

TECHNICAL MANUAL

**OPERATOR'S, ORGANIZATIONAL, DIRECT SUPPORT,
AND GENERAL SUPPORT MAINTENANCE MANUAL**

LOGIC ANALYZER

TEKTRONIX MODELS 318/338



5

SAFETY STEPS TO FOLLOW IF SOMEONE IS THE VICTIM OF ELECTRICAL SHOCK

1

DO NOT TRY TO PULL OR GRAB THE INDIVIDUAL

2

IF POSSIBLE, TURN OFF THE ELECTRICAL POWER

3

IF YOU CANNOT TURN OFF THE ELECTRICAL POWER, PULL, PUSH, OR LIFT THE PERSON TO SAFETY USING A DRY WOODEN POLE OR A DRY ROPE OR SOME OTHER INSULATING MATERIAL

4

SEND FOR HELP AS SOON AS POSSIBLE

5

AFTER THE INJURED PERSON IS FREE OF CONTACT WITH THE SOURCE OF ELECTRICAL SHOCK, MOVE THE PERSON A SHORT DISTANCE AWAY AND IMMEDIATELY START ARTIFICIAL RESUSCITATION

WARNING

WARNING

THE FOLLOWING SERVICING INSTRUCTIONS ARE FOR USE BY QUALIFIED PERSONNEL ONLY. TO AVOID PERSONAL INJURY, DO NOT PERFORM ANY SERVICING OTHER THAN THAT CONTAINED IN OPERATING INSTRUCTIONS UNLESS YOU ARE QUALIFIED TO DO SO.

Copyright c 1984 Tektronix, Inc. All rights reserved. Contents of this publication may not be reproduced in any form without the written permission of Tektronix, Inc.

Products of Tektronix, Inc. and its subsidiaries are covered by U.S. and foreign patents and/or pending patents.

TEKTRONIX, TEK, SCOPE-MOBILE, and  are registered trademarks of Tektronix, Inc. TELEQUIPMENT is a registered trademark of Tektronix U.K. Limited.

Printed in U.S.A. Specification and price change privileges are reserved.

**Tektronix, Inc.
Walker Road Industrial Park
P.O. Box 4600
Beaverton, Or. 97075**

The commercial manuals cited in paragraph la contain copyright material reproduced by permission of the TEKTRONIX, INC., BEAVERTON, OR 97075

TECHNICAL MANUAL)
)
No. 11-6625-3145-14)

TM 11-6625-3145-14
HEADQUARTERS
DEPARTMENT OF THE ARMY
Washington, DC, 12 September 1985

**OPERATOR'S, ORGANIZATIONAL,
DIRECT SUPPORT, AND GENERAL SUPPORT
MAINTENANCE MANUAL
LOGIC ANALYZER
TEKTRONIX MODELS 318/338**

REPORTING ERRORS AND RECOMMENDING IMPROVEMENTS

You can help improve this manual. If you find any mistakes, or if you know of a way to improve the procedures, please let us know. Mail your letter, DA Form 2028 (Recommended Change to Publications and Blank Forms), or DA Form 2028-2 located in the back of this manual direct to: Commander, US Army Communications-Electronics Command and Fort Monmouth, ATTN: AMSEL-ME-MP, Fort Monmouth, NJ 07703-5007.

In either case, a reply will be furnished direct to you.

TABLE OF CONTENTS

Section		Page
0	INTRODUCTION	
	0-1 Scope	0-1
	0-2 Consolidated Index of Army Publications and Blank Forms	0-1
	0-3 Maintenance Forms, Records and Reports	0-1
	0-4 Reporting Equipment Improvement Recommendations (EIR)	0-1
	0-5 Administrative Storage	0-1
	0-6 Destruction of Army Electronics Material	0-1

MANUAL REVISION STATUS

PRODUCT: 318/338 Logic Analyzer Service Manual
This manual supports the following versions of this product: All

REV DATE	DESCRIPTION
<p>JAN 1984 NOV 1984</p>	<p>Original Issue Revised Printing: Pages-X1, 1-3, 5-2,-15,-49,-50 and -51, Tab-Fig. 4 Accessories page, Fig. 9-11, Electrical Parts List, Diagrams < 5>and <6></p>

TABLE OF CONTENTS

	Page
LIST OF ILLUSTRATIONS.....	xv
LIST OF TABLES	xix
OPERATOR'S SAFETY SUMMARY.....	xxi
SERVICE SAFETY SUMMARY	xxiii
Section 1 INTRODUCTION AND SPECIFICATIONS	
INTRODUCTION	1-1
DESCRIPTION	1-1
MODES OF OPERATION	1-1
CONFIGURATIONS	1-2
RELATED DOCUMENTS	1-2
STANDARD AND OPTIONAL ACCESSORIES	1-3
Standard Accessories	1-3
Options	1-3
Optional Accessories.....	1-3
SPECIFICATIONS.....	1-4
Section 2 OPTIONS	
Section 3 OPERATING INSTRUCTIONS	
INTRODUCTION	3-1
INSTALLATION	3-1
Power Requirements	3-1
Power Cord.....	3-1
MENU CHARACTERISTICS	3-2
Power-Up Configuration Display	3-2
Menus and Submenus	3-2
Menu Default Displays.....	3-2
Menu Fields and the Edit Cursor.....	3-2
Error Message and Acquisition Status Readout.....	3-3
Major Mode Selection Field.....	3-3
Inputs During Acquisition.....	3-3
MENU FUNCTIONS	3-3
Setup Menu	3-3
Threshold Menu	3-3
Trigger Menu	3-4
State Table Menu	3-4
Timing Diagram Menu (Parallel Only)	3-4
Character Menu (Serial Only) (318S1/338S1).....	3-4
Remote (RMT) Menu (318S1/338S1)	3-4
Non-Volatile (NVM) Menu (318S1/338S1)	3-4

TABLE OF CONTENTS (cont.)

Section 3 OPERATING INSTRUCTIONS (cont.)

DIAGNOSTICS..... 3-5

 Power-Up Self Test 3-5

 Diagnostics Menu 3-6

 User-Changeable Fields for Each Test's Display 3-6

 Diagnostic Test Descriptions..... 3-8

 KBD Test 3-8

 CRT Test 3-8

 CLK Test 3-10

 WR Test 3-10

 ACQ Test..... 3-11

 SQRAM Test 3-11

 N&DLY Test 3-12

 SEQ Test..... 3-12

 THRSH Test..... 3-13

 External Clock Probe Compensation 3-13

 P6107 Probe Assignment and Compensation for the
 318S1 and 338S1 3-14

 SER Test 3-15

 RMT Test 3-16

 NVM Test 3-17

Section 4 THEORY OF OPERATION

SECTION ORGANIZATION 4-1

DIGITAL LOGIC CONVENTIONS 4-1

GENERAL SYSTEM DESCRIPTION 4-1

Acquisition Module..... 4-2

 Parallel Data Inputs (A01 AND A02) 4-2

 P6451 Parallel Data Probe..... 4-2

 P6107 External Clock Probe 4-2

 Data Buffers, Delay Lines, and First Lactches 4-3

 External Clock Circuit..... 4-3

 Clock Selector 4-3

 Word Recognizer 4-3

 Threshold Circuit 4-3

Acquisition Control Board (A03) 4-3

 Qualifier Selector..... 4-3

 Strobe Generator..... 4-3

 Trigger Sequencer..... 4-3

 Event/Delay Counter 4-3

Acquisition Memory Board (A04)..... 4-3

 100 MHz Oscillator 4-3

 Sampled Data RAM and Glitch RAM 4-3

 Acquisition Address Counter and Carry Flag F-F..... 4-3

 Output Multiplexer 4-3

TABLE OF CONTENTS (cont.)

Section 4 THEORY OF OPERATION (cont.)

Mainframe..... 4-4

 ROM/Threshold Board (A05)..... 4-4

 ROM..... 4-4

 Threshold Circuit..... 4-4

 MPU/Display Board (A06)..... 4-4

 Microprocessor..... 4-4

 RAMs..... 4-4

 Display Controller and Character ROM..... 4-4

 Bus Buffer..... 4-4

 Key Control Logic..... 4-4

 Mother Board (A08)..... 4-4

 Keyboard (A09)..... 4-4

 CRT Board (A10)..... 4-4

 CRT..... 4-4

 CRT Circuit..... 4-4

 Power Supply (A11 AND A12)..... 4-5

 Left-Side Panel..... 4-5

 318S1/338S1 (A07)..... 4-5

 Serial Input Comparator..... 4-5

 Serial I/O Controller..... 4-5

DETAILED CIRCUIT DESCRIPTIONS FOR THE 318..... 4-5

318 A01 Input A Board <1> <2> A02 Input B Board <3> <4>..... 4-5

 Overview..... 4-5

 Address Decoder <2>..... 4-6

 External Clock Input <4>..... 4-6

 External Clock Comparator <4>..... 4-6

 Clock Selector <4>..... 4-6

 Glitch Control <2> <3> <4>..... 4-7

 Pipeline Register <1> <3>..... 4-7

 Word Recognizer <1> <2> <3>..... 4-7

 Data Threshold Buffer <4>..... 4-7

 Probe Compensation <4>..... 4-8

318 A03 ACQ Control Board <5> <6> <7>..... 4-8

 I/O Address Decoder <6>..... 4-10

 Qualify/SQRAM Data Register <5>..... 4-11

 Qualify Logic <5> <6>..... 4-12

 START/STOP Logic <6>..... 4-12

 Trigger Qualify Flip-Flop <6>..... 4-12

 Retiming Clock <6>..... 4-12

 Clock Qualify Flip-Flop <6>..... 4-12

 Strobe Generator <6>..... 4-12

 External or Glitch Trigger Circuit <7>..... 4-13

 Retiming Flip-Flop <6>..... 4-13

 Address Buffer <7>..... 4-14

 Trigger Sequencer RAM <7>..... 4-14

TABLE OF CONTENTS (cont.)

Section 4 THEORY OF OPERATION (cont.)

Trigger Sequencer Flag <7> 4-14

 N Flag Circuit..... 4-14

 TRIG'D Flag Circuit 4-15

 SUCCEED Flag Circuit..... 4-15

 STOP Flag Circuit 4-15

SGRAM Data/Word Recognizer Data Multiplexer <7>..... 4-15

LSI-A A03U158 <7> 4-15

 Address Decoder..... 4-15

 N Register 4-16

 DL Register 4-16

 Mask Register 4-16

 Event/Delay Counter 4-16

 ACQ Status Logic..... 4-16

318 A04 ACQ Memory Board <8> <9>..... 4-17

 Acquisition Memory and ACQ Address Counter <8> 4-17

 Chip Select Latch 4-17

 Acquisition Memory 4-18

 ACQ Address Counter and Carry Latch 4-18

 Timebase and MPU Bus Interface <9> 4-19

 TTL-to-ECL Translator 4-19

 Address Decoder..... 4-19

 Oscillator 4-19

 Divider, Timer, and Slow Clock Detector 4-19

 INTCLK Buffer 4-19

 Data Selector..... 4-19

 ECL-to-TTL Translator and TTL Bus Buffer 4-19

 Full Valid Flag Latch..... 4-20

 LSI-B (A04U 140) 4-20

318/338 A05 ROM/Threshold Board --<10>..... 4-24

 ROM Circuitry 4-24

 Threshold Circuit 4-25

 D/A Converter..... 4-25

 Analog Switches..... 4-25

318/338 A06 MPU/Display Board <11> 4-27

 MPU 4-27

 RAM 4-27

 Bus Drivers 4-27

 Keyboard and Keyboard Controller 4-27

 Interrupt Gates 4-27

 Display Controller 4-27

318/338 A07 Serial, Non-Volatile Memory, RS-232C <17> <18> 4-30

 Serial Input <17> 4-30

 Input Comparator 4-30

 Offset Adjust..... 4-30

 Clock-Level Translator 4-30

TABLE OF CONTENTS (cont.)

Section 4 THEORY OF OPERATION (cont.)

Non-Volatile Memory <17>..... 4-30
 Threshold Voltage Detector..... 4-30
 Chip Select Controller 4-30
 Battery Switch..... 4-31
 Battery Voltage Checker 4-31
 Random Access Memory 4-31
 Serial Data Acquisition <18> 4-32
 Data Bus Buffer 4-32
 I/O Selector 4-32
 Baud-Rate Selector..... 4-32
 External Trigger Latch and Data Polarity 4-33
 Serial I/O Controller..... 4-33
 RS-232 Control <18>..... 4-34
 Baud-Rate Selector 4-34
 Level Converter 4-34
 Serial I/O Controller..... 4-34
 318/338 A10 CRT Board <14> 4-35
 Z-Axis Amplifier 4-35
 Horizontal Sweep Generator 4-36
 Vertical Sweep Generator 4-37
 318/338 A11 Power Supply <15> <16>..... 4-37
 Line Input <15>..... 4-37
 Inverter Start Network <15> 4-38
 Inverter Control <16>..... 4-39
 Regulator 4-39
 Dead Time Controller 4-39
 Over/Under Voltage Protection <16> 4-39
 Low Voltage Rectifiers and Regulators <16> 4-39
 +12 Volt and -12 Volt Supplies..... 4-39
 -3.3 Volt Supply 4-39
 +5 Volt Supply 4-40
 Fan Circuit and Fan <16>..... 4-40
 DETAILED CIRCUIT DESCRIPTIONS FOR THE 338 4-40
 338A01 Input A Board <19> <20> A02InputBBoard <21> <22> 4-40
 Overview 4-40
 Address Decoder <20> 4-40
 Glitch Control (CH 0-7) <21>..... 4-41
 Word Recognizer <19> <21> 4-42
 Threshold Buffer <22>..... 4-42
 Probe Compensation <21> <22> 4-42
 338 A03 ACQ Control Board <5> <6> <7>..... 4-42
 I/O Address Decoder <6>..... 4-44
 Qualify/SQRAM Data Register <5>..... 4-45
 Qualify Logic <5>..... 4-46

TABLE OF CONTENTS (cont.)

Section 4 THEORY OF OPERATION (cont.)

START/STOP Logic <6>	4-46
Trigger Qualify Flip-Flop <6>.....	4-46
Retiming Clock <6>	4-46
Clock Qualify Flip-Flop <6>	4-46
Strobe Generator <6>.....	4-47
External or Glitch Trigger Circuit <7>	4-47
Retiming Flip-Flop <6>	4-47
Address Buffer <7>	4-48
Trigger Sequencer RAM <7>	4-48
Trigger Sequencer Flag <7>	4-48
N Flag Circuit.....	4-49
TRIG'D Flag Circuit	4-49
SUCCEED Flag Circuit.....	4-49
STOP Flag Circuit	4-49
SQRAM, Data/Word Recognizer, Data Multiplexer <7>.....	4-49
LSI A A03U158 <7>.....	4-49
Address Decoder.....	4-50
N Register	4-50
DL Register	4-50
Mask Register	4-50
Event/Delay Counter	4-50
ACQ Status Logic.....	4-50
338 A04 ACQ Memory Board <8> <9>.....	4-52
Acquisition Memory and ACQ Address Counter <8>	4-52
Chip Select Latch	4-52
Acquisition Memory	4-52
ACQ Address Counter and Carry Latch	4-53
Timebase and MPU Bus Interface <9>	4-53
TTL-to-ECL Translator	4-53
Address Decoder.....	4-53
Oscillator	4-53
Divider, Timer, and Slow Clock Detector	4-53
INTCLK Buffer	4-53
Data Selector.....	4-53
ECL-to-TTL Translator and TTL Bus Buffer	4-55
Full Valid Flag Latch.....	4-55
LSI-B A04U140	4-55

TABLE OF CONTENTS (cont.)

Section 5 VERIFICATION AND ADJUSTMENT PROCEDURES

INTRODUCTION 5-1

318/338 MULTI-PROBE TEST FIXTURE 5-1

TEST SETUP INFORMATION 5-4

 Suggested Test Instruments 5-4

FUNCTIONAL CHECK PROCEDURES FOR THE 318..... 5-6

 Index of Functional Checks 5-7

 Mainframe and Parallel Analyzer..... 5-7

 Check 1. Power-up Diagnostics 5-7

 Check 2. Keyboard..... 5-7

 Check 3. CRT 5-8

 Check 4. Threshold Voltage 5-9

 Check 5. Parallel Data Acquisition with Test Output..... 5-11

 Check 6. Glitch Data Acquisition with Test Output..... 5-18

 Check 7. Serial State Analyzer Check for the 318 5-19

ADJUSTMENT PROCEDURES FOR THE 318 5-22

 Introduction..... 5-22

 Index of Adjustment Steps 5-23

 Mainframe 5-23

 Parallel Analyzer..... 5-27

 Serial State Analyzer 5-39

PERFORMANCE CHECK FOR THE 318 5-43

 Index of Performance Checks 5-43

 The Performance Checks 5-43

 Test 1. Threshold Voltages 5-43

 Test 2. Parallel Data Acquisition Word Recognition and Trigger
 Sequencer Check with External Clock Minimum Period 5-47

 Test 3. Glitch Data Acquisition and Glitch Trigger 5-55

 Test 4. Start Output and Trigger Output Test..... 5-58

 Test 5. External Trigger Input Test..... 5-59

 Test 6. Serial State Analyzer (318S1)..... 5-60

FUNCTIONAL CHECK PROCEDURES FOR THE 318..... 5-63

 Index of Functional Checks 5-63

 Mainframe and Parallel Analyzer..... 5-64

 Check 1. Power-up Diagnostics 5-64

 Check 2. Keyboard..... 5-64

 Check 3. Crt 5-64

 Check 4. Threshold Voltage 5-66

 Check 5. Parallel Analyzer Check with Test Output..... 5-67

 Check 6. Glitch Data Acquisition Using Test Output..... 5-74

 Check 7. Serial State Analyzer Check for the 338S1..... 5-75

ADJUSTMENT PROCEDURES FOR THE 338 5-77

 Introduction..... 5-77

 Index of Adjustment Steps 5-78

TABLE OF CONTENTS (cont.)

Section 5 VERIFICATION AND ADJUSTMENT PROCEDURES (cont.)

Mainframe 5-79

 1. Adjust Power Supplies 5-79

 2. Adjust CRT Circuit..... 5-81

 3. Adjust Threshold Voltages on the A05 ROM Board..... 5-82

Parallel Analyzer..... 5-84

 4. Adjust Threshold Voltages on the A02 Input-B Board..... 5-84

 5. Probe Compensation for the P6107 External Clock Probe 5-86

 6. Adjust Ext Clk ↑ and Ext Clk ↓ Delay 5-87

 7. Adjust delay of RET CLK, WE, ADRS CLK and TRIG CLK..... 5-89

Serial State Analyzer 5-93

 8. Adjust Threshold Voltages on the A07 Board 5-93

 9. Adjust Input Capacitance and Serial Data Probe Compensation..... 5-95

 10. Adjust Non-Volatile Memory Battery Backup Threshold 5-98

PERFORMANCE CHECK FOR THE 338 5-98

 Index of Performance Checks 5-98

 Test 1 - Threshold Voltages 5-99

 Setup 5-99

 Threshold Level TTL 5-101

 Threshold Levels V1, V2, and V3..... 5-101

 Test 2 - Parallel Data Acquisition, Word Recognition, and Trigger Sequencer Checks with External Clock Minimum Period 5-102

 Test 3 - Glitch Data Acquisition and Glitch Trigger 5-111

 Setup 5-112

 Negative Glitch..... 5-114

 Test 4 - Start Output and Trigger Output..... 5-114

 Test 5 - External Trigger Input..... 5-116

 Test 6 - Serial State Analyzer (338S1)..... 5-117

Section 6 MAINTENANCE: GENERAL INFORMATION

TROUBLESHOOTING TREES 6-1

TEST EQUIPMENT REQUIRED FOR MAINTENANCE 6-1

TOOLS REQUIRED FOR MAINTENANCE 6-1

MAINTENANCE PRECAUTIONS 6-1

 Soldering 6-1

 Light-Emitting Diodes (LEDs) 6-2

 Static Precautions..... 6-2

 Lithium Battery Replacement 6-3

PREVENTIVE MAINTENANCE..... 6-3

 Exterior Cleaning 6-3

 Interior Cleaning 6-4

 Cleaning Guidelines 6-4

 Inspection 6-4

TABLE OF CONTENTS (cont.)

Section 6 MAINTENANCE: GENERAL INFORMATION (cont.)

CORRECTIVE MAINTENANCE..... 6-5
 Obtaining Replacements..... 6-5
 Acquisition Boards and Probes 6-5
 Repairing Multi-Conductor Connectors 6-5
 Circuit Board Pin Replacement 6-6
 DISASSEMBLY/INSTALLATION PROCEDURES 6-7
 General Disassembly Precautions 6-7
 Circuit Board Locations 6-7
 Component Locations 6-7
 Removing and Replacement Instructions..... 6-8
 Removing the Cabinet..... 6-9
 Removing the Front Panel..... 6-9
 Removing the Keyboard..... 6-10
 Removing the Power Supply Circuit Boards 6-10
 Removing the CRT Circuit Board 6-12
 Removing the Cathode-Ray Tube (CRT)..... 6-12

Section 7 MAINTENANCE: TROUBLESHOOTING

318 DIAGNOSTIC TEST DESCRIPTIONS 7-1
 Index of 318 Diagnostic Test Descriptions 7-1
 318 Diagnostic Test Common Signal Paths..... 7-1
 Mainframe 7-3
 1. Keyboard Test 7-3
 2. CRT Test..... 7-4
 3. Jump Table ROM Test 7-6
 4. Display RAM Test..... 7-7
 5. System RAM Test 7-8
 6. ROM Test..... 7-9
 Parallel Analyzer..... 7-11
 7. Clock Test 7-11
 8. Word Recognizer Test 7-13
 9. Acquisition RAM Test 7-17
 10. Sequence RAM Test 7-20
 11. N & Delay Test 7-23
 12. Threshold Test 7-26
 13. SEQ Test..... 7-28
 318S1 Serial Analysis/RS232C/NVM..... 7-29
 14. Battery Test..... 7-29
 15. Non-Volatile Memory Test..... 7-30
 16. RS-232 Test 7-30
 17. Serial Test 7-32
 Option I/O Function List..... 7-33
 318 TROUBLESHOOTING TREES 7-39

TABLE OF CONTENTS (cont.)

Section 7 MAINTENANCE: TROUBLESHOOTING (cont.)

338 DIAGNOSTIC TEST DESCRIPTIONS 7-93

 Index of 338 Diagnostic Test Descriptions 7-93

 338 Diagnostic Test Common Signal Paths 7-93

 Mainframe 7-95

 1. Keyboard Test 7-95

 2. CRT Test 7-96

 3. Jump Table ROM Test 7-98

 4. Display RAM Test 7-99

 5. System RAM Test 7-100

 6. ROM Test 7-100

 Parallel Analyzer 7-104

 7. Clock Test 7-104

 8. Word Recognizer Test 7-106

 9. ACQ RAM Test 7-110

 10. SGRAM Test 7-113

 11. N & DELAY Test 7-116

 12. Threshold Test 7-119

 13. SEQ Test 7-121

 338S1 Serial Analysis/RS232C/NVM 7-122

 14. Battery Test 7-122

 15. Non-Volatile Memory Test 7-122

 16. RS-232 Test 7-123

 17. Serial Test 7-124

 Option I/O Function List 7-126

338 TROUBLESHOOTING TREES 7-133

Section 8 REPLACEABLE ELECTRICAL PARTS 8-1

Section 9 DIAGRAMS 9-1

Section 10 REPLACEABLE MECHANICAL PARTS 10-1

Appendix A REFERENCES A-1

Appendix B INTRODUCTION B-1

Appendix C ERROR AND ACQUISITION STATUS MESSAGES C-1

Appendix D MAINTENANCE ALLOCATION D-1

Appendix E ERROR CODES E-1

LIST OF ILLUSTRATIONS

Figure		Page
3-1	Failure in the power-up Self Test	3-6
3-2	Successful completion of the power-up Self Test	3-6
3-3	Diagnostics menu: first display	3-7
3-4	Display sample with ALL/SINGLE and data entry fields.....	3-7
3-5	Display sample with LOOP and DISP fields.....	3-7
3-6	Display for KBD tests.....	3-8
3-7	CRT test: first display	3-8
3-8	CRT test: second display	3-9
3-9	CRT test: third display	3-9
3-10	CRT test: fourth display	3-9
3-11	Display for CLK tests.....	3-10
3-12	Display for word recognizer's RAM tests.....	3-10
3-13	Display for acquisition's RAM tests	3-11
3-14	Display for trigger sequencer's RAM tests	3-11
3-15	Display for N counter or DLY counter tests	3-12
3-16	Display for overall tests on parallel acquisition.....	3-12
3-17	Display for threshold tests	3-13
3-18	Setup of probe compensation	3-13
3-19	Display for probe compensation.....	3-14
3-20	Setup for serial tests.....	3-15
3-21	Display for serial tests	3-15
3-22	Setup for remote tests	3-16
3-23	Display for remote tests.....	3-16
3-24	Display for non-volatile memory tests	3-17
4-1	318 Input A and Input B block diagram	4-8
4-2	318 Simplified diagram of the ACQ control circuitry on schematics <5> and <6>	4-9
4-3	318 Simplified diagram of the ACQ control circuitry on schematic <7>	4-10
4-4	318 SGRAM data register format	4-11
4-5	318 Qualify register format	4-11
4-6	318 Simplified diagram of the acquisition memory and ACQ address counter circuit	4-18
4-7	318 Simplified diagram of the timebase and MPU bus interface circuit	4-23
4-8	318 Timing diagram of the slow-clock detector and timer circuit	4-24
4-9	318/338 Simplified diagram of the ROM and threshold circuits	4-26
4-10	318/338 Simplified diagram of the MPU/Display board.....	4-29
4-11	318/338 Simplified diagram of the serial acquisition and RS-232C circuit.....	4-31
4-12	318/338 Simplified diagram of the CRT circuit.....	4-35
4-13	318/338 Simplified diagram and waveform of the horizontal sweep generator.....	4-36
4-14	318/338 Simplified diagram of the power supply circuit	4-38
4-15	338 Input A and Input B block diagram	4-41
4-16	338 Simplified diagram of the ACQ control circuitry on schematics <5> and <6>	4-43
4-17	338 Simplified diagram of the ACQ control circuitry on schematic <7>	4-44
4-18	338 SGRAM data register format	4-45

LIST OF ILLUSTRATIONS (cont.)

Figure		Page
4-19	338 Qualify register format	4-45
4-20	338 Simplified diagram of the acquisition memory and ACQ address counter circuit	4-52
4-21	338 Simplified diagram of the timebase and MPU interface circuit.....	4-54
4-22	338 Timing diagram of the slow-clock detector and timer circuit	4-55
5-1	Test fixture construction diagram	5-2
5-2	Assembled test fixture	5-3
5-3	318 Successful power-on diagnostic display.....	5-7
5-4	318 Keyboard test display	5-7
5-5	318 CRT test cross-hatch pattern	5-8
5-6	318 CRT test white pattern.....	5-8
5-7	318 CRT test parallel acquisition character fonts.....	5-8
5-8	318 CRT test serial acquisition character fonts.....	5-8
5-9	318 Parallel data acquisition check setup	5-11
5-10	318 External trigger check setup	5-13
5-11	318 Trigger qualifier check setup	5-16
5-12	318 Setup for serial data analysis	5-20
5-13	318 Setup for RS-232C control	5-21
5-14	318 Power supply adjustment	5-24
5-15	318 CRT adjustment	5-25
5-16	318 Threshold voltage adjustment on the ROM board (A05).....	5-27
5-17	318 Threshold voltage adjustments on the Input B board (A02).....	5-29
5-18	318 Test equipment setup for the clock delay adjustment	5-32
5-19	318 EXT CLK and DLD CLK signal adjustment locations	5-33
5-20	318 RET CLK, WE, ADRS CLK, and TRIG CLK adjustments	5-38
5-21	318 Capacitor adjustment oscilloscope setup waveform	5-38
5-22	318 Capacitor adjustment waveform.....	5-38
5-23	318 Serial analysis/RS-232C/NVM test points and adjustment locations	5-39
5-24	318 Side view of A07, Serial analysis'RS-232C/,NVM board.....	5-40
5-25	318 Input capacitance adjustment setup.....	5-42
5-26	318 Input capacitance waveform.....	5-42
5-27	318 Threshold voltage check setup.....	5-44
5-28	318 Parallel data acquisition test setup.....	5-48
5-29	318 Parallel data acquisition test waveform #1	5-50
5-30	318 Parallel data acquisition test waveform #2.....	5-50
5-31	318 Glitch data acquisition test setup.....	5-56
5-32	318 Glitch data acquisition test waveform #1.....	5-57
5-33	318 Glitch data acquisition test waveform #2.....	5-57
5-34	318 Serial state analyzer performance test setup.....	5-61
5-35	338 Successful power-on diagnostic display.....	5-64
5-36	338 Keyboard test display	5-64
5-37	338 CRT test cross hatch display.....	5-65
5-38	338 CRT test white pattern.....	5-65
5-39	338 CRT test parallel acquisition character fonts.....	5-65
5-40	338 CRT test serial acquisition character fonts.....	5-65
5-41	338 Parallel data acquisition check setup	5-69

LIST OF ILLUSTRATIONS (cont.)

Figure		Page
5-42	338 External trigger check setup	5-71
5-43	338 Trigger qualifier check setup	5-73
5-44	338 Setup for serial data analysis	5-76
5-45	338 Setup for RS-232C control	5-77
5-46	338 Power supply adjustment	5-80
5-47	338 CRT adjustment	5-81
5-48	338 Threshold voltage adjustment on the ROM board	5-83
5-49	338 Threshold voltage adjustment on the (A02) Input B board	5-85
5-50	338 Test equipment setup for the clock delay adjustment	5-89
5-51	338 RET CLK, WE, ADRS CLK, and TRIG CLK adjustments	5-91
5-52	338 Capacitor adjustment oscilloscope setup waveform	5-93
5-53	338 Capacitor adjustment waveform	5-93
5-54	338 Serial analysis/RS-232C/NVM test points and adjustment locations	5-94
5-55	338 Side view of A07, Serial analysis/RS-232C/NVM board	5-95
5-56	338 Input capacitance adjustment	5-97
5-57	338 Input capacitance waveform	5-97
5-58	338 Threshold voltage check setup	5-100
5-59	338 Parallel data acquisition test setup	5-106
5-60	338 Parallel data acquisition test waveform #1	5-106
5-61	338 Parallel data acquisition test waveform #2	5-106
5-62	338 Glitch data acquisition test setup	5-112
5-63	338 Glitch data acquisition test waveform #1	5-113
5-64	338 Glitch data acquisition test waveform #2	5-114
5-65	338 Serial state analyzer performance test setup	5-117
6-1	Multi-conductor terminal connectors	6-6
6-2	Circuit board pin replacement	6-6
6-3	318/338 circuit board locations	6-8
6-4	Cabinet removal	6-9
6-5	Power supply removal	6-11
7-1	318 Keyboard test schematic	7-4
7-2	318 CRT calibration and check	7-5
7-3	318 Memory map	7-6
7-4	318 MPU memory address assignment	7-7
7-5	318 A03 and A04 partial ACQ address assignment	7-10
7-6	318 Clock test	7-13
7-7	318 Word recognizer test	7-16
7-8	318 ACQ memory test	7-19
7-9	318 SGRAM test	7-22
7-10	318 N and Delay counter test	7-25
7-11	318 Threshold test	7-28
7-12	Troubleshooting Tree 1: Power On	7-39
7-13	Troubleshooting Tree 2: Startup Self Test	7-40
7-14	Troubleshooting Tree 3: Power Supplies A11, A12	7-41
7-15	Troubleshooting Tree 4: CRT A10	7-43
7-16	Troubleshooting Tree 5: MPU A06	7-47

LIST OF ILLUSTRATIONS (cont.)

Figure	Page
7-17 Troubleshooting Tree 6: Clock A04.....	7-52
7-18 Troubleshooting Tree 7: Word Recognizer (WR A01 A02)	7-54
7-19 Troubleshooting Tree 8: Data Acquisition (ACQ A01 A02)	7-57
7-20 Troubleshooting Tree 9: SGRAM A03.....	7-63
7-21 Troubleshooting Tree 10: N&DL A03	7-67
7-22 Troubleshooting Tree 11: SEQ A03	7-69
7-23 Troubleshooting Tree 12: T/H A01, A02.....	7-73
7-24 Troubleshooting Tree 13: T/H A04	7-74
7-25 Troubleshooting Tree 14: SER A07 (TSTSR2)	7-75
7-26 Troubleshooting Tree 15: RMT A07 (TSTRM2)	7-79
7-27 Troubleshooting Tree 16: Non-Volatile Memory (NVM A07).....	7-83
7-28 Troubleshooting Tree 17: Can't Get Glitch.....	7-85
7-29 Troubleshooting Tree 18: Can't Get Good Data.....	7-86
7-30 Troubleshooting Tree 19: Diagnostics Pass Can't Stop.....	7-88
7-31 Troubleshooting Tree 20: Can't Get Glitch Trigger	7-90
7-32 Troubleshooting Tree 21: Test Output - Doesn't Work	7-91
7-33 338 Keyboard test schematic	7-96
7-34 338 CRT calibration and check	7-97
7-35 338 Memory map	7-98
7-36 338 MPU memory address assignment	7-101
7-37 338 A03 and A04 partial ACQ address assignment.....	7-103
7-38 338 Clock test.....	7-105
7-39 338 Word recognizer test	7-109
7-40 338 ACQ memory test.....	7-112
7-41 338 SGRAM test	7-114
7-42 338 N and Delay counter test.....	7-118
7-43 338 Threshold test.....	7-119
7-44 Troubleshooting Tree 1: Power On	7-133
7-45 Troubleshooting Tree 2: Self Test	7-134
7-46 Troubleshooting Tree 3: Power Supplies A11, A12	7-135
7-47 Troubleshooting Tree 4: CRT A10	7-137
7-48 Troubleshooting Tree 5: MPU A06.....	7-141
7-49 Troubleshooting Tree 6: Clock A04 (CLK)	7-146
7-50 Troubleshooting Tree 7: Word Recognizer (WR A01 A02)	7-148
7-51 Troubleshooting Tree 8: Data Acquisition (ACQ A01 A02)	7-152
7-52 Troubleshooting Tree 9: SGRAM A03.....	7-159
7-53 Troubleshooting Tree 10: NDL A03.....	7-163
7-54 Troubleshooting Tree 11: SEQ A03	7-165
7-55 Troubleshooting Tree 12: T/H A01, A02.....	7-169
7-56 Troubleshooting Tree 13: T/H A04	7-170
7-57 Troubleshooting Tree 14: SER A07 TSTSR2	7-171
7-58 Troubleshooting Tree 15: REMOTE A07 TSTRM2 (RMT)	7-175
7-59 Troubleshooting Tree 16: Non-Volatile Memory (NVM A07).....	7-179
7-60 Troubleshooting Tree 17: Can't Get Glitch.....	7-181
7-61 Troubleshooting Tree 18: Can't Get Good Data.....	7-182
7-62 Troubleshooting Tree 19: Diagnostics Pass Can't Stop.....	7-184
7-63 Troubleshooting Tree 20: Can't Get Glitch Trigger	7-185
7-64 Troubleshooting Tree 21: Test Output Doesn't Work	7-186

LIST OF TABLES

Figure		Page
1-1	318/338 Electrical Specifications.....	1-4
1-2	318/338 Environmental Specifications	1-16
1-3	318/338 Physical Specifications.....	1-17
4-1	318 LSI-A Input Signals.....	4-16
4-2	318 LSI-A Output Signals.....	4-17
4-3	318 LSI-B (A04U140) Input Signals	4-21
4-4	318 LSI-B (A04U140) Output Signals	4-21
4-5	Internal Clock (INTCLK)	4-22
4-6	Memory Map.....	4-24
4-7	I/O Map.....	4-25
4-8	Data Bus Buffer Control	4-32
4-9	Option I/O Device Addressing and Function	4-33
4-10	Programmable Bit-Rate Generator Outputs.....	4-34
4-11	338 LSI-A Input Signals.....	4-50
4-12	338 LSI-A Output Signals.....	4-51
4-13	338 LSI-B (A04U140) Input Signals	4-56
4-14	338 LSI-B (A04U140) Output Signals	4-56
4-15	338 Internal Clock (INTCLK)	4-57
5-1	Equipment needed for the Adjustment Procedures and the Performance Check Procedures	5-5
5-2	Minimum Specifications for Test Equipment	5-6
5-3	318 Adjustable Power Supply Tolerances.....	5-24
5-4	318 Non-adjustable Power Supply Tolerances	5-25
5-5	318 Clock Delay With Extender.....	5-37
5-6	318 Clock Delay Without Extender.....	5-37
5-7	318 Voltage Levels for Testing TTL	5-46
5-8	318 Voltage Levels for Testing V1, V2, and V3.....	5-46
5-9	318 Parallel Data Test Conditions and Expectations	5-51
5-10	318 Positive Glitch Pulse Generator Setup	5-57
5-11	318 Negative Glitch Pulse Generator Setup	5-58
5-12	318 Serial State Analyzer Test Setup.....	5-62
5-13	338 Adjustable Power Supply Tolerances.....	5-80
5-14	338 Non-adjustable Power Supply Tolerances	5-80
5-15	338 Data Threshold DC Balance.....	5-86
5-16	338 Clock Delay With Extender.....	5-92
5-17	338 Clock Delay Without Extender.....	5-93
5-18	338 Voltage Levels for Testing TTL	5-101
5-19	338 Voltage Levels for Testing V1, V2, and V3.....	5-102
5-20	338 Parallel Data Test Oscilloscope Setup	5-105
5-21	338 Parallel Data Test Pulse Generator Setup	5-105
5-22	338 Test Conditions and Expectations.....	5-107
5-23	338 Parallel Data Test Conditions and Expectations	5-107
5-24	338 Positive Glitch Pulse Generator Setup	5-113
5-25	338 Negative Glitch Pulse Generator Setup	5-114
5-26	338 Serial State Analyzer Test Setup.....	5-119

LIST OF TABLES (cont.)

Figure		Page
6-1	Relative Susceptibility of Semiconductors to Static Discharge Damage.....	6-3
7-1	318 Diagnostic Test Common Signal Paths.....	7-2
7-2	318 Keyboard Test Key Code and Interrupt Assignment.....	7-3
7-3	318 ROM Test Address Assignment.....	7-9
7-4	318 Clock Test Program Ranges.....	7-12
7-5	318 Word Recognizer Test Port Addresses.....	7-14
7-6	318 ACQ Test Port Addresses.....	7-17
7-7	318 SGRAM Test Port Addresses.....	7-21
7-8	318 SGRAM Test SGRAM Data Connections.....	7-21
7-9	318 SGRAM Test SGRAM Address Connections.....	7-22
7-10	318 Threshold Test Data Values.....	7-27
7-11	318 RS-232C Test I/O Addresses.....	7-31
7-12	318 Serial Test I/O Addresses.....	7-33
7-13	318 Serial Test Baud Select Bits.....	7-34
7-14	318 Diagnostic Test Failure Codes.....	7-36
7-15	338 Diagnostic Test Common Signal Paths.....	7-94
7-16	338 Keyboard Test Key Code and Interrupt Assignment.....	7-95
7-17	338 ROM Test Address Assignment.....	7-101
7-18	338 Clock Test Program Ranges.....	7-106
7-19	338 Word Recognizer Test Port Addresses.....	7-107
7-20	338 ACQ Test Port Addresses.....	7-111
7-21	338 SGRAM Test Port Addresses.....	7-113
7-22	338 SGRAM Test SGRAM Data Connections.....	7-115
7-23	338 SGRAM Test SGRAM Address Connections.....	7-115
7-24	338 Threshold Test Data Values.....	7-120
7-25	338 RS-232C Test I/O Addresses.....	7-124
7-26	338 Serial Test I/O Addresses.....	7-126
7-27	338 Serial Test Baud Select Bits.....	7-127
7-28	338 Diagnostic Test Failure Codes.....	7-129
E-1	Error Codes in Self Test.....	E-1
E-2	Error Codes of Parallel Tests in Diagnostics Menu.....	E-2
E-3	Error Codes of Serial Tests in Diagnostics Menu.....	E-3
E-4	Error Codes of Remote Tests in Diagnostics Menu.....	E-4
E-5	Error Codes of NVM Tests in Diagnostics Menu.....	E-5

OPERATOR'S SAFETY SUMMARY

The general safety information in this summary is for both operator and service personnel. Specific cautions and warnings are found throughout the manual where they apply, but may not appear in this summary.

TERMS IN THIS MANUAL

CAUTION statements identify conditions or practices that could result in damage to the equipment or other property.

WARNING statements identify conditions or practices that could result in personal injury or loss of life.

TERMS AS MARKED ON EQUIPMENT

CAUTION indicates a personal injury hazard not immediately accessible as one reads the marking, or a hazard to property including the equipment itself.

DANGER indicates a personal injury hazard immediately accessible as one reads the marking.



DANGER -High voltage.



3 Protective ground (earth) terminal.



ATTENTION - refer to manual.

GROUNDING THE PRODUCT

This product is intended to operate from a power source that does not apply more than 250 volts rms between the supply conductors or between either supply conductor and ground. This product is grounded through the grounding conductor of the power cord. To avoid electrical shock, plug the power cord into a properly wired receptacle before connecting to the product. A protective-ground connection by way of the grounding conductor in the power cord is essential for safe operation.

DANGER ARISING FROM LOSS OF GROUND

Upon loss of the protective-ground connection, all accessible conductive parts (including knobs and controls that may appear to be insulating) can render an electric shock.

USE THE PROPER POWER CORD

Use only the power cord and connector specified for your product, and be sure it is in good condition.

Refer to the *Operating Information* section of this manual for information on power cords and connectors.

USE THE PROPER FUSE

To avoid fire hazard, use only a fuse of the correct type, voltage rating, and current rating as specified in the parts list for this product. Also, ensure that the line selector switch is in the proper position for- the power source being used.

BATTERY REPLACEMENT

Refer lithium battery replacement to qualified service personnel.

DO NOT OPERATE IN EXPLOSIVE ATMOSPHERES

To avoid explosion. do riot operate this product in an explosive atmosphere unless it has been specifically certified for such operation.

SERVICE SAFETY SUMMARY

*FOR QUALIFIED SERVICE PERSONNEL ONLY
Refer also to the Operator's Safety Summary.*

DO NOT SERVICE ALONE

Do not perform internal service or adjustment of this product unless another person capable of rendering first aid and resuscitation is present.

USE CARE WHEN SERVICING WITH POWER ON

Dangerous voltages exist at several points in this product. To avoid personal injury, do not touch exposed connections and components while power is on. Disconnect power before removing protective panels, soldering, or replacing components.

USE CAUTION WHEN SERVICING THE CRT

The CRT should be serviced only by qualified personnel familiar with CRT servicing procedures and precautions.

CRTs retain hazardous voltages for long periods of time after power-down. Before attempting any work inside the monitor, discharge the CRT by shorting the anode to chassis ground. When discharging the CRT, connect the discharge path to ground and then the anode.

Use extreme caution when handling the CRT. Rough handling may cause it to implode. Do not nick or scratch the glass or subject it to undue pressure during removal or installation. When handling the CRT, wear safety goggles and heavy gloves for protection.

REMOVE LOOSE OBJECTS

During disassembly or installation procedures, screws or other small objects may fall to the bottom of the mainframe. To avoid shorting out the power supply, do not power up the instrument until such objects have been removed.

LITHIUM BATTERY REPLACEMENT

To avoid personal injury, observe proper procedures for handling and disposal of lithium batteries. Improper handling may cause fire, explosion, or severe burns. Don't recharge, crush, disassemble, heat the battery above 212° F (100° C), incinerate, or expose contents of the battery to water. Dispose of battery in accordance with local, state, and national regulations.

SECTION 0

INTRODUCTION

0-1. SCOPE

This manual describes Logic Analyzer, TEK Model 318/338 and provides instructions for operation and maintenance.

0-2. CONSOLIDATED INDEX OF ARMY PUBLICATIONS AND BLANK FORMS

Refer to the latest issue of DA Pam 310-1 to determine whether there are new editions, changes or additional publications pertaining to the equipment.

0-3. MAINTENANCE FORMS, RECORDS, AND REPORTS

a. Reports of Maintenance and Unsatisfactory Equipment. Department of the Army forms and procedures used for equipment maintenance will be those prescribed by DA Pam 738-750, as contained in Maintenance Management Update.

b. Report of Packaging and Handling Deficiencies. Fill out and forward SF 364 (Report of Discrepancy (ROD)) as prescribed in AR 735-11-2/DLAR 4140.55/NAVMATINST 4355.73A/AFR 400-54/MCO 4430-3F.

c. Discrepancy in Shipment Report (DISREP) (SF 361). Fill out and forward Discrepancy in Shipment Report (DISREP) (SF 361) as prescribed in AR 55-38/NAVSUPINST 4610.33C/AFR 75-18/MCO P4610.19D/DLAR 4500.15.

0-4. REPORTING EQUIPMENT IMPROVEMENT RECOMMENDATIONS (EIR)

If your Logic Analyzer, TEK Model 318/388 needs improvement, let us know. Send us an EIR. You, the user, are the only one who can tell us what you don't like about your equipment. Let us know why you don't like the design. Put it on an SF 368 (Quality Deficiency Report). Mail it to Commander, US Army Communications- Electronics Command and Fort Monmouth, ATTN: AMSEL-ME-MP, Fort Monmouth, NJ 07703-5007. We'll send you a reply.

0-5. ADMINISTRATIVE STORAGE

Administrative storage of equipment issued to and used by Army activities will have preventive maintenance performed in accordance with the PMCS charts before storing. When removing the equipment from administrative storage, the PMCS should be performed to assure operational readiness. Disassembly and repacking of equipment for shipment or limited storage are covered in section 6.

0-6. DESTRUCTION OF ARMY ELECTRONICS MATERIEL

Destruction of Army electronics materiel to prevent enemy use shall be in accordance with TM 750-244-2.

0-1/(0-2 blank)

INTRODUCTION AND SPECIFICATIONS

INTRODUCTION

This manual will help you service both the Sony/Tektronix 318 Logic Analyzer and the Sony/Tektronix 338 Logic Analyzer. The procedures and descriptions contained herein apply to both Instruments. Unless otherwise specified, all screen displays have been developed from the 338S1. The 338S1 contains all the basic features of the standard 338 plus the following additional features: serial state analysis, an RS-232C interface, and non-volatile memory.

DESCRIPTION

The Sony/Tektronix 318 and 338 are keyboard-controlled, multifunction, portable logic analyzers.

Each can operate as a parallel timing analyzer or a parallel state analyzer, and each is provided with composite video output. The Sony/Tektronix 318S1 and 338S1 provide several additional features: serial state analysis, RS-232C interface, and non-volatile memory.

The instruments are menu-driven systems. This means that all operations are set up via menus that are displayed on the monitor screen. There are three menus for setting up parallel data acquisition, three menus for setting up serial data acquisition, one menu for remote operation, one menu for non-volatile memory operation, and two menus for data display.

MODES OF OPERATION

When used as a parallel timing analyzer, the 318 provides a 16-channel-wide input, 50 MHz (maximum) clock speed, and 256 bits/channel memory for data. Glitches are captured on all 16 channels. The 338 provides a 32-channel-wide input, 20 MHz (maximum) clock speed, and 256 bits/channel memory for data. Glitches are captured on eight channels. Three word recognizers can be specified on all channels and used in several different triggering sequences. The digital delay counts up to 65,000 clock cycles. In the 318, data before or after the occurrence of a specified trigger sequence can be acquired and stored at sample intervals ranging from 20 ns to 500 ms with two lock and trigger qualifiers. In the 338, data before or after the occurrence of a specified trigger sequence can be acquired and stored at sample intervals ranging from 50 ns to 500 ms with four clock and trigger qualifiers. The stored data can be displayed on the CRT screen in a timing or state format.

A composite video output for hard-copy units or video terminals is provided. This feature allows documentation of test results and operating parameters.

As a serial state analyzer, the 318S1/338S1 acquires serial data in five, six, seven, eight, or nine bits/character in asynchronous or synchronous timing. Two continuous word recognizers provide triggering upon recognition of preset words. The digital delay counts up to 65,000 words. Data before or after the occurrence of a specified trigger sequence can be acquired and stored at baud rates ranging from 50 to 19.2K baud. The stored data is displayed on the CRT screen in binary, octal, decimal, hexadecimal, ASCII, or EBCDIC format.

The RS-232C interface port allows the 318S1/338S1 to be linked with terminal equipment through an asynchronous, full-duplex modem. In remote control mode, the 318S1/338S1 can receive all control commands, memory control commands, or reference memory data from the terminal equipment instead of the keyboard. It can send the CRT display information or memory data to the terminal equipment via the RS-232C port.

Introduction & Specifications-318/338 Service

The non-volatile memory can retain three setups and one set of reference or acquired data for about five years. Each memory area is selectable for the use of parallel or serial information. The current setup of the instrument is stored by keyboard control or control commands from the terminal. The stored setup information is recalled in the same manner. The data can be stored and recalled only by the 318S1/338S1 keyboard.

All functional parameters and operation of the instrument are programmable from the front panel or over the RS-232C port.

CONFIGURATIONS

The Sony/Tektronix 318/338 is available in the following configurations:

- 318 Logic Analyzer
- 338 Logic Analyzer
- 318S1 Logic Analyzer (with serial analysis, RS-232C interface, and non-volatile memory). A standard 318 can be upgraded to 318S1 status by installing the 318F1 package.
- 338S1 Logic Analyzer (with serial analysis, RS-232C interface, and non-volatile memory). A standard 338 can be upgraded to 338S1 status by installing the 338F1 upgrade package.

318F1 Package: Optional field-installable circuit board, probe, and connectors that upgrade the 318 Logic Analyzer to 318S1 status. The package adds serial analysis, an RS-232C interface, and non-volatile memory to the basic 318 features.

338F1 Package: Optional field-installable circuit board, probe, and connectors that upgrade the 338 Logic Analyzer to 338S1 status. The package adds serial analysis, an RS-232C interface, and non-volatile memory to the basic 338 features.

RELATED DOCUMENTS

In addition to this service manual, the 318/338 Operator's Manual, the 318/338 *Logic Analyzer Reference Guide*, and the *318/338 Logic Analyzer Workbook* will also help you understand and operate the 318/338.

STANDARD AND OPTIONAL ACCESSORIES**Standard Accessories:**

016-0697-00	Accessory Pouch
070-4433-00	<i>318/338 Logic Analyzer Operator's Manual</i>
070-4435-00	<i>318/338 Logic Analyzer Reference Guide</i>
070-7061-00	<i>318/338 Logic Analyzer Workbook</i>
010-6107-03	P6107 Probe (1 probe with 318/338) (2 probes with 318S1/338S1)
010-6451-07	P6451 Probe (2 probes with 318) (4 probes with 338)
161-0104-00	Power Cord

Options:

A1-A5	Power Cords
318F1/338F1	Field-installable upgrade package; adds serial analysis, RS-232C interface, and non-volatile memory to standard 318/338.

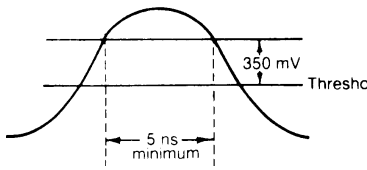
Optional Accessories:

070-4434-00	<i>318/338 Logic Analyzer Service Manual</i>
067-1159-00	Service Maintenance Kit
012-0530-00	Null Modem Cable
013-0173-01	Self Test Adapter
175-1178-00	Trig in/out Cable

SPECIFICATIONS

Tables 1-1 through 1-3 list the electrical, environmental, and physical characteristics of the 318, 338, 318S1, and 338S1 logic analyzers. The electrical characteristics are valid for logic analyzers that have been adjusted as described in this manual (refer to the Verification and Adjustment Procedures section). The instruments are adjusted at an ambient temperature between +20° to +30°C (+68° to 68° F), and are designed to operate in an ambient temperature between 0° to +50°C (+32° to +122°F) after having warmed up for at least 15 minutes.

Table 1-1.
318/338 ELECTRICAL SPECIFICATIONS

Characteristics	Performance Requirements	Supplemental Information
<p>PARALLEL ANALYZER FUNCTION</p> <p>Data Input (P6451 Probe)</p> <p>Channels</p> <p>Input R and C</p> <p>Minimum logic swing</p> <p>Maximum logic swing</p> <p>Maximum non-destructive</p> <p>Glitch data width</p> <p>Threshold V1 (0.1 V step variable) V2 (0.1 V step variable) V3 TTL</p>	<p>318 16 channels. Glitch data is detected on all 16 channels.</p> <p>338 32 channels. Glitch data is detected on low-order 8 channels (Pod A).</p> <p>1 MΩ ± 5%, paralleled by approx. 5 pF (without leads).</p> <p>500 mV p-p 4% of threshold voltage.</p> <p>-15 V to threshold voltage plus 10 V.</p> <p>± 40 V max.</p> <p>5 ns minimum with 350 mV overdrive from threshold.</p> <p>Voltage -10 V to +10 V -10 V to +10 V (V1 + V2) / 2 +1.4 V</p>	<p>See P6451 literature for more information.</p>  <p>Accuracy ±0.2 V ±0.2 V ±0.2 V ±0.2 V One of four levels is selectable for each pod.</p>

Introduction & Specifications-318/338 Service

Table 1-1 (cont.)
318/338 ELECTRICAL SPECIFICATIONS

Characteristics	Performance Requirements		Supplemental Information	
Sampling				
Clock source	internal or external			
External clock mode Typically: (using P6107 Probe)	318	338	318	338
Data setup time	13 ns min.	14 ns min.	8 ns	10 ns
Data hold time	0 ns max.	0 ns max.	-3 ns	-1 ns
Clock period, minimum	20 ns	50 ns		
Clock pulse width High-logic level Low-logic level External Clock	9 ns min. 9 ns min.	15 ns min. 15 ns min.		
Input R and C	10 MΩ ± 3% paralleled by approx. 13 pF at probe tip.		1.0 MΩ ±5% paralleled by approx. 20 pF at BNC	
Minimum logic swing	700 mV p-p centered on threshold voltage.			
Maximum logic swing± +20 V peak.				
Maximum non-destructive	400 V peak at probe tip. 40 V peak at BNC input connector.			
Threshold V1 (0.1 V step variable) V2 (0.1V step variable) V3 TTL	Voltage -10V to +10V -10 V to +10 V (V1 + V2) /2 +1.4 V		Accuracy ±0.23 V ± 0.23 V ± 0.23 V ± 0.23 V	
Clock polarity	+ or - edge			
Internal clock mode	318	338		
Sample interval	20 ns to 500 ms/ sample in 1-2-5 sequence.	50 ns to 500 ns/ sample in 1-2-5 sequence.		
Crystal oscillator			100 MHz + 0.005 MHz	
Data pulse width to ensure sampling, minimum	1 sample interval +5 ns			
Maximum data skew be- tween channels	10 ns max.	Typically: 5 ns		

Introduction & Specifications-318/338 Service

Table 1-1 (cont.)
318/338 ELECTRICAL SPECIFICATIONS

Characteristics	Performance Requirements	Supplemental Information
Data Memory Depth		
Acquisition memory	318 16 X 256 bits	338 32 X 256 bits
Reference memory	16 X 256 bits	32 X 256 bits
Glitch memory	16 X 256 bits	8 X 256 bits
Triggering		
Trigger source Internal trigger	internal, glitch, or external	Word trigger and glitch trigger are OR'ed together.
Word recognizer	Three: Word "A", Word "B", and Word "C"	Selected channels are AND'ed together.
Input	All data input channels from P6451 data acquisition probe.	
Bit condition selection	Logic 1, Logic 0, or X (don't care)	
Recognizer sequence	NXWA FLW'D BY THEN OR OFF WB FLW'D BY THEN OR RESET ON OFF WC N: number of WA events, 65,000 max.	
Glitch trigger		Selected channels are OR'ed together.
External trigger		
External trigger input	Mini-jack connector on the right side panel, TTL compatible.	
Threshold 1. Polarity Pulse width, min.	4 V nominal (TTL level) + or - edge 20 ns	

Introduction & Specifications-318/338 Service

Table 1-1 (cont.)
318/338 ELECTRICAL SPECIFICATIONS

Characteristics	Performance Requirements	Supplemental Information
Trigger position Begin Center End Delay	word 7 word 127 word 247 word 250 (when delay value is set to 0)	In delay mode, the trigger position is assigned by the user as follows: Trigger position = (250 - delay value).
Trigger position accuracy	± 1 clock	External trigger only.
Trigger mode	Immediately (first trigger) or After Memory Full	If instrument does not complete full memory acquisition before the end of store, a fraction of the display is indicated as "invalid" data on data display.
Trigger output	Initiated high when an internal trigger sequence, glitch trigger, or external trigger was detected. Reset on next acquisition start.	
Output level	TTL	0.7 V or less for low level output.
Voltage, maximum	+6 V	2.4 V or more for high level output.
Current, maximum		
High-logic level	-1 mA	
Low-logic level	2 mA	
Typical propagation delay	60 ns after the trigger event is clocked and detected with internal clock. 80 ns after the trigger event is clocked and detected with external clock. ± 1 clock interval when external trigger is used.	Measured from external clock input to trigger output. Measured from external trigger input to trigger output.
Qualifier		
Input	9th channel of each P6451 probe is used as a qualifier input.	For more information, refer to P6451 literature.
Input R and C	1 M Ω \pm 5%, paralleled by approx. 5 pF (without leads).	
Minimum logic swing	500 mV p-p centered on threshold voltage.	

Introduction & Specifications-318/338 Service

Table 1-1 (cont.)
318/338 ELECTRICAL SPECIFICATIONS

Characteristics	Performance Requirements	Supplemental Information				
Maximum logic swing	-15 V to threshold voltage plus 10 V.					
Maximum non-destructive	±40 V max.					
Threshold		Threshold level for qualifier input is same as data inputs.				
Mode	Each input is programmable for use as either a clock (clock + trigger) or trigger qualifier.	All inputs chosen as clock qualifiers are ANDed together to qualify the clock. A11 inputs chosen				
as		trigger qualifiers are ANDed together to qualify the trigger.				
Setup time	<table border="0" style="width: 100%;"> <tr> <td style="text-align: center;">318</td> <td style="text-align: center;">338</td> </tr> <tr> <td>14 ns max.</td> <td>20 ns max.</td> </tr> </table>	318	338	14 ns max.	20 ns max.	
318	338					
14 ns max.	20 ns max.					
Hold time	<table border="0" style="width: 100%;"> <tr> <td style="text-align: center;">318</td> <td style="text-align: center;">338</td> </tr> <tr> <td>0 ns max.</td> <td>0 ns max.</td> </tr> </table>	318	338	0 ns max.	0 ns max.	
318	338					
0 ns max.	0 ns max.					
Polarity	Selectable HI or LOW.					
Data Display						
Timing diagram mode						
Number of channels	Maximum of 8 channels present on the screen at one time.					
Window size	256 (requires fuzz character), 196 bits in mag 1, 98 bits in mag 2, 49 bits in mag 4.					
Channel ordering		Channel reordering is specified on the timing data display. A single channel need not be unique within the timing display. Timing channel reordering does not alter the trigger characteristics.				
Display page selection	<table border="0" style="width: 100%;"> <tr> <td style="text-align: center;">318</td> <td style="text-align: center;">338</td> </tr> <tr> <td>2 pages</td> <td>4 pages</td> </tr> </table>	318	338	2 pages	4 pages	
318	338					
2 pages	4 pages					
Glitch display	Glitch information can be displayed on timing diagram as a bit-width transition edge.					
CRT DISPLAY SYSTEM						
CRT						
Display area		Approx. 6.8 cm (W) X 5.4 cm (H)				
Phosphor		P 31				

Introduction & Specifications-318/338 Service

Table 1-1 (cont.)
318/338 ELECTRICAL SPECIFICATIONS

Characteristics	Performance Requirements	Supplemental Information
Geometry		1 mm bow maximum on any straight vertical or horizontal line.
Linearity		1.4 times maximum or 0.9 times minimum at the corner of display area in comparison to same character positioned at center screen.
Accelerating voltage		Approx. 6 KV
Deflection current vertical horizontal		Approx. 300 mA p-p Approx. 1A p-p
Screen buffer memory size		1280 X 8 bits
Screen format		32 characters/row, 20 rows/screen
Refresh rate		60 frames/second, interlaced
Character generation character matrix character ROM size		5 X 7 character 7 X 10 block 2 K byte for parallel function 2 K byte for serial function
Composite video output	525-line interlaced 60 Hz composite video V_{glitch} : approx. 0.7 V with 75 Ω termination V_{on} : approx. 0.3 V with 75 Ω termination V_{off} : approx. 0 V with 75 Ω termination V_{sync} : approx. -0.3 V with 75 Ω termination V_{sync} : 63. μ s \pm 0.1 μ S V_{sync} : 16.7 mS \pm 0.1 ms	
Output impedance	Approx. 75 Ω	

Table 1-1 (cont.)
318/338 ELECTRICAL SPECIFICATIONS

Characteristics	Performance Requirements	Supplemental Information
TEST SIGNAL OUTPUT		
Test Output		
Output level	TTL level	0.7 V or less for low-level output. 2.4 V or more for high-level output.
Voltage, maximum	+6 V peak	
Current, maximum		-0.5 mA
High-logic level		
Low-logic level		2 mA
Repetition rates	C-10 μ s 0-20 μ s 1-40 μ s 2-80 μ s 3-160 μ s 4-320 μ s 5-640 μ s 6-1.28 ms 7-2.56 ms	G-GND These test signals may be accessed by P6451 data probe, P6107 external clock probe, or P6107 serial data probe.
Start Output		
Output level	Generated when the instrument begins to acquire data. TTL level	0.7 V or less for low-level output. 2.4 V or more for high-level output.
Voltage, maximum	+6 V peak	
Current, maximum		
High-logic level	-1 mA	
Low-logic level	2 mA	
Pulse width	Approx. 650 ns	

Table 1-1 (cont.)
318/338 ELECTRICAL SPECIFICATIONS

Characteristics	Performance Requirements	Supplemental Information
POWER SUPPLY		
Ranges of line voltages	90 V to 132 V AC or 180 V to 250 V AC, 48 Hz to 440 Hz, single phase	
Power consumption	95 W max, 150 VA max.	
DC supply voltages		
+ 12 V Supply		
Regulation	± 1 V max.	
Ripple	50 mV p-p max.	
Max. rated current	0.07A	
Current limit point -12 V Supply		Three terminal regulator
Regulation	± 1 V	
Ripple	50 mV p-p	
Max. rated current	0.07A	
Current limit point +5 V Supply		Three terminal regulator
Regulation	± 0.05 V max.	
Ripple	50 mV p-p max.	
Max. Rated current	1.5 A min., 2.6 A max.	
Current limit point -5 V Supply		110% - 200%
Regulation	± 0.05 V	
Ripple	50 mV p-p max.	
Max. rated current	4.0A min., 7.4 A max.	
Current limit point -3.3 V Supply		110% - 200%
Regulation	± 0.05 V	
Ripple	0 mV p-p	
Max. rated current	0.5 A min., 1.2 A max.	
Current limit point -2 V Supply		110% - 200%
Regulation	± 0.02 V max.	
Ripple	40 mV p-p max.	
Max. rated current1.	1.0A min., 2.6 A max.	
Fan drive voltage		Typically: 10V-11V at T _a =25°C

Table 1-1 (cont.)
318/338 ELECTRICAL SPECIFICATIONS

Characteristics	Performance Requirements	Supplemental Information
<p>SERIAL STATE ANALYZER FUNCTION</p> <p>Data Input (Using P6107 Probe)</p> <p>Input R and C</p> <p>Minimum logic swing</p> <p>Maximum logic swing</p> <p>Maximum non-destructive</p> <p>Threshold voltage V1 (0.1 V step variable) V2 (0.1 V step variable) V3 TTL</p> <p>Sampling</p> <p>Clock source</p> <p>External clock input (using P6107 probe)</p> <p>External clock polarity</p> <p>Data sampling rates</p> <p>Internal clock for asynchronous mode</p> <p>Accuracy of internal clock</p>	<p>10 MΩ ± 3%, paralleled by approx. 13 pF at probe tip.</p> <p>1 MΩ ± 5%, paralleled by approx. 40 pF at BNC.</p> <p>500 mV p-p centered on threshold voltage.</p> <p>± 30 V peak.</p> <p>400 V peak at probe tip.</p> <p>40 V peak at BNC input connector.</p> <p>Voltage at probe tip: -10 V to +10 V -10 V to +10 V (V1 + V2) /2 1.4 V</p> <p>internal or external</p> <p>P6107 probe (the same probe as parallel)</p> <p>+ or -- edge</p> <p>50, 75, 110, 134.5, 150, 200, 300, 600, 1200, 1800, 2400, 4800, 9600 and 19200 bits per second</p> <p>± 0.02%, except 110-134.5 bits per second. At these clock rates, the accuracy is relaxed to 0.9%.</p>	<p>P6107 probe should be compensated for 40 pF input capacitance.</p> <p>Accuracy: ±0.23 V ±0.23 V ± 0.23 V ± 0.23 V</p> <p>One of four levels is selectable. Sets threshold voltage at 0 V + 3 V for measurement of RS-232C interface signal.</p> <p>16X sampling clock</p>

Introduction & Specifications-318/338 Service

Table 1-1 (cont.)
318/338 ELECTRICAL SPECIFICATIONS

Characteristics	Performance Requirements	Supplemental Information
External clock for asynchronous mode	Up to 19200 bits per second. 1X or 16X, selectable.	1X sampling clock
External clock for synchronous mode	Up to 19200 bits per second.	
Setup and hold time for synchronous mode.		
Setup time	3 μ s maximum with respect to external clock edge.	
Hold time	3 μ s maximum with respect to external clock edge.	
Stop bit (asynchronous mode only)	Responds to one or more.	
Trigger output	The trigger output is initiated high when the preset trigger words or external trigger was detected. Reset on next acquisition start.	
Data Display		
State Table mode		
Data format	Hex, Binary, Octal, ASCII, EDCDIC radix.	
Data table size	13 rows.	
Parity error	Parity error is indicated as "up" in the error display column adjacent to ASCII character display column, if programmed.	
Framing error (asynchronous mode only)	Framing error point is indicated as "F" in the error display column.	
Overrun error	Overrun error point is indicated as "O" in the error display column.	Overrun error occurs when the data speed is faster than instrument's data-handling speed.

Table 1-1 (cont.)
318/338 ELECTRICAL SPECIFICATIONS

Characteristics	Performance Requirements	Supplemental Information
<p>RS-232C INTERFACE</p> <p>Data transmission timing</p> <p>Communication mode</p> <p>Bits/Characters</p> <p>Parity</p> <p>Stop bit</p> <p>Remote echo selection</p> <p>Data transfer rate</p> <p>Signal characteristics</p> <p>I/O connector</p>	<p>asynchronous only</p> <p>full duplex</p> <p>8 bits with parity</p> <p>even</p> <p>Responds to one or more, sends one.</p> <p>ON or OFF</p> <p>110, 150, 300, 600, 1200, 2400, 4800, 9600, Baud.</p> <p>Meets RS-232C standard.</p> <p>25-pin standard connector</p> <p>Pin 1 protective ground 2 transmitted data 3 received data 4 request to send 5 clear to send 6 data set ready 7 signal ground 8 received line signal detector 20 data terminal ready</p> <p>inputs: 3, 5, 6, 8 mark or OFF: -25 V to -3 V space or ON: +3 V to +25 V input impedance: 3 KΩ to 7 KΩ</p> <p>outputs: 2, 4, 20 mark or OFF: -7.5 V maximum space or ON: +7.5 V minimum with load impedance: 3 KΩ minimum</p>	<p>ASCII characters</p> <p>GND to DCE from DCE to DCE from DCE to DCE from DCE to DCE GND from DCE from DCE to DCE</p>

Table 1-1. (cont.)
318/338 ELECTRICAL SPECIFICATIONS

Characteristics	Performance Requirements	Supplemental Information
<p>NON-VOLATILE MEMORY (Option 01)</p> <p>Memory size</p> <p>Non-volatile period</p> <p>Non-volatile Memory control</p> <p>Battery</p> <p>Battery voltage check</p>	<p>3 pages for setup parameters; 1 page for ACQ or REF data.</p> <p>Approx. 5 years at room temperature.</p> <p>From keyboard or RS-232 bus.</p> <p>A check is performed of the battery at power-up diagnostic.</p>	<p>8 X 2048 bits</p> <p>Lithium battery (battery capacity: 750 mAH or more)</p>

Table 1-2.
318/338 ENVIRONMENTAL SPECIFICATIONS

Characteristics	Description
Temperature Operating	0°C to +50°C
Storage	-55°C to +75°C (but contents of non-volatile memory may be lost with temperatures below -40°C)
Altitude Operating	To 4.5 km (15,000 feet). Maximum allowable ambient temperature decreased by 1°C/1000 feet from 5000 feet to 15,000 feet.
Storage	To 15 km (50,000 feet).
Humidity	Five cycles (120 hrs. total) with equipment tested at 90% to 95% relative humidity. Tested non-operating at 60°C and operating to meet MIL-ST1-810C method 507.1 procedure 1 V, modified as specified in MIL-T-28800B paragraph 4.5.5.1.2.
Vibration, Operating	A 15-minute sweep along each of 3 major axes at a total displacement of 0.025 inch p-p (3.9 g's at 55 Hz), with frequency varied from 10 Hz to 55 Hz to 10 Hz. Hold 10 minutes at each major resonance, or if no major resonance present, hold 10 minutes at 55 Hz.
Shock, Operating and Storage	50 g's 1/2 sine wave, 11 ms duration, 3 shocks per axis in each direction for a total of 18 shocks.
Electromagnetic Interference	Meets FCC part 15, subpart J, class A without probes. (Compliance tests with probes in progress.)

Table 1-3.
318/338 PHYSICAL SPECIFICATIONS

Characteristics	Description
Weight Net, without accessories	about 5.1 Kg (about 12 lbs.)
Dimensions	
Heights	
without accessory pouch	12.0 cm (4.7 in)
with accessory pouch	17.4 cm (6.8 in)
Width with handle	23.7 cm (9.3 in)
Depth, handle not extended	40.9 cm (16.1 in)
Depth, handle extended	49.2 cm (19.4 in)

1-17/(1-18 blank)

OPTIONS

This section briefly describes the options available for a Sony/Tektronix 318 or 338 Logic Analyzer. Further information regarding any option can be found in the manual section containing the type of information desired. For instance, to find information on the theory of operation of the non-volatile memory for 318S1/338S1, refer to the Theory of Operation section.

318F1/338F1: SERIAL ANALYSIS, RS-232C INTERFACE, AND NON-VOLATILE MEMORY

The Sony/Tektronix 318F1/338F1 package is a field-installable kit that upgrades the basic 318/338 Logic Analyzers to 318S1/338S1 status. The package includes a circuit board, Serial Data Probe, and the necessary connectors to add the following features to the basic 318/338: Serial state analysis, an RS-232C remote communication interface, and non-volatile memory. The same kit is used to modify both the 318 and the 338 Logic Analyzers.

2-1/(2-2 blank)

OPERATING INSTRUCTIONS

INTRODUCTION

The 318/338 is a menu-driven system. This means that all operations are set up by means of menus displayed on the monitor screen. Refer to the 318/338 Logic Analyzer Operator's Manual for additional information on the general operation and characteristics of the 318/338 menus.

INSTALLATION

Installation consists of selecting the appropriate operating voltage, connecting the 318/338 to a power input source, and connecting the probe(s), as required, to the 318/338 and the circuit under test.

POWER REQUIREMENTS

The 318/338 operates from a nominal 115 or 230 V, 48 to 440 Hz, single-phase power input source. Before connecting the instrument to a power source, verify that the line-voltage indicator on the back of the instrument is displaying the correct nominal voltage for the power input source to be used.

CAUTION

Before applying power to the instrument make sure the line-voltage indicator shows the correct voltage for the power input source being used. The instrument can be damaged if the line-voltage switch is in the wrong position for the voltage being supplied. Adjust the red voltage selector switch on the back-end panel of the instrument for the proper line-voltage. Make sure you are using the correct power supply cord when connecting the 318/338. If you are unsure if either the voltage selector switch is in the proper position, or if you have the appropriate power cord, refer the instrument to qualified service personnel.

POWER CORD

This equipment has a 3-wire power cord with a 3-contact plug for connection to the power source and to protective ground. The plug protective-ground contact connects (through the power cord protective-grounding conductor) to the accessible metal parts of the equipment. For electrical shock protection, insert this plug into a power input source socket that has a securely grounded protective-ground contact. The power cord is detachable. When not in use, it should be stored in the accessory pouch. Instruments are usually factory equipped with a 115 V power cord unless otherwise ordered. For more information on power cords, contact your Tektronix representative or your local Tektronix Field Office.

WARNING

Hazardous voltages may be present on the exposed metal surfaces of the mainframe if the power source socket's protective ground connection is not securely grounded.

MENU CHARACTERISTICS

There are certain characteristics and terms common to all menus. The following paragraphs discuss these common characteristics and their implications. More complete information is available in the 318/338 Logic Analyzer Operator's Manual, and as each menu is called later in this section.

POWER-UP CONFIGURATION DISPLAY

When the 318/338 is first powered up, it lists the configuration of the 318/338 and identifies option modules. It then shows the results of the self test.

MENUS AND SUBMENUS

Each 318/338 menu is displayed on the monitor screen when you press its associated MENU key on the keyboard.

Some of the menus are comprised of several parts called submenus. These submenus are individual screen displays which may be selected only after the menu is entered. For example, the parallel State Table menu has two submenus: one for searching for data and one for comparing data. To display either of these submenus, you must first enter the parallel State Table menu.

MENU DEFAULT DISPLAYS

On system power-up, the 318/338 assigns each menu default operating parameters. When you enter the menu, the menu and its default parameters appear on the screen. This initial menu display is called the menu's default display. If no changes are made to the menu's default display, the 318/338 will use the default parameters during the various operations.

MENU FIELDS AND THE EDIT CURSOR

When a menu is displayed on the 318/338 screen, the menu's changeable parameters appear as reverse-video fields. Before making any changes in a specific field, you must first move the blinking edit cursor to that field. The edit cursor moves from field to field, in any direction. It is controlled by these EDIT keys:

↑, ↓, ←, and →. They move the cursor one space up, down, left, or right.

Once the edit cursor is located in a specific field, you can change the field value. The common keys used in making field changes are:

- Data Entry keys - used in fields that have a string of numeric values.
- SELECT key - used in fields with predetermined values.
- INCR and DECR keys - used in fields that have specific incrementing or decrementing numerical values.
- CLEAR key - used in fields that allow a reset to zero.

NOTE

In some fields you must press the EXECUTE key after making any changes with the SELECT key. In these cases, an error message will appear when you try to move the edit cursor to another field after pressing the SELECT key. Pressing SELECT again will abort EXECUTE.

ERROR MESSAGE AND ACQUISITION STATUS READOUT

The 318/338 has a comprehensive set of error and acquisition status messages. These messages appear on the bottom line of the screen: the error message is at the left of the screen and is displayed in blinking, highlighted video; acquisition status is at the right hand of the screen and is displayed in blinking video.

A complete listing of error and acquisition status messages can be found in Appendix A of this manual.

MAJOR MODE SELECTION FIELD

The major mode (PRL/SER/KBD/RMT/NVM) selection field appears in the top left corner of the screen (except when displaying the RS-232 Setup menu or the Non-Volatile Memory Setup menu). After making any changes in this field, you must press the EXECUTE key to access the selected mode.

INPUTS DURING ACQUISITION

Even when acquiring data (when waiting for a trigger or in REPEAT mode), the 318/338 can accept any keys in any fields except for those that generate the message: PRESS STOP. This capability allows you to change the delay value or sample clock while looking at continuously acquired data, without pressing the STOP key.

MENU FUNCTIONS

SETUP MENU

The Setup menu (parallel) serves two functions. First, it is used to specify the acquisition mode (SINGLE, REPEAT, RPT UNTIL ACQ = REF, RPT UNTIL ACQ ≠ REF) that will be used during acquisition.

The second function of the Setup menu is to determine the way in which acquisition channels are organized for display. It organizes the channels into logical groups. This information is then used by the Trigger menu for organizing the word recognizer channels, and by the State Table menu for organizing the data display. This channel organization is independent of the order in which channels are connected to the system under test. The organization only affects the display, not the actual acquisition. Changes can be made to the data display after the data has been acquired.

The Setup menu (serial) also serves the following functions: communication mode (ASYN/C/SYN/C) selection, baud rate selection, input polarity selection, bits/word selection, and parity selection.

THRESHOLD MENU

The function of the Threshold menu is to determine probe input thresholds (including data lines and the external clock line).

TRIGGER MENU

The Trigger menu sets up the major acquisition parameters. First, it specifies which trigger mode (INT, EXT, or INT OR EXT) will be used during acquisition. Then it specifies the acquisition clock (external or internal) and trigger position (BEGIN, CENTER, END, or DELAY), and enables clock or trigger qualifier lines. The Trigger menu also controls all word recognition, triggering parameters, and glitch triggering. The Trigger menu (serial) also controls SYNC WORD and HUNT WORD in synchronous mode.

STATE TABLE MENU

The State Table menu has two submenus: SRCH (search) and CMPR (compare). The SRCH (search) function is used for searching through ACQ (acquisition) or REF (reference) memory for a specific data word or a word including a glitch. It will show the number of occurrences of the specific data in the memory and it will also show the relative position of the memory cursor to these data. The CMPR (compare) function is used in conjunction with REF (reference) memory. REF memory is filled with a copy of ACQ memory when EXECUTE is pressed (edit cursor in the ACQ-REF field).

The CMPR displays then show differences between REF memory contents and any later ACQ memory contents within the CMPR WDO (window). The channel organization of the parallel state display is controlled by the Setup menu.

TIMING DIAGRAM MENU (PARALLEL ONLY)

The Timing Diagram menu (parallel) has two submenus: SRCH (search) and ΔT (delta time). The search function is the same as in the parallel State Table menu for displayed data or data on that page. The ΔT (delta time) function makes a timing measurement between two given locations (ΔT and C) in the waveform display.

CHARACTER MENU (SERIAL ONLY) (318S1/338S1)

The Character menu (serial) has two submenus: SRCH (search) and CMPR (compare). These are the same as described for the State Table menu. This display shows 256 bytes of data on one screen in either ASCII or EBCDIC format.

REMOTE (RMT) MENU (318S1/338S1)

The purpose of external communication is to allow the user to store reference memories; to retrieve acquisition, reference, and glitch memories; to store and retrieve setups outside the 318/338; and to be able to control the 318/338 from an external controller. You can select BAUD RATE and ECHO in the RMT mode.

NON-VOLATILE (NVM) MENU (318S1/338S1)

The values of setup parameters and acquisition or reference memory can be stored in NVM memory. This means that once the parameters and memory are saved, they will not change (in the NVM) when the 318/338 is powered off and back on again.

NOTE

When the NVM diagnostics test is run, all information stored in the NVM memory is erased.

DIAGNOSTICS

The 318/338 has internal diagnostics to help verify proper instrument performance. Some of the diagnostics occur automatically whenever the 318/338 is powered on. Other diagnostics require that probes be properly attached to test points or require an operator at the keyboard. Any error found during correct operation of the diagnostics means that an instrument failure has occurred, has been detected, and that service is required. If an error occurs, refer to *Section 7, Maintenance: Troubleshooting*, of this manual for help in isolating and correcting the problem.

POWER-UP SELF TEST

When you press the POWER switch, the internal diagnostic tests run automatically. These tests check out the major hardware components and operating firmware.

During the first phase of self test, the 318/338 tests the major blocks of system RAMs and ROMs. After RAM/ROM tests, the 318/338 is initialized. After several seconds, the display shows a configuration listing (see 3 in Figure 3-1). At the top of the screen (1 in Figure 3-1), the message SELF TEST VERSION X.X appears. On the next line (2 in Figure 3-1), the message IN PROGRESS appears.

Each listed menu is tested and then given a PASS or FAIL notation. (See 4 in Figure 3-1.) If errors are detected, error messages also appear. (See 5 in Figure 3-1.) PASS means that the test was successful; FAIL means that the test was unsuccessful.

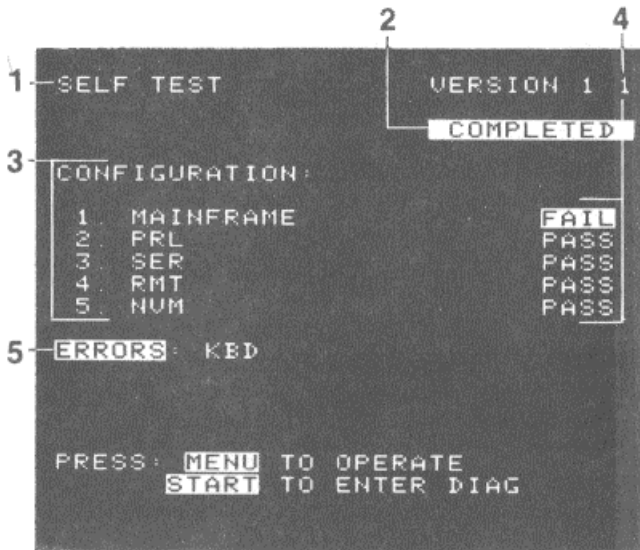
When all tests are finished, the message COMPLETED appears on the screen. (See 2 in Figure 3-1.) A prompt message then appears at the bottom of the screen.

If no errors are found during self test, the screen will look like Figure 3-2.

You may now enter any menu and begin operation. If errors occurred during self test, the screen will look like Figure 3-1. If the errors that occurred do not affect the operations you want to perform, press a MENU key. If you want to enter the Diagnostics menu, press START.

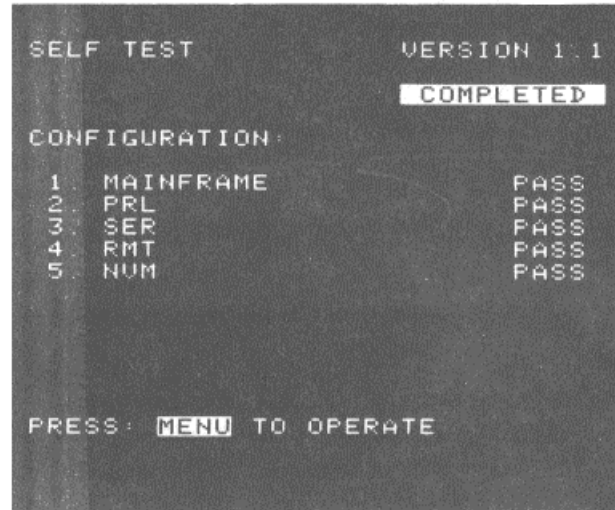
NOTE

If neither of the displays shown in Figure 3-1 or Figure 3-2 appears on the screen after several seconds, system errors have been detected. Refer to Section 7, Maintenance: Troubleshooting, for help in isolating and correcting the problem.



4433 02

Figure 3-1. Failure in the power-up self test.



4433 05

Figure 3-2. Successful completion of the power-up Self Test.

DIAGNOSTICS MENU

The Diagnostics menu offers more levels of diagnostics. The Diagnostics menu is only accessible when the power-up tests show that a hardware component has failed. To enter the Diagnostics menu, press START.

To access the Diagnostics menu when no errors have been detected by the power-up tests, induce a power-up failure from the keyboard by holding down any key (except STOP) from the time the 318 338 is turned on to the time the power-up self tests are completed (approximately 7 seconds).

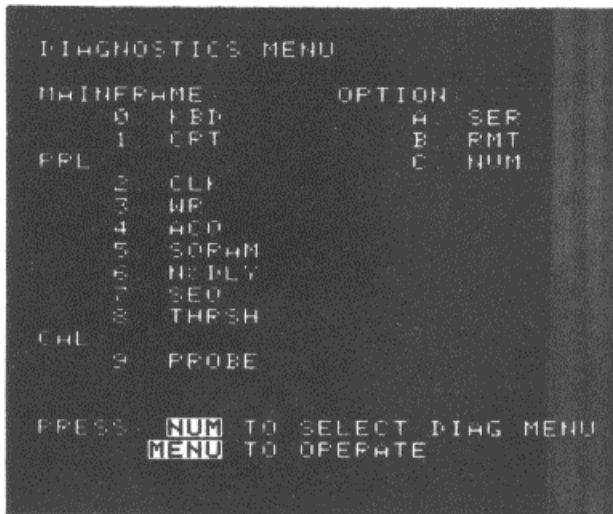
When first entered, the screen should look like Figure 3-3. To begin testing, press a data entry key equal to a menu number. Press X to return to Diagnostics menu. Press any MENU key to leave the Diagnostics menu and begin operation.

USER-CHANGEABLE FIELDS FOR EACH TEST'S DISPLAY

LOOP and DISP (display) are the user-changeable fields in each test (except for the KBD, CRT, CLK, T/H, and N & DLY tests). Some tests have more fields, such as the ALL or SINGLE SELECTION field and the DATA ENTRY field. Refer to Figures 3-4 and 3-5 while reading the following paragraphs.

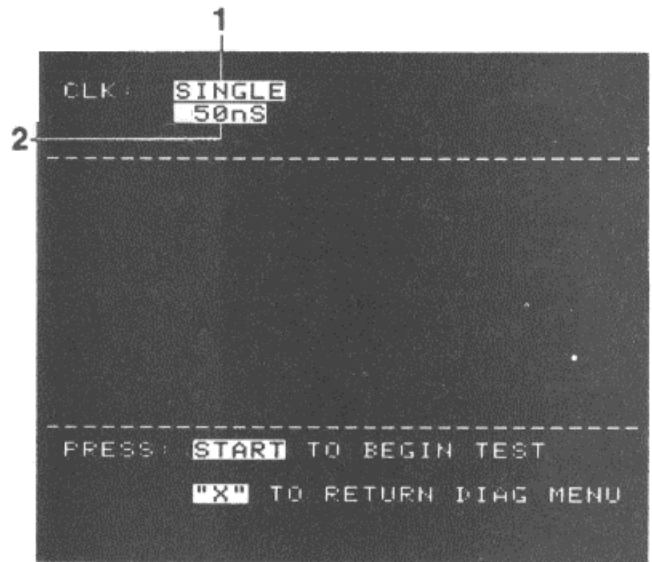
1 ALL OR SINGLE - Only some tests have this field. You may select either ALL or SINGLE. ALL causes all available conditions to be tested. SINGLE causes a selected condition to be tested. When the field is set to SINGLE, the DATA ENTRY field appears on the line below. During tests, the field may not be changed. If you wish to change fields, do so after pressing STOP.

2 DATA ENTRY - Only some tests have this field. The tests are performed with the condition of the selected item or entered data. The field may not be changed during tests. If you wish to change fields, do so after pressing STOP.



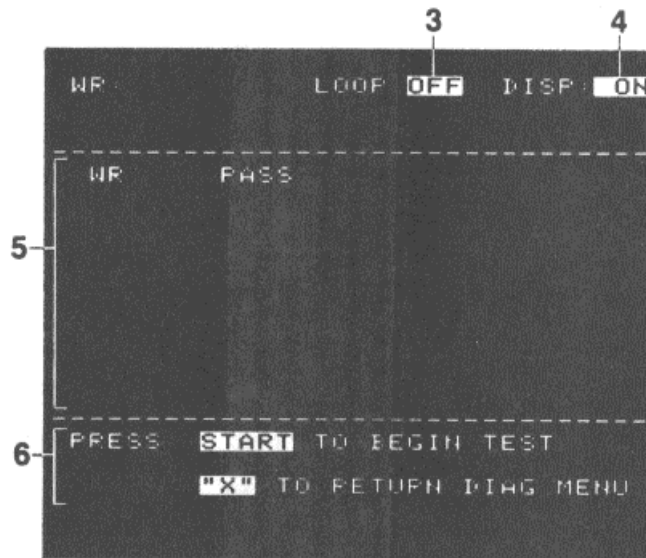
4433 04

Figure 3-3. Diagnostics menu: first display.



4433 05

Figure 3-4. Display sample with ALL/SINGLE and data entry fields.



4433 06

Figure 3-5. Display sample with LOOP and DISP fields.

3 LOOP - You can set this field to OFF, I/O, ERROR, or TEST by pressing SELECT. When the field is set to I/O, the looping feature allows only I/O instructions to be run repeatedly. The I/O address will appear on the screen. When the field is set to ERROR, the looping feature allows the tests in which an error is detected to be run repeatedly. When the field is set to TEST, the looping feature allows one test or sequence of tests to be run continuously. When the field is set to OFF, the looping feature is not available and one test or sequence of tests runs once.

When the field is set to I/O or ERROR, the prompt message START TO ADVANCE appears at the bottom of the screen. If START is pressed during LOOP tests, the current loop of tests stops and the next loop of tests is started. You can change fields during tests.

Use this feature for catching intermittent faults or for circuit tracing with an oscilloscope.

4 DISP (display) - This field may be set to ON or OFF. When the field is set to ON, test results appear within the status area on the screen. When the field is set to OFF, no test results appear. You can change fields during tests.

5 DISPLAY AREA FOR RESULTS - This area is used to display test results. You cannot move the cursor into the area between the dotted lines. If the DISP field is set to OFF, no test results will appear here other than results of the I/O LOOP test.

6 PROMPT MESSAGES - Press START to begin and to advance tests (except for KBD test). STOP TO CANCEL TEST will appear under tests instead of START TO BEGIN TEST. Press X to return to the Diagnostics menu for all tests except KBD. Press STOP to cancel tests. For KBD test, press STOP to cancel test and return to the Diagnostics menu.

DIAGNOSTIC TEST DESCRIPTIONS

KBD Test. To enter the keyboard test, press 0 while in the Diagnostics menu. The screen display simulates the keyboard. When any key is pressed, its position on the screen blinks. If the corresponding screen position does not blink, the key is open. If a screen position blinks without a key being pressed, that key is shorted closed. Refer to the Diagnostics menu or to the troubleshooting trees in *Section 7* for details. Figure 3-6 illustrates the KBD test.

CRT Test. To enter this test, press 1 while in the Diagnostics menu. This test is for the focus check and the CRT rotation check. First, the cross-hatch pattern appears on the screen. Press START; the display will change continuously. Refer to the Diagnostics menu or to the trouble-shooting tree in *Section 7* for details.

Figures 3-7, 3-8, 3-9, and 3-10 illustrate the CRT tests.

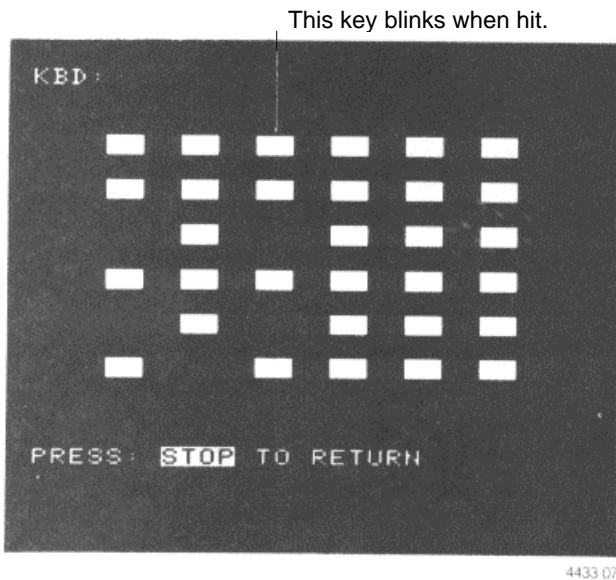


Figure 3-6. Display for KBD tests.

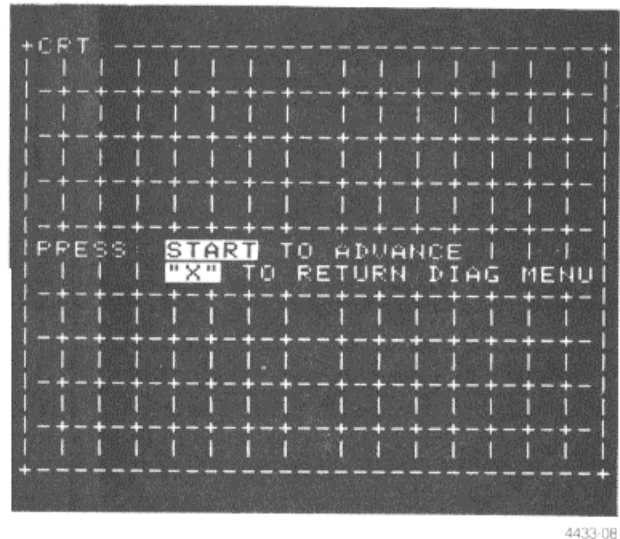
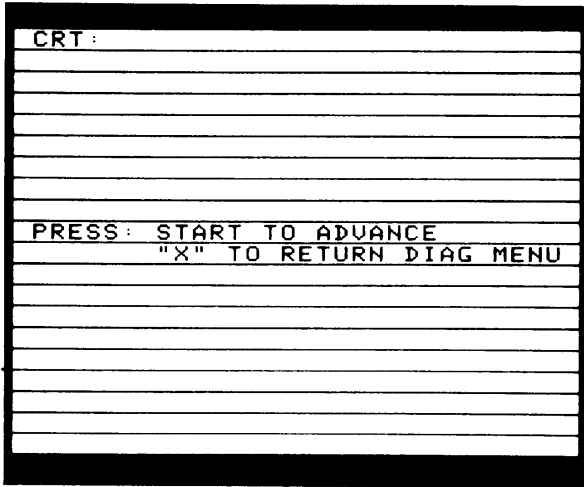
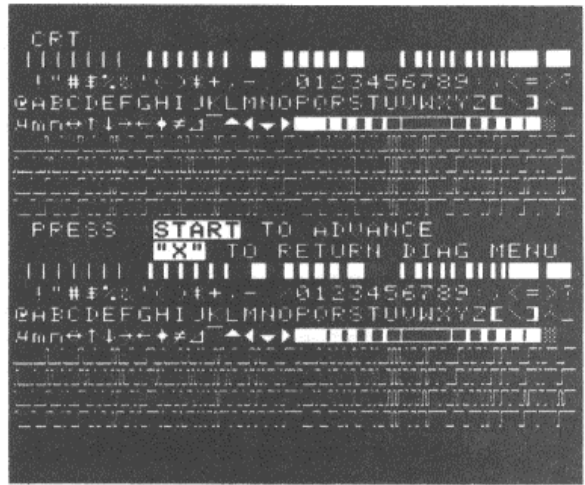


Figure 3-7. CRT test: first display.



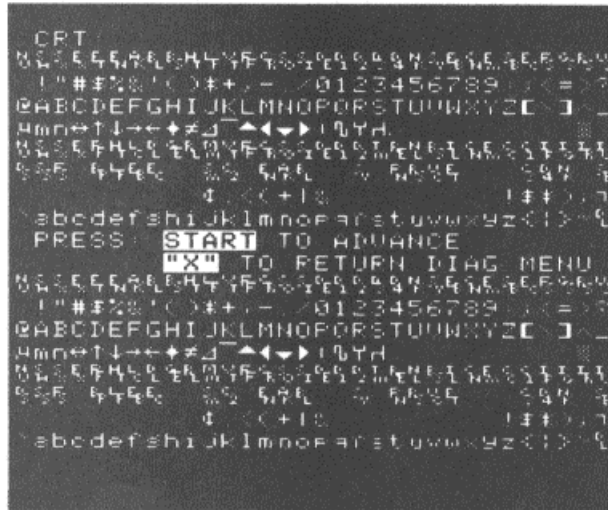
4433 09

Figure 3-8. CRT test: second display.



4433 10

Figure 3-9. CRT test: third display.



4433 11

Figure 3-10. CRT test: fourth display.

CLK Test. To enter this test, press 2 while in the Diagnostics menu. This is a test of the internal timebase. It is not a verification test; neither PASS nor FAIL will appear on the screen. If ALL is selected, the value of the clock interval being tested will appear on the screen. You should use an oscilloscope to observe the operation of this test. Refer to the Diagnostics menu or to the troubleshooting trees in *Section 7* for details. Figure 3-11 illustrates the CLK test.

operation: Select ALL (default) or SINGLE by pressing SELECT. Press the START key. If you have selected ALL, the value of the clock from 20 ns to 1 s will appear on the screen sequentially. Probe the timebase with an oscilloscope to verify that the clock interval is correct. If you have selected SINGLE, the DATA ENTRY field will appear on the next line. You can change the value in this field by pressing INCR or DECR. Press START and use the oscilloscope to verify the timebase value you have selected. Nothing will appear on the screen.

WR Test. To enter this test, press 3 while in the Diagnostics menu. This test is for the word-recognizer RAM. Refer to the Diagnostics menu or to the trouble-shooting tree in *Section 7* for details.

operation: Press START to begin this test. The LOOP test and DISP ON/OFF functions are available here. The LOOP test has four features: OFF, I/O, ERROR, and TEST. You can select these features by pressing SELECT even during testing. DISP can also be selected during testing. If DISP is set to OFF, no results will appear on the screen other than results of the I/O LOOP test. To exit this test, wait until the test finishes, or press STOP, and then press X. If errors are detected in the test and DISP is ON, some of the following error codes will appear on the screen.

Error codes: 20, 21, 22, 23 (Refer to *Appendix B* for details.)

Figure 3-12 illustrates the WR test.

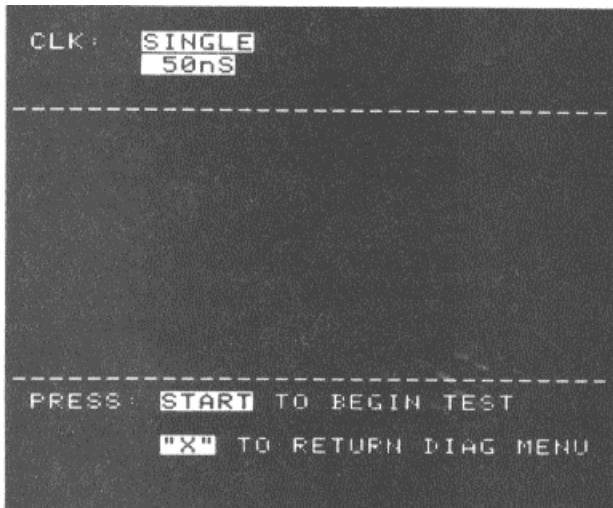


Figure 3-11. Display for CLK tests.

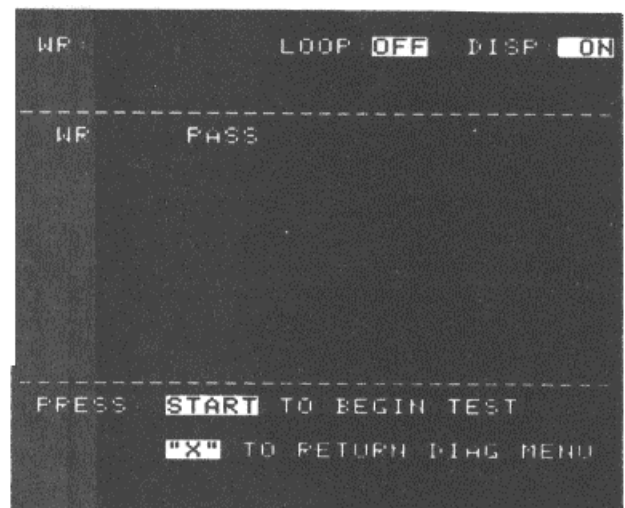


Figure 3-12. Display for word recognizer RAM (WR) test.

ACQ Test. To enter this test, press 4 while in the Diagnostics menu. This test is for acquisition RAM. Refer to the Diagnostics menu or to the trouble-shooting tree in *Section 7* for details.

Figure 3-13 illustrates the ACQ test.

operation: Press START to begin this test. The LOOP test and DISP ON/OFF functions are available here. The LOOP test has four features: OFF, 1/0, ERROR, and TEST. You can select these features by pressing SELECT even during testing. DISP can also be selected during testing. If DISP is set to OFF, no results will appear on the screen other than results of the 1/0 LOOP test. To exit this menu, wait until the test is complete, or press STOP, and then press X.

If errors are detected in the test and DISP is ON, some of the following error codes will appear on the screen.

Error codes: 30, 31, 32, 33 (Refer to *Appendix B* for details.)

SGRAM Test. To enter this test, press 5 while in the Diagnostics menu. This test is for the trigger sequencer RAM. Refer to the Diagnostics menu or to the trouble-shooting tree in *Section 7* for details. Figure 3-14 illustrates the SGRAM test.

operation: Press START to begin this test. The LOOP test and DISP ON/OFF functions are available here. The LOOP test has four features: OFF, 1/0, ERROR, and TEST. These can be selected by pressing SELECT even during testing. DISP can also be selected during testing. If DISP is set to OFF, no results will appear on the screen other than results of the I/O LOOP test. To exit this menu, press X after the test finishes or after pressing STOP. If errors are detected in the test and DISP is ON, some of the following error codes will appear on the screen.

Error codes: 40, 41 (Refer to *Appendix B* for details.)

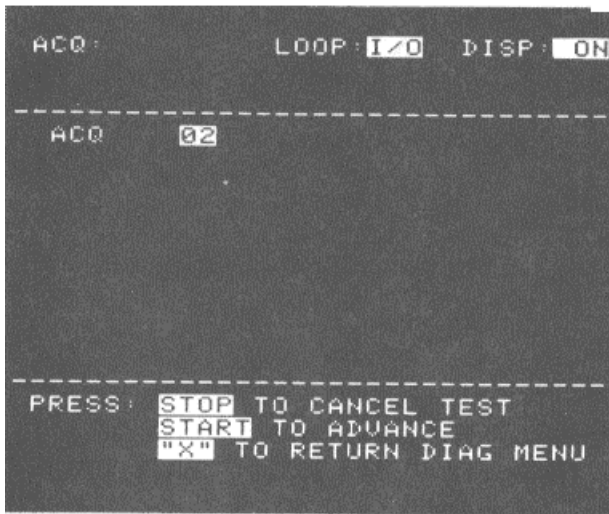


Figure 3-13. Display for acquisition RAM (ACQ) test.

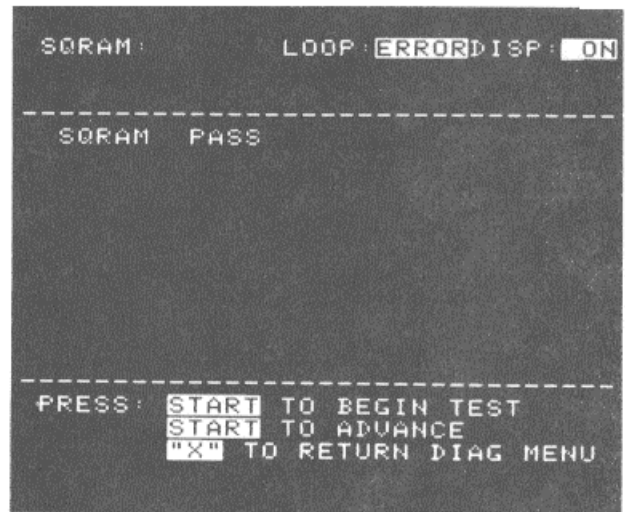


Figure 3-14. Display for trigger sequencer RAM (SGRAM) test.

N&DLY Test. To enter this test, press 6 while in the Diagnostics menu. This test verifies that the N and DELAY counter will run continuously. Refer to the Diagnostics menu or to the trouble-shooting tree in *Section 7* for details. Figure 3-15 illustrates the N&DLY test.

operation: Set the counter values in the N and DELAY fields. (Default: N = 1; DELAY = 0.) Press START to begin the test. This is not a verification test, so you should probe the LOAD N signal or the LOAD DL signal with an oscilloscope to verify these counters. To exit this test, press STOP and then press X.

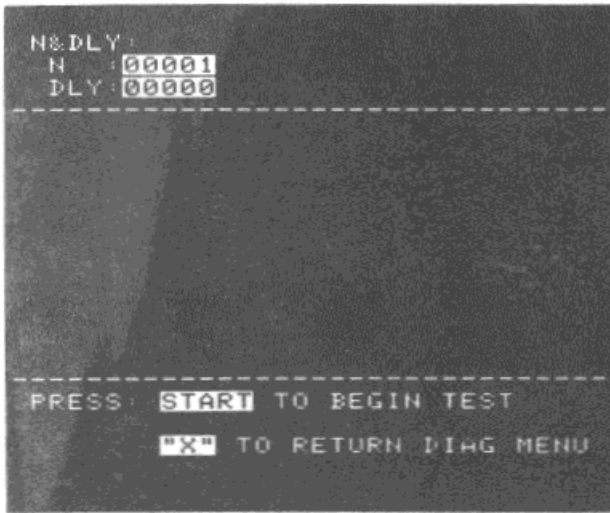
NOTE

In the case of N = 0 (or DLY = 0), the N counter (or the DELAY counter) will not run at all. This status is correct.

SEQ Test. To enter this test, press 7 while in the Diagnostics menu. This is an overall test for parallel acquisition components. Refer to the Diagnostics menu or to the trouble-shooting tree in *Section 7* for details. Figure 3-16 illustrates the SEQ test.

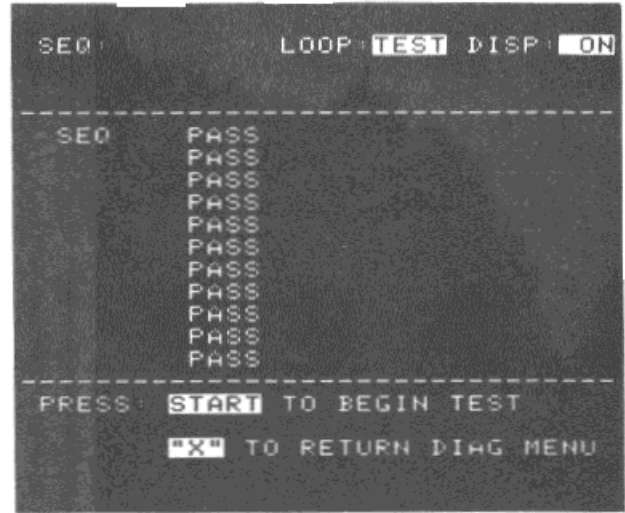
operation: Press START to begin test. The LOOP test and DISP ON/OFF functions are available here. The LOOP test has four features: OFF, I/O, ERROR, and TEST. These can be selected by pressing SELECT even during testing. DISP can also be selected during testing. If DISP is OFF, no results will appear on the screen other than results of the I/O LOOP test. To exit this test, wait until the test finishes, or press STOP, and then press X. If errors are detected and DISP is ON, some of the following error codes will appear on the screen.

Error codes: 50, 51, 52, 53 (Refer to *Appendix B* for details.)



4433-16

Figure 3-15. Display for N counter or DLY counter tests.



4433-17

Figure 3-16. Display for overall tests on parallel acquisition (SEQ test).

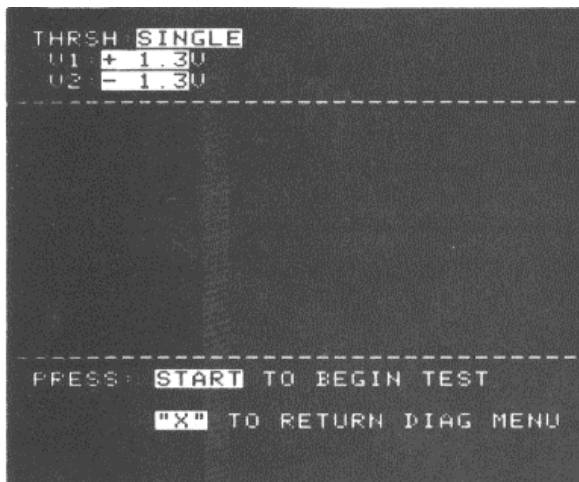
THRSH Test. To enter this test, press 8 while in the Diagnostics menu. This test verifies that the sawtooth wave or constant threshold level signal will be generated. Refer to the Diagnostics menu or to the trouble-shooting tree in *Section 7* for details. Figure 3-17 illustrates the THRSH test.

operation: When you select ALL (default) and press START, the sawtooth wave will be generated. The threshold value will then appear on the screen.

If SINGLE is selected, then DATA ENTRY field will appear on the screen as in Figure 3-17. Set the threshold value to be observed and press START. The constant threshold level will be generated and nothing will appear on the screen. This is not a verification test, so you should probe the signal with an oscilloscope to verify the threshold level. To exit this test, press the STOP key, and then X.

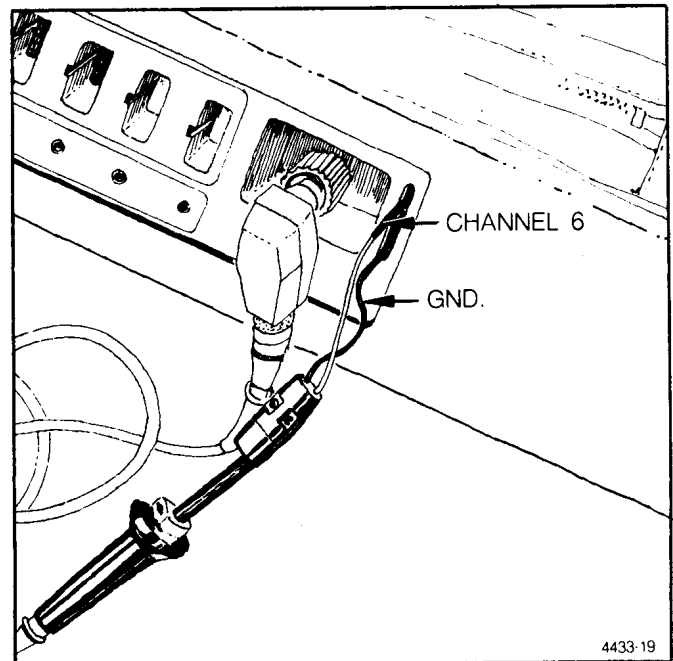
External Clock Probe Compensation. This test verifies that the External Clock Probe is properly compensated and provides a way to correct any misadjustment. Note: two nearly identical P6107 probes are supplied with the 318S1/338S1, one is called the External Clock Probe (20 pf compensation), and the other is called the Serial Data Input Probe (40 pF compensation). Make sure you are using the probe marked External Clock.

To enter this menu, press 9 while in the Diagnostics menu. This test calibrates the P6107 External Clock probe by means of the built-in pattern generator on the right side panel. First, set up probe as in Figure 3-18; the signals to be used are specified to CH6 and G (ground). Figure 3-19 illustrates the External Clock Probe compensation display.



4433-18

Figure 3-17. Display for the threshold test (THRSH).



4433-19

Figure 3-18. Setup of probe compensation.

operation: Press START to begin this test. After several seconds one of the following status messages will appear on the screen:

UNDER: means undercompensated

OVER: means overcompensated

FIT: means properly compensated

Adjust the probe compensation by turning the screw located under the calibration seal in the P6107 External Clock Probe's compensation box; turn the screw according to the displayed status message. When FIT appears on the screen the probe compensation is properly adjusted (20 pF).

The 318/338 will run continuously until STOP is pressed. The other keys are disabled during probe compensation. To exit this menu, press STOP and then press X.

NOTE

If your setup does not match Figure 3-18 your equipment setup may be incorrect.

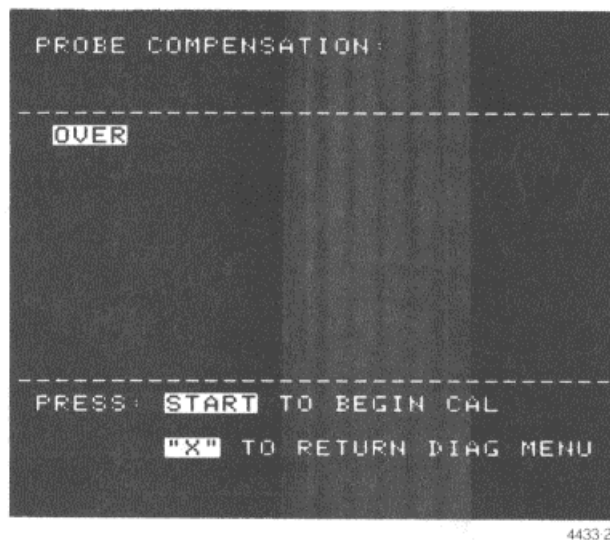


Figure 3-19. Display for External Clock Probe compensation.

P6107 Probe Assignment and Compensation for the 318S1 and 338S1. Two nearly identical P6107 probes are supplied with 318S1 and 338S1 Logic Analyzers, however they must be compensated differently (Serial Data Acquisition Probe-40 pF; External Clock Probe--20 pF).

When the probes are supplied with the instrument they will already be marked as the External Clock Probe and the Serial Data Input Probe, and their compensations will be properly adjusted. If a replacement probe has been ordered it will not be marked and the compensation will be set at 40 pF. If you are replacing the Serial Data Input Probe no change in compensation is necessary; simply mark the probe for identification purposes. If you are replacing the External Clock Probe you must adjust the probe compensation to 20 pF according to the procedure described in the preceding paragraphs. Be sure to mark the probe for identification purposes.

SER Test. This test is only available with the 318S1 and 338S1. It requires the optional Self Test Adapter (013-0173-01). Contact your Tektronix sales representative if you need assistance in ordering.

To begin this test, press A while in the Diagnostics menu. This test is for the SIO used in the serial data acquisition mode. Refer to the Diagnostics menu or to the trouble-shooting trees in *Section 7* for details. Figure 3-21 illustrates the serial SIO test.

operation: Your probe connection setup should match that in Figure 3-20 before you begin this test. To begin the test, press START. The LOOP test and DISP ON/OFF functions are available here. The LOOP test has four features: OFF, I/O, ERROR, and TEST. These can be selected by pressing SELECT even during testing. DISP can also be selected during testing. If DISP is OFF, no results will appear on the screen other than results of the I/O LOOP test. To exit this menu, wait until the test finishes, or press STOP, and then press X. If errors are detected and DISP is ON, some of the following error codes will appear on the screen.

Error codes: B4, B5, B6, B7, B8, B9, BA, BB, BC, BD, BE, BF, CO, C1, C2, C3 (Refer to *Appendix B* for details.)

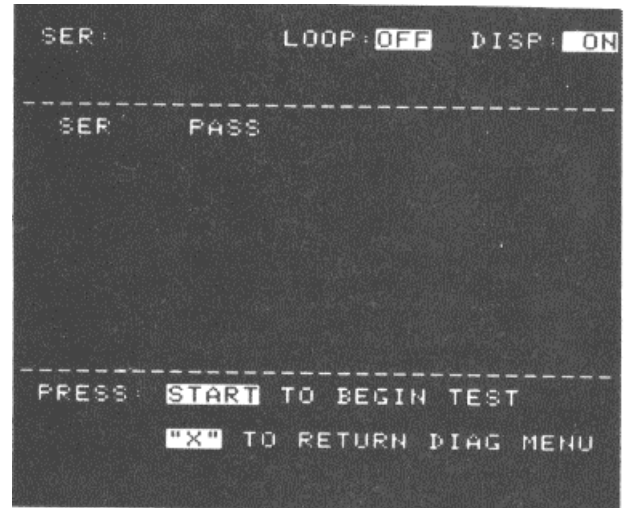
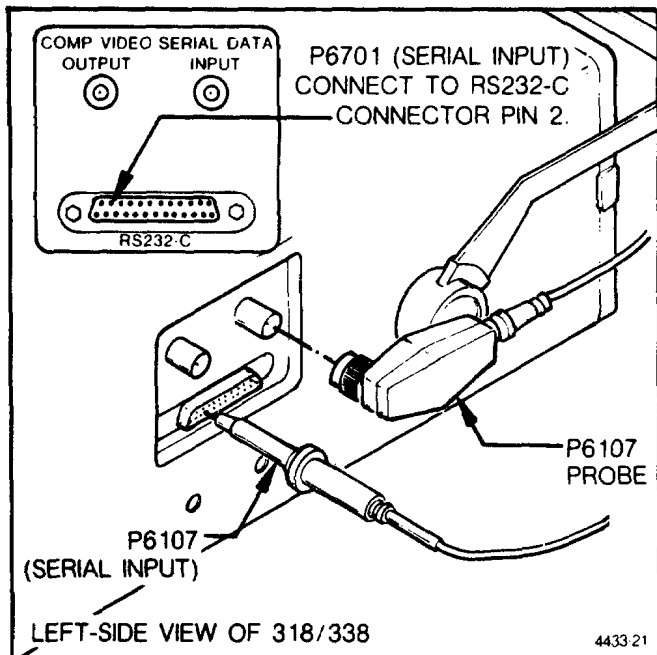


Figure 3-21. Display for Serial test (SER).

Figure 3-20. Probe connection setup for serial test (SER).

RMT Test. This test is available only with the 318S1/338S1. To begin this test press B while in the Diagnostics menu. This test is for the SIO used by the remote mode. Refer to the Diagnostics menu or to the trouble-shooting tree in *Section 7* for details. Figure 3-23 illustrates the display for the remote SIO test.

operation: Your equipment setup should match that in Figure 3-22 before you begin this test. To begin the test, press START. The LOOP test and DISP ON/OFF functions are available here. The LOOP test has four features: OFF, I/O, ERROR, and TEST. These can be selected by pressing SELECT, even while the test is in progress. DISP can also be selected during testing. If DISP is OFF, no results will appear on the screen other than results of the I/O LOOP test. To exit this test, wait until the test is complete, or press STOP, and then press X. If errors are detected and DISP is ON, some of the following error codes will appear on the screen.

Error codes : 96, 97, 98, 99, 9A, 9B, 9C, 9D, 9E, 9F, A0, A1, A2, A3, A4, A5, A6, A7, A8, A9, AA, AB, AC, AD, AE, AF, BO, B1, B2 (Refer to *Appendix B* for details.)

NOTE
This test may take up to 40 seconds to complete.

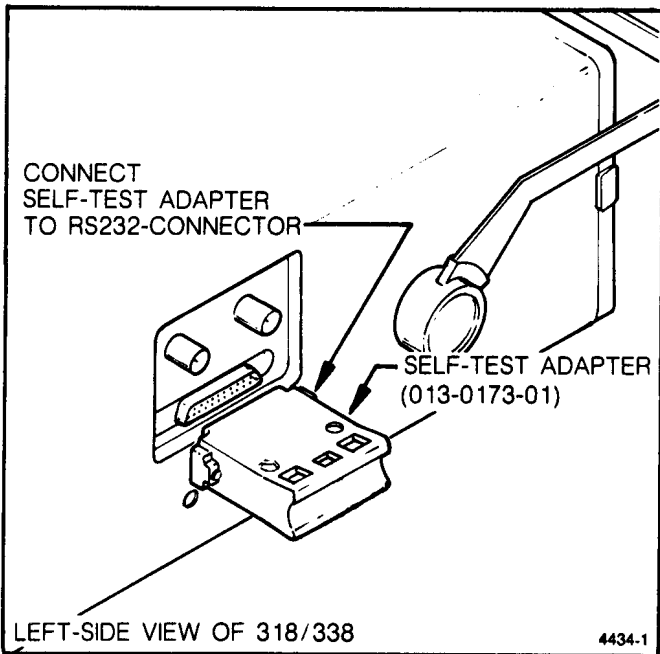
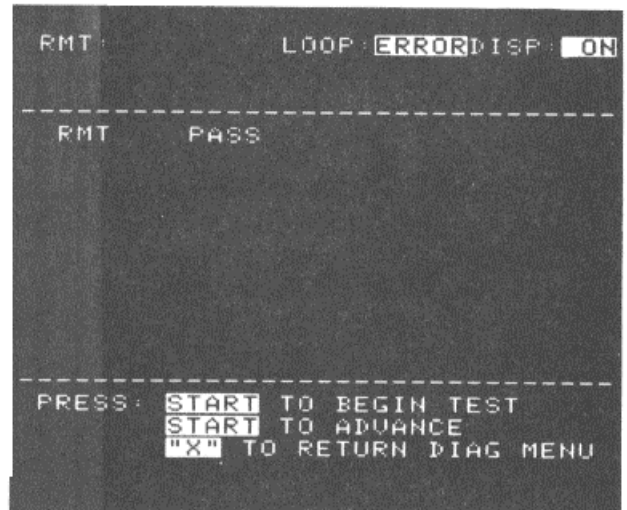


Figure 3-22. Equipment setup for remote test (RMT).



4433 24

Figure 3-23. Display for remote tests (RMT).

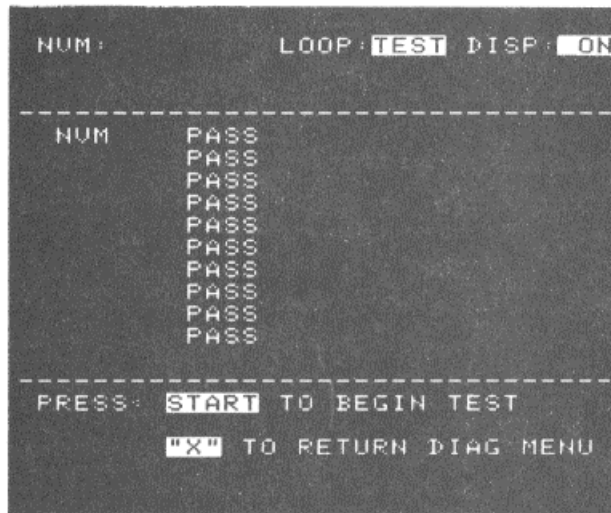
NVM Test. This test is only available for the 318S1 /338S1. To begin this test press C while in the Diagnostics menu. This is the non-volatile memory test. Refer to the Diagnostics menu or to the trouble-shooting trees in *Section 7* for details. Figure 3-24 illustrates the NVM test.

NOTE

The NVM test will overwrite all non-volatile memory data previously saved.

operation: Press START to begin the test The LOOP test and DISP ON/OFF functions are available here. The LOOP test has four features: OFF, I/O, ERROR, and TEST. These can be selected by pressing SELECT even during testing. DISP can also be selected during testing. If DISP is OFF, no results will appear on the screen other than results of the I/O LOOP test. To exit this menu, wait until the test is complete, or press the STOP key, and then press X. If errors are detected and DISP is ON, some of the following error codes will appear on the screen.

Error codes: C8, C9, CA, CB, CC, CD, CE, CF, D0, D1, D2, D3 (Refer to *Appendix B* for details.)



4433 25

Figure 3-24. Display for the non-volatile memory test (NVM).

THEORY OF OPERATION

SECTION ORGANIZATION

This section contains a functional description of the circuitry used in the 318 and 338 Logic Analyzers. It is divided into two sub-sections: *General System Description* and *Detailed Circuit Description*. Block diagrams, wiring diagrams, and detailed schematics for the 318 and 338 are found in the tabbed *Diagrams* section at the rear of this manual.

Use the 318/338 Block Diagrams in the *Diagrams* section with the *General System Description* part of this section. Blocks on the block diagrams correspond to sub-headings in the *General System Description*. Use the system schematics in conjunction with the *Detailed Circuit Description* part of this section. Schematics are referenced to section headings and sub-headings by corresponding numbers in diamonds. This section and the block diagrams and schematics in the *Diagrams* section may be valuable as a reference when troubleshooting system circuitry. Specific troubleshooting information is presented in the *Maintenance. Troubleshooting* section of this manual.

NOTE

Unless otherwise specified, the text, tables, and figures in this section refer to both the 318/318S1 and the 338/338S1. Differences are called out as they occur.

DIGITAL LOGIC CONVENTIONS

Digital logic techniques are used to perform most functions within this instrument. Function and operation of the logic circuits are represented by standard logic symbols and terms. All logic functions are described using the positive logic convention. Positive logic is a system of notation whereby the more positive of two levels is the true, or 1 state; and the more negative level is the false, or 0 state.

In logic descriptions, the more positive of the two logic voltages is referred to as high, and the more negative state as low. The specific voltages that constitute a high or low state vary between different electronic devices.

Whenever a line name on a schematic is referred to within the text, that line name may be overscored, $\overline{\text{SIGNAL}}$, indicating that the line is an active low. Line names without overscores are active high.

To best understand the circuitry, cross-reference the descriptions in this section with the block diagrams in the *Diagrams* section. Refer to the Table of Contents at the front of this manual to locate individual circuit descriptions.

GENERAL SYSTEM DESCRIPTION

The following discussion provides an overall description of the 318/338 Logic Analyzer. Refer to the simplified block diagrams in this section, and to the system block diagrams in the *Diagrams* section of this manual. Each major block in these diagrams represents a major circuit within the instrument. The numbered diamond symbol on each block refers to the associated schematic diagram for that circuit (also located in the *Diagrams* section).

The instrument can be divided into two sections:

- Acquisition Module
- Mainframe

The acquisition module consists of:

- Parallel data inputs (Input A and Input B boards) (A01 & A02)
- Acquisition (ACQ) Control board (A03)
- ACQ Memory board (A04)
- Serial Analysis/RS-232/NVM Option 01 board (A07)

NOTE

The 318 and 338 have different acquisition circuitry; make sure you reference the correct description for the instrument you are servicing.

The mainframe consists of:

- ROM/Threshold board (A05)
- MPU/Display board (A06)
- Mother board (A08)
- Keyboard (A09)
- CRT board (A10)
- Power supply (A11 & A12)

The mainframe is common to both the 318 and 338 Logic Analyzers; circuit board assemblies are marked 318/338 AXX.

NOTE

The 318 has two unique circuit board assemblies marked 318 A01, and 318 A02; the 338 also has two unique circuit board assemblies, marked 338 A01, and 338A02. Circuit boards that are common to both the 318 and 338 are marked 318/338. The tabs in the Diagrams section of this manual are marked 318/338, 318, or 338 to correspond to the circuit board assemblies used in the analyzer.

ACQUISITION MODULE

PARALLEL DATA INPUTS (A01 AND A02)

The Input-A (A01) and Input-B (A02) boards configure the parallel data inputs. These boards are mounted into connectors J1 and J2, respectively, on the Mother board.

P6451 Parallel Data Probe. In the 318, two P6451 parallel data probes can be connected to the right-side panel. The 338 has four P6451 parallel data probes. Each probe accepts eight channels of data and one qualifier channel for either trigger or clock qualifications. Thus, 16 channels of data and 2 channels of qualifiers are available for the 318, and 32 channels of data and 4 channels of qualifiers are available for the 338.

P6107 External Clock Probe. The P6107 external clock probe is identical to the serial data probe, but the input capacitance compensation is slightly different (20 pf for the external clock probe, 40 pf for the serial data probe). See the *External Clock Probe Compensation* paragraph in *Section 3* for instructions on adjusting the probe compensation.

This probe receives an external clock signal when the 318/338 is operating in synchronous mode.

Data Buffers, Delay Lines, and First Latches. Data acquired by the P6451 probe is sent differentially to a data buffer. The output of the data buffer is routed to a delay line which is used to adjust the setup/hold timings between data and clock. This delayed data is latched by the first latch. Glitch recognition is also performed by the IC containing this latch.

External Clock Circuit. An external clock from the P6107 probe is buffered by the FET buffer and converted to ECL level by the ultra-fast comparator. Clock delay is adjusted by a delay line with taps connected to the output of the comparator.

Clock Selector. The internal clock, or the external clock's rising or falling edge, can be selected with this selector.

Word Recognizer. Three kinds of word recognition (Word A, B, and C) are performed by the word recognizer (WR). The outputs of the first latches are supplied to these WRs.

Threshold Circuit. The ROM/Threshold board provides threshold levels for each of the parallel data probes and for the external clock probe.

ACQUISITION CONTROL BOARD (A03)

This board controls all parallel data acquired through J3 on the Mother board.

Qualifier Selector. Qualifier signals from the parallel data inputs are selected by the qualifier selector as either a trigger qualifier or a clock qualifier. Polarity is also selected by this circuit.

Strobe Generator. The strobe generator provides four timing clocks to control triggering and data writing. All timing clocks are adjustable by tapped delay lines and variable capacitors. This generator is enabled by the clock qualifier signal.

Trigger Sequencer. The trigger sequencer performs complex triggering according to the data written in the Sequencer RAM (SQRAM). Three outputs from the word recognizers, and the outputs from the glitch trigger are connected to the SQRAM inputs. The trigger sequencer sets the various flags on each word recognition and, once the trigger combination is satisfied, starts the delay counter.

Event/Delay Counter. LSI-A, specially developed by Sony/Tektronix, contains a 16-bit synchronous counter used as the event/delay counter. This counter has two functions: trigger event counting and delay counting.

ACQUISITION MEMORY BOARD (A04)

100 MHz Oscillator. A 100 MHz crystal-controlled oscillator is used for asynchronous parallel acquisition. This clock is divided by a 1-2-5 sequence with LSI-B (A04 U140), to produce a 20 ns to 500 ms range.

Sampled Data RAM and Glitch RAM. In the 318, a 32 X 256-bit high-speed RAM is used for storing both sampled data and glitch data. In the 338, a 32 X 256-bit high-speed RAM is used for sampled data, and a separate 8 X 256-bit RAM is used for glitch data.

Acquisition Address Counter and Carry Flag F-F. Two 4-bit synchronous counters are used as acquisition address counters to provide addresses for the sampled data RAM and glitch RAM. The carry flag F-F holds the carry condition once the address counter is full.

Output Multiplexer. Data written in the sampled data RAM, the glitch RAM, and the acquisition status register can be read by the MPU. This multiplexer selects the data to be sent to the MPU.

MAINFRAME

ROM/THRESHOLD BOARD (A05)

The ROM/Threshold board is installed into J5 on the Mother board.

ROM. Six 16K X 8-bit mask ROMs and one 8K X 8-bit EPROM are mounted on the ROM/Threshold board. Part of the ROMs are configured into four pages, since only 64K bytes of the 112Kbyte total can be addressed at a time.

Threshold Circuit. The threshold circuit contains two latching digital-to-analog converters. This circuit provides three kinds of threshold levels: V1, V2, and V3 $\{(V1 + V2)/2\}$ for both parallel and serial probes.

MPU/DISPLAY BOARD (A06)

The MPU board is plugged into the J06 card-edge connector on the Mother board. The MPU board contains a Z-80A microprocessor, RAMs, a display controller, a character ROM, bus buffers, key control logic, and oscillators for the MPU and TV timings.

Microprocessor. A Z-80A microprocessor controls all operations for diagnostics and data acquisition.

RAMs. Two 1K X 8-bit static RAMs are used by the MPU to store data and flags.

Display Controller and Character ROM. This integrated circuit, developed by Sony/Tektronix, controls the 318/338 display data stored in the display RAM. The display controller decodes control codes for inverse video, blinking, other special display codes, and letter codes by referring to the character ROM. It then generates control signals for the CRT.

Bus Buffer. All address buses and data buses are buffered to provide sufficient fan-out to drive several boards connected to the bus through the Mother board.

Key Control Logic. Key signals from the keyboard are encoded by a priority encoder and are sent to the MPU as a key code with an interrupt. All keys (except the STOP key) can be masked by the MPU with the keyboard mask bit.

MOTHER BOARD (A08)

The Mother board provides interconnection for boards A01 through A07 through connectors J1 to J7. In addition, this board routes power to all boards and has connectors for the keyboard and the CRT boards.

KEYBOARD (A09)

The keyboard serves as the operator's interface. The operator selects the menu to be displayed and sets up the instrument from the keyboard. All functions of the 318/338 can be controlled from this keyboard in the local mode. Pressing any key will cause an interrupt to be sent to the MPU, along with the key code corresponding to the key pressed.

CRT BOARD (A10)

CRT. The CRT is a four-inch raster-scan type.

CRT Circuit. The CRT circuit provides z-axis voltage and the horizontal and vertical deflection-current outputs that are used for the CRT. A flyback transformer in the horizontal deflection circuit provides the high voltage and other CRT electrode voltages.

POWER SUPPLY (A11 AND A12)

The power supply provides dc voltages of -3.3 V, -12 V, +12 V, -5 V, -2 V, and +5 V to operate the 318/338 circuitry. It also supplies voltage for the fan motor. It operates in the line input range of either 90 to 132 V ac or 180 to 250 V ac at 48 Hz to 440 Hz single-phase.

LEFT-SIDE PANEL

A BNC connector for video-output is mounted on the left side panel. The BNC is connected to the MPU/Display board through the Mother board. If option 01 is installed (318S1/338S1), a second BNC connector for the P6107 serial data probe and a 25-pin male connector for the RS-232C port are added.

318S1/338S1 (A07)

The 318S1/338S1 Logic Analyzer has the I/O circuit board (A07) plugged into J7 of the Mother board. The 318S1/338S1 contains three added functions:

- Serial State Analysis
- RS-232C Interface (Remote)
- Non-Volatile Memory

Serial Input Comparator. Serial data from the P6107 serial data probe is supplied to the serial input comparator and is converted to a TTL-level signal.

Serial I/O Controller. The Serial Input/Output (SIO) controller handles serial-to-parallel conversions. The SIO contains two serial data transceivers, Port-A and Port-B. Port-A is used for serial data acquisition and Port-B is for RS-232C control.

DETAILED CIRCUIT DESCRIPTIONS FOR THE 318

The following paragraphs contain theory of operation information for the 318 Logic Analyzer. For information on the theory of operation for the 338 Logic Analyzer, refer to the Table of Contents and following sections of this chapter.

318 A01 INPUT A BOARD <1> <2> **A02 INPUT B BOARD <3> <4>**

The Input section consists of the Input A (A01) and the Input B (A02) boards. The block diagram for these boards is shown in Figure 4-1. Since both of these boards share the same function, they are discussed as a unit in this description.

OVERVIEW

Refer to schematics <1> and <3>. The acquisition stages consist of 16 discrete units that perform data sampling and glitch recognition. Sixteen channels of data to be sampled come into the unit from the P6451 parallel data probe. Each of the acquisition stages feeds data to the acquisition RAM where it can be read by the MPU. The same data from the parallel data probe is supplied to the glitch recognition lines, and the 16 glitch recognition outputs are combined and applied to the glitch trigger circuits.

To help explain the operation of the data channels, we will trace the operation of channel 8. Refer to the schematic <3>.

A02U202 receives ECL-level differential data from channel 8 of the parallel data probe. The data enters the circuit board via pins 22 and 10 of J204, and connects to pins 10 and 9 of A02U202.

The data is applied to the differential inputs of a receiver. From the receiver, the data is sent through the delay line DL1 06A to enable the timing to meet its setup-and-hold-time specification. On the rising edge of each clock (entering A02U202 at pin 1), data, glitch, and glitch trigger are clocked, then sent off from pins 8, 2, and 14, respectively.

Operation of channels A02U204, A02U206, A02U208, A02U210, A02U212, A02U214, A02U216, A02U100, A02U102, A02U104, A02U106, A02U108, A02U110, A02U112, and A02U114 are the same as for channel 8 (A02U202).

The glitch output goes high if at least two data transitions occur between rising edges of the clock.

If the glitch recognizer off/on line (pin 15, GRC) is low, the glitch recognizer out line (pin 14, GR) indicates the presence of one or more glitches. (The GRC line is controlled by shift registers A02U118 and A02U218.) If the GRC line is high, the output line from pin 14 is disabled. The glitch trigger outputs of the 16 M21 8s are wire-ORed together. so whenever any channel detects a glitch, that line moves to high.

ADDRESS DECODER <2>

The address decoder circuit consists of A01 U130 and A01U132. A01U132 is a TTL-to-ECL-level converter. U130 decodes I/O addresses 00, 01, 02, and 03. I/O address 00 (A01U130 pin 11) is used to write trigger word data into the Word Recognizer memory from channel 0 to channel 15. I/O address 01 (A01U130 pin 10) is a clock selector port. I/O address 02 (A01U130 pin 9) resets the word recognizer memory address counter. This port also controls glitch trigger on and off. I/O address 03 (A01U130 pin 7) increments the word recognizer address counter.

EXTERNAL CLOCK INPUT <4>

The external clock input is a high input-impedance (1 M Ω) buffer. Transistor A04Q108A is connected as a source follower. Transistor Q108B maintains a constant current flow through A04Q108A. The dc balance adjustment, R234, sets the dc offset voltage of the source follower to 0 V.

EXTERNAL CLOCK COMPARATOR <4>

A02U236A compares the input signal from the source follower with a reference voltage divided by A02R238, A02R239, and A02R240. This circuitry multiplies one-fourth the CLK Threshold level from the A05 ROM/Threshold board by two-fifths to match the P6107 external clock probe attenuation ($1/4 \times 2/5 = 1/10$). If the input signal level is more positive than the reference voltage, A02U236 pin 1 is high and A02U236 pin 2 is low R239 compensates for the Q108's source-drain resistor variation.

CLOCK SELECTOR <4>

Data from shift register A02U224 controls A02U222A, A02U226B, A02U226A, and A02U244A. The MPU sets one of these gates to low (enabled); then EXT \uparrow , EXT \downarrow , or INT CLK is selected.

These gates have three outputs. One clocks eight M218s on the A02 Input-B board, another clocks eight M218s on the A01 Input-A board, and the third is distributed to the A03 ACQ Control board.

GLITCH CONTROL <2> <3> <4>

This circuit controls pin 15 of the M218s. M218's pin 15 is used to control pin 14's output. If pin 15 is forced high, glitch trigger output pin 14 is disabled (kept low): if pin 15 is low, pin 14 is enabled. Therefore, if a glitch trigger on a certain line is expected, the corresponding M218's pin 15 must be low. Since all M218 pins 14 are wire-ORed, a glitch trigger occurs when any of M218's glitch trigger output moves to high. A01 U118 <2> and A02U218 <3> control M218's pin 15; these registers are written to serially; they output their data in parallel to their respective M218s. A02U240 <4> shifts the MPU data and clock signals by --5 V, and shifts the TTL swing to match the M21 8's special input level.

PIPELINE REGISTER <1> <3>

This circuit consists of latches A01U122, A01U128, and A01U134 <1>, and latches A02U228, A02U234, and A02U238 <3>. The sampled data and glitch from the M218s are applied to the inputs of the pipeline registers. The pipeline registers synchronize the data for storage in the acquisition (ACQ) memory. Clock signals for the register are provided by the SYSCLK 2 signal which is delayed by A01DL104 <2> (delayed SYSCLK 2 is called SYSCLK 3) and buffered by A02U200C <4> . Each SYSCLK 2 pulse advances the data from the M218 to the register, where it is held for one clock cycle before being loaded into the ACQ memory.

WORD RECOGNIZER <1> <2> <3>

The Word Recognizer (WR) consists of three 16-channel word recognizers with high-speed memories. The 318 offers three word recognizer functions where three different words may be set simultaneously. They are named trigger words A, B, and C. The MPU loads data into A01U120 <1 > and A02U220 <3>, according to the trigger word, using A01 U124 <2>, A01 U126 <2>, A02U230 <3>, and A02U232 <3> (memory address counters). The MPU increments these counters one by one and loads data for trigger word A, B, or C into A01 U120 and A02U220. Each WR RAM has 8 address lines and three data lines. Data from the M218s is used as address for the WR RAM. Within the WR RAM, data is only three bits wide, corresponding to triggers A. B, and C.

The MPU writes data, according to the trigger word, into the WR memory and increments the address counters. This operation is repeated 256 times. For example, to set the trigger word 7638hex, the MPU writes 0 into the lower WR memory where the address counter value is 38hex, and 0 is written to the higher WR where the counter value is 76hex. In all the other addresses, the WR's are filled with is.

During acquisition, data is supplied to A01U120 and A02U220 address inputs, and if a trigger word comes, A01U120 and A02U220 (whose outputs are wired-ANDed) generate a trigger signal which is sent to the A03 Acquisition Control board.

DATA THRESHOLD BUFFER <4>

The currents from edge-connectors 38B and 39A are applied to the inverting inputs of A02U242B and A02U242A, (gain of minus one) and the currents from A02J202 pins 4 and 5 and A02J204 are supplied to the non-inverting inputs of these amplifiers to be summed. The input is divided down to 5/8 of the original value before it is sent to the non-inverting inputs of A02U242A and A02U242B. The output current of these amplifiers is then supplied through A02R262 and A02R256 to the parallel data probe.

PROBE COMPENSATION <4>

In the probe compensation mode, an external clock is supplied to the ACQ memory as data through A02U244A and A02U244B gates. Channel 8 of the acquired data is used as the trigger, and channel 9 is used for data (U228-6,7 <3>). The MPU recognizes over- or under-compensation from the acquired data of channel 9. (Channel 9 is the result of the clock signal compared with Threshold A.)

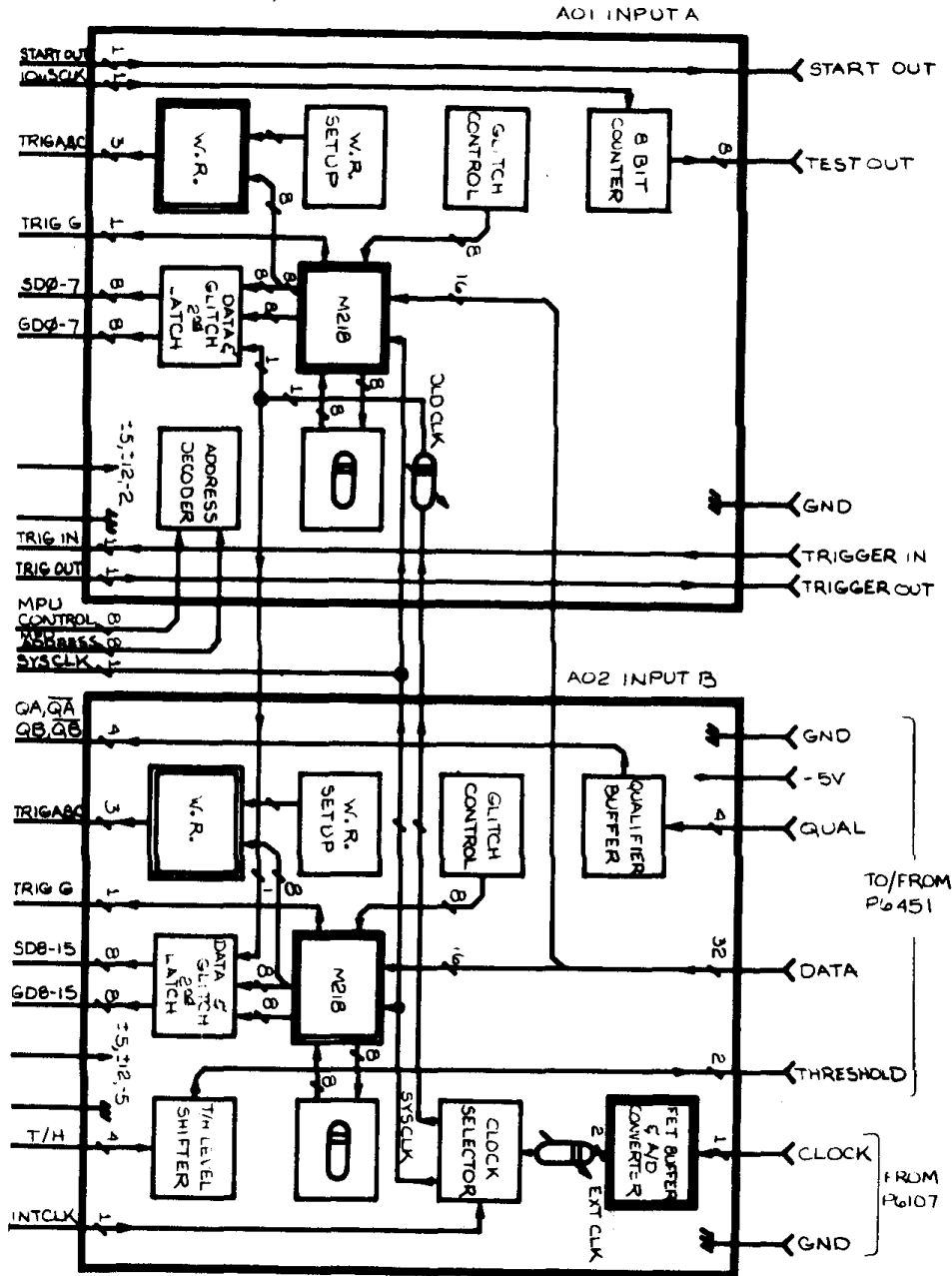


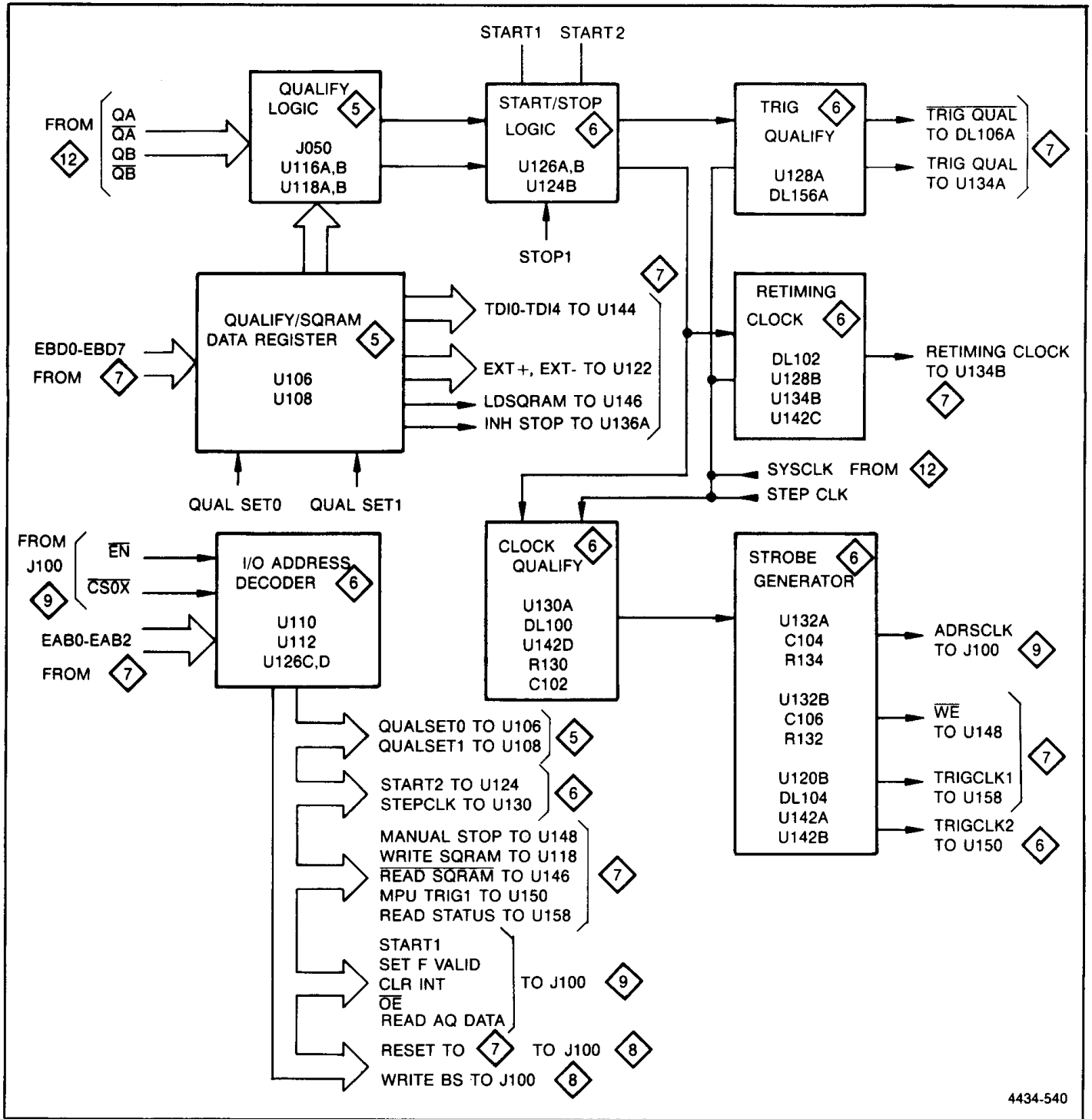
Figure 4-1. 318 Input A and Input B block diagram.

4434-580

318 A03 ACQ CONTROL BOARD <5> <6> <7>

The A03 Acquisition Control board (parallel data) has two registers and memory that acquisition parameters are loaded into before data acquisition. It also contains other circuitry that controls the trigger sequence and the acquisition memory. Simplified block diagrams are shown in Figures 4-2 and 4-3.

Figure 4-2 shows a simplified version of all the circuitry on schematics <5> and <6>. Figure 4-3 shows a simplified version of schematic <7>.



4434-540

Figure 4-2. 318 Simplified diagram of the ACQ control circuitry on schematics <5> and <6>.

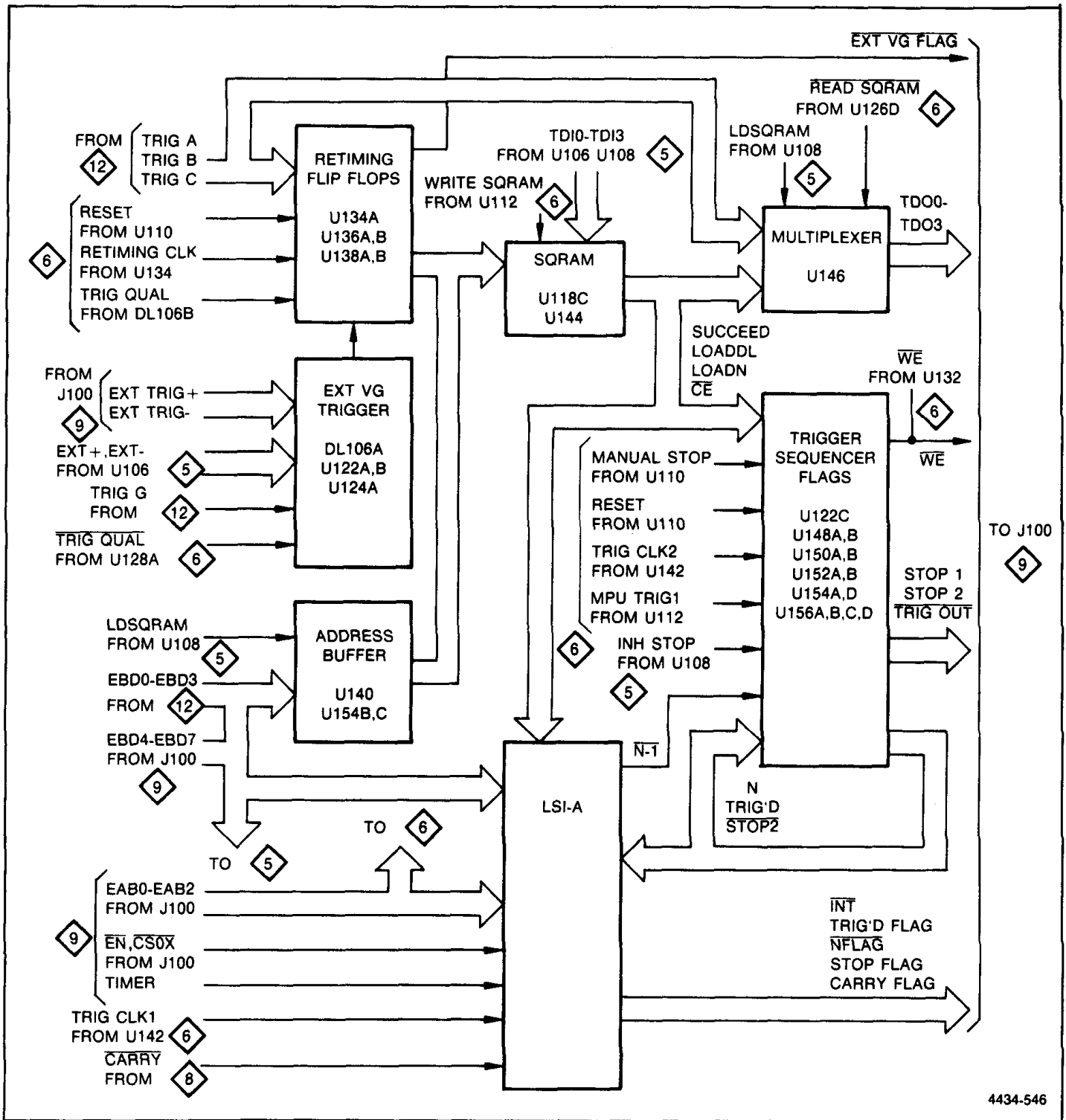


Figure 4-3. 318 Simplified diagram of the ACQ control circuitry on schematic <7>.

I/O ADDRESS DECODER <6>

The I/O address decoder consists of A03U110 and A03U112. The circuit provides a single pulse, used to activate a preselected device which then communicates with the MPU and controls the start logic and trigger sequencer circuits. Device selection is made using the lowest three bits of the address bus during I/O instruction execution on the ACQ Control board.

QUALIFY/SQRAM DATA REGISTER <5>

The qualify/SQRAM data register consists of A03U106 and A03U108.

This register is shared by two separate functions. When loading parameters into the SQRAM, A03U106 and A03U108 are used as the data register. To provide data to the SQRAM, the MPU writes the data into A03U106 and A03U108 at I/O addresses 50_{hex}

and 51_{hex}, respectively. The data format is illustrated in Figure 4-4. The outputs of A03U106 and A03U108 are connected to the SQRAM inputs. The signal, LDSQRAM (A03U108 pin 14), is high when data is loaded from this data register into the SQRAM.

During an acquisition, A03U106 and A03U108 are used as the qualify register. Qualify data and other control bits are written to them at I/O addresses 50_{hex} and 51_{hex} respectively. The format is illustrated in Figure 4-5.

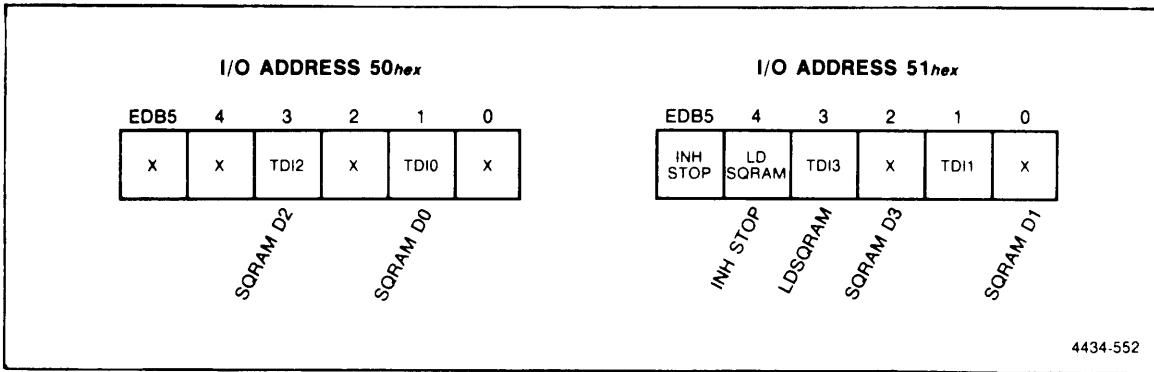


Figure 4-4. 318 SQRAM data register format.

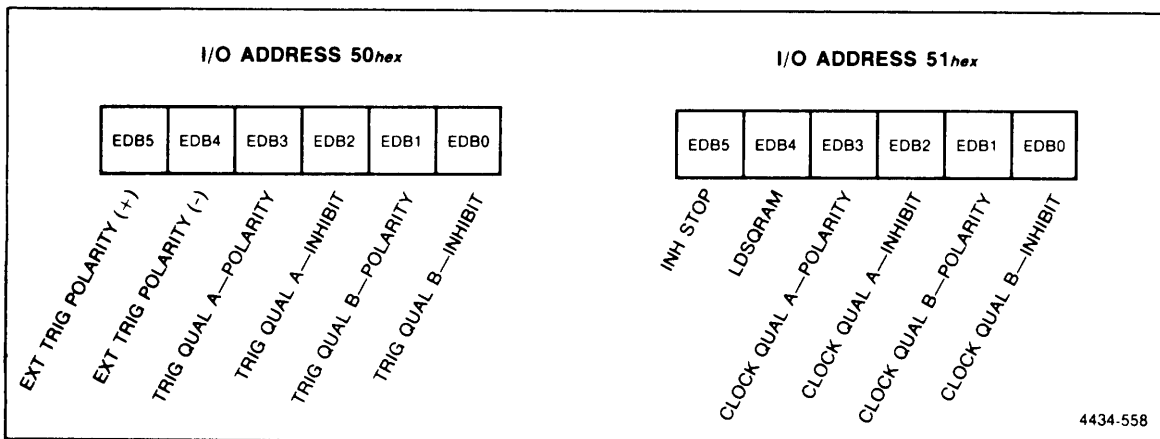


Figure 4-5. 318 Qualify register format.

QUALIFY LOGIC <5> <6>

The qualify logic circuit consists of A03U 118A, B, A03U1 16A, B. The qualifier signals QA, QB, \overline{QA} , and \overline{QB} come from the A02 Input B board. Their signals are wire-ORed with the outputs of the Qualify Register, A03U106 and A03U108, and go to the EXOR gates A03U116 and A03U118 <5> where their polarities are selected according to the polarity selection bits. Each output of the EXOR gates is wire-ANDed and these signals go to gates A03U126A and A03U126B <6> of the start logic circuit.

START/STOP LOGIC <6>

The start/stop logic circuit consists of A03U124B, A03U126A,B. When data acquisition starts, the START1 pulse is generated at I/O address 56_{hex} and goes to the clock input of A03U124B.

The output signal of this flip-flop enables the trigger qualify and clock qualify signals. These signals pass through gates A03U126A and A03U126B to the inputs of the trigger qualify and the clock qualify flip-flops.

To read the acquired data from the ACQ memory on the A04 board, START2 is issued at I/O address 55_{hex} . START2 enables ADRS CLK, which clocks the memory address counter. At the end of the data acquisition phase, the signal STOP1 (A03U156A pin 2) is issued by the STOP flag output of A03U158. At the end of the read from ACQ memory operation, MANUAL STOP is generated at I/O address 53_{hex} .

TRIGGER QUALIFY FLIP-FLOP <6>

The trigger qualify flip-flop circuit is A03U128A. The TRIG QUAL signal is clocked into the D-type flip-flop from A03U126A every system clock cycle.

The output of A03U128A connects to one of the retiming flip-flops through delay line A03DL106B.

RETIMING CLOCK <6>

The retiming clock circuit consists of A03U 128B, A03C100, A03R136, A03DL102, A03U 134B, and A03U142C. The pulse generated by A03U128B, A03C100, and A03R136 is called the retiming clock. This pulse travels through delay line A03DL102 to the clock pin of A03U134B.

The pulse delay time is adjusted by selecting a tap of A03J200. The pulse is used as the retiming clock which regulates when trigger data is latched into the retiming flip-flops.

CLOCK QUALIFY FLIP-FLOP <6>

The clock qualify circuit consists of A03U130A, A03DL100A,B, A03U142D, A03R130, and A03C102.

The pulse generated by A03U 130 and A03DL100B travels through A03DL100A and A03U 142D to the clock pins of A03U130B, A03U132A, and A03U132B as the the trigger pulse for the strobe generators.

STROBE GENERATOR <6>

The strobe generator contains the write enable (\overline{WE}) circuit, the address clock (ADRSCLK) circuit, and the trigger clock (TRIGCLK1, TRIGCLK2) circuit.

The write enable (\overline{WE}) Clock circuit consists of A03U132B, A03R1 12B, A03R132, and A03C106. The output of A03U132B is wire-ORed with the output of the STOP flag and goes to the write enable inputs of the ACQ memory devices on the A04 board <8>.

During data acquisition, data acquired from the parallel data probes is written into memory at the location pointed to by the address counter. At the end of the data acquisition phase, the output of the STOP flag pulls the \overline{WE} signal line high, and data acquisition stops.

The width of the \overline{WE} pulse is determined by adjustable capacitor A03C106.

The address clock (ADRCLK) circuit consists of A03U132A, A03R112A, A03R134, and A03C104. The address clock pulse generated by this circuit is applied to the clock inputs of address counter A04U136 and A04U138 on the A04 board <8>.

During data acquisition, the address clock pulse, ADRCLK, is routed to the address counter, which supplies the location for the ACQ memory on the A04 board.

In the data read mode, the address clock is generated by STEP CLOCK.

The width of the address clock is determined by A03C104 <6>.

The trigger clock circuit consists of A03U130B, A03DL104A, A03DL104B, A03U142A, and A03U142B. The pulse generated by the A03U130B and A03DL104B travels through A03DL104A to the trigger sequencer flags, at A03U150 and A03U148, and LSI-A <7>. TRIGCLK1 goes to LSI-A; TRIGCLK2 goes to the trigger sequencer flags.

The trigger sequencer advances at the rate of the TRIG Clock as events are recognized.

NOTE

Refer to Figure 4-3 for a simplified block diagram of the ACQ control circuitry on schematic <7>.

EXTERNAL OR GLITCH TRIGGER CIRCUIT <7>

The external or glitch trigger circuit consists of A03U122A, A03U122B, A03U124A, and A03DL1 06A.

The external trigger polarity is selected by gates A03U122A and A03U122B.

The polarity data EXT \uparrow and EXT \downarrow come from qualify register A03U106 <5>.

The external trigger signal selected is fed into the clock input of A03U124A. The glitch trigger is connected to the reset pin and the TRIG QUAL signal is connected to the set pin.

Flip-flop A03U124A is enabled while TRIG QUAL is low. The output of EXTVG FLAG is connected to the input of one of the retiming flip-flops (A03U138A). _____

RETIMING FLIP-FLOP <6>

The retiming flip-flops consist of A03U138A, A03U138B, A03U136A, A03U136B, and A03U134A.

The signals TRIG A, TRIG B, TRIG C, EXTVG FLAG, and TRIG QUAL are latched into each flip-flop by the retiming clock (RETIMING CLK).

TRIG A, TRIG B, and TRIG C are issued from the word recognizer on the A01 and the A02 boards.

The outputs of these flip-flops are wire-ORed with the outputs of the address buffer (A03U140, A03U154B, and A03U154C) and go to the address inputs of the SGRAM (A03U144).

ADDRESS BUFFER <7>

The address buffer consists of A03U140, A03U154 B, and A03U154C. These gates can be enabled only while setting up the SGRAM (A03U144). Their outputs are used as the address to the SGRAM when loading the trigger sequence table. See Trigger Sequencer RAM, following.

The control signal of the gates comes from A03U108 <5> and is called LDSGRAM.

TRIGGER SEQUENCER RAM <7>

The trigger sequencer RAM (SORAM) is a 4-bit high-speed memory consisting of A03U144.

The memory can be operated in either read or write mode. Before acquisition, the memory is operated in write mode. During acquisition, the SGRAM is operated in read mode.

To provide a trigger sequencer table to the SGRAM, the MPU writes the data already set in data registers (A03U106 and A03U108 <5>) into the SGRAM at I/O address 58_{hex} . The address to the SGRAM is supplied by the MPU data.

The memory address is determined by the current status of the retiming flip-flops. The data from the SGRAM is applied to the trigger sequencer flags.

The data consists of four signals: \overline{CE} , LOADL, LOADDN, and SUCCEED.

The signal CE enables the event delay counter in the LSI-A.

The LOADN signal indicates that the contents of the N register (which holds the N value in LSI-A) are loaded into the event/delay counter at the rising edge of the trigger clock.

The LOADDL signal indicates that the contents of the DL register (which holds the delay value in LSI-A) is loaded into the event delay counter by the trigger clock.

The SUCCEED signal is used when the trigger sequence is in the succeed mode. The trigger words must be satisfied sequentially in order to generate the trigger.

TRIGGER SEQUENCER FLAG <7>

The trigger sequencer flag circuit consists of A03U150A, A03U150B, A03U148B, A03U148A, A03U152A, A03U152B, A03U156C, A03U154A, A03U1566B, A03U154D, A03U156A, A03U156D, and A03U122C.

It contains four main flags: N flag, TRIG'D flag, SUCCEED flag, and STOP flag.

N Flag Circuit. The N flag circuit consists of A03U150B, A03U152B, and A03U152A.

The output of the carry flag of the event/delay Counter In LSI-A $\overline{N-1}$ goes to low when word A has been counted N-1 times. This bit is applied to the inputs of the N flag flip-flop (A03U150B).

The flag is set high at the next word A and held high until trigger word B arrives.

When the reset word C comes before the trigger word B, the signal LOADN is issued from the SGRAM, and the N flag is reset.

TRIG'D Flag Circuit. The TRIG'D flag circuit consists of A03U150A and A03U156C. When the trigger word comes from the parallel data probe, the LOAD DL signal (which is the output of the SGRAM) goes to high, and the TRIG'D flag is set at the rising edge of the trigger clock.

At the same time, the contents of the DL register are loaded into the event/delay counter and the delay count is started.

The trigger circuit is looped through A03U156, so the flag can not be reset until the acquisition phase is completed.

SUCCEED Flag Circuit. The SUCCEED flag circuit consists of A03U148B, A03U156B, and A03U154A.

This flag is used only when the trigger mode is a three-word successive trigger sequence, such as "N*WA FLW'D BY B FLW'D BY C," or "N*WA THEN B THEN C," or "N*WA FLW'D BY B THEN C." In this mode, when trigger word B arrives from the parallel data probe, the SUCCEED signal (which is output by the SGRAM) goes to high and the succeed flag is set at the rising edge of the trigger clock. The TRIG'D flag follows the SUCCEED flag when word C is acquired. If the acquired data could not form a successful trigger sequence, the LOADN signal is issued from A03U144 to reset the N flag and the SUCCEED flag.

STOP Flag Circuit. The stop flag circuit consists of A03U154D, A03U148A, A03U122C, A03U156A, and A03U156D.

The stop flag is set after the delay counter in LSI-A is counted out. It disables three circuits as follows:

1. Prohibits write operations to the ACQ memory by forcing the \overline{WE} signal line high.
2. Disables the input clock by resetting the start flag flip-flop A03U124B <6>.
3. Disables the ACQ address counter (A04U136 and A04U138 <8>) on the A04 ACQ Memory board.

When data acquisition is restarted, the stop flag is reset by the RESET signal.

SGRAM DATA/WORD RECOGNIZER DATA MULTIPLEXER <7>

This circuit consists of A03U146. It is used only for the diagnostic test of the SGRAM and the word recognizer.

LSI-A A03U158 <7>

LSI-A is a bipolar LSI circuit designed by Sony/Tektronix. LSI-A includes an address decoder, 16-bit N register, 16-bit DL register, 16-bit synchronous preloadable counter with fast-carry propagation logic, the mask register, and the acquisition status logic.

Address Decoder. The address decoder provides necessary pulses for the initialization and presetting of the above circuits. Circuit selection is made using the three LSBs of the address bus from the MPU, while $\overline{CS0X}$ is low.

N Register. The N register is a 16-bit register that holds the N value assigned in the Trigger menu. The MPU writes the N value into the N register at I/O addresses 41_{hex} and 42_{hex} .

DL Register. The DL register is a 16-bit register that holds the DELAY value assigned in the Trigger menu. The MPU writes the DELAY value into the DL register at I/O addresses 43_{hex} and 44_{hex} .

Mask Register. The Mask register is a 5-bit register that holds mask bits for interrupts. The MPU writes the mask data into the mask register at I/O address 40_{hex} .

Event/Delay Counter. The event/delay counter is a 16-bit synchronous preloadable counter with fast-carry propagation logic.

The counter is controlled by three signals: \overline{CE} , LOADN, and LOADDL which are described in Table 4-A. The counter includes carry detection Logic which generates the $\overline{N-T}$ signal when it counts out.

ACQ Status Logic. The ACQ status consists of four flags (DTFLG, WAFLG, STFLG, and CRFLG) and the \overline{INT} signal.

The MPU gets these signals (except \overline{INT}) by issuing RDSTS at I/O address $5D_{hex}$.

\overline{INT} is caused by any state change of any flag, and each flag bit can be masked by the mask bit of the mask register.

The function of each signal in LSI-A is shown in Table 4-1.

Table 4-1.
318 LSI-A INPUT SIGNALS

Signal Names	Description
\overline{EN}	Active low; indicates that the MPU provides data on the data bus (DO-D7) to LSI-A.
\overline{CSox}	Active low; indicates that the MPU accesses the LSI-A.
AO-A2	The data for the address decoder located in the LSI-A.
DO-D7	The data bus. The MPU puts data for LSI-A on the bus.
TRIG CLK	Active high; connected to the clock input of the event/delay counter. The counter increments or loads the contents of the N register or the DL register according to the control signals.
\overline{CE}	Active low; the count enable signal. The counter increments at the rising edge of TRIG CLK if \overline{CE} is low.
LOADN	Active high; if high, the N value of the N register is loaded into the counter at the rising edge of TRIG CLK.
LOADDL	Active high; if high, the DELAY value of the DL register is loaded into the counter at the rising edge of the TRIG CLK.
TIMER	Timer from LSI-B (A04U140 <9>) occurs at a constant interval after it is cleared by the CLR INT signal at I/O address $5F_{hex}$.

Table 4-1. (cont.)
318 LSI-A INPUT SIGNALS

Signal Names	Description
TRIG'D	Active high; the output of the TRIG flag. It indicates that the Trigger sequencer is triggered.
RESET	Clears the flip-flop in LSI-A that temporarily saves the TRIG'D signal.
\overline{N}	Active low; the output of the N flag. Indicates that NA in the Trigger sequence is completed.
$\overline{STOP2}$	Active low; the output of the STOP flag. Indicates that data acquisition is complete.
\overline{CARRY}	Active low; set by the carry flip-flop on the A04 board, which detects a carry condition of the ACQ memory address counter.
RDSTS	Generated at I/O address 5D _{hex} by the MPU to request the status signals.

Table 4-2.
LSI-A OUTPUT SIGNALS

Signal Names	Description
$\overline{N-1}$	Active low; generated as a carry when the event/delay counter counts full.
\overline{INT}	Active low; the output of INT flag in LSI-A. The MPU receives \overline{INT} when an interrupt in the ACQ status logic occurs. INT is caused by any change of any status signal, and the flag is reset by RDSTS.
\overline{WAFLG}	Active low; read as \overline{NFLAG} by the MPU issuing RDSTS. WAFLG is the output of the same latch which N is latched into by the RDSTS signal.
DNFLG	Active high; read as TRIG'D FLAG by the MPU issuing RDSTS. DNFLG is the output of the same latch which TRIG'D is latched into by the RDSTS signal.
STFLG	Active high; read as STOP FLAG by the MPU issuing RDSTS. STFLG is the output of the same latch which $\overline{STOP2}$ is latched into by the RDSTS signal.
CAFLG	Active high; \overline{CARRY} is read as CARRY FLAG by the MPU issuing RDSTS. CAFLG is the output of the same latch which \overline{CARRY} is latched into by RDSTS.

318 A04 ACQ MEMORY BOARD <8> <9>

ACQUISITION MEMORY AND ACQ ADDRESS COUNTER <8>

The acquisition memory and ACQ address counter circuit consists of data memories for parallel acquisition and an address counter for these memories. A simplified diagram of the acquisition memory and ACQ address counter is shown in Figure 4-6.

Chip Select Latch. The chip select latch (A04U114) is used to enable each 8-bit pair of the acquisition memory and for identifying instrument type. It is written by the MPU with the WRITE BS signal from the A03 ACQ Control board.

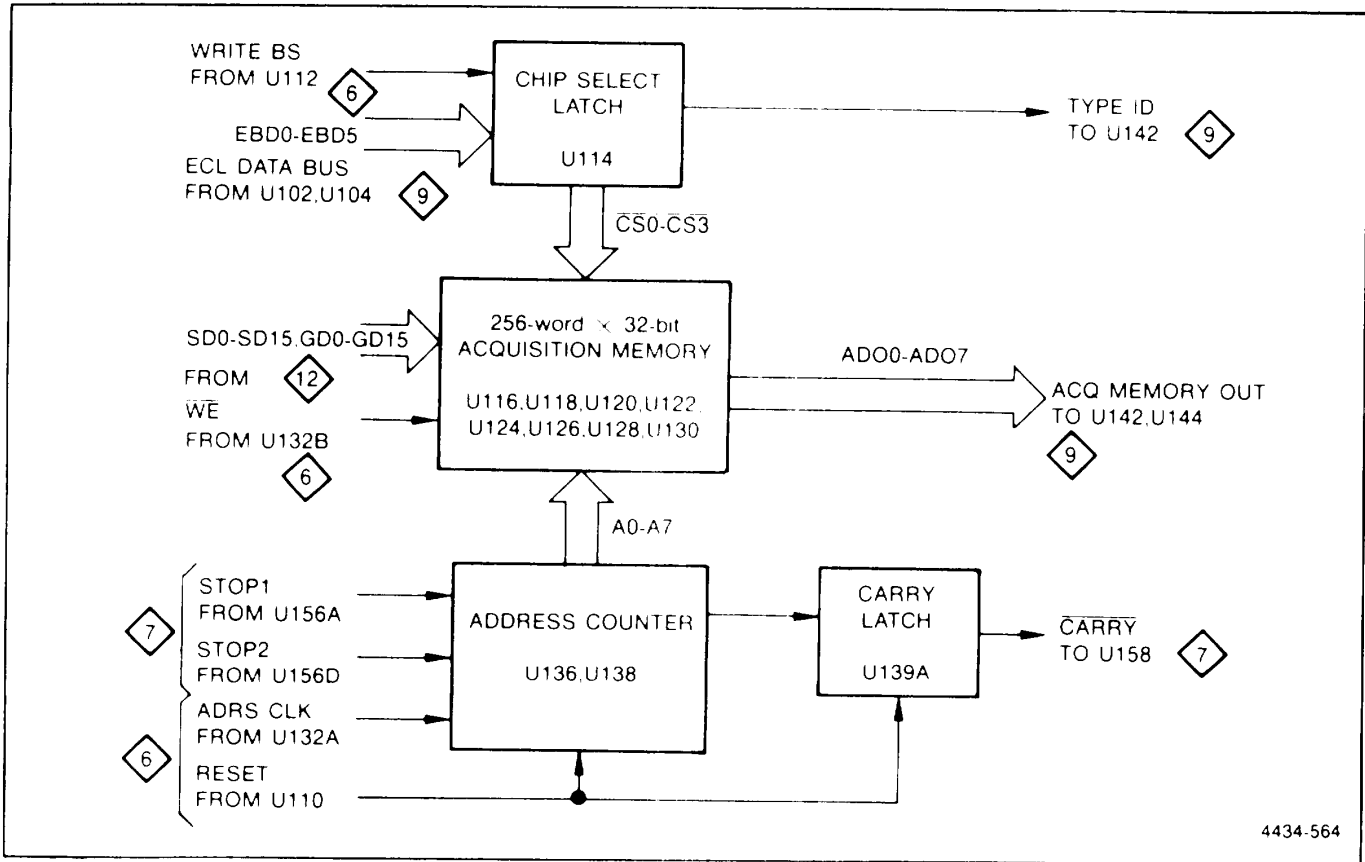


Figure 4-6. 318 Simplified diagram of the acquisition memory and ACQ address counter circuit.

Acquisition Memory. The 256-word X 32-bit high-speed memory consists of RAMs A04U116, A04U118, A04U120, A04U122, A04U124, A04U126, A04U128, and A04U130. The ACQ memory location of each data bit to be stored is controlled by the address counter. These memories operate in either write or read mode. In the write mode, the low level of the \overline{WE} pulse, applied to pin 8 of each RAM, stores the input data in the location defined by the ACQ Address Counter. During the write operation, a low on the $\overline{CS0}$, $\overline{CS1}$, $\overline{CS2}$, and $\overline{CS3}$ lines enables the RAMs. When the RAMs are in the read mode, a high on their WE input prevents them from accepting new data. Data in the RAMs can be sequentially read by incrementing the ACQ address counter after each read operation. The outputs of the RAMs are connected to the data selector (A04U142 and A04U144 <9>).

ACQ Address Counter and Carry Latch. The ACQ address counter designates the memory location of each data bit to be stored. The counter, consisting of A04U136 and A04U138, is a synchronous, 8-bit (divide by 256) binary counter which is reset to zero by the RESET signal from the A03 ACQ Control board at the beginning of each acquisition.

The counter outputs Q0 through Q3 are connected to the address inputs of A04U116, A04U118, A04U120, U122, A04U124, A04U126, A04U128, and A04U130.

Counter U138 provides a carry output to the carry latch (A04U139A). After one full memory cycle, the carry latch provides a latched low-level signal on the output of A04U139A pin 2. It serves as the address counter \overline{CARRY} signal.

TIMEBASE AND MPU BUS INTERFACE <9>

The timebase and MPU bus interface circuit consists of the frequency divider, timer, slow clock detector, INTCLK buffer, data selector, full valid flag latch, TTL-to-ECL translator, ECL-to-TTL translator, and address decoder. A simplified diagram of this circuit is given in Figure 4-7.

TTL-to-ECL Translator. The TTL-to-ECL translator consists of A04U100, A04U102, A04U104, A04U106, and A04U108. It accepts a TTL-level signal from the MPU bus and translates it into a differential ECL-level signal.

Address Decoder. The address decoder consists of A04U112C and A04U110. It provides the chip-select and enable signals which select the specific device needed to communicate with the MPU. This selection is made by outputs from the 3-line-to-8-line decoder, A04U110. Gate A04U112C supplies the I/O enable signal, \overline{EN} (which is an ORed signal of BRD and BWR).

Oscillator. The oscillator circuit consists of A04U112A and A04U112B. Crystal A04Y100, and A04U112A form a 100 MHz crystal-controlled oscillator. The 100 MHz oscillator is buffered by A04U112B before being divided by A04U140 (LSI-B).

Divider, Timer, and Slow Clock Detector. The divider, timer, and slow clock detector are contained on LSI-B (A04U140). More information about LSI-B is provided under the LSI-B (A04U140) paragraph later in this section.

The frequency divider provides the 20 ns to 500 ms clock output. A clock output is determined by the internal timebase selection register. The selected internal clock signal is sent to the INTCLK buffer A04U112D. The INTCLK selection data is shown in Table 4-5.

The timer generates the selected constant interval signal for an interrupt to the MPU. This signal is reset by the RDSTS signal.

The slow-clock detector circuit provides the capability to detect a slow sampling clock rate (clock less than 25 ms) in the external clock operation mode. When the clock rate is slow, the CLKSLW signal holds a high state and the MPU displays SLOW CLOCK on the screen. The timing diagram of the timer and the slow-clock detector circuit is shown in Figure 4-8.

INTCLK Buffer. The INTCLK buffer consists of A04U112D. It provides a power boost and improves the waveform shape for INTCLK signals on the bus.

Data Selector. The data selector consists of A04U142 and A04U144. It provides data selection of either acquisition memory output or acquisition status output. This data selector is controlled by the READ ACQ DATA signal.

When the MPU reads the acquisition memory data, it sets the SELECT input (pin 9, READ ACQ DATA signal) to high, and connects the acquisition memory data to the data selector output. If the SELECT input is low, acquisition status is selected, and the MPU reads acquisition status as data.

ECL-to-TTL Translator and TTL Bus Buffer. The ECL-to-TTL translator and TTL bus buffer consists of A04U146, A04U148, A04U150, A04U156, and A04U152. The ECL-to-TTL translator receives ECL-level signals from data selectors A04U142 and A04U144. A04U146, A04U148, and A04U150 are ECL-to-TTL translators with totem-pole outputs. A04U156 is a comparator with open-collector output for wired-AND capability. The TTL bus buffer, A04U152, provides power boost with tri-state control for the I/O common bus. It is enabled by the \overline{RD} and \overline{OE} signals.

Full Valid Flag Latch. The full valid flag latch consists of A04U139B. It provides the full valid data display mode. This latch is set by the SET F VALID signal and reset by the RESET signal from the A03 ACQ board.

LSI-B (A04U140). A04U140 is a Sony/Tektronix-designed hybrid chip that provides simplified circuit construction and reduced circuit board space and power consumption. Its circuitry consists of an address decoder, divider, timer, and slow-clock detector.

The address decoder circuit consists of four decoders that enable the MPU to select the sample interval, gate clock interval, timer clock interval, or step clock. The address decoder provides the necessary pulses for the initialization and presetting of these circuits. The selection is made by two bits of address and six bits of data from the MPU when $\overline{CS1X}$ is low.

The divider circuit consists of a 7-stage decade counter, and divide-by-2 and divide-by-5 counters based on a ring counter circuit. The output of these counters is delivered as the INTCLK signal via the 1-2-5 sequence selector.

The timer circuit consists of an output latch which is reset by the RDSTS signal from the A03 ACQ Control board. It generates a constant interval timing signal ranging from one to five multiples of the internally generated 100 ms clock.

The slow clock detector circuit consists of two shift registers and a control flip-flop. The CLKSLW signal is initialized to high level by the RDSTS signal.

If the SYSCLK signal is either high or low for two or more consecutive pulses, the internal shift registers are not clocked, and the low level at the input of the first shift register bit is not transferred to the second shift register; this causes the CLKSLW signal to be output.

When the SYSCLK is less than 25 ms (slow rate) the shift registers are clocked by SYSCLK. But the CLKSLW output is not changed because a control gate of the shift register closes before the second rising edge of SYSCLK arrives.

When the SYSCLK rate is fast (above 25 ms), the low-level pulse provided is successfully transferred to the CLKSLW output via the first and second shift registers.

The CLKSLW output's four conditions (high, slow, low, and fast) must be read before the start of each gate timing, because the CLKSLW signal is changed by the gated SYSCLK.

The function of each signal for the U140 is as follows:

Table 4-3.
318 LSI-B (A04U140) INPUT SIGNALS

Signal Names	Description
$\overline{\text{EN}}$	Generates data latch strobe. The data latch state is by this low-level signal.
$\overline{\text{CS1X}}$	Chip select for A04U140.
A1-A0	Address for data latch. (A1 = MSB, A0 = LSB)
EDBO-EDB5	Data for internal selector. (D5= MSB, D0= LSB)
10NCLK	10 ns period clock for internal divider.
SYSCLK	System clock to be compareo with gate clock in slow-clock detector circuit.
RDSTS	Read status for slow-clock detector circuit operation, trigger, and timer output reset.

Table 4-4.
318 LSI-B (A04U140) OUTPUT SIGNALS

Signal Names	Description
INTCLK	Selected internal clock (20 ns - 500 ms).
10USCLK	10 us period clock for the test output on the A01 Input-A board.
CLKSLW	Compared result of slow-clock detector circuit. This signal condition is: 0 --- One period of SYSCLK is shorter than a half interval of gate clock. 1 --- One period of SYSCLK is longer than a half interval of gate clock.
TIMER	Constant interval timer with reset by RDSTS.

Table 4-5.
INTERNAL CLOCK (INTCLK)

Input of A04U140 (EN, CS1X low)						Selected internal clock at of A04U140 pin 13
D5	D4	D3	D2	D1	D0	
1	X	0	1	0	1	20ns
1	X	1	0	1	0	50ns
0	1	1	1	0	0	100ns
0	1	1	1	0	1	200ns
0	1	1	1	1	0	500ns
0	1	1	0	0	0	1μs
0	1	1	0	0	1	2μs
0	1	1	0	1	0	5μs
0	1	0	1	0	0	10μs
0	1	0	1	0	1	20μs
0	1	0	1	1	0	50μs
0	1	0	0	0	0	100μs
0	1	0	0	0	1	200μs
0	1	0	0	1	0	500μs
0	0	1	1	0	0	1ms
0	0	1	1	0	1	2ms
0	0	1	1	1	0	5ms
0	0	1	0	0	0	100ms
0	0	1	0	0	1	20ms
0	0	1	0	1	0	50ms
0	0	0	1	0	0	100ms
0	0	0	1	0	1	200ms
0	0	0	1	1	0	500ms
0	X	X	X	1	1	* by CPU

0 - Low, 1 - High, X - Don't care
A1, A0 of U140 set to be 00_{hex}.

*Disable internal clock generated by the 100 MHz oscillator

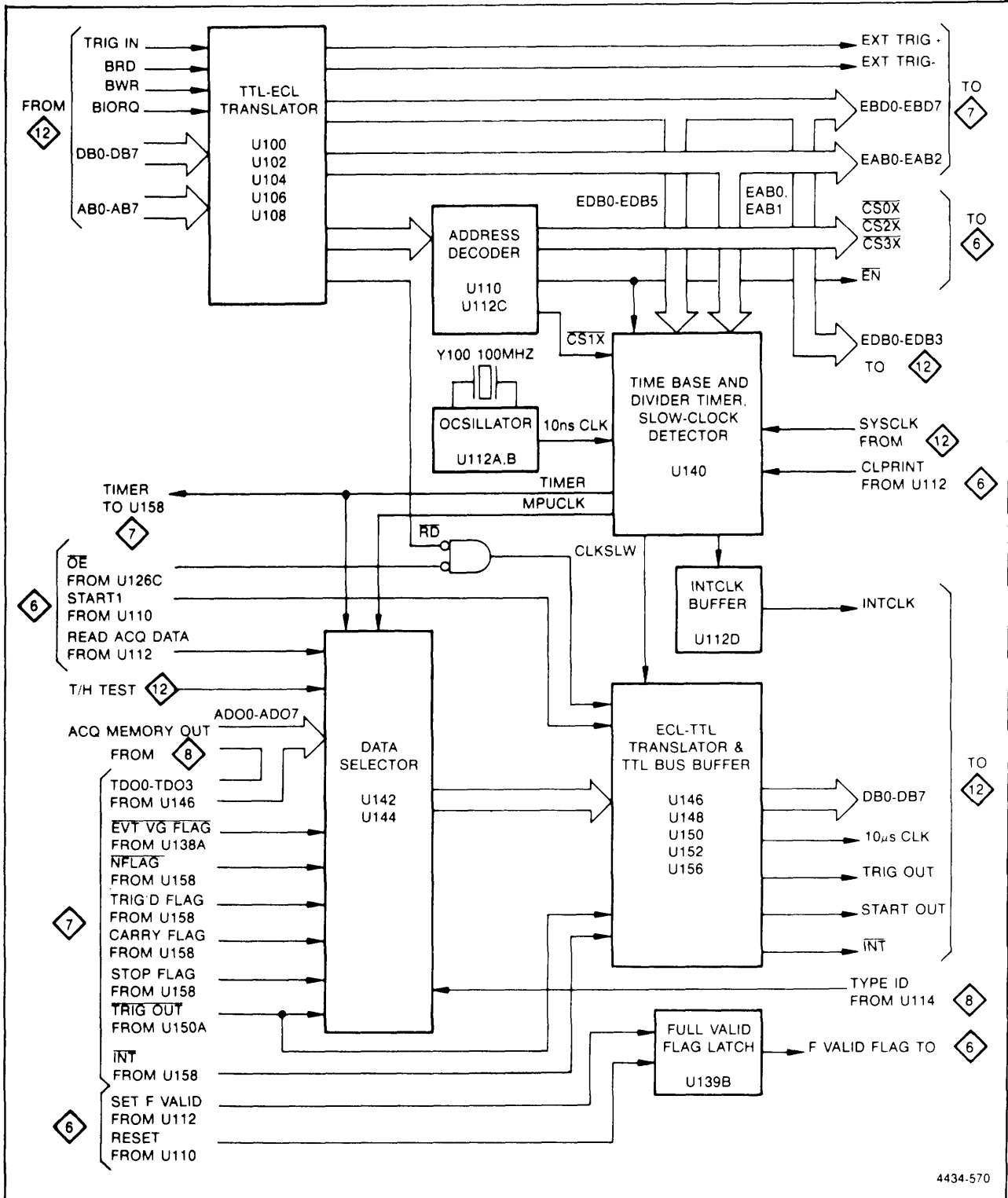


Figure 4-7. 318 Simplified diagram of the timebase and MPU bus interface circuit.

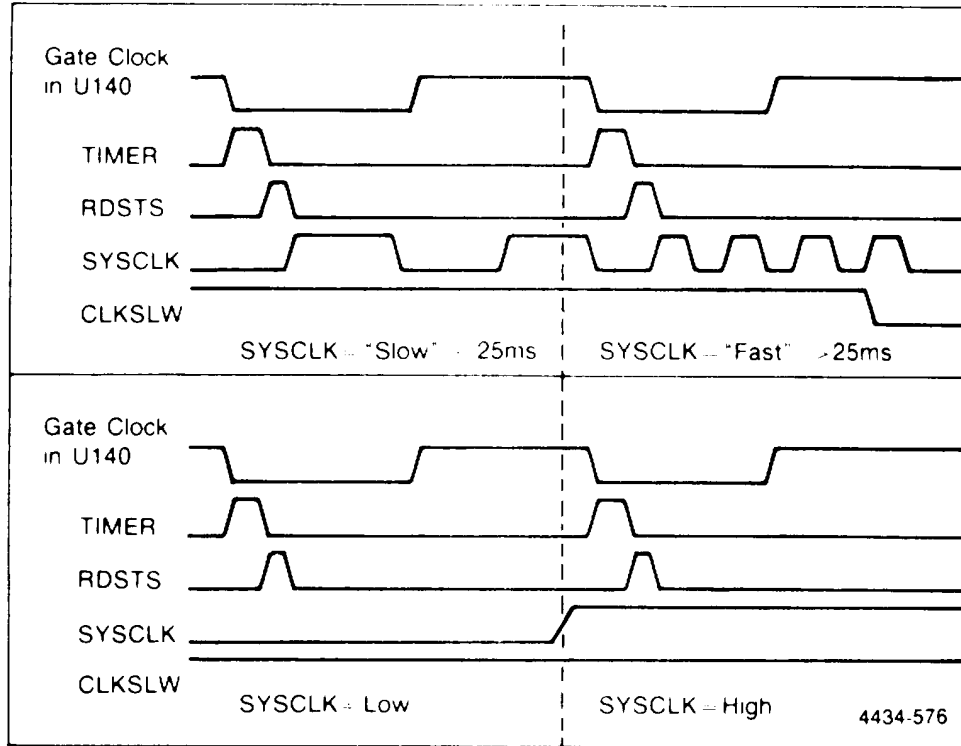


Figure 4-8. 318 Timing diagram of the slow-clock detector and timer circuit.

318/338 A05 ROM/THRESHOLD BOARD <5>

A simplified diagram of the ROM and the Threshold circuits is shown in Figure 4-9.

ROM CIRCUITRY

The 318/338 has 104 K-bytes of ROM and 8 K-bytes of RAM.

The address decoder consists of A05U1001, A05U005, and A05U150D. It provides the chip-select signal that determines which specific device communicates with the MPU. This selection is determined by the output of the dual 2-line-to-4-line decoders, A05U1001 and A05U005. Gate A05U150D supplies the \overline{MEMRQ} (MEmory ReQuest) signal for each fetch cycle. The memory map is shown in Table 4-6. The I/O map is shown in Table 4-7. A05U90 and A05U92 are used to decode the I/O instructions on the A05 ROM/Threshold board.

Table 4-6.
MEMORY MAP

Page	Address Range	Capacity and Use
ALL	0000-3FFF	ROM 1, 16K X 8; Utility 1
ALL	4000-7FFF	ROM 2, 16K X 8; Utility 2
0	8000-BFFF	ROM 3, 16K X 8; Setup
1	8000-BFFF	ROM 4, 16K X 8; Timing
2	8000-BFFF	ROM 5, 16K X 8; Data
3	8000-BFFF	ROM 6, 16K X 8; Serial/RS-232

Table 4-6. (cont.)
MEMORY MAP

Page	Address Range	Capacity and Use
ALL Table	C000-DFFF	ROM 7, 8K X 8; Jump
ALL	E000-E7FF	NVM RAM, 2K X 8
ALL	E800-EFFF	Display RAM, 2K X 8
ALL	F000-F7FF	RAM 1, 2K X 8
ALL	F800-FFFF	RAM 2, 2K X 8

Table 4-7.
I/O MAP

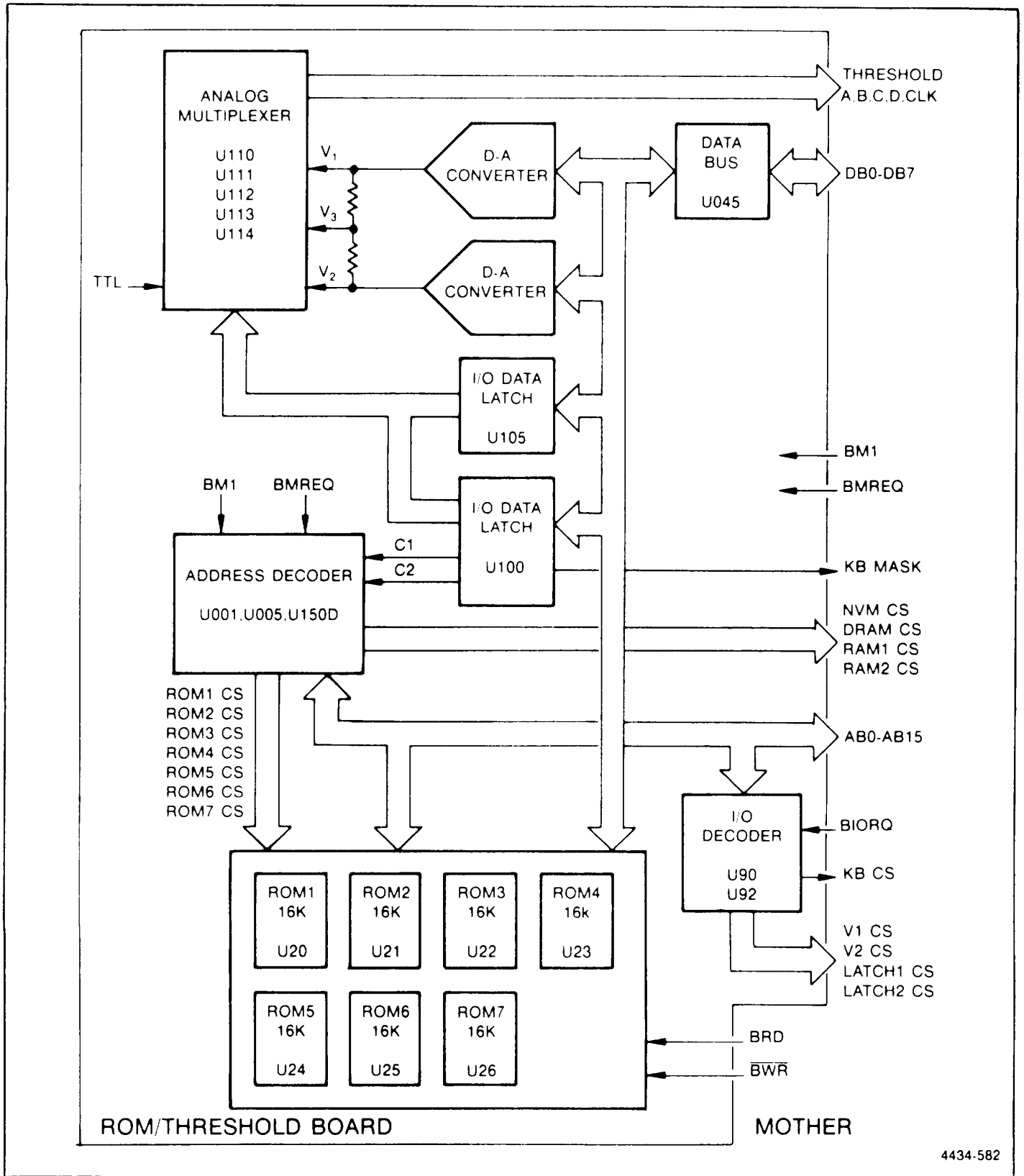
Address Range	I/O Use	Board #
00-1F	INPUT A&B board	A01 & A02
20-3F	INPUT A&B board	A01 & A02
40-5F	ACQ A&B board	A03 & A04
60-7F	ACQ	A&B board A03 & A04
80-9F	Option board	A07
A0-BF	No use	
C0-DF	No use	
E0-FF	Mainframe	A05, A06, A09, A10

THRESHOLD CIRCUIT

The threshold circuit consists of a dual digital-to-analog (D/A) converter, analog switches, and an I/O decoder.

D/A Converter. The D/A converter consists of A05U70, A05U75, A05U80, A05U85, and A05U130B. A05U70 and A05U80 are D/A converter ICs. A05U75 and A05U85 are dual-OP amplifiers, which convert double ended to single ended output. A05U130B supplies a reference standard voltage source (3.2 V).

Analog Switches. The analog switch consists of A05U100, A05U105, A05U110, A05U111, A05U112, A05U113, A05U114, A05U120, A05U125, and A05U130A. A05U100 and A05U105 are I/O data latch circuits that perform three different functions. They hold data that selects the type of threshold (TTL, V1, V2, or V3). They hold data that selects the page of the ROM; and they hold data that selects the CROM or the KBMASK. A05U110 to A05U114 are analog-switch ICs that select the threshold voltage determined by the latched data from A05U100 and A05U105. A05U120, A05U125, and A05U130A convert high-output impedance to low.



4434-582

Figure 4-9. 318/338 Simplified diagram of the ROM and threshold circuits.

318/338 A06 MPU/DISPLAY BOARD <11>

A simplified diagram of the keyboard, the MPU circuits, and the display circuits is shown in Figure 4-10. The main elements of these circuits are the MPU, the Display Controller, the Interrupt Gate stages, the RAMs, and the front panel keyboard controls.

MPU

The Z-80A microprocessor unit (A06U200) is the heart of the 318/338. All other stages of the circuitry either provide data to the MPU and receive instructions from it, or they accept data from the MPU and issue instructions to it.

Due to the complexity of the MPU's operation, a complete description of A06U200 is not provided. If detailed information is needed, refer to the Z80-CPU, Z80A-CPU Technical Manual published by Zilog.

RAM

Temporary storage of data and addresses for the MPU, and storage of data acquired from the probe input, is provided by RAMs A06U400 and A06U401.

BUS DRIVERS

The bus drivers consist of A06U210, A06U212, A06U214, and A06U216, A06U210 and A06U212 are address bus drivers, A06U216 is a data bus transceiver, and A06U214 is an MPU control driver (inverted). These drivers send or receive the MPU signals to or from other boards.

KEYBOARD AND KEYBOARD CONTROLLER

Control inputs from front-panel keys (except for the STOP key) are encoded by A06U300 and A06U310. When a key is pressed, X-axis lines (KBX0-KBX7) and Y-axis lines (KBY0-KBY7) supply a data matrix of the key pressed to A06U300 and A06U310.

A06U301 encodes eight X-axis lines to three binary lines; A06U300 encodes eight Y-axis lines to three binary lines. These signals and the Key Push Acknowledge (KPA) signal are sent to the MPU data bus via tri-state bus buffer A06U320. A06U320 is controlled by KB CS (MPU I/O address = EO read) from the A05 ROM/Threshold board<10>.

The KPA signal generates the key interrupt signal using A06R320, A06C320, and A06U220. A06R320 and C320 form an integration circuit, which deletes KPA chattering. KPA without chattering is supplied to A06U220C pin 9.

A06U220 is a Quad 2-Input NAND Schmitt Trigger that controls the keyboard interrupt mask or unmask by KBMASK (MPU I/O address = F2 bit 3 write) from the A05 board.

INTERRUPT GATES

The interrupt gates consist of A06U220 (Quad NAND Schmitt Trigger).

DISPLAY CONTROLLER

The display controller consists of A06U130, A06U134, A06U138, A06U500, A06U510, A06U515, A06U520, A06U525, A06U530, A06U540, A06U542, and A06Q550.

A06U 130 is the TV timing generator for the display control of the 318 and the 338. It generates C-SYNC (Composite SYNC), HD (Horizontal Drive), VD (Vertical Drive), and CBL (Composite Blanking) from the output signal of A06U120B (244.4 ns clock).

A06U134 gates A, B, and C generate the blinking clock signal (about 30 Hz) for A06U500. A06U500 is a display control IC; it consists of a display counter, address bus multiplexer, Z-axis generator, and Z-axis controller. The display counter determines the location of the FONT in the screen, and either blanks or unblanks the display.

The address bus multiplexer selects the output of either the display counter or the MPU address for the display RAM (U515).

The Z-axis generator generates the Z-axis signal from the output of the character ROM (A06U530). The Z-axis controller controls the Z-axis signal (inverse, blank underscore, or blinking) and generates the trace edge for timing displays.

The data bus transceiver stage of the display controller consists of A06U510 and A06U525. This stage controls the data communication between the MPU and the display RAM, and allows the MPU to either write data into or read data from the display RAM while the display RAM address is accessed by the MPU.

Character latch A06U520 latches the 8-bit data read-out from the display RAM. The latched data is maintained for seven display clock cycles to achieve seven dots of display per character. Data input to the character latch stage is provided and latched on the positive-going edge of the character latch clock.

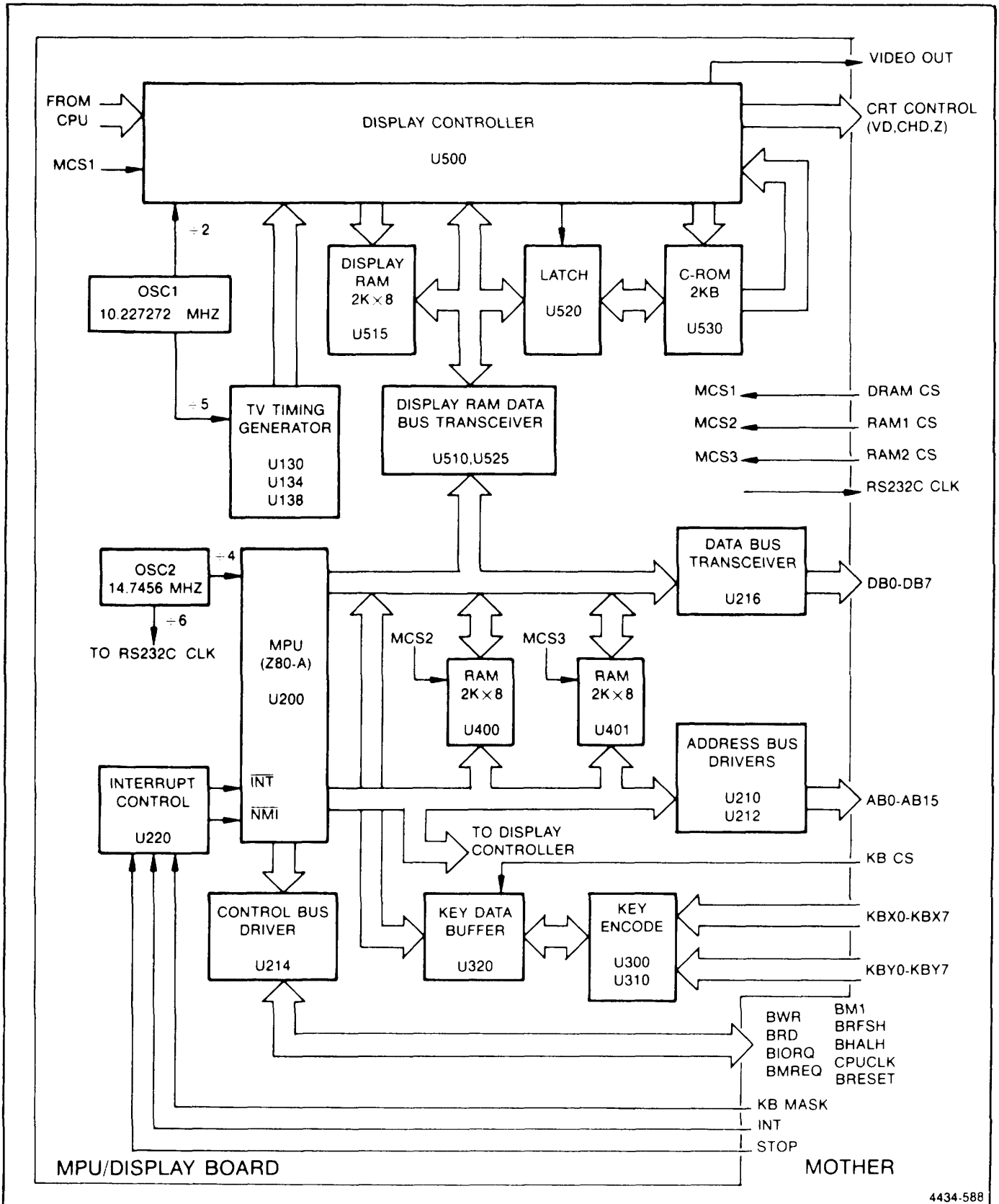
Character ROM A06U530 provides the character fonts which allow a variety of displays. Each character font in this ROM is composed of a 7 X 8-dot matrix and is selected by the 8-bit signal from the character latch stage and a 1-bit signal (CROM) from the A05 board. The CROM bit selects either a parallel-mode character or a serial-mode character.

Each of the eight lines of a character font are selected by the line select signal from the display counter. The seven dots on each line of a character font are read out from the ROM when that character is addressed. The 7-bit parallel output data is loaded into shift register A06U500 (Z-axis generator) by the clock and is shifted out in serial format to be used as a Z-axis signal.

A06U505, A06U540, and A06Q550 comprise the video generator and CRT driver. The video generator is a 2-bit (4-level) Digital-to-Analog (DIA) converter.

The output level of the DIA converter is shown as follows:

C-SYNC	INV Z	Glitch	Video Out Volts
H	X	X	-0.3
L	L	L	0.7
L	L	H	0.4
L	H	X	0



4434-588

Figure 4-10. 318/338 Simplified diagram of the MPU/Display board.

318/338 A07 SERIAL, NON-VOLATILE MEMORY, RS232C <17> <18>

SERIAL INPUT <17>

The serial input circuit consists of an input comparator, an offset adjustor, and a clock level translator. It provides serial data and external clock signals for serial operation. A simplified diagram of the serial input circuit is shown in Figure 4-11.

Input Comparator. The input comparator consists of an FET input pre-amp (A07U100) and a comparator (A07U110). Serial data applied to pin #3 of A07U100 is amplified two-and-one-half times and output on pin 6. Pin 6 is connected to pin 2 of A07U110. The threshold voltage is applied to pin 3 of A07U110. Comparator A07U110 compares the serial data input at pin 2 with the threshold voltage input at pin 3. If the serial data input voltage is higher than the threshold voltage, A07U110 issues a high TTL output at its pin 7.

Offset Adjust. The serial data offset is adjusted by one potentiometer, A07R23. Input serial data is monitored at TP10, and threshold voltage is monitored at TP11. The data 0 volt level can be adjusted to equal the threshold 0 volt level by tweaking A07R23.

Clock-Level Translator. The clock level translator is comparator A07U111. The ECL-level external clock signal from the A02 Input B board connects to pin 2 of A07U111, and the input at pin 3 of A07U111 is set at -1.25 V. Comparator A07U111 compares the external clock signal at pin 2 with the -1.25 V at pin 3. If the external clock voltage is higher than -1.25 V, A07U111 will issue a TTL output at pin 7.

NON-VOLATILE MEMORY <17>

The non-volatile memory circuit provides battery backup operation for the non-volatile memory. It consists of the threshold voltage detector, the chip select controller, the battery switch, the battery voltage checker, and a random access memory.

Threshold Voltage Detector. The threshold voltage detector consists of comparator A07U120 and a 3-volt Zener diode, A07VR100.

Comparator A07U120 compares $V_{cc} - 3$ volts (2 volts at this point) at pin 3 with the threshold voltage at pin 2. If V_{cc} is more than 4.6 volts A07U120 will output a low at pin 7. When V_{cc} is less than 4.6 volts, pin 3 is lower than the threshold voltage, and A07U120 will output a high at pin 7. When the output signal at pin 7 of comparator A07U120 is high, it indicates that V_{cc} is low. If the output of A07U120 is not correct, adjust A07R101 using the adjustment procedure in Section 5.

Chip Select Controller. The chip select controller consists of A07U21C, A07Q120, and A07Q150. The V_{cc} LOW signal is connected to the base of A07Q120. When system power starts to fail, the V_{cc} LOW signal changes to high and A07Q120 turns OFF. Then, the input at pin 10 of A07U21 quickly changes to low. When the system power comes back up, the V_{cc} LOW signal falls to low and A07Q120 turns ON. Then the input at pin 10 of A07U21 becomes high, and pin 11 of A07U21 slowly rises to high.

The output at pin 8 of A07U21 is connected to the base of A07Q150. When V_{cc} is LOW, A07Q150 is OFF and pin 18 of A07U7 (chip select) stays high. When V_{cc} voltage is normal (not LOW) A07Q150 is controlled by the NVMCS (non-volatile chip select) signal.

SERIAL DATA ACQUISITION <18>

The serial data acquisition circuit consists of the data bus buffer, I/O selector, baud rate selector, external trigger latch, and serial I/O controller. It provides the serial data acquisition function. A simplified iagram is shown in Figure 4-11.

Data Bus Buffer. Bidirectional bus transceiver A07U25, with tri-state outputs, serves as the data bus buffer, allowing data transmission either from the A-side bus to the B-side bus or from the B-side bus to the A-side bus of the buffer. The logic level on the BRD line controls the direction of data transmission, and the I/O ENABLE line either enables or isolates the entire transceiver.

The I/O ENABLE line is enabled when I/O addresses 80 through 9F_{hex}, or the NVMCS (Non-volatile Memory Chip Select), are asserted. These two conditions are selected by A07U21A and A07U13.

Control of the data transmission direction and bus isolation is accomplished as depicted in Table 4-8.

Table 4-8.
DATA BUS BUFFER CONTROL

I/O Enable	RD	Data Transmission
Low	Low	B side to A side
Low	High	A side to B side
High	X (don't care)	Isolated

I/O Selector. The I/O selector A07U30 allows the MPU to address five I/O devices. A07U30 is enabled when the bus BM1 signal is false (low), the BWR or BRD signal is true (low), and I/O addresses 80 through 93_{hex} are selected.

The output of A07U30 is controlled by bus lines A4, A3, and A2, supplied to pins 3, 2, and 1, respectively.

The functions and addresses of selected I/O operations are shown in Table 4-9.

Baud-Rate Selector. The baud-rate selector circuit consists of a programmable bit rate generator (A07U6), and bus data latches A07U31 and A07U22A. The programmable bit-rate generator A07U6 supplies the receiver clock signal to the SIO's PORT-A. The output clock rate of its pin 10 is determined by the logic input at its pins 11, 12, 13, and 14 (S3 through S0, respectively).

The output positive-going edge at pin 12 of I/O selector A07U30 allows A07U31 and A07U22A to latch data. That latched data (D7, D6, D5, and D4) output is applied to inputs S3-S0 of A07U6.

Latched data from D4 has another function. It selects the clock used as input at pin 15 of A07U6 (either 19.2K baud or the external clock). The chip select function operates when S1, S2, and S3 are low. The clock select signal at A07U6 pin 15 is called IM. Inverter A07U20A inverts and shapes the baud-rate clock. Table 4-10 shows the 16 input combinations and the corresponding output rates.

External Trigger Latch and Data Polarity. Latched data D3 of A07U31 is applied to pin 10 of A07U1 2C. This signal is used to select the external trigger polarity. If the polarity is positive, the external trigger's positive-going edge sets A07U22B. If polarity is negative, the external trigger's negative-going edge sets A07U22B. A negative-going edge from pin 14 of the I/O selector A07U30 resets A07U22B.

The MPU can read the status of A07U22B at pin 3 (DO) of tri-state output buffer A07U32. The out- put signal at pin 15 of I/O selector A07U30 controls the enable line of A07U32.

Latched data D2 from A07U31 is applied to pin 1 of A07U12A. This signal is used to select input data polarity.

Serial I/O Controller. The serial Input/Output controller (SIO, device A07U2) handles serial-to-parallel interfacing.

When receiving data, the SIO checks for stop bits, parity, sync characters, framing errors, and overrun errors. When transmitting data, the SIO handles such tasks as sync character insertion, adding parity bits, and adding stop bits.

The Z-80A CPU supplies the CPU clock signal to SIO pin 20 as the control clock (3.68 MHz). A07U12B and U32B adjust the clock waveform before it reaches the SIO.

When the SIO generates an interrupt, it generates a low signal at pin 5 that ties to the bus INT line.

The SIO contains two serial data transceivers: PORT-A receives data on pin #12 and a clock on pin 13, PORT-B receives data on pin 28 and a clock on pin 27. PORT-A is used for serial data acquisition and PORT-B is used for RS-232 control.

The SIO contains two signal sets for modem control, but only one set is used for RS-232 modem control. The RS-232 modem control input signals (pins 22 and 23) and input data spin 28) are tied to the RS-232 receiver, A07U40. The RS-232 modem control output signals (pins 24 and 25), and out-put data (pin 26) are tied to the RS-232 transmitter, A07U41.

In this system, the SIO is mapped by I/O address. Assigned SIO addresses are 90 and 91 for PORT-A, and 92 and 93 for PORT-B. The output at pin 11 of I/O selector A07U30 is tied to pin 35 of the SOG. Bus AB1 is tied to SIO pin 34, and bus ABO is tied to pin 33. These three inputs control SIO addressing.

Table 4-9.
OPTION I/O DEVICE ADDRESSING AND FUNCTION

AB4	AB3	AB2	Address	Function
L	L	L	80 - 83	Read status (external trigger, battery voltage, modem DSR).
L	L	H	84 - 87	Reset external trigger latch.
L	H	L	88 - 8B	Set RS-232 bit rate generator.
L	H	H	8C - 8F	Set SERIAL bit rate generator, data polarity, external trigger polarity.
H	L	L	90 - 93	Select SIO.
H	L	H	94 - 97	Not used.
H	H	L	98 - 9B	Not used.
H	H	H	9C - 9F	Not used.

RS-232 CONTROL <18>

The RS-232 control circuit consists of the baud-rate selector, level converter, and serial I/O controller. This circuit provides the remote control operation. A simplified diagram of this stage is shown in Figure 4-11.

Baud-Rate Selector. The baud-rate selector circuit consists of a programmable bit-rate generator (A07U5), and a data latch (A07U45).

Programmable bit-rate generator A07U5 supplies the receive and transmit clock signals to SIO PORT-B. This clock rate is determined by the logic inputs on A07U5 pins 11, 12, 13, and 14 (S3 through S0, respectively).

The output positive-going edge at pin #13 of I/O selector A07U30 latches data at A07U45. This latched data (D7, D6, D5, and D4) is supplied to the S3 through S0 inputs of A07U5.

The input clock rate for A07U5 is the same as for A07U6; 19.2K baud and external clock for RS-232 are not used. (Refer to Table 4-10.)

Level Converter. The level converter stage consists of the RS-232 transmitter A07U41 and the RS-232 receiver A07U40. Transmitter A07U41 converts TTL-level signals to RS-232 level, and receiver A07U40 converts RS-232 level signals to TTL level.

RS-232 transmit signals (TXD, RTS, DTR) are controlled by SIO PORT-B. Receive signals (RXD, CTS, DSR, CD) are controlled by the external device.

The DRS signal status appears at pin 11 of A07U32.

Serial I/O Controller. Refer to the Serial Acquisition section.

Table 4-10.
PROGRAMMABLE BIT-RATE GENERATOR OUTPUTS

S3	S2	S1	S0	Output Rate
L	L	L	L	EXTERNAL CLOCK
L	L	L	H	19.2K baud
L	L	H	L	50 baud
L	L	H	H	75 baud
L	H	L	L	134.5 baud
L	H	L	H	200 baud
L	H	H	L	600 baud
L	H	H	H	2400 baud
H	L	L	L	9600 baud
H	L	L	H	4800 baud
H	L	H	L	1800 baud
H	L	H	H	1200 baud
H	H	L	L	2400 baud
H	H	L	H	300 baud
H	H	H	L	150 baud
H	H	H	H	110 baud

Input SERIAL-CLOCK is 2.4576 MHZ.

318/338 A10 CRT BOARD <14>

The CRT circuit provides the horizontal and vertical deflection currents and electrode voltages for the CRT. A simplified diagram is shown in Figure 4-12.

Z-AXIS AMPLIFIER

The Z-Axis amplifier stage (A10Q100, A10Q110, A10Q120, A10R245, and A10R247) controls the beam current of CRT V200 to create the display on the screen. The Z-axis signal at the base of A10Q100 is compared with the DC voltage (+1.4V) at the base of A10Q110, and the inverted output from the collector of A10Q100 is supplied to the cathode of V200. The GLITCH signal at the base of A07Q120 switches the current of the differential amplifier (A07Q100 and A07Q110). If the GLITCH signal is high, A07Q120 is turned on. When A07Q120 is on, A07R110 and A07R124 are connected in parallel and the emitter current of A07Q100 increases. A less-positive voltage at the cathode brightens the display, while a more-positive voltage blanks it. The voltage at G1 of V200, supplied from potentiometers A07R245 and A07R247, controls the brightness of the display.

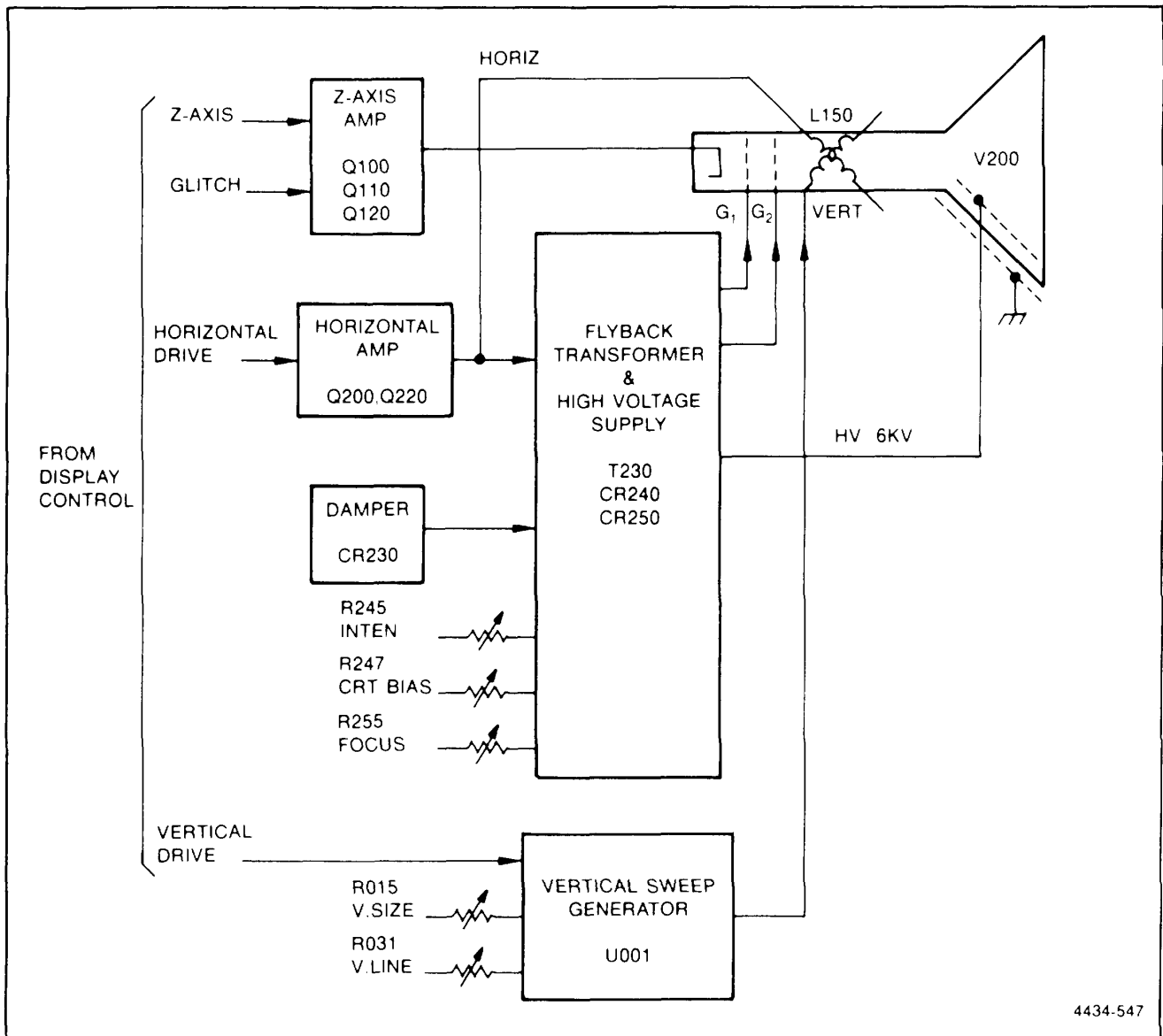


Figure 4-12. 318/338 Simplified diagram of the CRT circuit.

HORIZONTAL SWEEP GENERATOR

The horizontal sweep generator stage consists of the horizontal amplifier, damper, flyback transformer, and high-voltage supply. Horizontal sweep current is generated by the combined operation of the horizontal amplifier, damper, and flyback transformer.

To clarify this circuit's operation, a simplified diagram and associated waveforms are shown in Figure 4-13. The CHD (CRT Horizontal Drive) pulse is applied to the base of A10Q200, and the inverted CHD output is AC-coupled to the base of A10Q220.

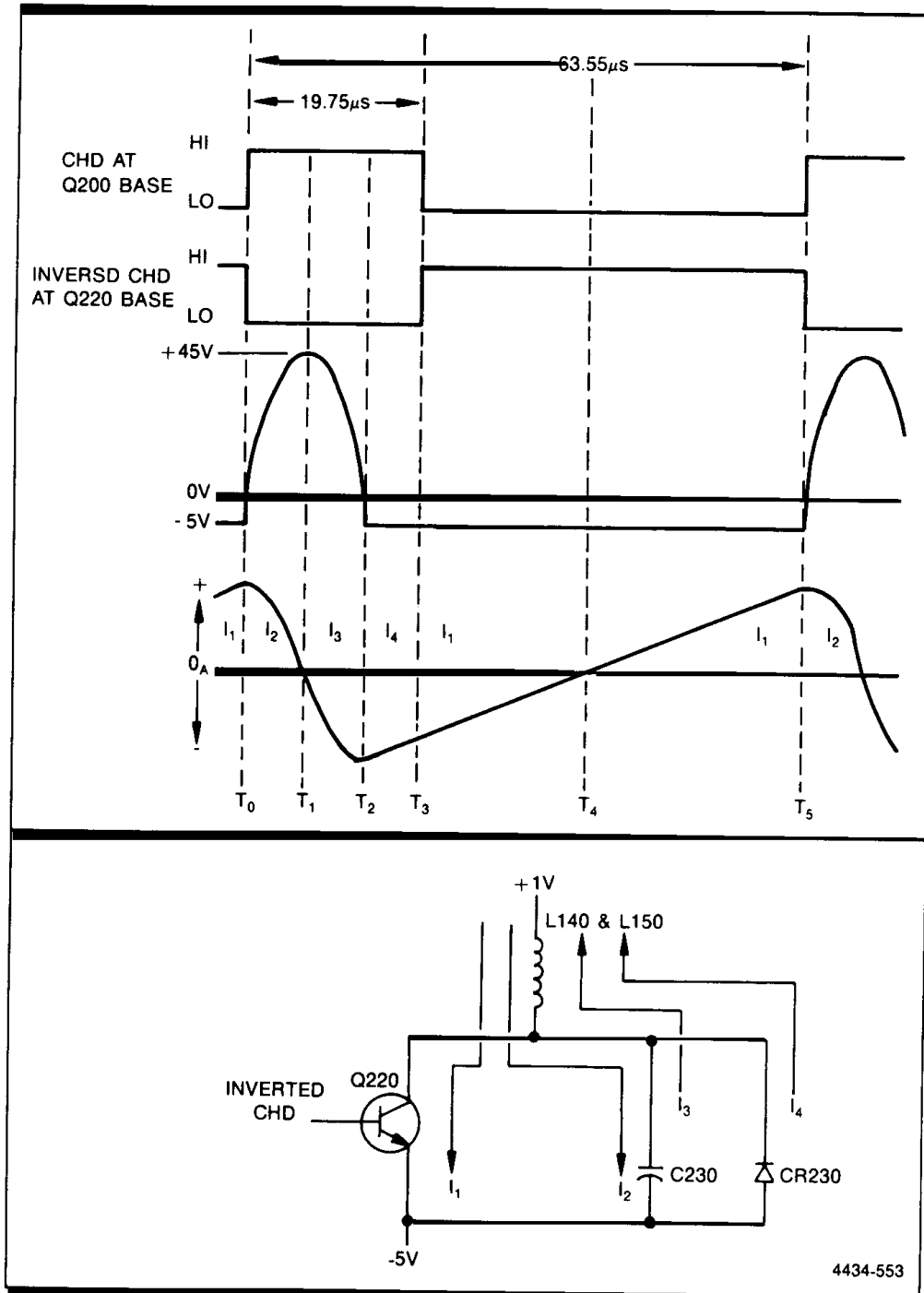


Figure 4-13. 318/338 Simplified diagram and waveform of the horizontal sweep generator.

Assume that A10Q220 is conducting just before TO and that the current I1 is passing through A10Q220. A10Q220 is turned off at TO by the inverted CHD pulse. The energy stored in L140 and L150 is discharged through A10C230, causing current I2. Current I2 charges up A10C230 to about + 45 volts at T1. The stored energy in A10C230 is discharged during the time interval T1 to T2. Discharging current I3 charges L140 and L150, causing the A10Q220 collector voltage to go negative. When the A10Q220 collector voltage goes negative to more than -5 volts at T2, diode A10CR230 conducts. The stored energy in L140 and L150 is then discharged through A10CR230, and, at the beginning of T3, through A10Q220. The discharging current decreases to zero at T4. Therefore, L140 and L150 stop discharging and are charged again in the opposite direction by charging current I1.

Current I1 increases until A10Q220 is turned off again. The A10Q220 collector waveform is shown in Figure 4-13 as the ideal waveform; the actual waveform may contain more noise. The collector voltage at A10Q220 is applied to the primary winding of T230. This transformer provides voltages for G1, G2, and the anode input of the CRT. It also provides voltage for the Z-axis amplifier. A high-voltage multiplier is included in the flyback transformer box.

VERTICAL SWEEP GENERATOR

The vertical sweep generator stage consists of IC A10U001 which produces the sawtooth current for vertical deflection in yoke L150. The VD (Vertical Drive) signal's 0.572 ms pulse triggers this circuit every 16.6 ms.

IC A10U001 consists of a triggerable astable multivibrator, sawtooth generator, and output amplifier.

The astable multivibrator's time-constant is determined by A10R002, A10R005, and A10C005, and locked by the VD pulse at 16.6 ms. The output signal of the multivibrator generates a sawtooth signal when A10R010, A10R015, A10C010, and A10C015 charge and discharge. The sawtooth signal is AC-coupled to pin 7 on A10U001. Amplifier A10U001 drives the vertical deflection yoke L1 50.

318/338 AII POWER SUPPLY <15> <16>

The power supply circuit provides the operating power for this instrument from the ac line-voltage source.

Figure 4-14 is a simplified block diagram of the power supply circuit.

LINE INPUT <15>

Power is applied through the line filter FL1, line fuse F1, power switch A12S1, and thermal cutout switch S3. The line filter is designed to keep power-line interference from entering the instrument and to keep the approximately 50-kHz inverter signal from entering the power line.

Line voltage selector switch S2 allows the instrument to operate from either a 115 or 230 volt nominal line voltage source. In the 115V position, rectifier A11CR1 01 operates as a full-wave voltage doubler with energy-storage capacitors A11C121 and A11C122. The voltage across the two capacitors in series is the approximate peak-to-peak value of the 115 volt line. For 230 volt operation, A11CR101 is connected as a bridge, supplying approximately the peak value of the 230 volt line. Thus, the dc voltage applied to the inverter stage is about the same for either 115 or 230 volt operation.

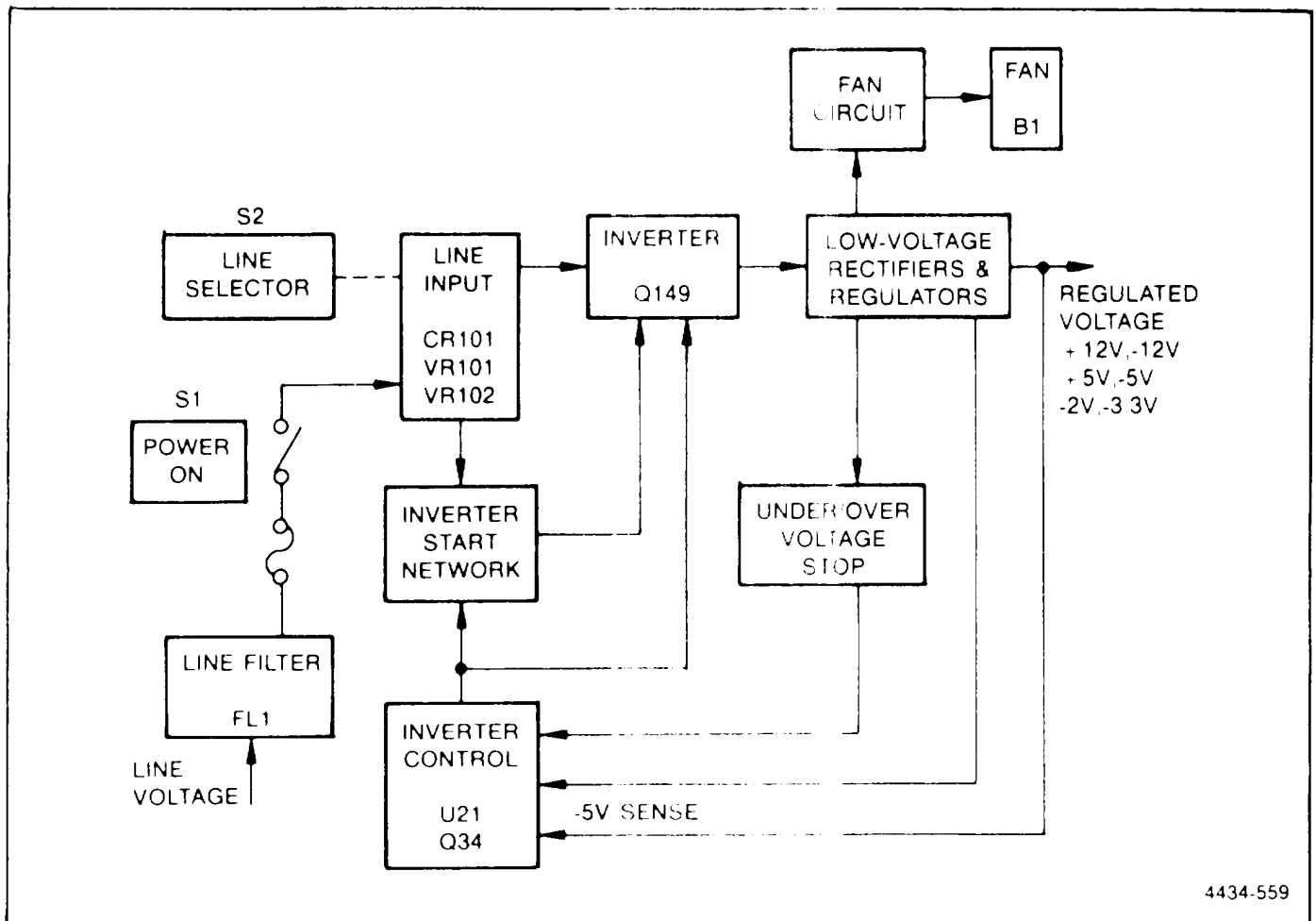


Figure 4-14. 318/338 Simplified diagram of the power supply circuit.

Thermistors A11RT101 and A11RT102 limit the surge current when the power supply is first turned on. After the instrument is in operation, the resistance of the thermistors decreases so that they have little effect on the circuit. When the instrument is turned off, the Inverter Control stage turns off the inverter, preventing it from discharging A11C121 and A11C122; A11C121 and A11C122 discharge slowly, through A11R121 and A11R122, to allow for thermistor thermal recovery. This ensures sufficient thermistor resistance to limit the turn-on surge current to a safe level. Since A11C121 and A11C122 discharge slowly, dangerous voltages exist within the power supply for several minutes after the POWER switch is turned off.

Varistors A11VR101 and A11VR102 are surge voltage protectors. If a peak voltage greater than 240 volts is present on the line, A11VR101 and A11VR102 will conduct and quickly open line fuse F1 to interrupt the input power before the instrument can be damaged.

INVERTER START NETWORK <15>

Capacitor A11C132 is charged by a constant current source, made up of A11Q131, A11VR131, and A11R132. When the charge of A11C132 reaches the voltage level set by A11VR135, A11CR138, and the base-emitter voltage of A1Q135, transistors A11Q135, A11Q134, A11Q140, A11Q139, and switching transistor A11Q149 are turned on, A11C132 is discharged, and energy-storage capacitor A11C155 for A12U21 <16> and A12U1 <16> is charged. When the charge on A1C155 reaches the voltage level required to start A12U21, A12U21 charges A1C143 through A11T140. This causes transistor A11Q141 to turn on and A11Q131 to turn off. This disables the inverter start network after the instrument is on.

INVERTER CONTROL <16>

The inverter control stage, made up primarily of A12U21, provides voltage regulation, a dead-time controller, and a current limiter. For regulation purposes, A12U21 varies the hold-off time of the Inverter Switching transistor. Under normal operating conditions, only pin 2 of A12U21 controls the hold-off time. However, either the dead-time controller or the current limiter can affect the hold-off time, or stop the inverter operation altogether. The operation of each individual function of the inverter control stage is described in the following paragraphs.

Regulator. A12U21 acts as a pulse width modulator to regulate the inverter circuitry. It runs the inverter at a constant frequency and regulates by changing the duty factor of the inverter signal. This is accomplished as follows:

At the beginning of the inverter cycle, A12U21 pins 9 and 10 go high, turning on A12Q34. This provides base drive for A11Q149 through A11T140. When A12U21 senses that the -5 V supply has gone below -5 V (via divider network A12R17, A12R18, and A12R23 to A12U21 pin 2) pins 9 and 10 go low, turning off A12Q32 and thus removing the base drive to A11Q149 and stopping the inverter. A11Q149 stays off until the beginning of the next inverter cycle.

The rest of the power supplies have their own regulation circuitry, which are indirectly controlled by the inverter circuitry. The -5 V supply is directly regulated by the inverter regulator; the -5 V supply then regulates the "unregulated" supplies for the rest of the voltages.

Dead Time Controller. The dead-time controller function of A12U21 protects the power-supply components from damage due to excessive current or voltage. During normal operation, the voltage at pin 4 of A12U21 remains at about 1.5 volts. If the Under/Over Voltage Stop stage turns on, A12U21 pin 4 voltage rises to about 5 volts, and the inverter stops. The inverter will remain off while A12C53 discharges through A12Q58, keeping A12VR58 and A12Q59 turned off. This cycle repeats until the fault is corrected, with the inverter turned on for about 200 ms, and turned off for about 200 ms.

OVER/UNDER VOLTAGE PROTECTION <16>

Whenever the any of the regulated voltages goes out of its specified voltage window the output of A12U51C (for overly positive voltages) or A12U51D (for overly negative voltages) goes low, causing A12U51 B pin 2 to go low. This causes A12U51 A pin 1 to go low, which turns off A12Q57, turns on A12Q32, and turns off A12Q33. This allows A12U21 pin 4 (Dead Time) to go high, and thereby shuts off the inverter. A12Q58, A12Q59, and A12C58 hold the inverting input of A12U51 A (pin 6) high until the supply voltage is back within its voltage window. At this time, A12Q58 turns on, discharging the A12R58, A12C58 combination, which allows pin 6 of A12U51 A to go low, thus pulling A12U21 pin 4 (Dead Time) low, and thereby restarting the inverter.

LOW VOLTAGE RECTIFIERS AND REGULATORS <16>

+12 Volt and -12 Volt Supplies. The rectifiers and the filter components are connected to secondary winding. Regulators A12U91 and A12U92 provide rectified, regulated positive and negative voltage.

-3.3 Volt Supply. A12U71 is a regulator. If the -3.3 volt supply output is too high, the voltage at pin 5 of A12U71 decreases and the current at pin 9 of A12U71 decreases; that is, the base current of A12Q73 decreases, thus the output voltage of the -3.3 volt supply is decreased. Transistor A12Q71, A12R80, and A12R81 together form the current protector. If the -3.3 volt supply is shorted, the voltage on A12R80 and A12R81 (over-current sensing resistors) goes high; A12Q71 is turned on, and A12Q73 is turned off.

+ 5 Volt Supply. The + 5 volt regulator is similar to the -5 volt regulator described in detail above. Transistor A12Q1 is a switching transistor. The inverter controller is A12U1; A12R4 is the over-current sensing resistor and A12R10, A12R11, and A12R9 are the voltage-sensing resistors.

FAN CIRCUIT AND FAN <16>

The fan used in the instrument has a brushless motor. Fan speed is controlled by the emitter voltage of A12Q65, which is determined by the voltage dividing ratio of A12R66, A12R68, A12R67, and A12RT65. When the temperature rises, the voltage drop across thermistor A12RT65 decreases, and this increases the base-emitter voltage of A12Q65. As a result, the fan is accelerated.

DETAILED CIRCUIT DESCRIPTIONS FOR THE 338

The following paragraphs contain theory of operation information for the 338 Logic Analyzer. For information on the theory of operation for the 318 Logic Analyzer, refer to the Table of Contents and preceding sections of this chapter.

338 A01 INPUT A BOARD <19> <20> **A02 INPUT B BOARD <21> <22>**

The Input section consists of the Input A (A01) and the Input B (A02) boards. The block diagram for these boards is shown in Figure 4-15. Since both of these boards share the same function, they are discussed as a unit in this description.

OVERVIEW

Refer to schematics <19>, <20>, <21>, and <22>. Data from Pod A (channels 0-7) flows to the internal buffers of the M218s on the A02 Input B board < 21 >, and their outputs are supplied to the first latches and glitch recognizers (also in the M218s) through delay lines. Only data supplied by Pod A is processed through the glitch detection circuitry. Data from Pods B, C, and D is routed to the data buffers on the A02 Input B board <22>, and their output goes to the first latch through delay lines. The word recognizers work with the latched data from all four pods, and their outputs are wire-ORed on the A02 and A08 boards.

Qualifier data from each probe goes through qualifier buffer A02U250 <22> and then reaches the A03 acquisition control board. The address decoder on the A01 board A01U112 and A01U114 <19> generates signals to set up the word recognizers, select the clock, and enable the glitch trigger circuitry. When selected, an external clock signal enters the FET buffer, A02Q108 <22>, and is compared with the external clock threshold; the resulting signal is distributed through the clock selector to the first latches. When the internal clock is selected by the clock selector, the signal is processed in the same manner as the external clock.

The threshold-level shifter converts threshold-level signals from the A05 ROM/Threshold board to fit the P6451 threshold requirements.

ADDRESS DECODER <20>

The address decoder circuit consists of A01U112 and A01U114. A01U112 decodes I/O addresses 00, 01, 02, and 03. A01U114 is a TTL-to-ECL-level converter. I/O address 00 (A01U114 pin 2) is for writing trigger word data into the word recognizer (WR) for channels 0 through 15. I/O address 01 (A01U114 pin 1) is used to write trigger word data into the

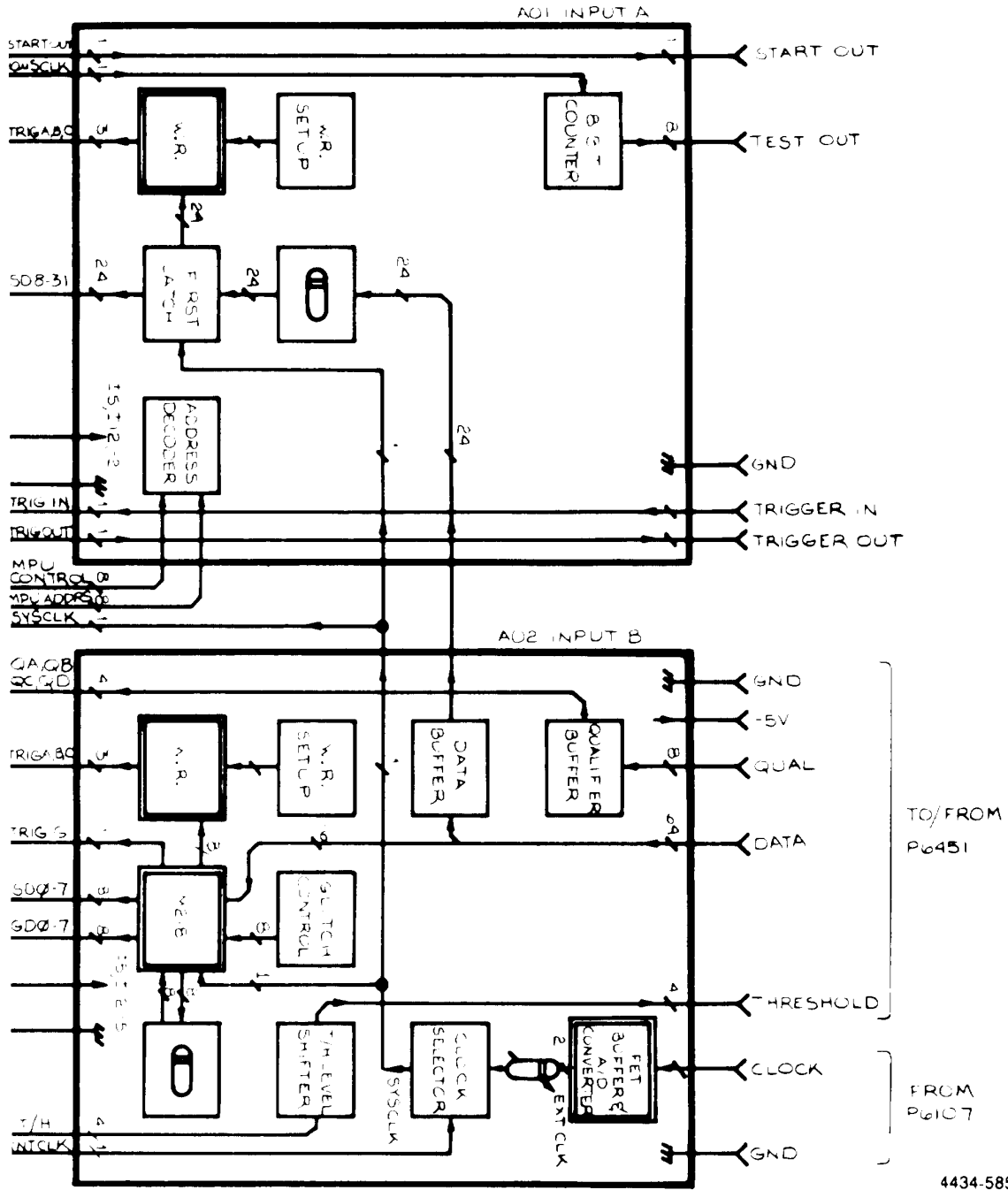


Figure 4-15. 338 Input A and Input B block diagram.

word recognizer for channels 16 through 31. The I/O address 02 (A01U114 pin 12), resets the WR address counter. The I/O address 03 (A01U114 pin 14) is the clock selector port. I/O address 02 also controls the glitch trigger shift register, which enables the glitch trigger circuit.

GLITCH CONTROL (CH 0-7) <21>

This circuit controls only the M218s <21> on the A02 board (data from Pod A). M218's pin 15 controls the glitch output of Pin 14. Pin 14 issues a high-level signal if a glitch is captured. By setting pin 15 to high, the output of pin 14 is disabled (kept low); if pin 15 is low, an output on pin 14 is enabled. Therefore, if a glitch trigger on a certain line is expected, the corresponding M218's pin 15 must be low. Since all M218's pins 14 are wire-ORed, a glitch trigger occurs when any of

M218's glitch trigger outputs moves to high. A02U224 <21> receives the glitch trigger enable data serially and sends it to the M218s in parallel. A02U224 controls the M218's pin 15. This is a shift register and can have data written to it in serial. Data writtern to this shift register from the MPU is adjusted by A02U226 to fit M218's special input level requirements.

WORD RECOGNIZER <21>

The word recognizer (WR) consists of three 32-channel word recognizers incorporating high-speed memories. The 338 offers three WR functions, where three different words may be set up at once. They are named trigger words A, B, and C. To load data into the WRs, the MPU resets the WR address counters A01U100 <19>, A01U102 <19½>, A01U104 <19>, A01U106 <19>, A01U108 <19>, A01U110 <19>, A02U220 <21> and A02U222 <21>. The MPU then writes the data according to the trigger words eight channels at a time. If the WR address counter value is equal to the trigger word, 0 is written into the corresponding WR; otherwise 1 is loaded. The MPU then increments these WR address counters by one and loads data as above. This operation is repeated 256 times. For example, if the trigger word A is 78310827_{hex}, the MPU resets the WR address counters and increments A01U104 and A01U106 to 08, and writes 0 to A01 U118 pin 6. The MPU then increments A01U108 and A01U110 to 27 and writes 0 to A01U120 pin 6. Then it increments A01U100 and A01U102 to 31 and writes 0 to A01U122 pin 6, and increments A02U220 and A02U222 to 78 and writes 0 to U218 pin 6. A1 is written into the other addresses. Before an acquisition starts, these WR address counter outputs are reset to 0, and the MPU changes 10016's on the A01 board to latch mode and sets the output of M218s on the A02 board to on. During an acquisition, if the trigger word is latched, the corresponding WR issues a 0 and that trigger line goes to 0.

THRESHOLD BUFFER <22>

The currents from the edge-connecter 38B, 39A, 39B, and 40A are applied to the inverting inputs of A02242A, A02U242B, A02U242C, and A02U242D <22> which have a gain of minus one. The currents from pin 5 of J200, J202, J204, and J206 are supplied to the non-inverting inputs of these amplifiers to be summed. The output currents of these amplifiers are supplied through A02R234A, A02R234B, A02R234C, and A02R234D, respectively, to the parallel data probe.

PROBE COMPENSTATION <21> <22>

When in the probe compensation mode, an external clock is supplied to the acquisition memory as data through gates A02U252-A <22> and A02U252-B <21>. Channel 0 is used as trigger and channel 1 is used for data. The MPU recognizes over- or under-compensation from the aquired data on channel 1. (Channel 1 is the result of the clock compared with threshold A.) In this mode, A02U234 pin 15 <21> is set to high in order to maintain a high output level at A02U220 <21> and A02U222 <21>.

338 A03 ACQ CONTROL BOARD <5> <6> <7>

The A03 acquisition control board (parallel data) contains two registers and memory that acquisition parameters are loaded into before data acquisition. It also contains other circuitry that controls the trigger sequence and the acquisition memory.

The simplified block diagrams are shown in Figures 4-16 and 4-17. Figure 4-16 shows the I/O address decoders, start logic, clock qualify/SQRAM data register, qualify circuit, and strobe generator circuit.

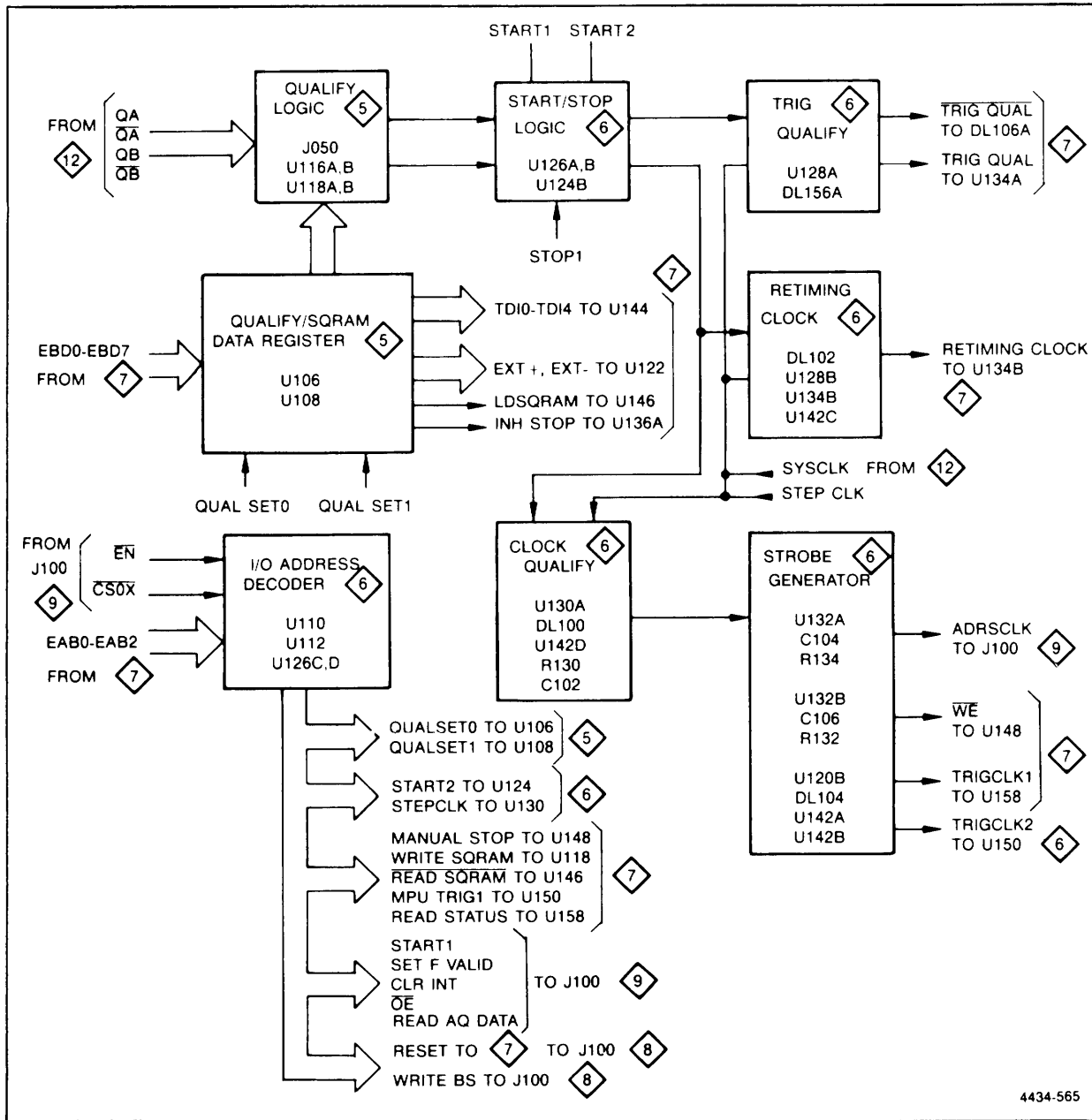


Figure 4-16. 338 Simplified diagram of the ACQ control circuitry on schematics <5> and <6>.

Figure 4-17 shows the external and glitch trigger circuitry, retiming flip-flops, address buffer, SQRAM, trigger sequencer circuit, SQRAM Data/Word recognizer, data selection circuit, and LSI-A.

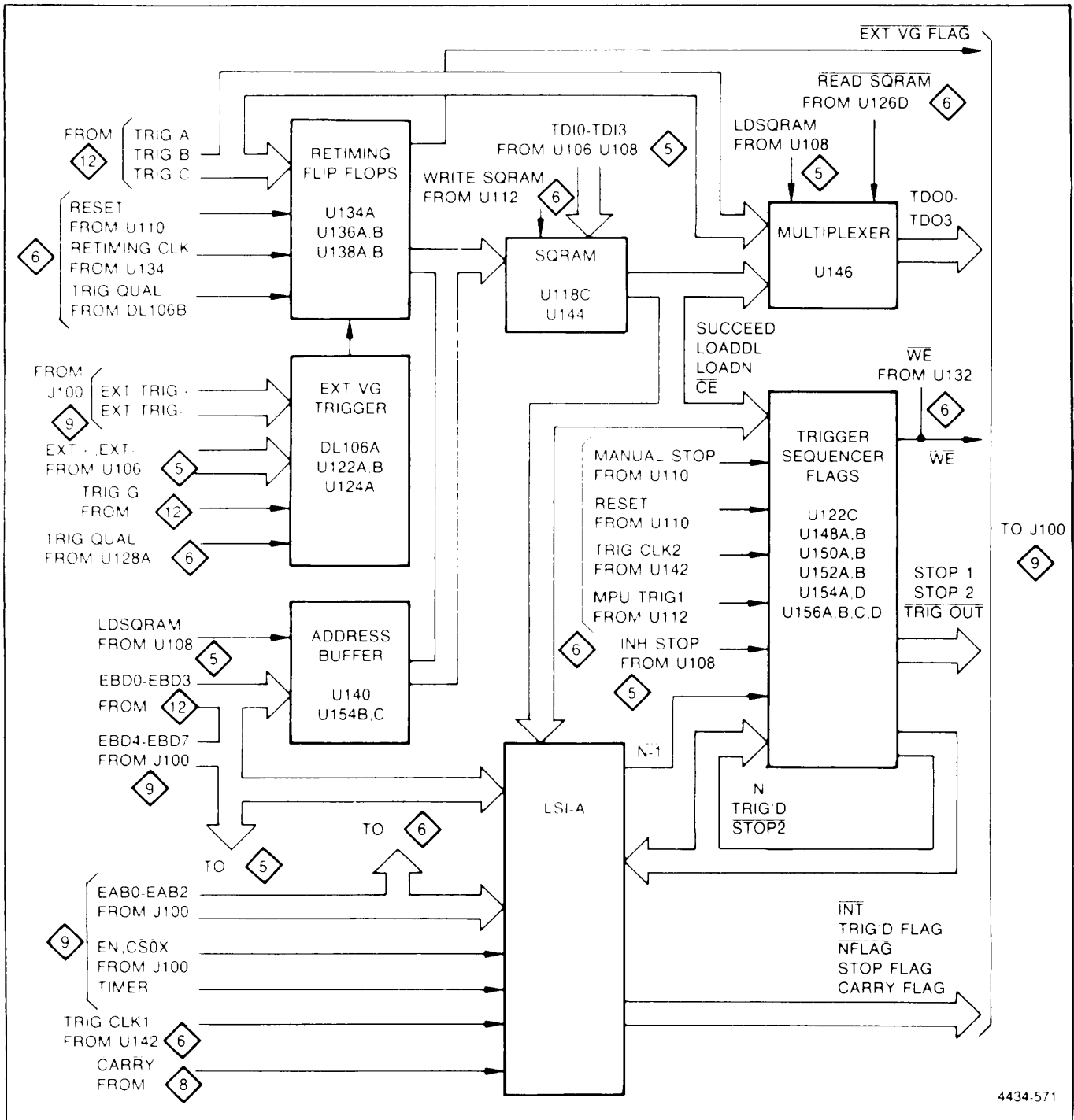


Figure 4-17. 338 Simplified diagram of the ACQ control circuitry on schematic <7>.

I/O ADDRESS DECODER <6>

The I/O address decoder consists of A03U110 and A03U112. The circuit provides a single pulse which activates the specific devices that communicate with the MPU and that control the start logic and the trigger sequence circuitry. This selection is made by the lowest three bits of the address bus during I/O instruction execution to the ACQ control board.

QUALIFY/SQRAM DATA REGISTER <5>

The qualify/SQRAM data register consists of A03U106, A03U108, A03U102, and A03U104. The MPU writes the qualify data into U106 at I/O address 50_{hex}, U108 at I/O address 51_{hex}, and into A03U102 and A03U104 at I/O address 52_{hex}.

The data format is illustrated in Figures 4-18 and 4-19.

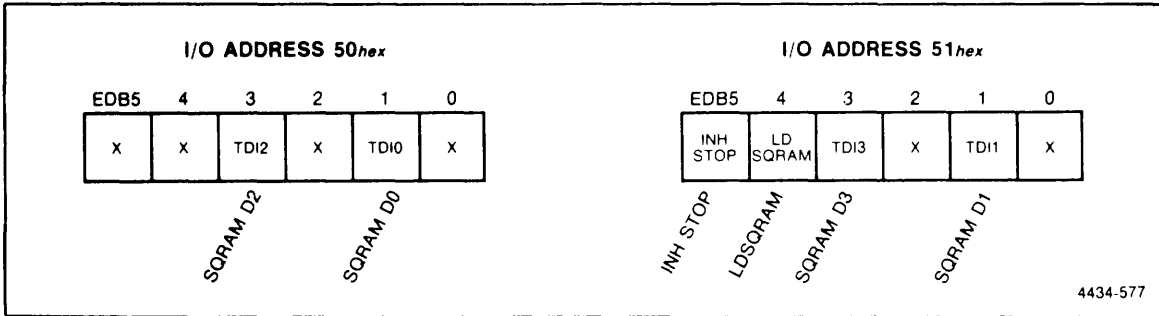


Figure 4-18. 338 SQRAM data register format.

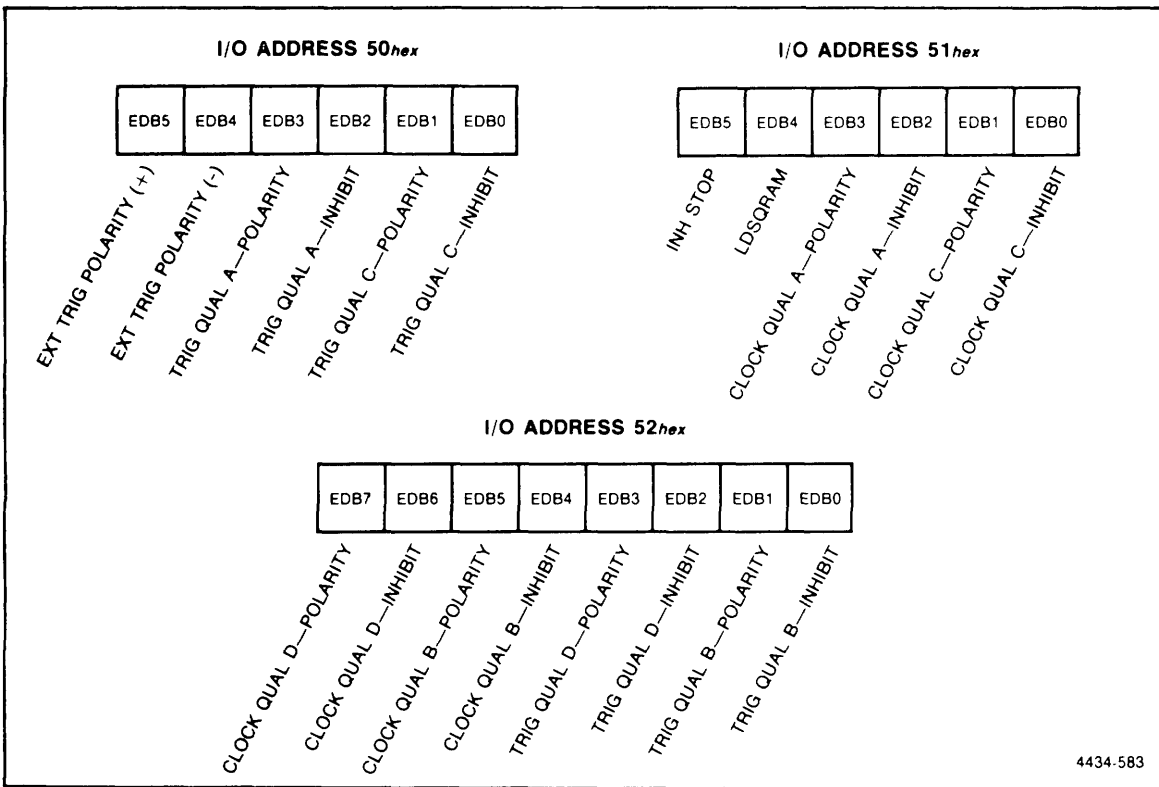


Figure 4-19. 338 Qualify register format.

QUALIFY LOGIC <5>

The qualify logic consists of A03U100, A03U114A, A03114B, A03U114C, A03U116A, A03U116B, A03U116C, A03U118A, and A03U118B. The qualifier signals QA, QB, QC, and QD from the A02 INPUT B board go to gate A03U100, where they are converted into inverting and non-inverting signals. The signals are wire-ANDed with the outputs of qualify registers A03U106, A03U108, A03U102, and A03U104, and go to EXOR gates A03U114, A03U116, and A03U118 where their polarities are selected according to the polarity selection bits of A03U102, A03U104, A03U106, and A03U108. Each output of the XOR gates is wire-ANDed to form the trigger and clock qualify signals. These two signals go to gates A03U126A and A03U126B <6> of the start logic.

START/STOP LOGIC <6>

The start/stop logic consists of A03U124B, A03U126A, and A03U126B. When the data acquisition starts, a START1 pulse is generated at I/O address 56_{hex} and goes to the clock input of A03U 1 24B.

The output signal of this flip-flop enables the TRIG QUAL1 and CLOCK QUAL signals to pass through gates A03U126A and A03U126B to the inputs of the trigger qualify and the clock qualify flip-flops.

START2 is issued at I/O address 55_{hex} to get the acquired data from the ACQ memory on the A04 board. The MPU sets the data by incrementing the address counter on the A04 board at I/O address 54_{hex}.

At the end of the data acquisition, the STOP1 signal is issued by the output of the STOP flag. At the end of the read from ACQ memory operation, MANUAL STOP is generated at I/O address 53_{hex}.

TRIGGER QUALIFY FLIP-FLOP <6>

The trigger qualify flip-flop consists of A03U128A. The trigger qualify signal is clocked into the Dtype flip-flop every system clock.

The output of the flip-flop connects to one of the retiming flip-flops through delay line A03DL106B.

RETIMING CLOCK <6>

The retiming clock circuit consists of A03U128B, A03C100, A03R136, A03DL102, A03U134B, and A03U142C <6>. The pulse generated by A03U128B, A03C100, and A03R136, called the retiming clock generator, goes through delay line A03DL102 to the clock pin of A03U134B.

The pulse delay time is adjusted by selecting a tap of J200. The pulse is used as the retiming clock by which the trigger data is latched into the retiming flip-flops.

CLOCK QUALIFY FLIP-FLOP <6> The clock qualify circuit consists of A03U130, A03DL100B, A03DL100A, A03U142D, A03R130, and A03C1025. The pulse generated by A03U130A and A03DL100B goes through A03DL100A and A03U142D to the clock pins of A03U130B, A03U132A, and A03U132B as the trigger pulse for the strobe generators.

STROBE GENERATOR <6>

The strobe generator contains the write enable (WE) circuit, the address clock (ADRSCLK) circuit, and the trigger clock (TRIGCLK1, TRIGCLK2) circuits.

The WE clock circuit consists of A03U132B, A03R112B, A03R132, and A03C106 <6>. The output of A03U132B is wire-ORed with the output of the STOP flag and goes to the write enable inputs of the ACQ memory on the A04 ACQ Memory board <8>.

During data acquisition, the data acquired from the parallel data probes is written into memory at the location pointed to by the address counter. At the end of the data acquisition phase, the output of the STOP flag pulls the WE signal line high, and data acquisition stops.

The width of the WE pulse is determined by the adjustable capacitor A03C104.

The address clock (ADRSCLK) circuit consists of A03U132A, A03R122A, A03R134, and A03C104 <6>. The ADRSCLK pulse generated by this circuit is applied to the clock inputs of the address counter (A04U136 and A04U138 <8>) on the A04 ACQ Memory board.

During data acquisition, the address clock pulse ADRSCLK is supplied to the address counter to determine the address for the ACQ memory on the A04 board.

In the data read mode, the address clock is generated by STEP CLOCK.

The width of the address clock is determined by A03C104.

The trigger clock circuit consists of A03U130B, A03DL104A, A03DL104B, A03U124A, and A03U142B <6>. The pulse generated by A03U130B and A03DL104B goes through A03DL104A to the trigger sequencer flags, at A03U148 and A03U150, and LSI-A <7>. TRIGCLK1 goes to LSI-A; TRIGCLK2 goes to the trigger sequencer flags.

The trigger sequence advances at the rate of the TRIG clock as events are recognized.

NOTE

Refer to Figure 4-17 for a simplified block diagram of the ACQ control circuitry on schematic <7>.

EXTERNAL OR GLITCH TRIGGER CIRCUIT <7>

This circuit consists of A03U122A, A03U122B, A03U124A, and A03DL106A <7> .

External trigger polarity is selected by gates A03U122A and A03U122B.

Polarity data EXT \uparrow and EXT \downarrow come from the qualify register A03U106 <5>.

The selected external trigger signal is fed into the clock input of A03U124A. The glitch trigger is connected to the reset pin and the TRIG QUAL signal is connected to the set pin.

Flip-flop A03U124A is enabled when TRIG QUAL is low. The output of A03U124A goes to the input of one (A03U138A <7>) of the retiming flip-flops.

RETIMING FLIP-FLOP <6>

The retiming flip-flops consist of A03U138A, A03U138B, A03U136A, A03U136B, and A03U134A <7>.

The signals TRIG A, TRIG B, TRIG C, EXTVG FLAG, and TRIG QUAL are latched into each flip-flop by the retiming clock.

TRIG A, TRIG B, and TRIG C are issued by the word recognizers on the A01 and the A02 boards.

The outputs of these flip-flops are wire-ORed with the outputs of the address buffer (A03U140 and A03U154B and A03U154C) and go to the address inputs of the SGRAM.

ADDRESS BUFFER <7>

The address buffer consists of A03U140, A03U154B, and A03U154C. These gates can be enabled only while setting up the SGRAM.

Their outputs are used as the address to the SGRAM when loading the trigger sequencer table.

The control signal for the gates is called LDSGRAM. LDSGRAM comes from A03U108 <5>.

TRIGGER SEQUENCER RAM <7>

The trigger sequencer RAM (SGRAM) is a 4-bit high-speed memory, consisting of A03U144.

This memory can be operated in either read or write mode. Before acquisition, the memory is operated in write mode. During acquisition, the SGRAM is operated in the Read mode.

To provide a trigger sequencer table to the SGRAM, the MPU writes the data already set in the data register (A03U106 and A03U108 <5>) into the SGRAM at I/O address 58_{hex} . The address to the SGRAM is supplied by the MPU data.

The memory address is determined by the current status of the retiming flip-flops. The data from SGRAM is applied to the trigger sequencer circuit.

The data consists of four signals: \overline{CE} ., LOADN, LOADDN, and SUCCEED.

The \overline{CE} signal enables the event/delay counter in the LSI-A.

The LOADN signal indicates that the contents of the N register in LSI-A is loaded into the event/ delay counter at the rising edge of the trigger clock.

The LOADDL signal indicates that the contents of the DL register in LSI-A are loaded into the event/delay counter by the trigger clock, and at the same time, the delay sequence begins.

The SUCCEED signal is used when the trigger sequence is in the succeed mode. The trigger words must be satisfied sequentially in order to generate the trigger.

TRIGGER SEQUENCER FLAG <7>

The trigger sequencer flag circuit consists of A03U122C, A03U148A, A03U148B, A03U150A, A03U150B, A03U152A, A03U152B, A03U154A, A03U154D, A03U156A, A03U156B, A03U156C, and A03U156D.

It contains four main flags: N flag, TRIG'D flag, SUCCEED flag, and STOP flag.

N Flag Circuit. The N flag circuit consists of A03U150B, A03U152B, and A03U152A.

The output of the carry flag of the event/delay counter N-1 (contained in LSI-A) goes low when Word A has been counted N-1 times. N-1 connects to the inputs of the N flag flip-flop.

The N-1 flag is set to high at the next word A, and held high until trigger word B arrives.

When reset word C arrives before trigger word B, the LOADN signal is issued from the SGRAM and the N flag is reset.

TRIG'D Flag Circuit. The TRIG'D flag circuit consists of A03U150A and A03U156C <7>. When the trigger word arrives from the parallel data probe, the LOAD DL signal from the SGRAM goes high, and the TRIG'D flag is set at the rising edge of the trigger clock. At the same time, the contents of the DL register are loaded into the event/delay counter and the delay counting is started. The trigger circuit is looped through A03U156, so the flag can not be reset until the acquisition cycle is complete.

SUCCEED Flag Circuit. The SUCCEED flag circuit consists of A03U148, A03U156B, and A03U154.

This flag is used only when the trigger mode is a three-word successive trigger sequence, such as "WA followed by B followed by C," or "WA then B then C," or "WA followed by B then C."

In this mode, when word B arrives from the parallel data probes, the SUCCEED signal from the SGRAM goes high, and the SUCCEED flag is set at the rising edge of the trigger clock. The TRIG'D flag follows the SUCCEED flag when word C is acquired.

If the acquired data could not form a successful trigger sequence, the LOADN signal is issued from A03U144 <7> to reset the N flag and the SUCCEED flag.

STOP Flag Circuit. The STOP flag circuit consists of A03U154D, A03U148A, A03U122C, A03U156A, and A03U156D <7>.

The STOP flag is set after the delay counter in LSI is counted out; it disables three circuits as follows:

1. Prohibits write operations to the ACQ memory by forcing the \overline{WE} signal line high.
2. Disables the input clock by resetting the START flag flip-flop A03U124B <6>.
3. Disables the ACQ address counter (A04U136 and A04U138 <8>) on the A04 ACQ Memory board.

When the data acquisition is restarted, the stop flag will be reset by the RESET signal.

SGRAM, DATA/WORD RECOGNIZER, DATA MULTIPLEXER <7>

This circuit consists of U146 <7>. It is used only for diagnostic testing of the SGRAM and the word recognizer.

LSI A A03U158 <7>

LSI-A (A03U158) is a bipolar LSI circuit designed by Sony/Tektronix.

LSI-A includes an address decoder, 16-bit N register, 16-bit DL register, 16-bit synchronous preloadable counter with fast-carry propagation logic, the mask register, and the acquisition status logic.

Address Decoder. The address decoder provides necessary pulses for the initialization and presetting of the above circuits. Circuit selection is made using the three LSBs of Address from the MPU, while $\overline{CS0X}$ is low.

N Register. The N register is 16-bit register that holds the N value assigned in the trigger menu. The MPU writes the N value into the N register at I/O address 41_{hex} and 42_{hex} .

DL Register. The DL register is 16-bit register that holds the DELAY value assigned in the trigger menu. The MPU writes the DELAY value into the DL register at I/O address 43_{hex} and 44_{hex} .

Mask Register. The mask register is a 5-bit register that holds mask bits for interrupts. The MPU writes the mask data into the mask register at I/O address 40_{hex} .

Event/Delay Counter. The event/delay counter is a 16-bit synchronous preloadable counter with fast-carry propagation logic. The counter is controlled by three signals: \overline{CE} , LOADN, and LOADDL which are described in the following paragraphs. The counter includes carry detection logic which generates the $\overline{N-1}$ signal when it counts out.

ACQ Status Logic. The ACQ status consists of four flags: DTFLG, WAFLG, STFLG, CRFLG, and the \overline{INT} signal.

The MPU gets these signals (except for \overline{INT} , by issuing RDSTS at I/O address $5D_{hex}$.

\overline{INT} is caused by any state change of any flag, and each flag bit can be masked by the mask bit of the mask register.

The function of each signal in LSI-A is shown in Table 4-11.

Table 4-11.
338 LSI-A INPUT SIGNALS

Signal Names	Description
EN	Active low; indicates that the MPU provides data on the data bus (D0-D7) to LSI-A.
$\overline{CS0X}$	Active low; indicates that the MPU accesses LSI-A.
$\overline{A0-A2}$	The data for the address decoder located in LSI-A.
D0-D7	The data bus. The MPU puts the data for LSI-A on the bus.
TRIG CLK	Active high; connected to the clock input of the event/delay counter. The counter increments or loads the contents of the N register or the DL register according to the control signals.
CE	Active low; the count enable signal. The counter increments at the rising edge of the TRIG CLK if CE is low.
LOADN	Active high; if high, the N value of the N register is loaded into the counter at the rising edge of the TRIG CLK.
LOADDL	Active high; if high, the DELAY value of the DL register is loaded into the counter at the rising edge of the TRIG CLK.

Table 4-11.
338 LSI-A INPUT SIGNALS

Signal Names	Description
TIMER	Timer from the LSI-B occurs at a constant interval after it is cleared by the CLR INT signal at I/O address 5F _{hex} .
TRIG'D	Active high; the output of the TRIG flag. Indicates that the trigger sequencer has been triggered.
RESET	Clears the flip-flop in LSI-A that temporarily saves the TRG'D signal.
N	Active low; the output of the N flag. It indicates that NA in the trigger sequence is complete.
STOP2	Active low; the output of the STOP flag. Indicates that the data acquisition is complete.
CARRY	Active low; set by the carry flip-flop on the A04 board, which detects a carry condition from the A CQ memory address counter.
RDSTS	Generated at I/O address 5D _{hex} by the MPU to request the status signals.

Table 4-12.
LSI-A OUTPUT SIGNALS

Signal Names	Description
N-T	Active low; generated as a carry bit when the event/delay counter reaches full count.
INT	Active low; the output of the INT flag in LSI-A. The MPU receives INT when an interrupt in the ACQ status logic occurs. INT is caused by any change in any status signal. The INT flag is reset by RDSTS.
WAFLG	Active low; read as NFLAG by the MPU issuing RDSTS. WAFLG is the output of the same latch which N is latched into by RDSTS.
DTFLG	Active high; read as TRIG'D FLAG by the MPU issuing RDSTS. DTFLG is the output of the same latch which TRIG'D is latched into by RDSTS.
STFLG	Active high; read as STOP FLAG by the MPU issuing RDSTS. STFLG is the output of the same latch which STOP2 is latched into by RDSTS.
CAFLG	Active high; read as CARRY FLAG by the MPU issuing RDSTS. CAFLG is the output of the same latch which CARRY is latched into by RDSTS.

338 A04 ACQ MEMORY BOARD <8> <9>

ACQUISITION MEMORY AND ACQ ADDRESS COUNTER <8>

The acquisition memory and the ACQ address counter circuit consists of data memories for parallel acquisition and the address counter for these memories. A simplified diagram of the acquisition memory and the ACQ address counter is shown in Figure 4-20.

Chip Select Latch. The chip select latch (A04U144) is used to enable each 8-bit pair of the acquisition memory and for identifying the instrument type. It is written to by the MPU with the WRITE BS signal from the A03 ACQ Control board.

Acquisition Memory. The 256-word X 40-bit high-speed memory consists of RAMs A04U116, A04U118, A04U120, A04U122, A04U124, A04U126, A04U128, A04U130, A04U132, and A04U134. The ACQ memory location of each data bit to be stored is controlled by the address counter.

These memories operate in either write or read mode. In the write mode, the low level of the \overline{WE} pulse, applied to pin 8 of each RAM, stores the input data in the location defined by the ACQ Address Counter. During the write operation, a low on the CS0, CS1, CS2, CS3, and CS4 lines enables the RAMs. When the RAMs are in the read mode, a high on their WE input prevents them from accepting new data. A low on the CS1, CS2, CS3, and CS4 lines enables the RAMs. Data in the RAMs can be sequentially read by incrementing the ACQ address counter after each read operation. The outputs of the RAMs are connected to the data selector (A04U142 and A04U144 <9>).

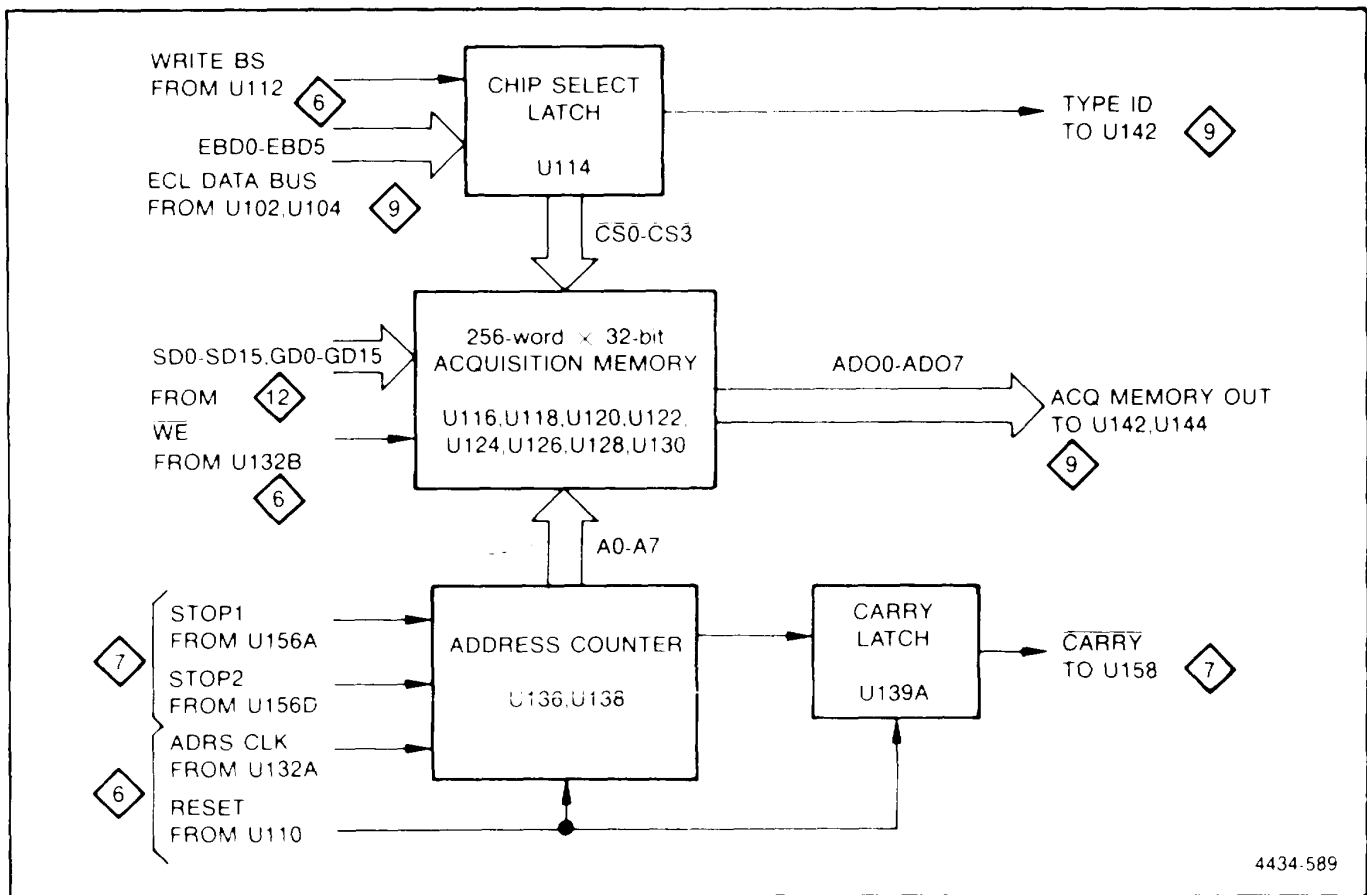


Figure 4-20. 338 Simplified drawing of the acquisition memory and ACQ address counter circuit.

ACQ Address Counter and Carry Latch. The ACQ address counter designates the memory location for each data bit to be stored. The counter, consisting of A04U136 and A04U138, is a synchronous, 8-bit (divide by 256) binary counter which is reset to zero by the RESET signal from the A03 ACQ control board at the beginning of each acquisition.

The counter outputs Q0 through Q3 are connected to the address inputs of A04U116, A04U118, A04U120, A04U122, A04U124, A04U126, A04U128, A04U130, A04U132, and A04U134.

Counter A04U138 provides a carry output to the carry latch, A04U139A. After one full memory cycle, the carry latch provides a latched low-level signal on the pin 2 output of A04U139A. It serves as the address counter CARRY signal.

TIMEBASE AND MPU BUS INTERFACE <9>

The timebase and MPU bus interface circuit consists of the frequency divider, timer, slow clock detector, INTCLK buffer, data selector, full valid flag latch, TTL-to-ECL translator, ECL-to-TTL translator, and the address decoder. A simplified diagram of this circuit is shown in Figure 4-21.

TTL-to-ECL Translator. The TTL-to-ECL translator consists of A04U100, A04U102, A04U104, A04U106, and A04U108. It accepts a TTL-level signal from the MPU bus and translates it to a differential ECL-level signal.

Address Decoder. The address decoder consists of A04U112C and A04U110. It provides the chip-select and enable signals which select the specific device needed to communicate with the MPU. This selection is determined by outputs from the 3-line-to-8-line decoder, A04U110. Gate A04U112C supplies the I/O enable signal \overline{EN} (which is an ORed signal of BRD and BWR).

Oscillator. The oscillator circuit consists of A04U112A and A04U112B <9>. A04U112A and crystal A04Y100 form a 100 MHz crystal-controlled oscillator. The 100 MHz oscillator is buffered by A04U112B before being divided by A04U140 (LSI-B).

Divider, Timer, and Slow Clock Detector. The divider, timer, and slow clock detector are contained on (LSI-B) A04U140. More information about LSI-B is provided under the paragraph labeled *LSI-B (A04U140)*.

The frequency divider provides the 20 ns to 500 ms clock output. A clock output is determined by the internal timebase selection register. The selected internal clock signal is sent to the INTCLK buffer A04U112D. The INTCLK selection data is shown in Table 4-15.

The timer generates the selected constant interval signal for an interrupt to the MPU. This signal is reset by the RDSTS signal.

The slow-clock detector circuit provides the capability to detect a slow sampling clock rate (clock less than 25 ms) in the external clock operation mode. When the clock rate is slow, the CLKSLW signal holds a high state and the MPU displays SLOW CLOCK on the screen. The timing diagram of the timer and the slow-clock detector circuit is shown in Figure 4-22.

INTCLK Buffer. The INTCLK buffer consists of A04U112D. It provides a power boost and improves the waveform shape for INTCLK signals on the bus.

Data Selector. The data selector consists of A04U142 and A04U144. It provides data selection of either acquisition memory output or acquisition status output. This data selector is controlled by the READ ACQ DATA signal.

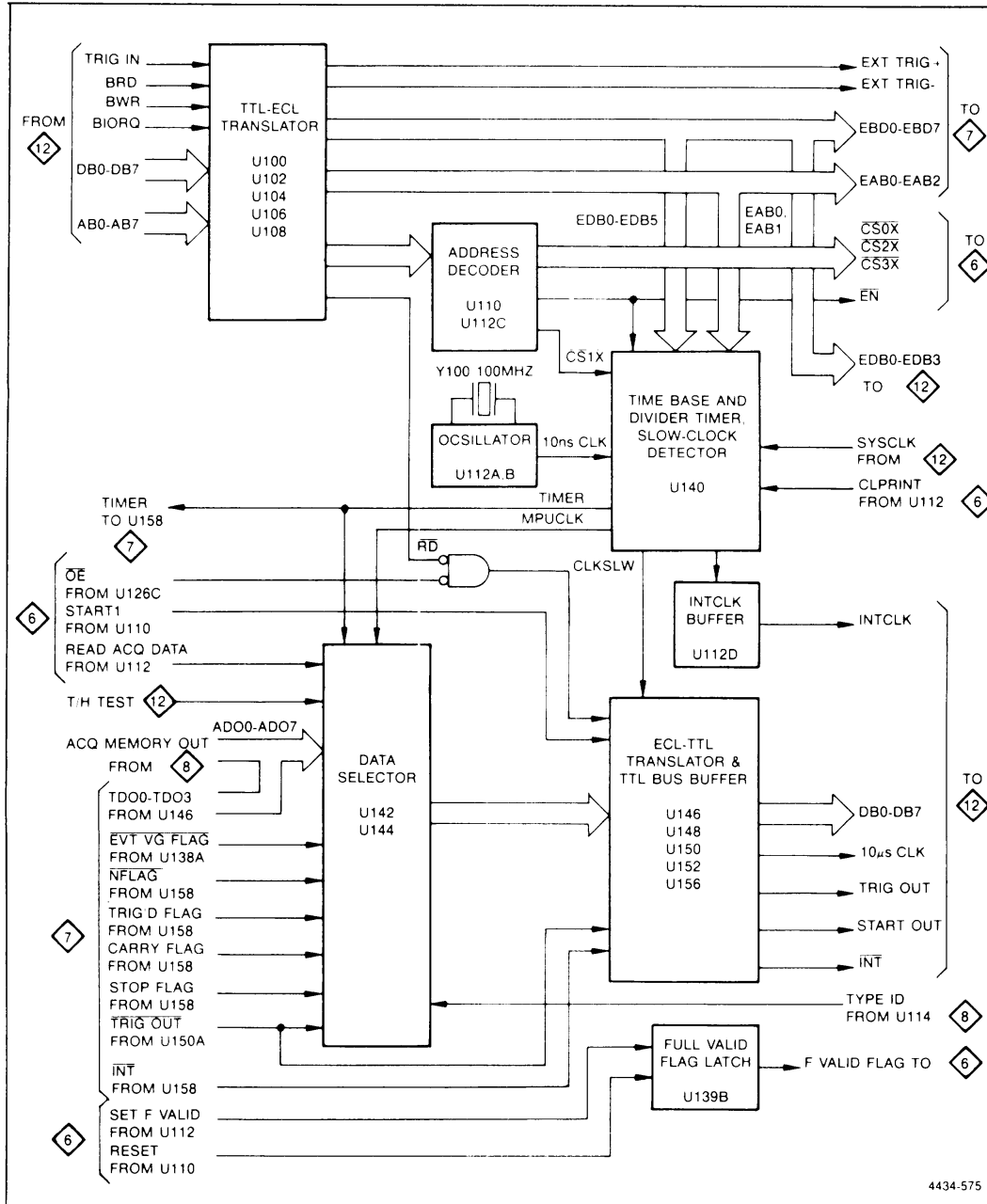


Figure 4-21. 338 Simplified diagram of the timebase and MPU bus interface circuit.

When the MPU reads the acquisition memory data, it sets the SELECT input (pin 9, READ ACQ DATA signal) to high, and connects the acquisition memory data to the data selector output. If the SELECT input is low, acquisition status is selected, and the MPU reads acquisition status as data.

ECL-to-TTL Translator and TTL Bus Buffer. The ECL-to-TTL translator and TTL bus buffer consists of A04U146, A04U148, A04U150, A04U156, and A04U152. The ECL-to-TTL translator receives ECL-level signals from the data selector A04U142 and A04U144. A04U146, A04U148, and A04U150 are ECL-to-TTL translators with totem-pole outputs. A04U156 is a comparator with an open-collector output for wired-AND capability. The TTL bus buffer, A04U152, provides the power booster with tri-state control for the I/O common bus. It is enabled by the \overline{RD} and \overline{OE} signals.

Full Valid Flag Latch. The full valid flag latch consists of A04U139B. It provides the Full Valid Data Display mode. This latch is set by the SET F VALID signal and reset by the RESET signal from the A03 ACQ Control board.

LSI-B A04U140. The Sony/Tektronix A04U140 is a hybrid chip that provides simplified circuit construction, reduced circuit board space, and lower power consumption. Its circuitry consists of an address decoder, divider, timer, and slow clock detector.

The address decoder circuit consists of four decoders that enable the MPU to select the: sample interval, gate clock interval, timer clock interval, and step clock. The address decoder provides necessary pulses for the initialization and presetting of the above circuits. The selection is determined by the two bits of address and six bits of data from the MPU when $\overline{CS\overline{T}X}$ is low.

The divider circuit consists of a 7-stage decade counter, and divide-by-2 and divide-by-5 counters based on a ring counter circuit. The output of these counters is delivered as the INTCLK signal via the 1-2-5 sequence selector.

The timer circuit consists of an output latch, which is reset by the RDSTS signal from the A03 ACQ Controlboard. It generates a constant interval timing signal ranging from one to five multiples of the internally generated 100 ms clock.

The slow-clock detector circuit consists of two shift registers and a control flip-flop.

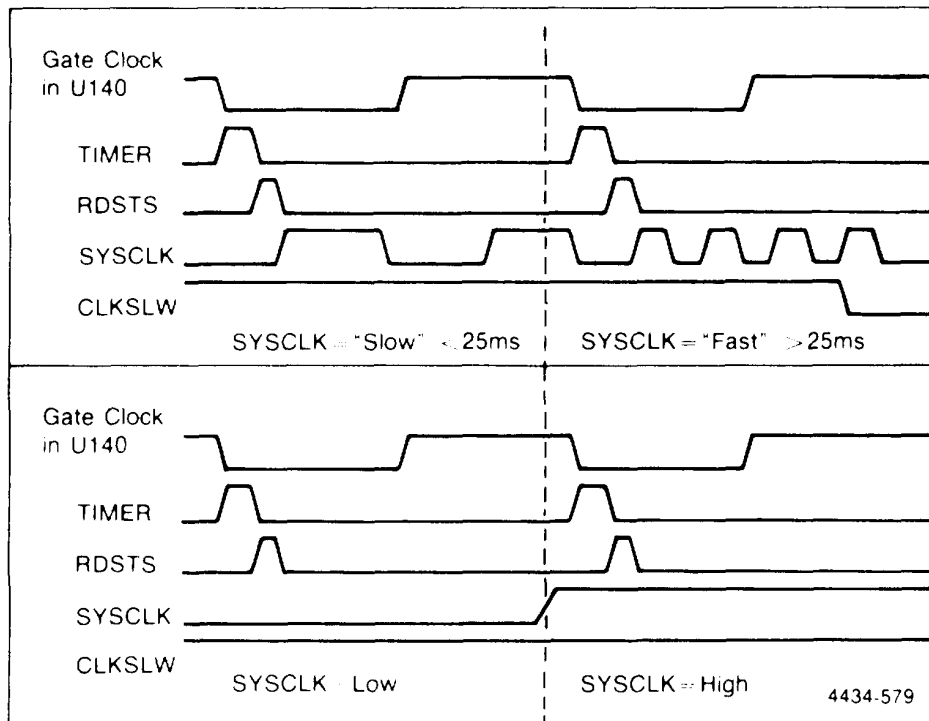


Figure 4-22. 338 Timing diagram of the slow-clock detector and timer circuit.

The CLKSLW signal is initialized to high level by the RDSTS signal.

If the SYSCLK signal is either high or low for two or more consecutive pulses, the internal shift registers are not clocked, and the low level at the input of the first shift register bit is not transferred to the second shift register; this causes the CLKSLW signal to be output.

When the SYSCLK is less than 25 ms (slow rate), the shift registers are clocked by SYSCLK. But the CLKSLW output is not changed because a control gate of the shift register closes before the second rising edge of SYSCLK arrives.

When the SYSCLK rate is fast (above 25 ms), the low level pulse provided by the first shift register is successfully transferred to the second shift register which cancels the CLKSLW output.

The four conditions of the CLKSLW output (high, slow, low, and fast) must be read before the start of gate timing, because the CLKSLW signal is changed by the gated SYSCLK.

The function of each signal in A04U140 is as follows:

Table 4-13.
318 LSI-B (A04U140) INPUT SIGNALS

Signal Names	Description
EN	Generates data latch strobe. The data latch state is changed by a low-level pulse of this signal.
$\overline{CS1X}$	Chip select for A04U140.
A1-A0	Address for data latch. (A1=MSB, A0=LSB)
D5-D0	Data for internal selector. (D5= MSB, D0= LSB)
10NCLK	10 ns clock for internal divider.
SYSCLK	System clock to be compared with gate clock in the Slow Clock Detector circuit.
RDSTS	Read status for Slow Clock Detector circuit operations; trigger and timer output are reset.

Table 4-14
318 LSI-B (A04U140) OUTPUT SIGNALS

Signal Names	Description
INTCLK	Selected internal clock (20 ns - 500 ms).
10UCLK	10 us period clock for the test output on the A01 board.
CLKSLW	Compared result of slow clock detector circuit. This signal condition is: 0 - One period of SYSCLK is shorter than a half interval of gate clock. 1 - One period of SYSCLK is longer than a half interval of gate clock.
TIMER	Constant interval timer with reset by RDSTS.

Table 4-15.
INTERNAL CLOCK (INTCLK)

Input of A04U140 (EN, CS1X low)						Selected internal clock at of A04U140 pin 13
D5	D4	D3	D2	D1	D0	
1	X	0	1	0	1	20ns
1	X	1	0	1	0	50ns
0	1	1	1	0	0	100ns
0	1	1	1	0	1	200ns
0	1	1	1	1	0	500ns
0	1	1	0	0	0	1μs
0	1	1	0	0	1	2μs
0	1	1	0	1	0	5μs
0	1	0	1	0	0	10μs
0	1	0	1	0	1	20μs
0	1	0	1	1	0	50μs
0	1	0	0	0	0	100μs
0	1	0	0	0	1	200μs
0	1	0	0	1	0	500μs
0	0	1	1	0	0	1ms
0	0	1	1	0	1	2ms
0	0	1	1	1	0	5ms
0	0	1	0	0	0	10ms
0	0	1	0	0	1	20ms
0	0	1	0	1	0	50ms
0	0	0	1	0		100ms
0	0	0	1	0	1	200ms
0	0	0	1	1	0	500ms
0	X	X	X	1	1	* by CPU

0 - Low, 1 - High, X - Don't care

AI, A0 of A04U140 set to be 00_{hex}.

* Disable internal clock generated by the 100MHz oscillator.

**VERIFICATION AND
ADJUSTMENT PROCEDURES**

VERIFICATION AND ADJUSTMENT PROCEDURES

INTRODUCTION

This section of the manual contains three main parts:

- Functional check procedures
- Adjustment procedures
- Performance check procedures

These procedures, along with the test setup information at the beginning of this section, allows a qualified technician to adjust and verify the operation of the 318/338 and 318S1/338S1 Logic Analyzers.

NOTE

Throughout this manual the term verification is used to mean either a functional check or a performance check.

Functional Check Procedures. These tests verify that the device undergoing the functional test is basically operational. The procedure exercises the main user interfaces of the device to verify their operation and checks the main internal features. These tests can be used to determine whether adjustment and/or repair is necessary.

Adjustment Procedures. These instructions for setting variables should bring the device being adjusted within product specifications. If the instrument can not meet the specifications given in this manual after adjustment, repair is necessary.

Performance Check Procedures. These tests provide a detailed check of internal and external product characteristics. All specifications listed in the performance requirements column of the specifications are verified. These checks can be extensive and time consuming. Under normal circumstances, the functional check procedure provides an adequate test of product performance in a less-costly or less time-consuming manner.

318/338 MULTI-PROBE TEST FIXTURE

We recommend that you construct the following test fixture to assist in checking the performance of the 318/338.

The 318/338 multi-probe test fixture functions as a BNC-to-square pin adapter with 50 ohm termination. Its purpose is to connect multiple 318/338 probe leads to a single pulse generator output without causing excessive capacitive and inductive loading. It also provides a connection for the test oscilloscope's 10X probe used in monitoring the pulse generator's output.

NOTE

The lead distance from the ground pins to the BNC connector body is critical; keep this distance as short as possible. Any excessive lead length in the fixture will distort high-speed signals. Also, use only short comb lead sets when connecting this fixture to the P6451 probe.

Parts list:	Part number	Quantity
Connector (BNC), male	131-0602-00	1
Connector, Rcp. Elect. (oscilloscope probe)	131-0258-00	1
Plain ^{hex} nut	210-0413-00	1
Right-angle terminal set (right-angle square pins)	131-1425-00	2
Connector terminal set (straight square pins)	131-1343-00	2
Terminal lug 1/4 inch	210-0223-00	1
Terminal lug .391 inch I.D.	210-0225-00	1
Resistor, 51 ohm, 1 watt	303-0510-00	1
Short flying lead set	012-0987-00	1

1. Fabricate the chassis.
 - a. Using 50 mil aluminum, cut and drill the chassis according to Figure 5-1.
 - b. Bend the chassis up to right angles at each bend line on the wide part of the chassis. Do not make the final 3/8-inch bend on the tail end at this time.

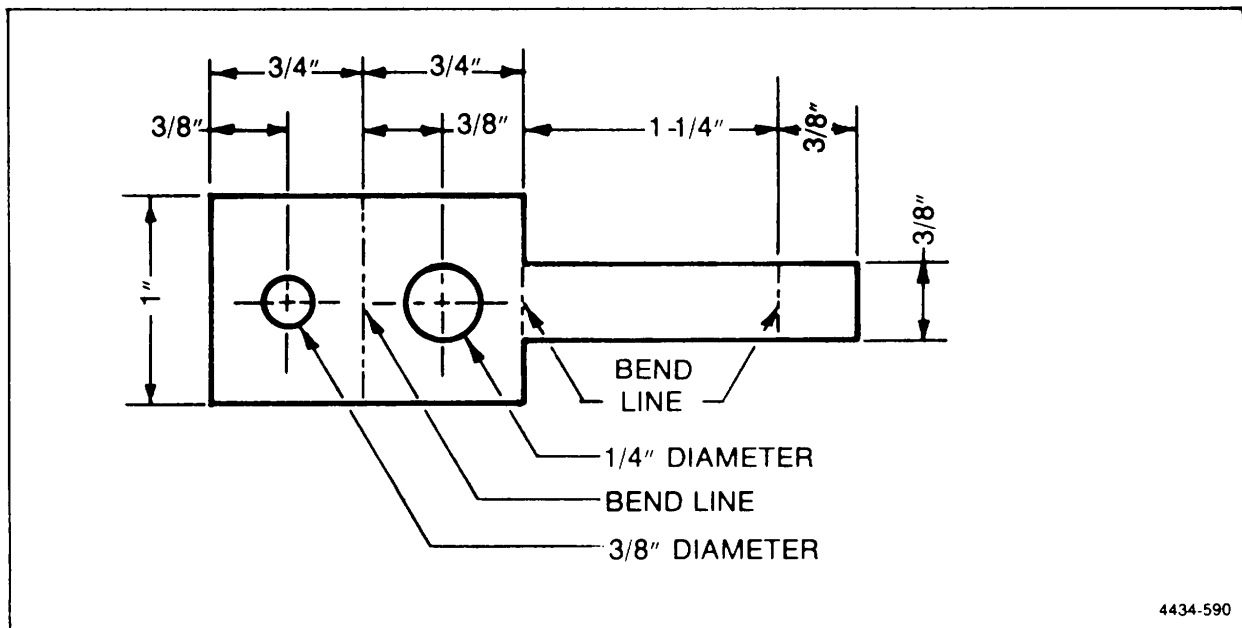


Figure 5-1. Test Fixture construction diagram.

2. Assemble the square pins.
 - a. Cut two 11-pin lengths of right-angle square-pin terminals, and two 11-pin lengths of straight-pin terminals.
 - b. Glue one strip of right-angle square pins on to one strip of straight pins so that the pins align vertically.
 - c. Solder each right-angle pin to the straight pin immediately below. Repeat this procedure for the other set of straight and right-angle square pins.

- d. Place the square pin strips back to back and solder the last pins on each end of the strips together. (You should now have the outermost four pins on each end of the assembly soldered together.)
 - e. Now solder together the middle nine sets of pins so that all nine middle sets are electrically connected.
 - f. Clip the end set of four pins (one pin off each strip) from one end of the square-pin assembly. This is now the back end of the assembly. The front set of four pins (those not soldered to the middle nine sets) will be connected to ground.
3. Assemble the parts
- a. Refer to Figure 5-2. Solder the ground lug from the BNC plug to the first set of four pins (front end) on the square-pin assembly. It is important that this connection be as short as practical to avoid high-speed signal loss.
 - b. Solder one end of the 50 ohm resistor to the scope probe connector's ground lug.
 - c. Attach the scope probe connector and the BNC connector (including ground lugs and attached square-pin assembly) to the chassis.
 - d. Bend the tail end of the aluminum chassis up and glue it to the back end of the square-pin assembly.
 - e. Solder the center connectors from the BNC connector, and the oscilloscope probe connector to the center nine pin sets on the square-pin assembly. Keep this connection as short as practical to avoid high-speed signal loss.
 - f. Solder the remaining lead from the 50 ohm resistor to the center pin of the BNC connector. The test fixture is ready for use.

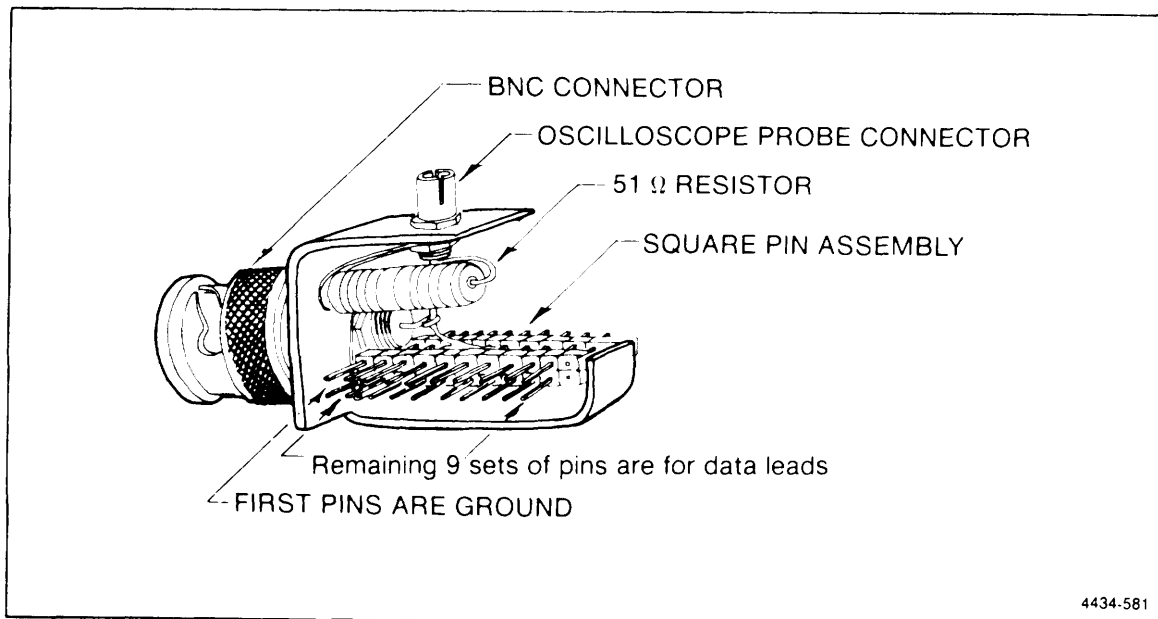


Figure 5-2. Assembled Test Fixture

NOTE

***Use only short comb lead sets when connecting the test fixture to the P6451 Probe.
Here too, short lead lengths are important in avoiding high-speed signal losses.***

TEST SETUP INFORMATION

The procedures in this *Verification and Adjustment Procedures* section require some test equipment and general information relevant to all configurations of the 318/338 Logic Analyzer. This information is presented here at the front of the section to prevent duplication throughout the following procedures.

SUGGESTED TEST INSTRUMENTS

There are three procedures in this section: the functional check, the adjustments, and the performance check. The functional check uses the TEST OUTPUT signal, which is delivered from the 318/338 right side panel; no other instruments are necessary. The adjustments and the performance checks require other instruments. Table 5-1 lists the instruments used at some point in each of these procedures, along with their Tektronix equivalents.

Table 5-1.
**EQUIPMENT NEEDED FOR THE ADJUSTMENT PROCEDURES
 AND THE PERFORMANCE CHECK PROCEDURES**

Description	Perf. Check	Adj. Proc.	Tektronix Equivalent
Oscilloscope 100 MHz dual trace (Mainframe)	1	1	7904
Vertical plug-in	1	1	7A26
Horizontal plug-in	1	1	7B80
Horizontal plug-in	1	1	7B85
Power module	1	1	TM503
Pulse generator	2	1	PG502
Digital delay	1		DD501
Digital multimeter (DMM)	1	1	DM501
Regulated dc power supply	1		PS501
Serial data generator	1		834
Extender boards		2	Maintenance kit 067-1159-00
Ejector		2	
BNC 50 Q 2 W termination	4	1	011-0049-01
1 MQ, 40pF normalizer		1	067-0935-00
2 SQR-pin to probe-tip adapter		1	
BNC T-connector	3	1	103-0030-00
BNC elbow male-to-female adapter	3		103-0031-00
BNC female-to-female adapter	1		103-0029-00
BNC male-to-dual-binder adapter	4		103-0035-00
BNC male-to-male adapter	1		103-0028-00
BNC male-to-probe tip adapter	3	2	013-0084-01
BNC 50 Q cable, 18 inches long	1		012-0076-00
BNC 50 Q cable, 42 inches long	1		012-0057-01
Bus wire	5		18 gauge, 4"
Computer terminal	1		4025

Table 5-2.
MINIMUM SPECIFICATIONS FOR TEST EQUIPMENT

Equipment	Specification	Tektronix Equivalent Instrument
Two-channel oscilloscope with 1-meter probes	175 MHz	7904 (mainframe) with 7A26 (200 MHz dual trace amplifier), 7B80 (1 ns/div delayed timebase), 7B85 (Δ delayed timebase), and P6106 probes
Pulse generator	250 MHz pulse rate, variable output levels	PG502
Digital delay		DD501
Digital multimeter	4.5 digits, 0.05% dc volts accuracy	DM501
Regulated dc power supply		PS501
Power module (optional)		TM506
Serial data generator	performance and features equal to Tektronix 834	834
Computer terminal		4025

FUNCTIONAL CHECK PROCEDURES FOR THE 318

The following procedures are for the 318 Logic Analyzer only. The Functional Check for the 338 Logic Analyzer begins in the second half of this section; refer to the margin tabs for help in locating the 338 procedures.

The Functional Check Procedure verifies that all major sections of the logic analyzer are operational. These tests can be used to determine whether adjustment and/or repair is necessary. The procedures are organized into sets of tests for the mainframe, the acquisition module, each type of probe, and the 318S1 serial acquisition and communication option.

Refer to the beginning of this *Verification and Adjustment Procedures* section, and to the *Operating Information* section, for instructions on probe connections and use of menus.

NOTE

These procedures assume that the user has a moderate understanding of the operation of the 318 menus and hardware. Power-up of the 318 will preset menu selections, power-up must be performed when so instructed.

INDEX OF FUNCTIONAL CHECKS

- Check 1. Power-up Diagnostics
- Check 2. Keyboard
- Check 3. CRT
- Check 4. Threshold Voltage
- Check 5. Parallel Data Acquisition with TEST OUTPUT
- Check 6. Glitch Data Acquisition with TEST OUTPUT
- Check 7. Serial State Analyzer (318S1)

MAINFRAME AND PARALLEL ANALYZER

CHECK 1. POWER-UP DIAGNOSTICS

1. Turn on the 318.
2. Approximately seven seconds after power is turned on, the screen display is initialized. Check to ensure that FAIL is not displayed in any of the test fields. Refer to Figure 5-3.

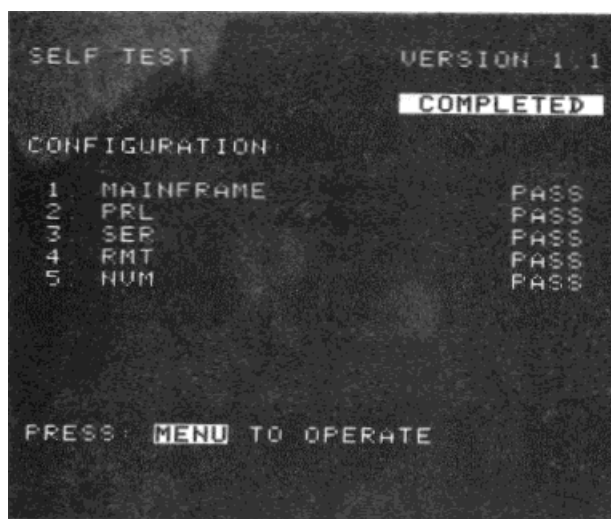


Figure 5-3. 318 Successful Power-up diagnostics display.

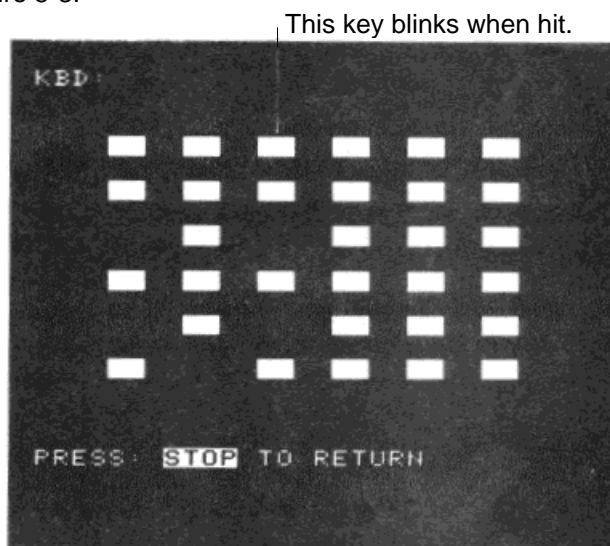


Figure 5-4. 318 Keyboard test display

CHECK 2. KEYBOARD

1. Keyboard operation can be checked with the diagnostic program O.KBD. To start this program, turn on the power while pressing any numeric key until an error message appears on the CRT.
2. When an error message appears, press the START key. The Diagnostics menu will be displayed on the screen. Press 0 to run the KBD test. Refer to Figure 5-4.
3. Press each key individually and observe the CRT display to make sure the corresponding rectangle blinks. Press the STOP key last. The keyboard generates an interrupt and corresponding key code for the MPU when any key except the STOP key is pressed. The MPU reads the key code upon receiving the interrupt from the keyboard and blinks the corresponding rectangle in the key array displayed on the screen. This test provides a check to ensure that each key (except for the STOP key) is sending the correct key code to the MPU. The STOP key is used to exit this program; thus the STOP key's function can be checked at the end of this test.

CHECK 3. CRT

Refer to Figures 5-5, 5-6, 5-7, and 5-8.



Figure 5-5. 318 CRT test cross-hatch pattern.

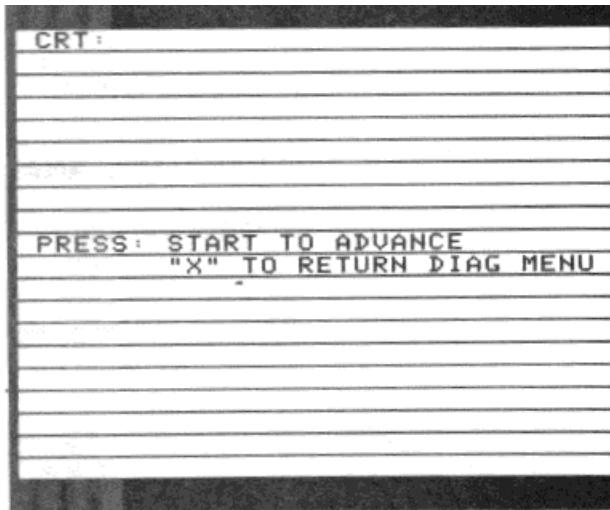


Figure 5-6. 318 CRT test white pattern.



Figure 5-7. 318 CRT test parallel acquisition character fonts.

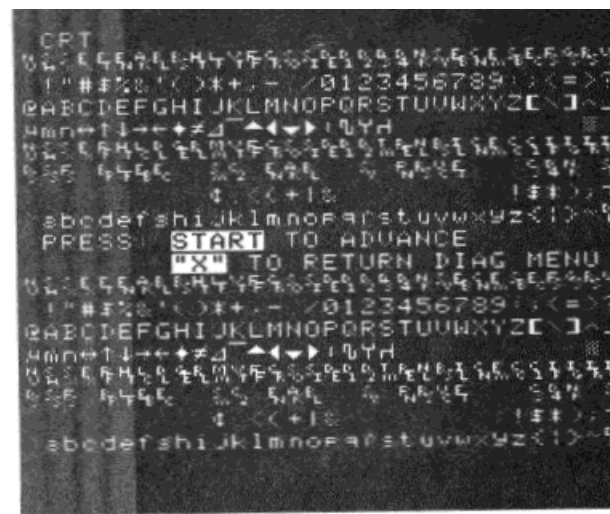


Figure 5-8. 318 CRT test serial acquisition character fonts.

1. The CRT can be visually checked with the diagnostic program 1.CRT. To start this diagnostic program, turn on the power while pressing any numeric key until an error message is displayed on the CRT.
2. When an error message is displayed, press the START key. When the Diagnostics menu is displayed on the screen, select #1 for CRT.

The CRT test generates the following types of patterns for the CRT adjustment and visual check.

- Cross-hatch pattern (Figure 5-5). Used to adjust the CRT circuit.
- White pattern (Figure 5-6). Used to check for phosphor defects.
- All character fonts for Parallel Analyzer mode (Figure 5-7). Used to check the CRT circuit and the CROM (character ROM) for parallel analyzer operations.
- All character fonts for Serial Analyzer mode (Figure 5-8). Used to check the CRT circuit and the CROM for serial analyzer operations.

3. Press the X key to return to the Diagnostic menu.

CHECK 4. THRESHOLD VOLTAGE

1. Connect all the data and ground leads of the P6451 Parallel Data probes in both Pod A and Pod B together and connect them to the instrument ground.
2. Press the THRESHOLD menu key (normal operating mode).

Threshold Level TTL

- a. Set INPUT Thresholds to TTL for for both Pod A and Pod B.
- b. Press the START key. The trigger position (indicated by T) will be displayed on the screen. The trigger position will be <T=7W>, <T= 127W>, or <T=247W> depending on the trigger position setting in the Trigger menu (begin, center, or end).
- c. Check that all data acquired are O's.

Threshold Level V1

- a. Set Threshold LEVEL V1 to +0.3 V.
- b. Set both Pod A and Pod B equal to V1.
- c. Press the START key. The trigger position displayed on the screen will be <T=7W>, <T=127W>, or <T=247W> depending on the trigger position setting in the Trigger menu.
- d. Check that all data acquired are O's.
- e. Set Threshold LEVEL V1 to -0.3 V.
- f. Press the START key. The trigger position displayed on the screen will be <T=7W>, <T=127W>, or <T=247W> depending on the trigger position setting in the Trigger menu.
- g. Check that all data acquired are 1's.

Threshold Level V2

- a. Set Threshold LEVEL V2 to +0.3 V.
- b. Set both Pod A and Pod B equal to V2.
- c. Press the START key. The trigger position is displayed on the screen will be <T=7W>, <T=127W>, or <T=247W> depending on the trigger position setting in the Trigger menu.
- d. Check that all data acquired are 0's.
- e. Set Threshold LEVEL V2 to -0.3 V.
- f. Press the START key. The Trigger position displayed on the screen will be <T=7W>, <T=127W>, or <T=247W> depending on the trigger position setting in the Trigger menu.
- g. Check that all data acquired are 1's.

Threshold Level V3

- a. Set Threshold LEVEL V1 to +2.0V and V2 to -1.5 V.
- b. Check that the Threshold LEVEL V3 is +0.25 V.
- c. Set both Pod A and Pod B equal to V3.
- d. Press the START key. The trigger position displayed on the screen will be <T=7W>, <T=127W>, or <T=247W> depending on the trigger position setting in the Trigger menu.
- e. Check that all data acquired are 0's.
- f. Set Threshold LEVEL V1 to -2.0 V and V2 to + 1.5 V.
- g. Check that Threshold LEVEL V3 is -0.25 V.
- h. Press the START key. The trigger position displayed on the screen will be <T=7W>, <T= 127W>, or <T=247W> depending on the trigger position setting in the Trigger menu.
- i. Check that all data acquired are 1's.

CHECK 5. PARALLEL DATA ACQUISITION WITH TEST OUTPUT

1. Parallel Data Acquisition

- a. Power-up the 318 and connect the P6107 External Clock probe tip to TEST OUTPUT-C on the right side panel. Refer to Figure 5-9.
- b. Connect the data leads of the P6451 Parallel Data probe in Pod A to TEST OUTPUT as follows:

P6451 Channel	TEST OUTPUT
G	G
0	0
1	1
2	2
3	3
4	4
5	5
6	6
7	7
Q	Not Connected

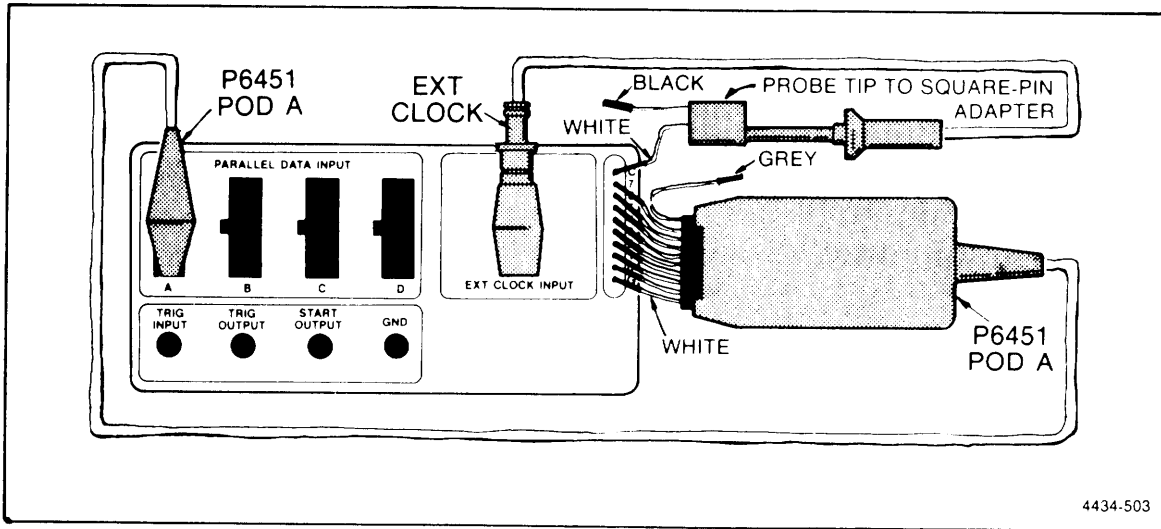


Figure 5-9. 318 Parallel data acquisition check setup.

c. Power up the 318 and set up as follows:

SETUP MENU

PLR			
GROUP	G1	ON =	AAAAAAAA
			76543210
	G2	OFF	

THRESHOLD MENU

LEVEL	V1 =	+ 1.3V
	V2 =	-1.3V
INPUT		
	EXT CLK =	TTL
	POD A =	TTL
	POD B =	TTL

TRIGGER MENU

Source	INT TRIG
CLK	EXTT
TRIG	IMMEDIATELY
POSN	DELAY
	00124
Events	00064'WA FLW'D BY:WB RESET ON:WC
WA =	XXXXXX11 <small>binary</small>
WB =	10000001 <small>binary (81_{hex})</small>
WC =	10000000 <small>binary (80_{hex})</small>
GLITCH	76543210
POD A	OFF
POD B	OFF

QUALIFIERS (POD)
A OFF B OFF

2. Pod A

- a. Press the START key.
- b. Check that the data acquired for Pod A is a decrementing pattern from FF_{hex} to 00_{hex} starting at position 0, and that the Trigger Word (indicated by T) is 81_{hex}, at position 126.

3. Pod B

- a. Disconnect the 10-terminal plug from the probe head of the P6451 Parallel Data probe in Pod A.
- b. Push that 10-terminal plug into the socket on the probe head of the P6451 Parallel Data probe in Pod B.
- c. Set G1 to OFF and G2 to ON for B7-BO.
- d. Set CLK to EXT ↓.
- e. Set Trigger Words as follows:

WA	XXXXXX 1 b
WB	10000001 b (81 _{hex})
WC	10000000b (80 _{hex})

- f. Press the START key.
- g. Check that the data acquired for Pod B is a decrementing pattern from FF_{hex} to 00_{hex}, starting at position 0, and that the trigger word (indicated by T) is 81_{hex} at position 126.

4. 50 MHz Acquisition

- a. Set CLK to 20 ns and POSN to DELAY 00250.
- b. Set Trigger: 9 * WA OFF:WB OFF:WC
- c. Set Trigger Word WA to FF_{hex}.
- d. Press the START key.
- e. Check that data acquired for Pod B are all FF_{hex}.

5. EXT TRIGGER Check

- a. Refer to Figure 5-10. Connect the data leads of the P6451 Parallel Data probe in Pod A to TEST OUTPUT as follows:

P6451 Channel	TEST OUTPUT
G	G
0	0
1	1
2	2
3	3
4	4
5	5
6	6
7	See Text
Q	Not Connected

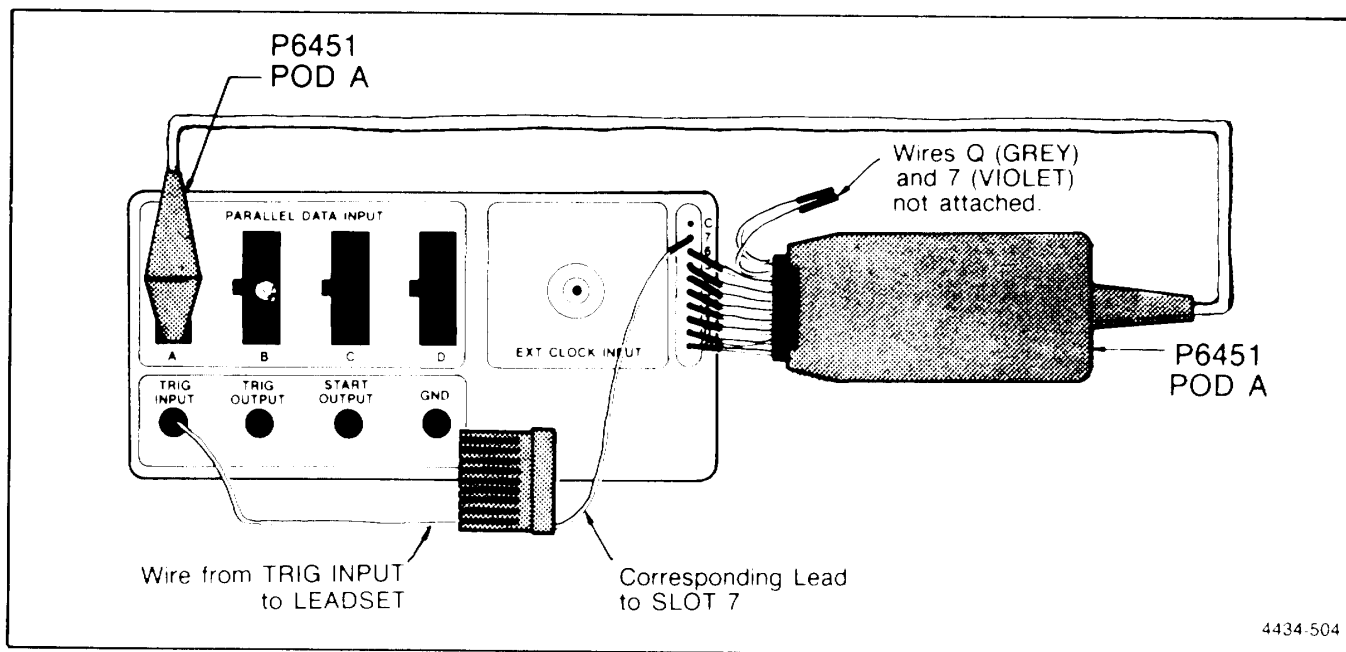


Figure 5-10. 318 External trigger check setup.

- b. Connect TRIG INPUT, on the right side panel, to TEST OUTPUT-7.

c. Setup the 318 as follows:

SETUP MENU

PLR				
GROUP	G1	ON	AAAAA, 765413210	
	G2	OFF		

THRESHOLD MENU

LEVEL	V1	+1 3V
	V2	-1 3V
INPUT	EXT CLK=	TTL
	POD A=	TTL
	POD B=	TTL

TRIGGER MENU

Source	EXT TRIG
CLK	10- μ S
TRIG	IMMEDIATELY
POSN	DELAY
	00250
EXT TRIG POL= \uparrow	
QUALIFIERS (POD)	
A OFF B OFF	

- d. Press the START key.
- e. Check that all data acquired for Pod A is a repetitive decrementing pattern from $7F_{hex}$ to 00_{hex} and that the trigger word (indicated by T) is 7F at position 0 with $\langle T = 0 \blacklozenge \rangle$ showing in the lower right corner of the display.
- f. Set EXT TRIG POL to \downarrow .
- g. Press the START key.
- h. Check that all the data acquired for Pod A is a repetitive decrementing pattern from $7F_{hex}$ to 00_{hex} and that the Trigger Word (indicated by -T) is 7F at position 0, with $\langle T = 0 \blacklozenge \rangle$ showing in the lower-right corner of the display

6. Trigger Qualifier Check

a. Refer to Figure 5-11. Connect the data leads of the P6451 Parallel Data probe in Pod B to TEST OUTPUT as follows:

P6451 Channel	TEST OUTPUT
G	G
0	0
1	1
2	2
3	3
4	4
5	5
6	Not Connected
7	Not Connected
Q	See Text

b. Ground all the qualifier and ground leads of the P6451 Parallel Data probes in both Pod A and Pod B.

c. Set up the 318 as follows:

SETUP MENU

PLR			
GROUP	G1	OFF	
	G2	ON =	BBBBBB
			543210

THRESHOLD MENU

LEVEL	V1 =	+ 1.3V
	V2 =	-1.3V
INPUT		
	EXT CLK =	TTL
	POD A =	TTL
	POD B =	TTL

TRIGGER MENU

Source	INT TRIG
CLK	10,μS
TRIG	IMMEDIATELY
POSN	DELAY
	00189
Events	00016*WA FLW'D BY:WB RESET ON:WC
WA =	XXXXXX11 <i>binary</i>
WB =	00000010 <i>binary</i> (02hex)
WC =	00000000 <i>binary</i> (00ex)
GLITCH	76543210
POD A	OFF
POD B	OFF
QUALIFIERS (POD)	
ATRQ=H B'TRG=H	

- d. Press the START key.
- e. Check to make sure the 318 is never triggered.
- f. Press the STOP key.
- g. Connect the qualifier lead of the P6451 Parallel Data probe in Pod A to TEST OUTPUT-7 and the qualifier tip of the P6451 probe in Pod B to TEST OUTPUT-6.
- h. Press the START key and wait for the acquisition to be completed.
- i. Check that the data acquired for Pod B is a repetitive decrementing pattern from 3F_{hex}, to 00x starting at position 0, and that the Trigger Word (indicated by T) is 02_{hex} at position 61.
- j. Set QUALIFIER Pod A and Pod B to TRG-L.
- k. Press the START key and wait for the acquisition to be completed.
- l. Check that the data acquired for Pod B is a repetitive decrementing pattern from 3F_{hex} to 00_{hex}, starting at position 0, and Trigger Word (indicated by T) is 02_{hex} at position 61.

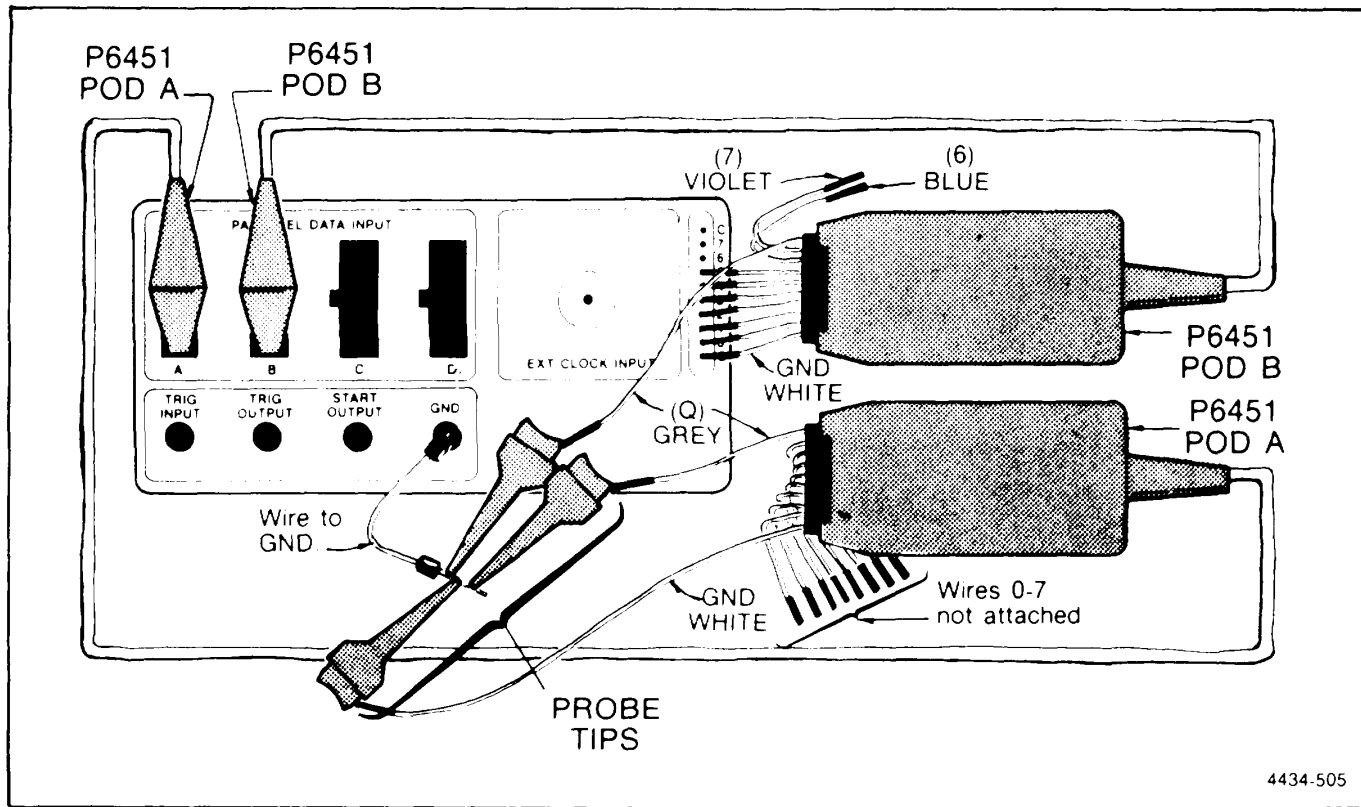


Figure 5-11. 318 Trigger qualifier check setup.

7. Clock Qualifier Check

Setup

- a. Connect the data leads of the P6451 Parallel Data probe in Pod A to TEST OUTPUT as follows:

P6451 Channel	TEST OUTPUT
G	G
0	Not Connected
1	1
2	2
3	3
4	4
5	5
6	6
7	7
Q	0

- b. Connect the qualifier lead of the P6451 Parallel Data probe in Pod A to TEST OUTPUT-0.

2. Pod A

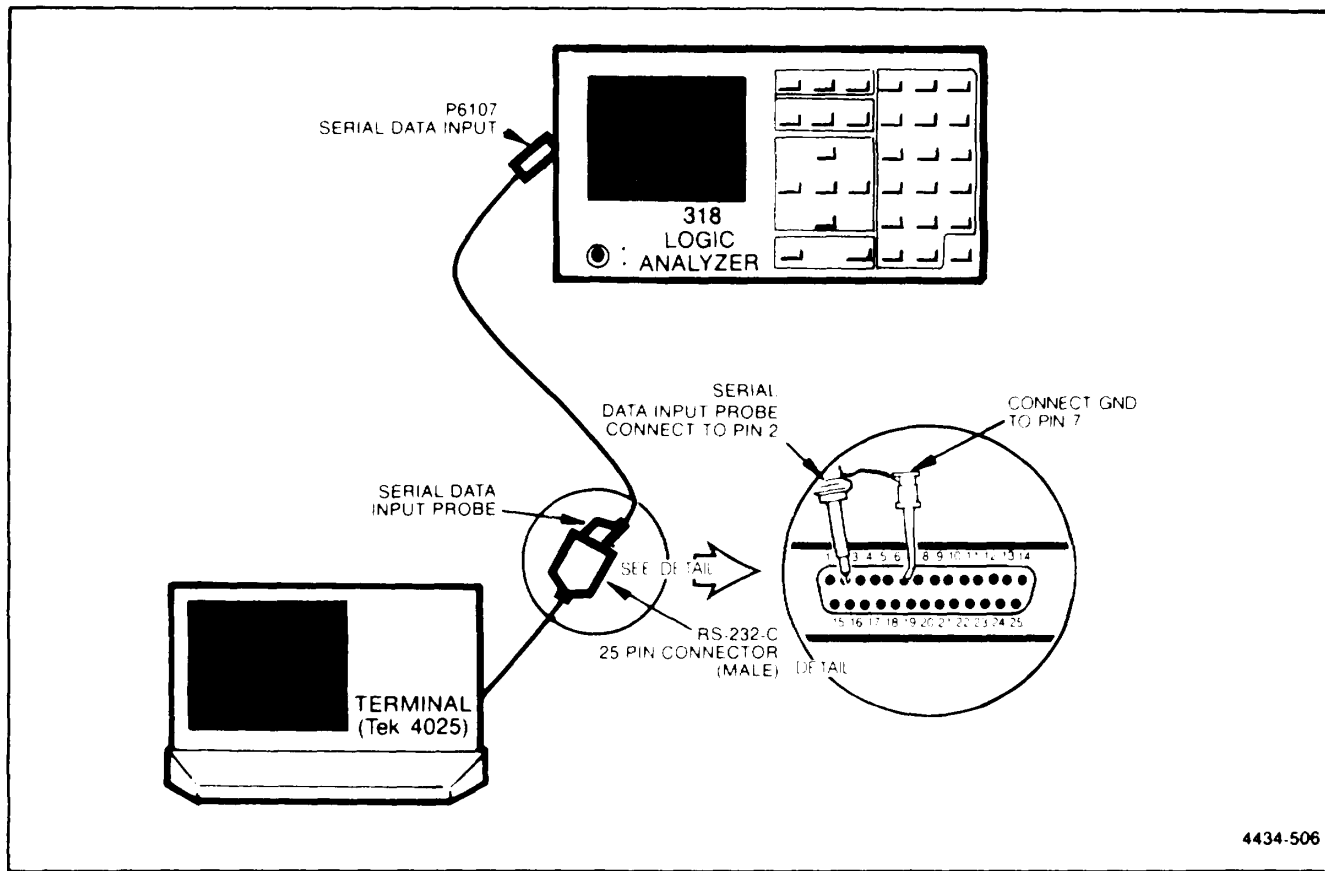
- a. Press the START key and wait for the acquisition to be completed.
- b. Check that all the data for Pod A is displayed in inverse video in the GLITCH SEARCH mode, and that <T = 0 ♦> is showing in the lower-right corner of the screen.
- c. De-select Trigger Glitch A7.
- d. Repeat steps (a) through (c) for each of the remaining channels, A6 through A0. Glitch Triggering must be checked one channel at a time for the test to be valid.

3. Pod B

- a. Disconnect the 10-terminal plug from the probe head of the P6451 Parallel Data probe in Pod A.
- b. Push the 10-terminal plug into the socket on the probe head of the P6451 Parallel Data probe in Pod B.
- c. Set G1 to OFF and G2 to ON for B7 - B0.
- d. Set GLITCH Pod A to OFF and Pod B to ON for B7.
- e. Press the START key and wait for the acquisition to be completed.
- f. Check that all the data for Pod B is displayed in inverse video in the GLITCH SEARCH mode, and that <T = 0 ♦> appears in the lower-right corner of the screen.
- g. Repeat procedures (e) through (f) for channels B6 through B0 of the Pod B GLITCH Trigger. Glitch Triggering must be checked one channel at a time for the test to be valid.

CHECK 7. SERIAL STATE ANALYZER CHECK FOR THE 318S1**1. Serial Data Acquisition**

- a. Connect the test setup as shown in Figure 5-12.
- b. Set the terminal character format to 8 bits per character.
- c. Set the 318 POWER switch to ON and press the SETUP key after the diagnostic program has run.
- d. Set the major mode to SERIAL and press the EXECUTE key.
- e. Set the baud rate and parity to match that of the terminal. Press the THRESHOLD Menu key.
- f. Set the data threshold to 0.00 V. Press the TRIGGER Menu key.
- g. Set the trigger mode to IMMEDIATELY. Press the DATA key.
- h. Press the START key.
- i. Press the A key on the terminal keyboard 10 times.
- j. Press the STOP key.
- k. Check that the acquired data equals 10 bytes of ASCII A on the screen.



4434-506

Figure 5-12. 318 Setup for serial data analysis.

2. Remote Control Operation

- a. Connect the test setup as shown in Figure 5-13.
- b. Set the terminal character format to 8 bits per character, even parity, (on the 4025, type *!parity even*) and set the echo mode to remote.
- c. Set the POWER switch to ON and press the SETUP key after the diagnostic program has run.
- d. Set the source mode to RMT, then press the EXECUTE key.
- e. Set the RS-232 baud rate to match that of the terminal.
- f. Press the START key.
- g. Key in the IDENT command from the terminal and wait for prompt.
- h. Key in the REF? command from the terminal and wait for a prompt.
- i. Check that the reference data matches all 0's on the terminal output.
- k. Press the STOP key to end remote control operation.

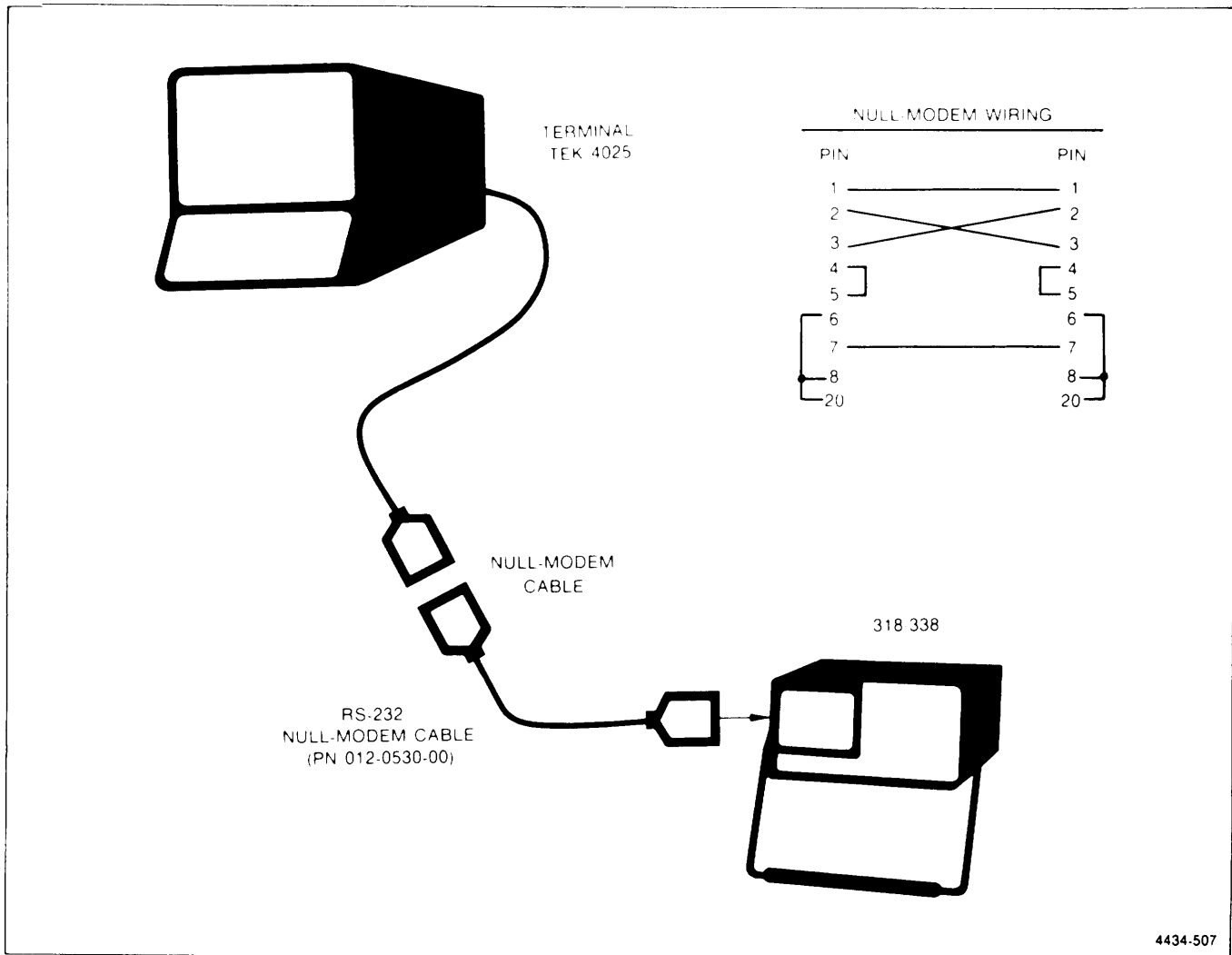


Figure 5-13. 318 Setup for RS-232C control.

ADJUSTMENT PROCEDURES FOR THE 318

INTRODUCTION

The following pages contains the Adjustment Procedures for the 318 Logic Analyzer. Information on the 338 Logic Analyzer is located later in Section 5; refer to the page-edge tabs for help in locating 338 information.

The following pages contain procedures for adjusting instrument variables so that the instrument meets or exceeds performance specifications. If the product cannot be made to meet or exceed specifications by following these procedures, repair is necessary.

IMPORTANT-PLEASE READ BEFORE USING THIS PROCEDURE

PURPOSE

The Adjustment Procedure provides a sequence for adjustments. It is not a troubleshooting guide or a verification procedure. The Adjustment Procedure is divided into sub-sections that describe adjustments for one particular board or set of boards in the 318.

LIMITS AND TOLERANCES

All limits and tolerances given in this procedure are adjustment guides. They should not be interpreted as instrument specifications unless they are also found in the *Specifications* part of this manual.

Tolerances given are for the instrument under test and do not include test equipment error.

EQUIPMENT REQUIRED

The equipment listed at the beginning of this *Adjustment and Verification Procedures* section in Table 5-1 is necessary to complete all the adjustment procedures. A partial list of equipment needed for each individual check and adjustment is also shown at the beginning of each procedure's major step. The equipment specifications given in Table 5-2 are the minimum necessary to produce accurate results. Therefore, equipment substitution must meet or exceed the listed specifications. Detailed instructions for operating the test equipment are not offered in this manual. Refer to the manual for the specific test equipment if more information is required.

EQUIPMENT ALTERNATIVES

When equipment other than recommended test equipment is substituted, control settings or adjustment setups may need to be altered. If the exact equipment listed in Table 5-1 is not available, check the Minimum Specification column in Table 5-2 carefully to see if any other equipment will suffice.

ADJUSTMENT INTERVAL

To ensure correct instrument operation, adjustment should be checked every 1000 hours of operation or every six months if used infrequently. Before performing the adjustment procedures, perform preventive maintenance as outlined in *Section 6:Maintenance*.

TEST SEQUENCE

NOTE

These adjustment procedures assume prior knowledge of some aspects of disassembly of the 318. If further information is required, refer to the disassembly procedures in Section 6: General Maintenance.

It is necessary to perform the following sequence step by step, because all timings in the 318 are level-sensitive.

INDEX OF ADJUSTMENT STEPS

Mainframe

1. Power Supplies
2. CRT Circuit
3. Threshold Voltages on the A05 ROM Board

Parallel Analyzer

4. Threshold Voltages on the A02 INPUT-B Board
5. Probe Compensation for the P6107 External Clock Probe
6. EXT CLK T and EXT CLK ↓ Delay
7. DLD CLK Delay
8. RET CLK, WE, ADRS CLK, and TRIG CLK Delay and Width

Serial State Analyzer (318S1)

9. Threshold Voltages on the A07 Board
10. Input Capacitance and Serial Data Probe Compensation (40 pf)
11. Non-volatile Memory Battery Backup Threshold

MAINFRAME

1. Adjust Power Supplies

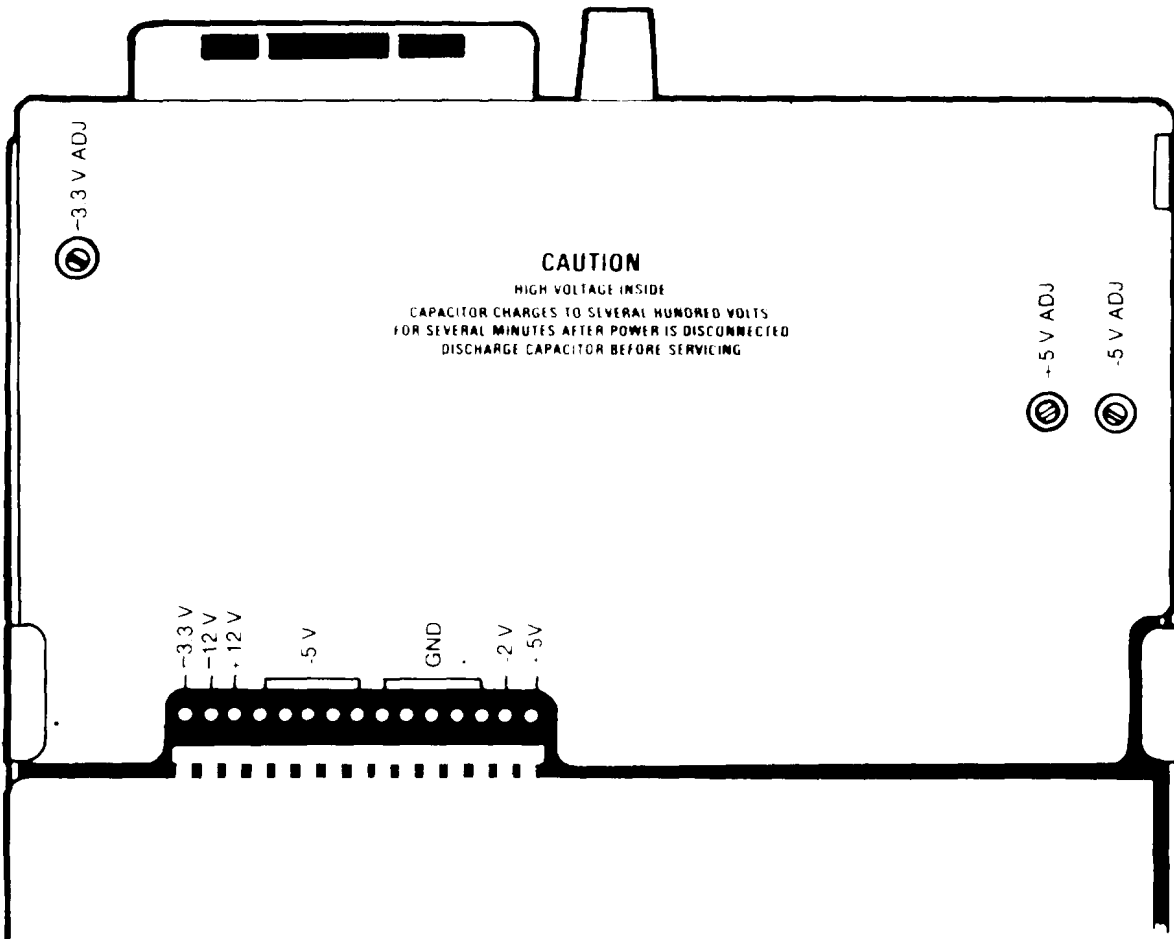
Equipment Required

- | |
|----------------------------|
| 1 Digital Multimeter (DMM) |
|----------------------------|

- a. Refer to Figure 5-14. Remove the 318's wrap-around cover.
- b. Connect P6451 Parallel Data Probes to Inputs A and B.
- c. Set the DMM to measure dc voltage.
- d. Connect the DMM minus (-) lead to J1 pin 11 (GND) on the A12 REGULATOR board. (See the bottom of the power supply chassis.)

Verification and Adjustment Procedures-318/338 Service

- e. Connect the DMM plus (+) lead to each point, starting at -5 V shown in Table 5-3. (Set the DMM range as required.)
- f. Adjust the corresponding potentiometer on the A12 REGULATOR board to set the voltage level within the limits given in Table 5-3.
- g. Move the DMM plus (+) lead to each point shown in Table 5-4. (Set the DMM range as required.)
- h. Check that the DMM readings are within the limits given in Table 5-4.



4434-584

Figure 5-14. 318 Power supply adjustments.

Table 5-3.
318 ADJUSTABLE POWER SUPPLY TOLERANCES

Pin Voltage	Voltage Limits	Potentiometer
each --5 V pin	-4.95 V to -5.05 V	R18 (labeled -5 V)
+ 5 V pin	+4.95 V to +5.05 V	R11 (labeled +5 V)
-3.3 V pin	-3.25 V to -3.35 V	R72 (labeled -3.3 V)

Table 5-4.
318 NON-ADJUSTABLE POWER SUPPLY TOLERANCES

J1 Pin Number	Voltage Limits
-12 V pin	-11.0 V to -13.0 V
+12 V pin	+11.0 V to +13.0 V
-2 V pin	-1.80 V to -2.20 V

2. Adjust CRT Circuit

Equipment Required

None

- a. Run the diagnostic program 1 CRT to generate a cross-hatch pattern. (To enter the diagnostic program, turn on the power switch while depressing any numeric key until the display appears.)
- b. Refer to Figure 5-15. Adjust INTENSITY control R245 on the A10 CRT board to midrange.
- c. Adjust INTENSITY LIMIT (CRT BIAS) R247 on the A10 CRT board for normal intensity.
- d. Press the start key to display a horizontal line.
- e. Loosen the setting screw of L150 (yoke coil).
- f. Rotate the L150 so that the displayed white stripe is parallel to the bezel window.
- g. Tighten the setting screw of L150.
- h. Adjust MAGNET on L150 on the CRT ring to orient the display at approximately the center of the CRT.
- i. Adjust V-SIZE R015 on the A10 CRT board for vertical display size of about 2 mm less than the CRT display.
- j. Adjust V-LINEARITY R031 on the A10 CRT board for optimum display.

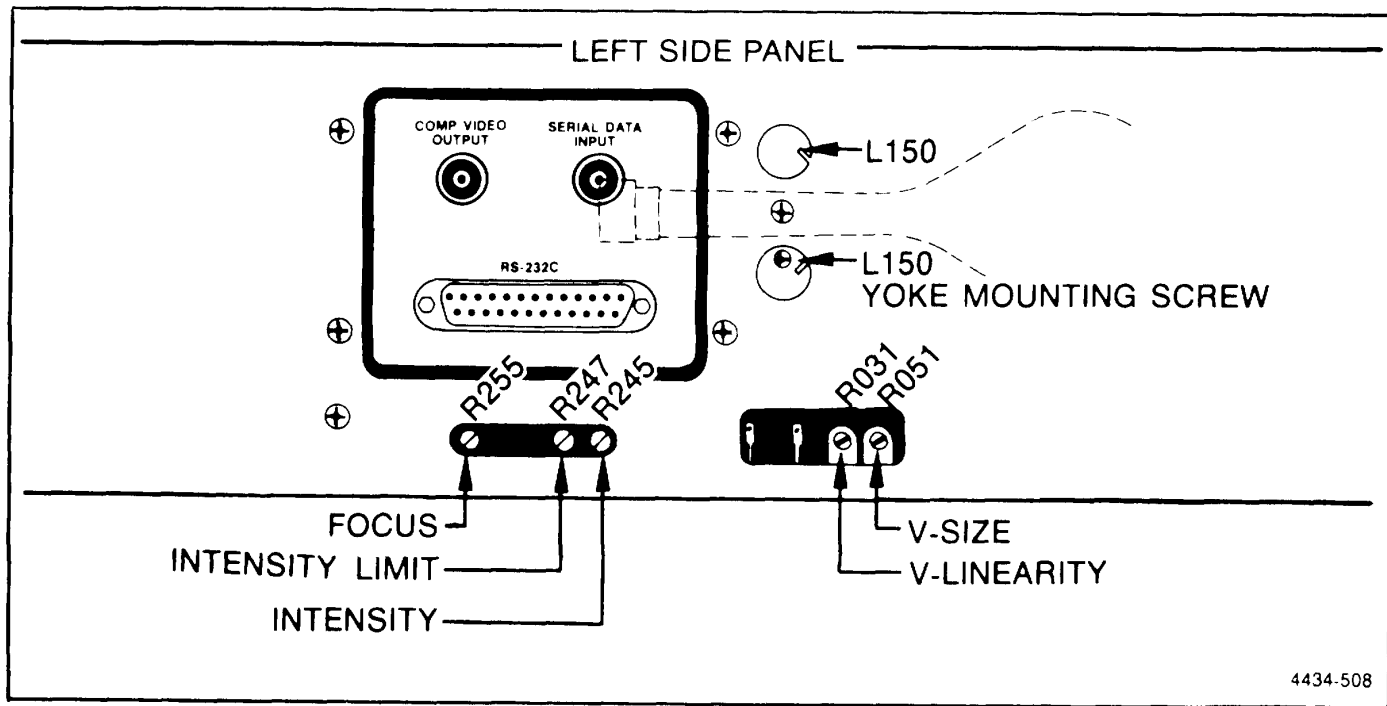


Figure 5-15. 318 CRT adjustments.

3. Adjust Threshold Voltages on the A05 ROM board

Equipment Required

- | |
|----------------------------|
| 1 Digital Multimeter (DMM) |
|----------------------------|

Refer to: Figure 5-16.

a. Reference Voltage Adjustment

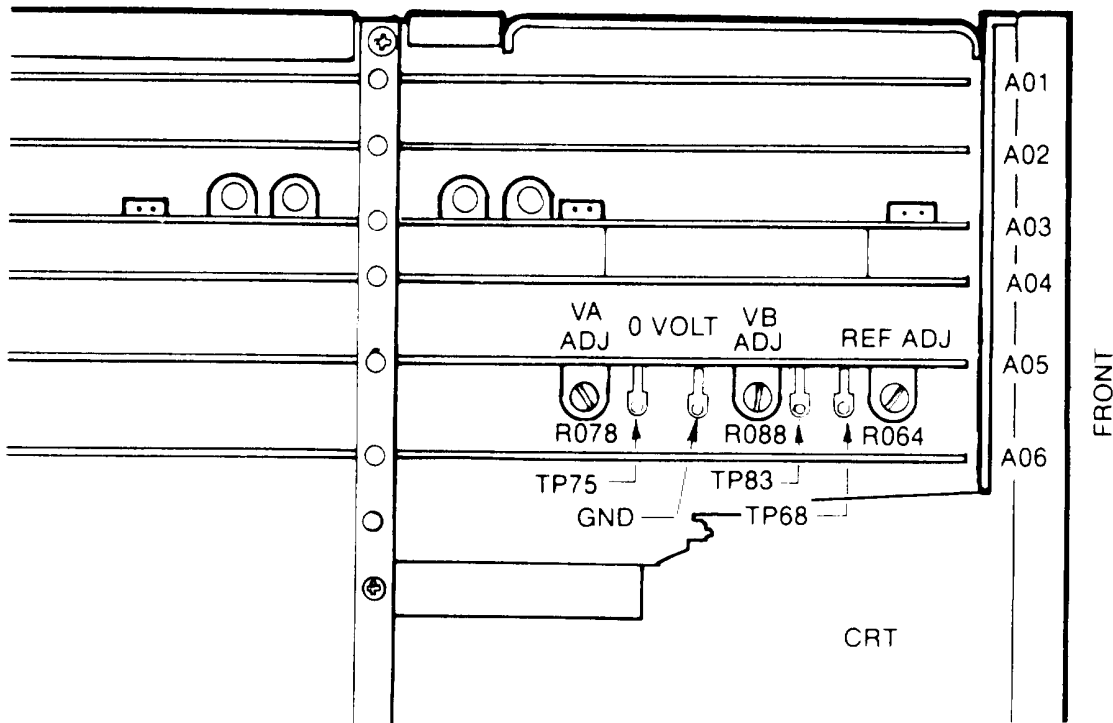
- (1) Connect the P6451 probes to PARALLEL DATA INPUTS A and B.
- (2) Set the DMM range to measure about 5 V dc.
- (3) Connect the DMM minus (-) lead to the GND test point on the A05 ROM board.
- (4) Connect the DMM plus (+) lead to TP64 (REF) on the A05 ROM board.
- (5) Adjust REF ADJ R064 on the A05 ROM board for a voltage indication of 3.200 ± 0.010 V.

b. Threshold VA 0-VOLT Adjustment

- (1) Set Threshold LEVEL V1 to 0.0.
- (2) Press the START key.
- (3) Move the DMM plus (+) lead to TP78 (V1/4) on the A05 ROM board.
- (4) Adjust VA 0-VOLT ADJ R078 on the A05 ROM board for a DMM indication of 0.000 ± 0.010 V.
- (5) Press the STOP key.
- (6) Set Threshold LEVEL V1 to + 10.0 V.
- (7) Press the START key.
- (8) Check that the DMM reading is $+2.500 \pm 0.010$ V.
- (9) Press the STOP key.
- (10) Set Threshold LEVEL V1 to -10.0 V.
- (11) Press the START key.
- (12) Check that the DMM reading is -2.500 ± 0.010 V.
- (13) Press the STOP key.

c. Threshold VB 0-VOLT Adjustment

- (1) Set Threshold LEVEL V2 to 0.0.
- (2) Press the START key.
- (3) Move the DMM plus (+) lead to TP88 (V2/4) on the A05 ROM board.
- (4) Adjust VB 0-VOLT ADJ R088 on the A05 ROM board for a DMM indication of 0.000 ± 0.010 V.
- (5) Press the STOP key.
- (6) Set Threshold LEVEL V2 to + 10.0 V.
- (7) Press the START key.
- (8) Check the DMM reading is $+2.500 \pm 0.010$ V.
- (9) Press the STOP key.
- (10) Set Threshold LEVEL V2 to -10.0 V.
- (11) Press the START key.
- (12) Check the DMM reading is -2.500 ± 0.010 V.
- (13) Press the STOP key.



4434-586

Figure 5-16. 318 Threshold voltage adjustments on the the ROM board (A05).

PARALLEL ANALYZER

4. Adjust Threshold Voltages on the A02 INPUT-B board

Equipment Required

- 1 Regulated DC Power Supply
- 1 Digital Multimeter (DMM)
- 1 Oscilloscope

Refer to Figure 5-17.

A. EXT CLK Threshold Adjustment

1. Setup

- a. Connect the oscilloscope channel 1 probe tip to TP108 on the A01 INPUT-A board.
- b. Set the oscilloscope triggering source to channel 1 and the sweep rate to 1 us/div.
- c. Enter the Threshold menu and set EXT CLK input to V1.
- d. Set CLK to EXT+.
- e. Select the TRIGGER Menu and set the events field: 0000*WA OFF:WB OFF:WC. This will cause the 318 to acquire data without triggering.

2. DC Balance

- a. Ground the P6107 External Clock probe tip.
- b. Enter the Threshold menu and set Threshold LEVEL V1 to 0.0.
- c. Press the START key.
- d. Turn EXT CLK DC BALANCE R234 on the A02 INPUT-B board to the counterclockwise end.
- e. Turn R234 clockwise slowly while observing the oscilloscope waveform and mark the point where the waveform moves from stationary-low level to stationary-high level.
- f. Then turn R234 to the clockwise end.
- g. Turn R234 counterclockwise slowly while observing the oscilloscope waveform and mark the point where the waveform moves from stationary-high level to stationary-low level.
- h. Adjust R234 to the center position between the points marked by procedures (e) and (g).
- i. Press the STOP key.

3. DC Gain

- a. Connect the P6107 External Clock probe ground clip to the power supply common terminal.
- b. Connect the P6107 External Clock probe tip to the power supply plus (+) terminal.
- c. Connect the DVM leads to the power supply terminals (low to common, high to +).
- d. Adjust the regulated dc power supply output voltage to +10.00 V.
- e. Set Threshold LEVEL V1 to +10.0 V.
- f. Press the START key.
- g. Turn EXT CLK DC GAIN R239 on the A02 INPUT-B board to the counterclockwise end.
- h. Turn R239 clockwise slowly while observing the oscilloscope waveform and mark the point where the waveform moves from stationary-low level to stationary-high level.
- i. Turn R239 to the clockwise end.
- j. Turn R239 counterclockwise slowly while observing the oscilloscope waveform and mark the point where the waveform moves from stationary-low level to stationary-high level.
- k. Adjust R239 to the center position between the points marked by procedures (h) and (j).
- l. Press the STOP key.

B. DATA Threshold DC Balance Adjustment

1. Setup

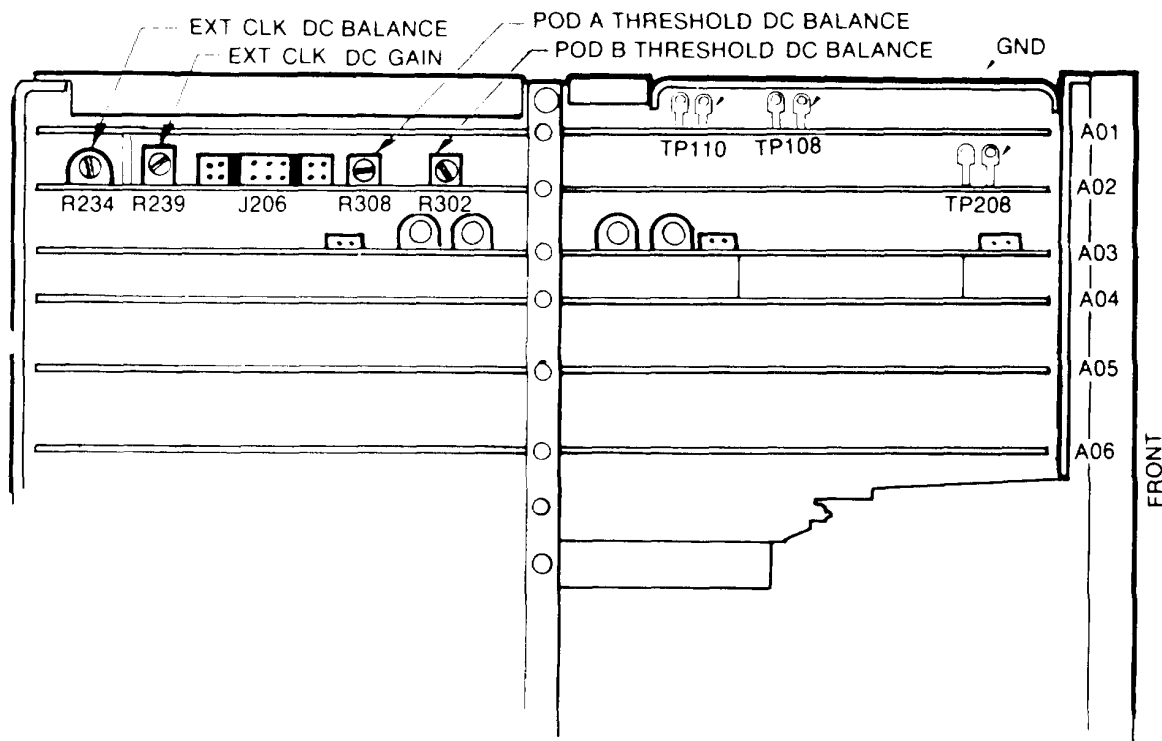
- a. Ground all the leads of the P6451 Parallel Data probes in both POD A and POD B.
- b. Set the oscilloscope triggering source to channel 1 and the sweep rate to 1 μ s/div.
- c. Set Threshold LEVEL V1 = 0.0 V.
- d. Select Threshold for POD A = V1, and POD B = V1.
- e. Set CLK to EXTT.
- f. Select the TRIGGER Menu and set the events field: 00000*WA OFF:WB OFF:WC. This will cause the 318 to acquire data without triggering.

2. Pod-A

- a. Connect the oscilloscope channel 1 probe lead to TP110 on the A01 INPUT-A board.
- b. Press the START key.
- c. Turn POD A Threshold DC BALANCE R308 on the A02 INPUT-B board to the counter-clockwise end.
- d. Turn R308 clockwise slowly while observing the oscilloscope waveform and mark the point where the waveform moves from stationary low level to stationary high level.
- e. Turn R308 to the clockwise end.
- f. Turn R308 counterclockwise slowly while observing the oscilloscope waveform and mark the point where the waveform moves from stationary-high level to stationary-low level.
- g. Adjust R308 to the center position between the points marked by procedures (d) and (f).
- h. Press the STOP key.

3. Pod-B

- a. Connect the oscilloscope channel 1 probe lead to TP208 on the A02 INPUT-B board.
- b. Press the START key.
- c. Turn POD B Threshold DC BALANCE R302 on the A02 INPUT-B board to the counter-clockwise end.
- d. Turn R302 clockwise slowly while observing the oscilloscope waveform and mark the point where the waveform moves from stationary-low level to stationary-high level.
- e. Turn R302 to the clockwise end.
- f. Turn R302 counterclockwise slowly while observing the oscilloscope waveform and mark the point where the waveform moves from stationary-high level to stationary-low level.
- g. Adjust R302 to the center position between the points marked in procedures (d) and (f).
- h. Press the STOP key.



4434-587

Figure 5-17. 318 Threshold voltage adjustments on the INPUT-B board (A02).

5. Probe Compensation for the P6107 External Clock Probe

Equipment Required

None

If you are using a standard 318 Logic Analyzer you will have one P6107 probe labeled External Clock Probe. This probe needs to be compensated to 20 pF according to the procedure described in Section 3: *Operating Instructions*. See the *Probe Compensation* paragraph in the Diagnostic Test Descriptions.

Two nearly identical P6107 probes are supplied with the 318S1 Logic Analyzers; one is the External Clock Probe, and the other is the Serial Data Acquisition Probe. If the probes were supplied as original equipment, they will be labeled as either EXT CLOCK, or SERIAL DATA with a sticker on the compensation box. The External Clock Probe is compensated to 20 pF, and the Serial Data Acquisition Probe is compensated to 40 pF.

If you have purchased replacement probes, or if you are adding the 318F1/338F1 Serial Analysis/RS-232C/NVM upgrade kit to a standard 318, you need to choose which probe will be the External Clock Probe and adjust the compensation accordingly. Probes supplied from the factory are compensated to 40 pF.

The P6107 Serial Data Acquisition Probe has been factory compensated (40 pF) and sealed with a CALIB. sticker. Recompensation must be performed by qualified service personnel only. It is not necessary to compensate this probe. We recommend that you install the colored marker band (supplied) on the probe for identification purposes.

If the P6107 External Clock Probe is a replacement the compensation must be altered. Remove and discard the CALIB. sticker. Then perform the probe compensation procedure described in the *Operating Instructions* section (section 3) of this manual. (See Probe Compensation under Diagnostic Test Descriptions.) We recommend that you install the colored marker band (supplied) on the probe to help in identification.

6. Adjust EXT CLK ↑ and EXT CLK ↓ Delay

Equipment Required

1. Oscilloscope Tektronix 7904 with plug in units 7A26, 7B80, and 7B85.
1. Pulse Generator Tektronix PG502
1. BNC 50 Ω termination
1. BNC T-connector
2. BNC male to Probe tip Adapters
1. 2 SQR-pin to Probe tip Adapter

Figure 5-18. shows the test equipment setup for the Clock Delay adjustment.

Refer to Figures 5-18 and 5-19.

A. Oscilloscope Setup

1. Install the modules into the 7904 oscilloscope main frame; 7A26 amplifier in the left vertical slot, 7B85 time base in Horizontal slot A and 7B80 time base in Horizontal slot B.
2. Connect a 50 Ω terminator to the pulse generator OUTPUT. Connect a BNC T-connector to the 50 Ω terminator. Connect the CH1 oscilloscope probe to one side of the BNC T-connector.
3. Connect the P6107 External Clock probe tip to the other side of the BNC T-connector.
4. Setup the oscilloscope as follows:

7904 Mainframe	Horizontal Mode B	
7A26	Position	Rising edge at center screen
Channel 1	VOLTS/DIV	20 mv (200 mV with 10X probe)
	Trigger Source	CH 1
	Display Mode	ALT
	Position	0 v at mid screen
Channel 2	VOLTS/DIV	50 mV (500 mV with 10X probe)
	Position	0 v 2.4 divisions above midscreen (-1.4 V at midscreen)
7B85	Slope	+
	Triggering	Mode Coupling Source Auto AC INT
	Magnification	1 X
	Hold Off	at minimum
	B Delay Mode	B Starts after DLY
	Time/DIV	50 ns (5 ns with magnification)
	Trace Sep	On, minimum
	Δ Time	zero
7B80	slope	+
	Triggering	Mode Coupling Source Auto AC INT
	Position	rising edge at center screen
	Hold Off	at minimum
	Time/Div	10 ns (1 ns with magnification)

5. Set the pulse generator as follows:

Termination	BACK TERM (pull switch out)
Period	0.1 μs
Duration	10 ns (5 ns X 2)
High level	+0.35 V
Low level	- 0.35 V

6. Select the A timebase and place the rising edge of the channel 1 waveform on the center graticule on the oscilloscope screen.
7. Select the B timebase.
8. Connect the oscilloscope channel 2 probe tip to TP108 on the A01 INPUT-A board.
9. Enter the Threshold menu and set EXT CLK to V3 (0.00V).
10. Select the TRIGGER Menu and set the events field to: 00000*WA OFF:WB OFF:WC. This will cause the 318 to acquire data without triggering.

B. EXT ↑.

1. Set CLK to EXT ↑.
2. Press the START key.
3. Turn DELAY TIME of the A timebase to place the rising edge of the channel 1 waveform on the center graticule.
4. Turn Δ-TIME clockwise to obtain a reading of 25.00 ± 0.1 ns.
5. Adjust EXT ↑ DELAY by moving the jumper at J206 (2 to 12) on the A02 INPUT-B board to place the rising edge of the channel 2 waveform within one graticule division of the rising edge of the channel 1 waveform.
6. Press the STOP key.

C. EXT ↓

1. Set CLK to EXT ↓.
2. Press the START key.
3. Turn DELAY TIME of the A timebase to place the falling edge of the channel 1 waveform on the center graticule.
4. Turn Δ-TIME clockwise to obtain a reading of 25.00 ± 0.1 ns.
5. Adjust EXT ↓ DELAY P202 (14 to 24) on the A02 INPUT-B board to place the rising edge of the channel 2 waveform within one graticule division of the falling edge of the channel 1 waveform.
6. Press the STOP key.

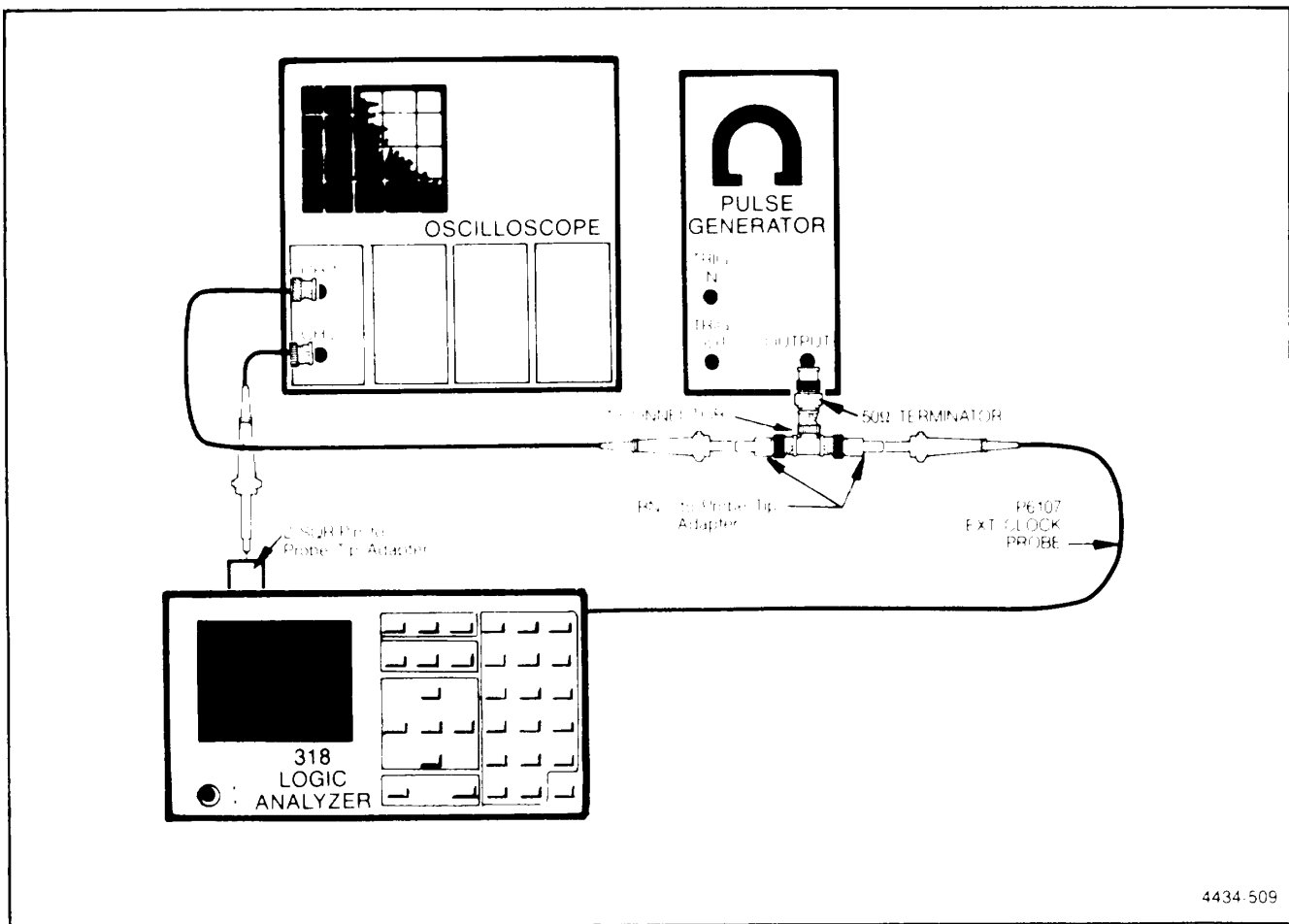


Figure 5-18. 318 Test equipment setup for the Clock Delay adjustment.

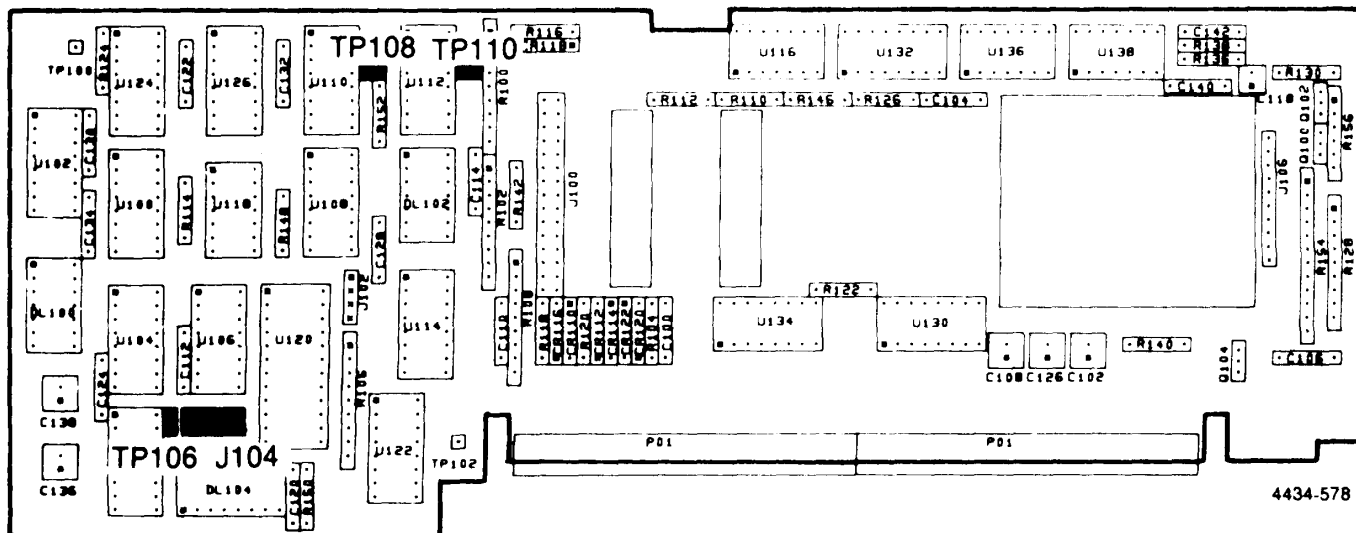


Figure 5-19. 318 EXT CLK and DLD CLK signal adjustment locations.

7. Adjust DLD CLK Delay

Equipment Required

1. Oscilloscope, Tektronix 7904 with plug in units 7A26, 7B80, and 7B85.
1. Pulse Generator
1. BNC 50 Ω termination
1. BNC T-connector
2. BNC male to Probe tip Adapters
1. 2 SQR-pin to Probe tip Adapter

Refer to Figures 5-18 and 5-19.

- a. Install the 7B85 plug-in module into the 7904 A timebase, and install the 7B80 module into the B timebase.
- b. Connect a 50 Ω terminator to the pulse generator OUTPUT. Connect a BNC T-connector to the 50 Ω terminator. Connect the oscilloscope channel 1 probe lead to one side of the BNC T-connector.
- c. Connect the P6107 External Clock probe lead to other side of the BNC T-connector.

d. Setup the oscilloscope as follows:

7904 Mainframe	Horizontal Mode B	
7A26	Position	Rising edge at center screen
Channel 1	VOLTS/DIV	20 mv (200 mv with 10 OX probe)
	Trigger Source	CH 1
	Display Mode	ALT
Channel 2	Position	0 v at mid screen
	VOLTS/DIV	50 mv (500 mv with 10X probe)
	Position	0 v 2.4 divisions above midscreen (-1.4 v at midscreen)
7B85	Slope	+
	Triggering	Mode Coupling Source Auto AC INT
	Magnification	1 X
	Hold Off	at minimum
	B Delay Mode	B Starts after DLY
	Time/DIV	50 ns (5 ns with magnification)
	Trace Sep	On, minimum
	ΔTime	zero
7B80	slope	+
	Triggering	Mode Coupling Source Auto AC INT
	Position	rising edge at center screen
	Hold Off	at minimum
	Δ Time/Div	10 ns (1 ns with magnification)

e. Set the pulse generator as follows:

Termination	BACK TERM (pull switch out)
Period	0.1 μs
Duration	10 ns (5 ns X 2)
High level	+0.35 V
Low level	-0.35 V

- f. Select the A timebase and place the rising edge of the channel 1 waveform on the center graticule on the oscilloscope screen.
- g. Select the B timebase.
- h. Turn DELAY TIME of the A timebase to place the rising edge of the channel 1 waveform on the center graticule.
- i. Connect the oscilloscope channel 2 probe tip to TP106 on the A01 INPUT-A board.
- j. Select the Threshold menu and set INPUT EXT CLK = V3.
- k. Set CLK to EXT ↑.
- l. Select the Trigger menu and set the events field to 00000*WA OFF:WB OFF:WC. This will cause the 318 to acquire data without triggering.
- m. Press the START key.
- n. Turn A-TIME clockwise to obtain a reading of 43.00 ±0.1 ns.
- o. Adjust DLD CLK DELAY by moving the jumper at J104 on the A01 INPUT-A board to place the rising edge of the channel 2 waveform within one graticule division of the rising edge of the channel 1 waveform.
- p. Press the STOP key.

8. Adjust RET CLK, WE , ADRS CLK, and TRIG CLK Delay and Width

Equipment Required

- 1. Oscilloscope, Tektronix 7904 with plug-in modules 7A26, 7B80, and 7B85.
- 1. Pulse Generator
- 1. BNC 50 Ω termination
- 1. BNC T-connector
- 2. BNC male-to-Probe-tip Adapters
- 1. 2 SQR pin-to-Probe-tip Adapter
- 2. Extender Boards
- 2. Board Ejectors

Refer to Figures 5-18 and 5-20.

A. Equipment Setup

1. Install the 7B85 plug-in module into the 7904 timebase A, and install the 7B80 module into timebase B.
2. Connect a 50 Ω terminator to the pulse generator OUTPUT. Connect a BNC T-connector to the 50 Ω terminator. Connect the oscilloscope channel 1 probe tip to one side of the BNC T-connector.
3. Connect the P6107 External Clock probe tip to the other side of the BNC T-connector.
4. Setup the oscilloscope as follows:

Mainframe	Horizontal Mode B	
7A26	Position	Rising edge at center screen
Channel 1	VOLTS/DIV	20 mv (200 mv with 10 OX probe)
	Trigger Source	CH 1
	Display Mode	ALT
Channel 2	Position	0 v at mid screen
	VOLTS/DIV	50 mv (500 mv with 10X probe)
7B85	Position	0 v 2.4 divisions above midscreen (-1.4 v at midscreen)
	Slope	+
	Triggering	Mode Coupling Source Auto AC INT
	Magnification	1X
	Hold Off	at minimum
	B Delay Mode	B Starts after DLY
	Time/DIV	50 ns (5 ns with magnification)
	Trace Sep	On, minimum
	Δ Time	zero
7B80	slope	+
	Triggering	Mode Coupling Source Auto AC INT
	Position	rising edge at center screen
	Hold Off	at minimum
	Time/Div	10 ns (1 ns with magnification)

5. Set the pulse generator as follows:

Termination	BACK TERM (pull switch out)
Period	0.1 μ s
Duration	10 ns (5 ns X 2)
High level	+0.35 V
Low level	-0.35 V

6. Select the A timebase and place the rising edge of the channel 1 waveform on the center graticule on the oscilloscope screen.
7. Select the B timebase.
8. Turn DELAY TIME of the A timebase to place the rising edge of the channel 1 waveform on the center graticule.

B. Strap adjustment with Extender boards (Optional Maintenance Kit Required)

1. Turn off the 318.
2. Remove the A03 ACQ CONTROL board and the A04 ACQ MEMORY board using the Board ejectors.
3. Install Extender boards into the J03 and J04 connectors.
4. Mount the A03 ACQ CONTROL board and the A04 ACQ MEMORY board on the top of the Extender boards.
5. Turn on the 318.
6. Select the Threshold menu and set INPUT EXT CLK = V3 (0.00 V).
7. Set CLK to EXTT.
8. Select the Trigger menu and set the Events field to: 00000*WA OFF:WB OFF:WC. This will cause the 318 to acquire data without triggering.
9. Press the START key.
10. Repeat the following procedures, (11) through (13), to adjust each clock delay with Extender boards shown in Table 5-5.
11. Connect the oscilloscope channel 2 probe tip to the corresponding test point given in Table 5-5.
12. Turn Δ -TIME clockwise to display the clock delay value listed in Table 5-5.
13. Adjust the corresponding jumper to place the rising or falling edge (indicated by \uparrow or \downarrow in Table 5-5) of the channel 2 waveform within one graticule division of the rising edge of the channel 1 waveform.
14. Press the STOP key.
15. Turn off the 318.
16. Dismount the A03 ACQ CONTROL board and the A04 ACQ MEMORY board from the Extender boards.
17. Remove the Extender boards from slots A03 and A04.
18. Install the A03 ACQ CONTROL board and the A04 ACQ MEMORY board into slots A03 and A04 respectively.
19. Turn on the 318.

Table 5-5.
318 CLOCK DELAY WITH EXTENDER

Clock	Signal Edge*	Delay (ns)	Test Point	Adjustable Capacitor
RET CLK	↑	47.60 ± 1.00	TP400 (A03)	J200(A03)
WE	↓	55.40 ± 1.00	TP200-2(A04)	J300(A03)
TRIG CLK	↑	68.10 ± 1.00	TP500 (A03)	J400(A03)

* ↑ means rising edge; ↓ means falling edge

C. Capacitor adjustment

1. Refer to Figures 5-21 and 5-22. Select the Threshold menu and set INPUT EXT CLK = V3 (0.00 v).
2. Select the Trigger menu and set CLK = EXT ↑.
3. Set the Events field to: 00000*WA OFF:WB OFF:WC. This will cause the 318 to acquire data without triggering.
4. Press the START key.
5. Repeat the following procedures, (6) through (f), to adjust each clock delay and/or width shown in Table 5-6.
6. Connect the oscilloscope channel 2 probe tip to the corresponding test point given in Table 5-6.
7. Turn Δ-TIME clockwise to display the clock delay value given in Table 5-6.
8. Adjust the corresponding capacitor to place the rising or falling edge (indicated by ↑ or ↓ in Table 5-6) of the channel 2 waveform within one graticule division of the rising edge of the channel 1 waveform.
9. Press the STOP key.

NOTE

Vertically position signals to center around mid-screen. Delays are measured from threshold to threshold of each circuit.

Table 5-6.
318 CLOCK DELAY WITHOUT EXTENDER

Clock Signal	Edge*	Delay (ns)	Test Point	Adjustable Capacitor
RET CLK	↑	46.60 ± 0.50	TP400 (A03)	C100(A03)
WE	↓	54.40 ± 0.50	TP200-2(A04)	C102(A03)
WE	↑	61.40 ± 0.50	TP200-2(A04)	C106(A03)
ADRS CLK	↑	61.40 ± 0.50	TP200-4(A04)	C104(A03)

* ↑ means rising edge; ↓ means falling edge

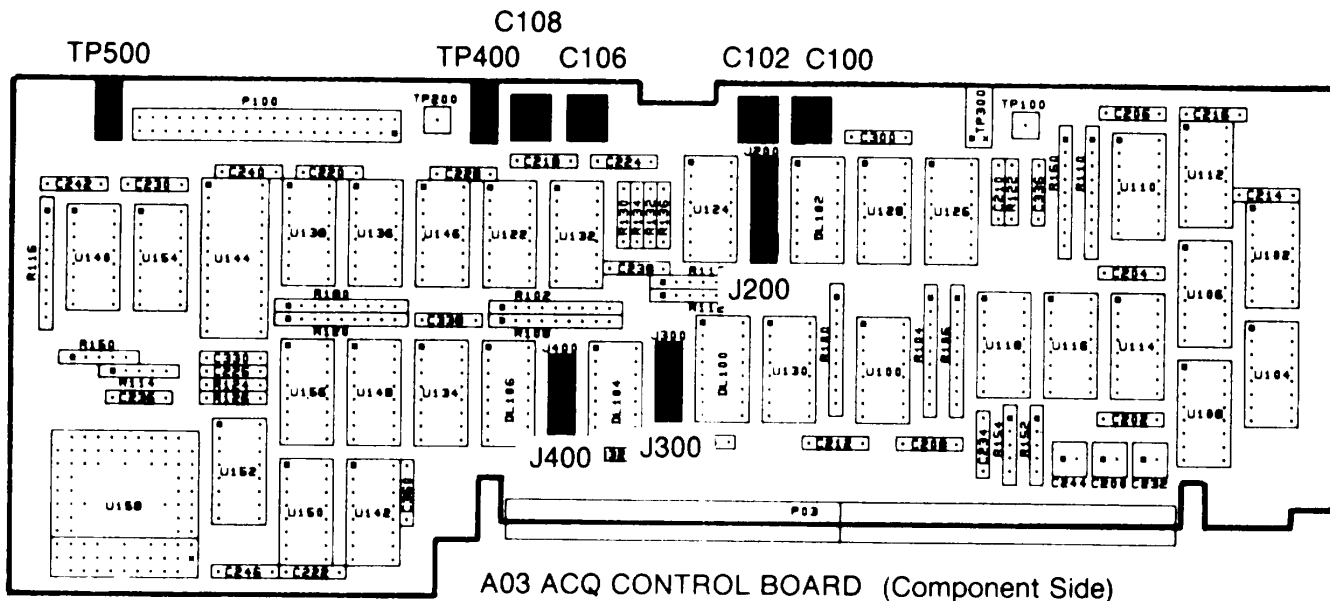
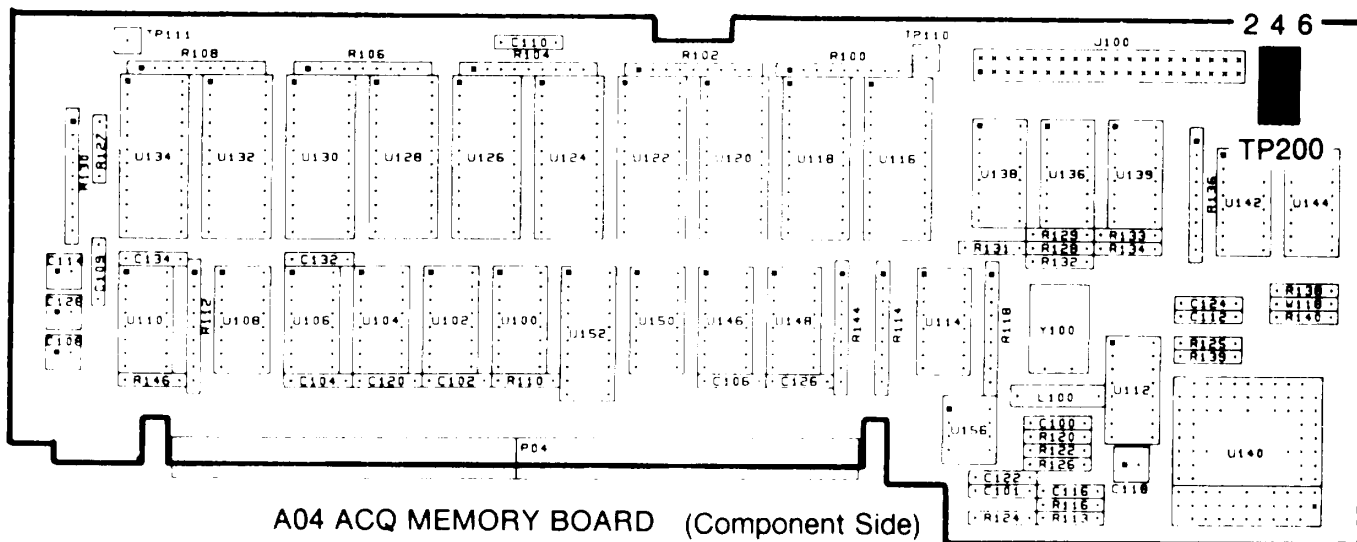


Figure 5-20. 318 RET CLK, WE, ADRS CLK, and TRIG CLK adjustments.



4434-572

Figure 5-20. 318 RET CLK, WE, ADRS CLK, and TRIG CLK adjustment.

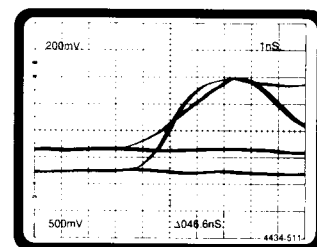
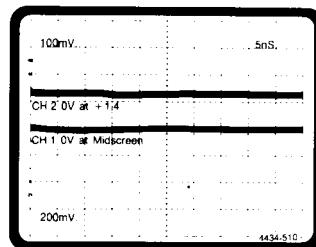
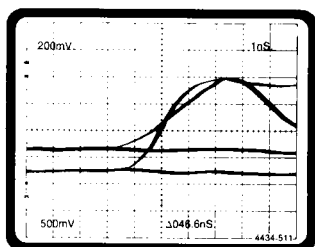
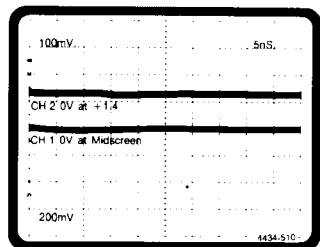


Figure 5-21. 318 Capacitor adjustment oscilloscope

Figure 5-22. 318 Capacitor adjustment waveform. setup waveform.

SERIAL STATE ANALYZER

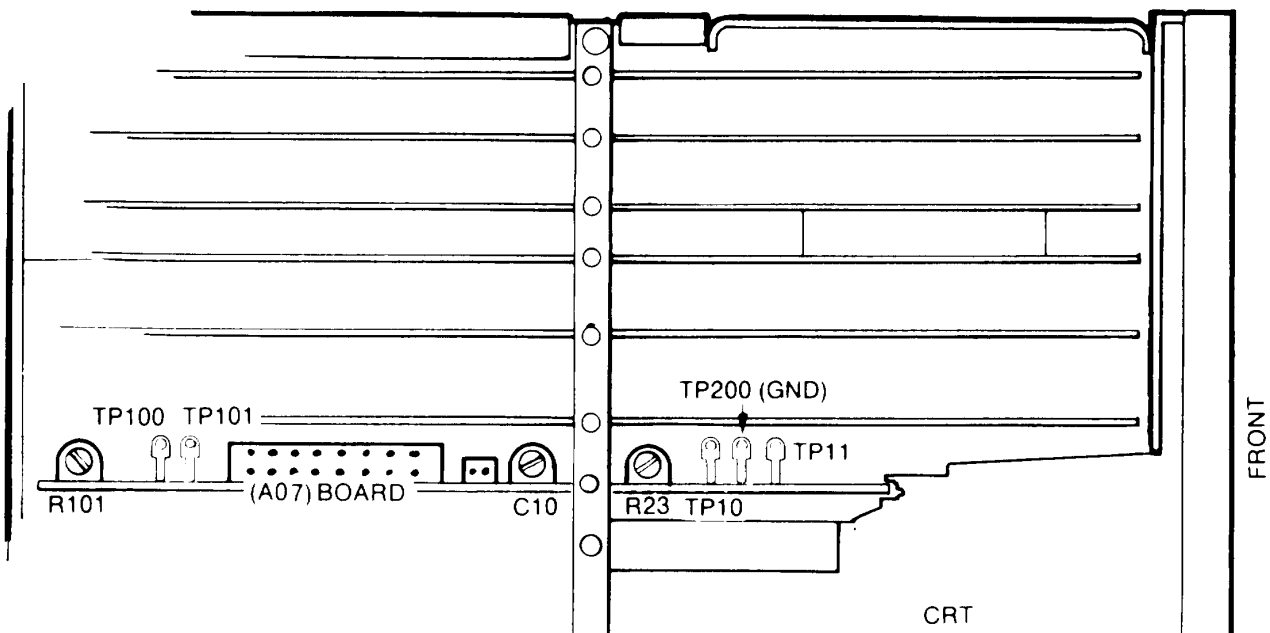
9. Adjust the Threshold Voltages on the A07 Board (318S1 Instruments Only)

Equipment Required

1. Digital Multimeter (DMM)

Refer to Figures 5-23 and 5-24

- a. Set MODE to SER (any menu).
- b. Select the Threshold menu and set V1 = 0.0 V and V2 = 0.0 V.
- c. Connect the DMM minus (-) lead to TP200 (GND) on the A07 board.
- d. Connect the DMM plus (+) lead to TP11 (Threshold) on the A07 board.
- e. Set INPUT DATA = V1.
- f. Press the START key.
- g. Record the voltage and label it V0 (V0 will be used as a reference later).
- h. Connect the P6107 Serial Data probe tip to TP200 on the A07 board.
- i. Move the DMM plus (+) lead to TP10 on the A07 board.
- j. Adjust R23 DC BALANCE on the A07 board for a DMM indication of $V0 \pm 0.001$ V (the voltage measured in step (7) ± 0.001 V).
- k. Press the STOP key.
- l. Set INPUT DATA = V2.
- m. Press the START key.
- n. Check that the DMM indication is $V0 \pm 0.001$ V.
- o. Press the STOP key.
- p. Set INPUT DATA = V3.
- q. Press the START key.
- r. Check that the DMM indication is $V0 \pm 0.001$ V.
- s. Press the STOP key.



4434-401

Figure 5-23. 318 Serial Analysis/RS-232C/NVM test point and adjustment locations

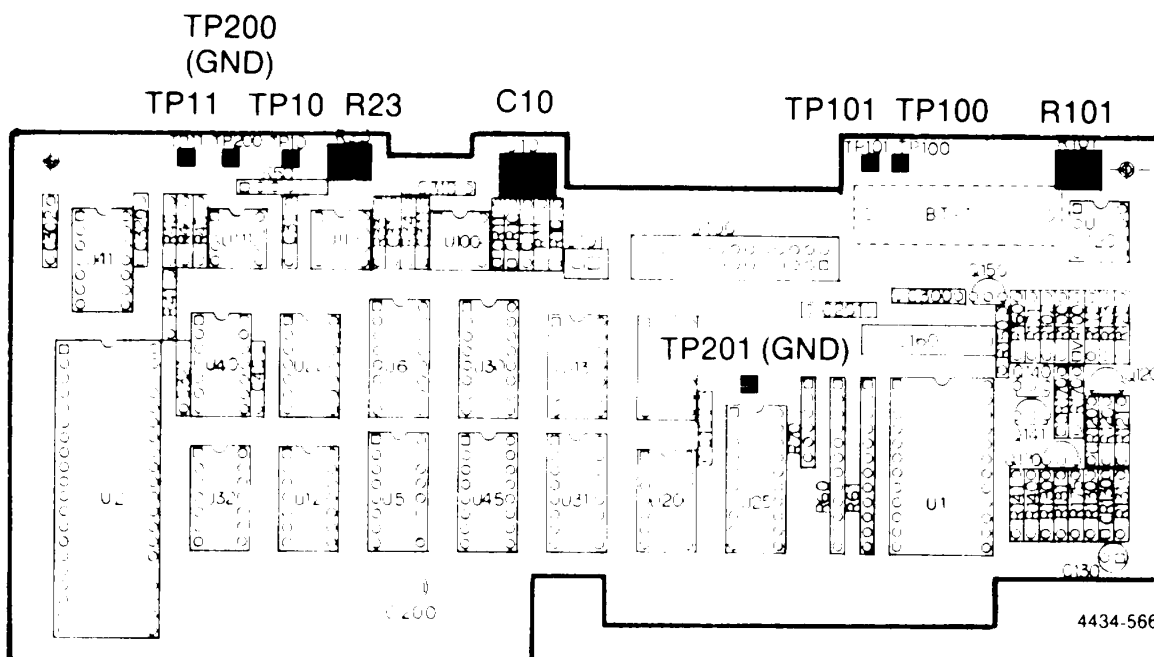


Figure 5-24. 318 Side view of A07, Serial Analysis/RS-232C/NVM board.

10. Adjust Input Capacitance and Serial Data Probe Compensation, 40 pf

Equipment Required

1. Oscilloscope
1. Generator
1. 1 M Ω , 40 pF Normalizer
1. BNC T-Connector
1. BNC male-to-Probe-tip Adapter
1. BNC 50 Ω Cable

Refer to Figures 5-25 and 5-26.

- a. Connect the 40 pF normalizer to the SERIAL DATA INPUT jack on the left side panel. Install a BNC T-connector to the 40 pF normalizer. Connect a 50 Ω cable from the pulse generator's OUTPUT to one side of the BNC T-connector.
- b. Connect the oscilloscope channel 2 probe tip to the other side of the BNC T-connector.
- c. Connect the oscilloscope channel 1 probe tip to TP10 on the A07 board.
- d. Set the pulse generator as follows:

BACK TERM	IN
Period	1 mS
Duration	SQ WAVE
High level	+5 V
Low level	- 5 V

- e. Select the Threshold menu and set LEVEL V1 = 0.0 V, and V2 = 0.0 V.
- f. Set INPUT DATA = V1.
- g. Press the START key.
- h. Set the oscilloscope controls so that channel 1 and channel 2 waveforms are superimposed.
- i. Adjust C10 (COMPENSATION) on the A07 board so that the shape of the channel 1 waveform most nearly matches the shape of the channel 2 waveform.
- j. Press the STOP key.
- k. Remove 40 pF normalizer from SERIAL DATA INPUT and from the BNC T-connector.
- l. Connect P6107 Serial Data Probe from the SERIAL DATA INPUT jack to the male end of the BNC T-connector.
- m. Adjust the oscilloscope controls so that the channel 1 and channel 2 waveforms are superimposed.
- n. Remove the P6107 Serial Data Probe CALIB SEAL.
- o. Adjust P6107 Probe compensation screw so that the waveform corners are square.
- p. Reinstall the CALIB SEAL.
- q. Disconnect the test probes.

11. Adjust Non-volatile Memory Battery Backup Threshold

Equipment Required

1. Oscilloscope
1. Digital Multimeter (DMM)

Refer to Figures 5-16 and 5-17.

- a. Connect the DMM minus (-) lead to TP200 (GND) on the A07 board.
- b. Connect the DMM plus (+) lead to TP101 (+5 V) on the A07 board.
- c. Record the voltage measured.
- d. Adjust +5V POTENTIOMETER R11 on the A12 REGULATOR board for a DMM indication of 4.65 + 0.01 V.
- e. Connect the oscilloscope channel 1 probe tip to TP100 on the A07 board.
- f. Set the oscilloscope to 1 μ s/div. and 2 V/div., dc.
- g. Turn NVM THRESHOLD R101 on the A07 board clockwise until the oscilloscope indication is low.
- h. Adjust NVM THRESHOLD R101 by slowly turning counterclockwise until the oscilloscope waveform level rises to high.
- h. Adjust +5V POTENTIOMETER R11 on the A12 REGULATOR board for a DMM indication equal to that recorded in step (c) above.

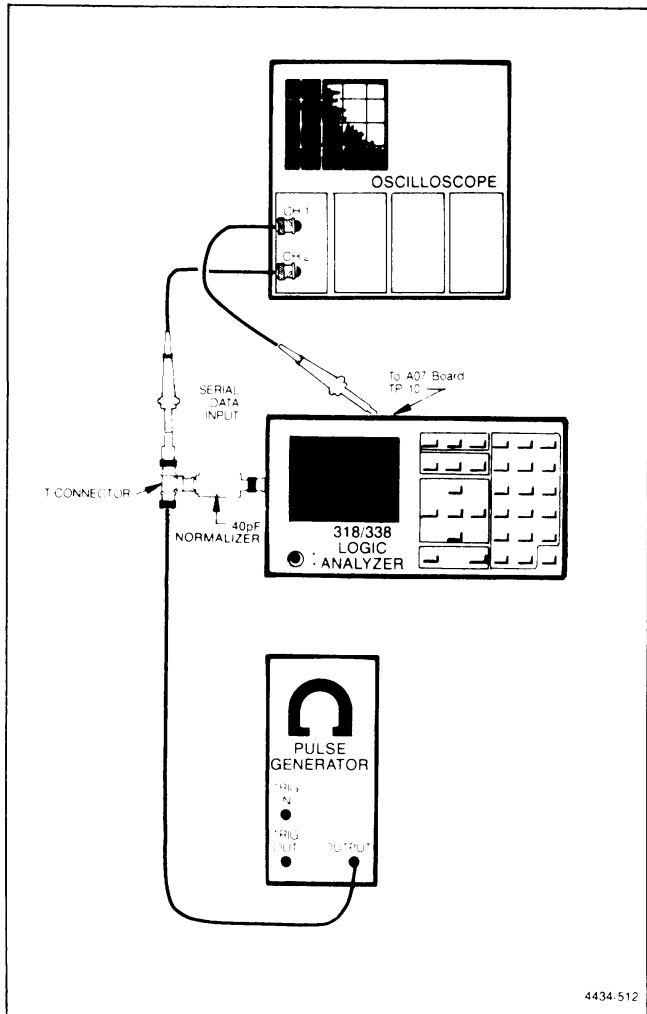


Figure 5-25. 318 Input capacitance adjustment setup.

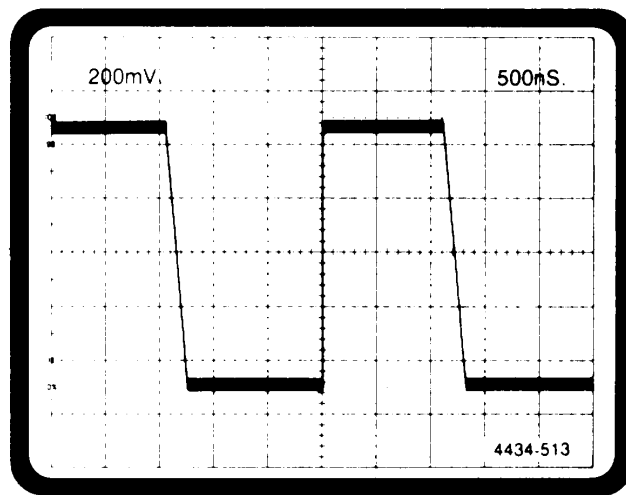


Figure 5-26. 318 Input capacitance waveform.

PERFORMANCE CHECK FOR THE 318

The Performance Check Procedure provides a detailed check of internal and external product characteristics. These checks can be extensive and time-consuming. Under normal circumstances the Functional Check Procedures will provide an adequate test of product performance in a less costly manner.

The Performance Check Procedure is organized into sets of tests for the mainframe, the acquisition module, each type of probe, and 318S1 serial analyzer option.

INDEX OF PERFORMANCE CHECKS

- Test 1. Threshold Voltages
- Test 2. Parallel Data Acquisition, Word Recognition, and Trigger Sequencer Checks with External Clock Minimum Period.
- Test 3. Glitch Data Acquisition and Glitch Trigger
- Test 4. Start Output and Trigger Output
- Test 5. External Trigger Input
- Test 6. Serial State Analyzer (318S1)

THE PERFORMANCE CHECKS

Test 1. Threshold Voltages

Equipment Required	Tektronix Equivalent
1 Oscilloscope	module 7904 with 7B80 and 7A26 plug-in modules
2 Oscilloscope Probes 10X	P6106
1 Pulse Generator	PG 502
1 Digital Multimeter (DMM)	DM 502
1 Regulated DC Power Supply	PS 501
1 BNC T-Connector	103-0030-00
2 BNC male-to-Probe-tip Adapters	013-0084-02
1 BNC 50 Ω Cable 18 inches long	012-0076-00
1 BNC 50 Ω Cable 42 inches long	012-0057-01
2 Flying Lead set 5in. (short leads)	012-0987-00
1 Test Fixture	See Figure 5-2.
1 BNC Female-to-Dual-Banana connector	

1. Threshold Voltage Test Setup

- a. Install the P6107 EXT CLK Probe and both P6451 Parallel Data Probes in the 318. Connect a BNC T-connector to the pulse generator OUTPUT. Connect the P6107 External Clock probe tip to one side of the BNC T-connector. Refer to Figure 5-27.

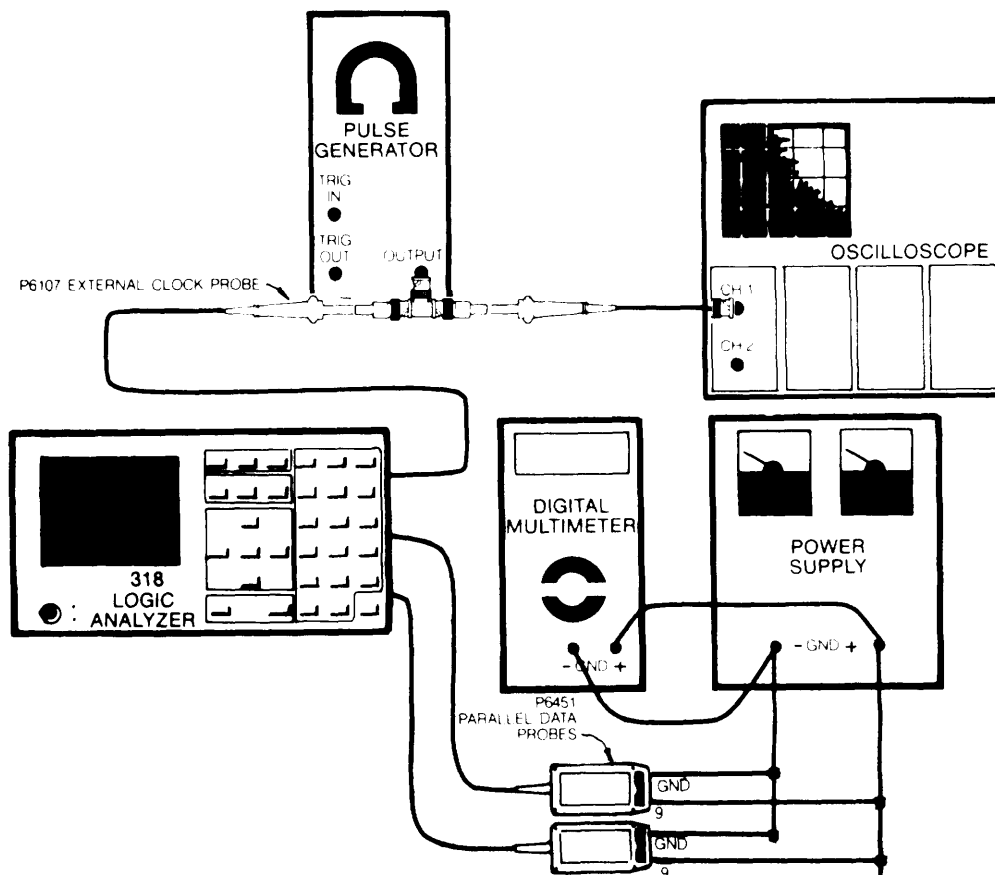


Figure 5-27. Threshold voltage check setup.

4434-514

- b. Connect the Test Scope Channel 1 10X Probe tip to the other side of the BNC T-connector.
- c. Set the pulse generator as follows:
- | | |
|----------|---------|
| PERIOD | 30ms |
| DURATION | SQ Wave |
- d. Connect the DMM minus (-) lead to the power supply reference (-) terminal and the plus (+) lead to the plus (+) terminal.

WARNING

Do not reverse the power supply connections when common is connected to ground; that would allow excessive current to pass through to the P6451 Probe ground. If the P6451 Probe ground lead is connected to a large current source the probe will be damaged.

- e. Connect the P6451 Probe GND leads from Pods A and B to the power supply reference (-) terminal.
- f. Connect the P6451 Probe DATA leads from Pods A and B to the Power Supply plus (-) terminal.
- g. Power-up and setup 318 as follows:

THRESHOLD MENU

INPUT

EXT CLK = TTL
 POD A = TTL
 POD B = TTL

TRIGGER MENU

CLK

EXTT

POSN

DELAY

00249

Events

00001*WA FLW'D BY:WB OFF:WC

2. Threshold Level TTL

- a. Repeat the following procedures, (b) through (e), for two voltage levels of the power supply output given in Table 5-7.
- b. Set the pulse generator output level to that given in Table 5-7 as measured by the oscilloscope. Set the oscilloscope so that + 1.4 V is at midscreen:
 - 1. Set the DVM for 1.40 V
 - 2. Momentarily move the oscilloscope CH1 probe to the DVM + 1.40 V output.
 - 3. Set the oscilloscope vertical Volts/DIV so that the screen reads 200 mV (20 mV setting using 10x probe).
 - 4. Adjust the vertical position so that the trace is at midscreen (+ 1.40 V at midscreen).
 - 5. Return the oscilloscope CH1 probe to the pulse generator's BNC T-connector.
 - 6. Adjust the pulse generator output so that the signal is 1 1/4 divisions above and 1 1/4 divisions below midscreen (+ 1.15 V to = 1.65 V).
- c. Set the power supply level to the voltage given in Table 5-7 as measured with the DVM.
- d. Press the START key and wait for the acquisition to be completed; make sure that SLOW CLOCK is not displayed on the CRT.
- e. Press the DATA key until the State Table is displayed. Check that data acquired are equal to the Expected Data given in Table 5-7.

Table 5-7.
318 VOLTAGE LEVELS FOR TESTING TTL

Power Supply	Pulse Generator		T/H Level			Expected
Output (V)	High (V)	Low (V)	V1(V)	V2(V)	V3(V)	Data
+1.65	+1.65	+1.15	----	----	----	all Fs (hex)
+1.15	+1.65	+1.15	----	----	----	all 0s

3. Threshold Levels V1, V2, and V3

- a. Press the 318 THRESHOLD key.
- b. Refer to the values given in Table 5-8 in setting the power supply output level, the pulse generator output level, the system threshold levels, and the INPUT Clock and Pod Threshold levels.
- c. Set the test equipment to the values necessary for Test 1 in Table 5-8 and press the DATA key.
- d. Press the START key and wait for the acquisition to be completed. Check to make sure that SLOW CLOCK is not displayed on the screen.
- e. Check that data acquired are equal to the Expected Data given in Table 5-8.
- f. Set the 318 SRCH WORD to equal the Expected Data and then check that the quantity of SRCH words equals 256.
- g. Repeat Steps (a) to (f) for each test in Table 5-8.
- h. Disconnect the test setup.

Table 5-8.
318 VOLTAGE LEVELS FOR TESTING V1, V2, AND V3

Test #	Power Supply Output (V)	Pulse Generator		T/H Level			T/H Input Clk A, B	Expected Data
		High (V)	Low (V)	V1 (V)	V2 (V)	V3 (V)		
1	+5.25	+5.25	+4.75	+5.0	--	--	V1	all Fs
2	+4.75	+5.25	+4.75	+5.0	--	--	V1	all 0s
* 3	-4.75	-4.75	-5.25	-5.0	--	--	V1	all Fs
* 4	-5.25	-4.75	-5.25	-5.0	--	--	V1	all 0s
5	+5.25	+5.25	+4.75	--	+5.0	--	V2	all Fs
6	+4.75	+5.25	+4.75	--	+5.0	--	V2	all 0s
* 7	-4.75	-4.75	-5.25	--	-5.0	--	V2	all Fs
* 8	-5.25	-4.75	-5.25	--	-5.0	--	V2	all 0s
9	+5.00	+5.00	+4.50	+10.0	-0.5	+4.75	V3	all Fs
10	+4.50	+5.00	+4.50	+10.0	-0.5	+4.75	V3	all 0s
11	+0.25	+0.25	-0.25	0.0	0.0	0.00	V3	all 0s
* 12	-0.25	+0.25	-0.25	0.0	0.0	0.00	V3	all 0s
* 13	-4.50	-4.50	-5.00	+0.5	-10.0	-4.75	V3	all Fs
* 14	-5.00	-4.50	-5.00	+0.5	-10.0	-4.75	V3	all 0s

* Insure that the P6451 probe GND lead connected to the Power Supply Reference terminal is at the same potential as the 318 ground.

TEST 2. Parallel Data Acquisition Word Recognition and Trigger Sequencer Check with External Clock Minimum Period.

Equipment Required	Tektronix Equivalent
1 Oscilloscope	7904 with 7A26 and 7B80 plug-in modules
2 Oscilloscope Probes 10X	P6106
2 Pulse Generators	PG 502
1 Digital Delay	DD 501
4 BNC 50 Ω terminators	011-0049-01
3 BNC T-Connectors	103-0030-00
3 BNC male-to-Probe-tip Adapters	013-0084-02
3 BNC elbow male-to-female adapters	103-0031-00
1 BNC female-to-female adapter	103-0038-00
1 BNC male-to-male adapter	103-0029-00
1 BNC 50 Ω Cable 18 inches long	012-0076-00
1 BNC 50 Ω Cable 42 inches long	012-0057-01
1 Test Fixture.	See Fig. 5-2.
2 Flying Lead set 5 in. (short leads)	012-0987-00

Refer to Figure 5-28.

1. Connect a 50 Q terminator to the #1 pulse generator's OUTPUT. Connect a BNC T-connector to the 50 Qt terminator. Connect the P6107 EXT CLOCK probe tip to one side of the BNC T-connector.
2. Connect the oscilloscope channel 1 10X probe tip to the other side of the BNC T-connector.
3. Connect a BNC elbow to the Digital Delay's EVENTS INPUT. Connect a BNC T-connector to the elbow. Connect one side of the T-connector to the #1 pulse generator's + TRIG OUT using an 18 inch BNC cable and a 50 Q terminator. Connect the other side of the Digital Delay's BNC T-connector to the Digital Delay's START INPUT (see Figure 5-28). Using 2 BNC elbows and a BNC female-to-female connector will help here.
4. Connect the Digital Delay DLY'D TRIG OUT to the #2 pulse generator's +TRIG/DURATION INPUT using a 42 inch BNC cable
5. Connect all the leads from Pod A, and the Qualifier lead from Pod B, to the Test Fixture; then connect the Test Fixture to the #2 pulse generator's OUTPUT. Make sure that the P6451 probe GND leads are connected to the Test Fixture ground pins (those pins nearest the BNC connector are ground).

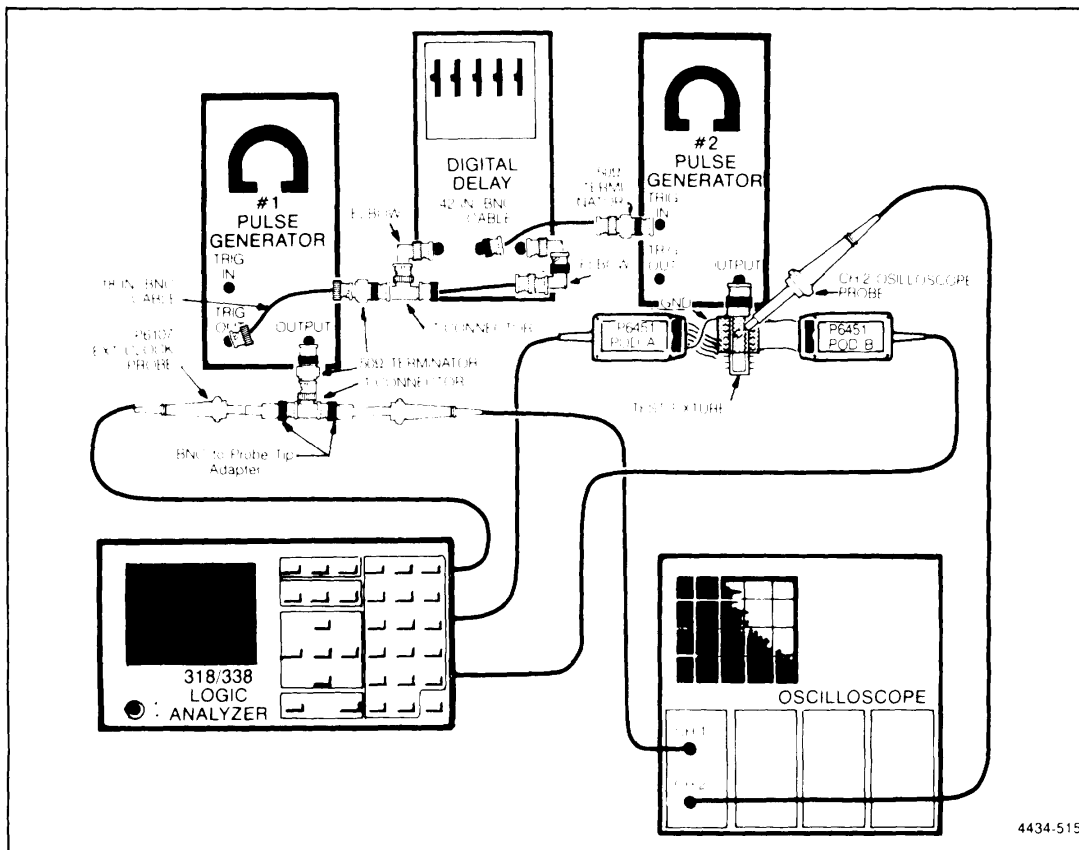


Figure 5-28. 318 Parallel data acquisition test setup.

6. Set the #1 pulse generator's Range Switches to 10 ns PERIOD and 5 ns DURATION.
7. Set the Digital Delay's EVENT DELAY COUNT to 00001 and adjust the EVENTS and START LEVEL until triggered.
8. Connect oscilloscope channel 2 to the #2 pulse generator's OUTPUT using 10X probe and the probe tip connector on the Test Fixture.
9. Power-up and setup the 318 as shown:

SETUP MENU

PLR		
GROUP	G1	ON = AAAAAAA 76543210
	G2	OFF

THRESHOLD MENU

LEVEL	V1 =	+10.0V
	V2 =	-10.0V
INPUT	EXT CLK =	V3
	POD A =	V3
	POD B =	V3

TRIGGER MENU

```

Source      INT TRIG
CLK         EXTI
TRIG        IMMEDIATELY
POSN        DELAY
            00249
Events      00001*WA FLW'D BY:WB OFF:WC

WA =        XX
WB =        XX
WC
    
```

10. Set the oscilloscope as shown:.

7904 Mainframe Horizontal Mode B

7A26

```

Channel 1    VOLTS/DIV      100 mV (10 mV with 10X probe)
              Trigger Source  CH 2
              Display Mode   ALT
              Position        0 V at mid-screen

Channel 2    VOLTS/DIV      100 mV (10 mV with 10X probe)
              Position        0 V at mid-screen
    
```

7M80

```

Triggering      Mode  Coupling  Source
                Auto  AC      INT
Time/DIV        5 ns (50 ns with magnification)
    
```

11. Set the Pulse Generators shown:

Pulse Generator Setup

	1	2
NORM/CPMPLEMENT	COMPLEMENT	NORM
BACK TERM	OUIT (pull)	OUT (pull)
PERIOD	20 ns at 0 V level	EXT TRIG
DURATION	10 ns at 0 V level	14 ns + pulse at 0 V level
HIGH LEVEL	+0.35V	+0.25
LOW LEVEL	-0.35	-0.25

12. Set the oscilloscope triggering SOURCE to CH2 ONLY.

13. Adjust DD501 EVENTS LEVEL slowly until the channel 2 waveform's falling edge crosses the channel 1 waveform's rising edge at 0 V (mid-screen). See Figure 5-29 (14 ns setup, 0 ns hold).

NOTE

Over adjustment of the EVENTS LEVEL will cause a loss of the DD501 triggering and oscilloscope display. If the adjustment range is not adequate, replace the 42 inch BNC cable, from DLY'D TRIG OUT to the #2 Pulse Generator's +TRIG INPUT, with a longer or shorter cable.

14. Set the 318 CLK and QUALIFIERS for Condition 1 in Table 5-9.
15. Press the 318 DATA key until the State Table is displayed.
16. Press the START key.
17. Check that the data acquired is equal to the Expected Data in Table 5-9.
18. Setup the 318 CLK and QUALIFIERS for Conditions 2 and 3 in Table 5-9. Repeat steps 15 to 17 for each Condition.
19. Set the #1 pulse generator's OUTPUT to NORM.
20. Adjust DD501 EVENTS LEVEL until the channel 2 waveform's falling edge crosses channel 1's falling edge at 0 V (mid-screen). See Figure 5-30 (14 ns setup, 0 ns hold).
21. Change the 318 CLK and QUALIFIERS for Conditions 4, 5, and 6 in Table 5-9. Repeat steps 15 to 17 for each Condition.

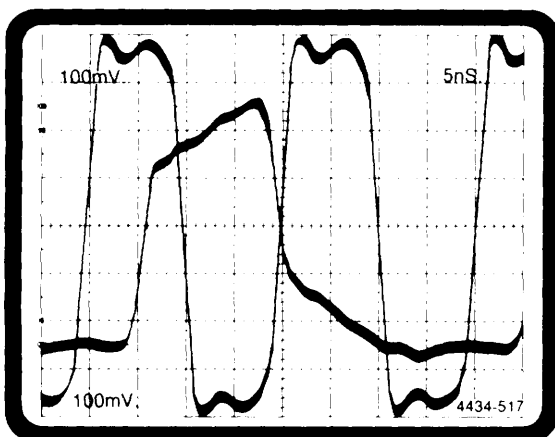


Figure 5-29. 318 Parallel data acquisition test waveform #1.

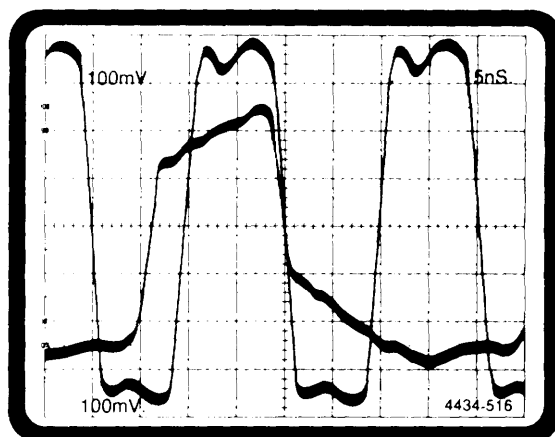


Figure 5-30. 318 Parallel data acquisition test waveform #2.

Table 5-9.
318 PARALLEL DATA TEST CONDITION AND EXPECTATIONS

Condition	1	2	3	4	5	6
Test Waveform Figure	5-59	5-29	5-29	5-30	5-30	5-30
CLK	EXT ↑	EXT ↑	EXT ↑	EXT ↓	EXT ↓	EXT ↓
QUALIFIERS A	OFF	CLK-H	CLK-H	OFF	TRG-L	TRG-L
B	OFF	TRG-L	TRG-H	OFF	CLK-L	CLK-H
EXPECTED DATA	00 FF 00 FF	** ** ** **	FF FF FF FF	00 FF 00 FF	00 00 00 00	** ** ** **

NOTE

*The ** means the 318 acquires data without triggering. Press the STOP key to stop data acquisition.*

22. Switch the P6451 probes connected to the Parallel Data inputs A and B. All of the leads from Pod B and the Qualifier lead from Pod A should now be connected to the test fixture.
23. Select the SETUP menu and set GROUP G1 = B7-BO.
24. Swap the Qualifier values for A and B in Table 5-9 and repeat steps 11 through 21.
25. Return the #1 pulse generator's OUTPUT to COMPLEMENT.
26. Adjust the DD501 events level slowly until the channel 2 waveform's falling edge crosses the channel 1 waveform's rising edge at 0 V (mid-screen). See Figure 5-29 (14 ns setup, 0 ns hold).
27. Change the 318 settings as follows:

SETUP MENU

ACQ. MODE

REPEAT ACQ

TRIGGER MENU

CLK =

EXT ↑

POSITION

DELAY 00246

EVENTS

00001 * WA THEN:WB THEN:WC

WA = 00

WB = FF

WC = 00

QUALIFIERS (Pod)

A

OFF

B

OFF

28. Press the DATA key until State Table is displayed and then press the START key.
29. Check for the following data and proper trigger location. It may be necessary to scroll through the display.

	0	##	(Always no data)
	1	## or FF	
	2	00	
	3	FF	
T	4	00	(Trigger location)

30. Press the STOP key and change TRIGGER MENU Word C to WC = FF.

31. Press the START key and check that the 318 does not trigger.

32. Press the STOP key.

33. Change the TRIGGER MENU as follows:

POSITION	DELAY	00245	
EVENTS	00001 * WA		THEN:WB FLW'D BY WC
			WA = 00
			WB = FF
			WC =- FF

34. Press the DATA key and then the START key.

35. Check for the following data and proper trigger location.

	0	##	(Always no data)
	1	## or FF	
	2	00	
	3	FF	
	4	00	
T	5	FF	(Trigger location)

36. Press the STOP key and then the TRIGGER key.

37. Change the TRIGGER MENU Word B to WB = 00.

38. Press the START key and check that the 318 does not trigger.

39. Press the STOP key.

40. Change the TRIGGER MENU as follows:

EVENTS	00001 'WA FLW'D BY:WB FLW'D BY:WC
--------	-----------------------------------

41. Press the DATA key and then the START key.

42. Check for the following data and proper trigger location.

	0	##	(Always no data)
	1	## or FF	
	2	00	
	3	FF	
	4	00	
T	5	FF	(Trigger location)

43. Press the STOP key and then the TRIGGER key.

44. Change the TRIGGER MENU as follows:

EVENTS	00002 * WA OR :WB OR :WC
	WA = XX
	WB = 00
	WC = FF

45. Press the DATA key and then the START key.

46. Check for the following data and proper trigger location.

	0	##	(Always no data)
	1	##	(Always no data)
	2	##	(Always no data)
	3	##	(Always no data)
	4	##	(Always no data)
T	5	00 and/or FF	(Check several acquisitions) (and make sure that both 00 and) (FF triggers occur.)

47. Press the STOP key and then the TRIGGER key.

48. Change the TRIGGER MENU as follows:

```
EVENTS          00002 ' WA OFF:WB RESET ON:WC
                WA = FF
                WB
                WC = 00
```

49. Press the START key and check that the 318 does not trigger.

50. Press the STOP key.

51. Change the TRIGGER MENU as follows:

```
POSN           DELAY = 00000
Events         00001 *WA OFF:WB RESET ON:WC
```

52. Press the DATA key, the T key (scroll), and then the START key.

53. Check for the following data and proper trigger location.

	243	##	(Always no data)
	244	##	(Always no data)
	245	##	(Always no data)
	246	##	(Always no data)
	247	##	(Always no data)
	248	##	(Always no data)
	249	## or 00	
T	250	FF	(Trigger location)

54. Press the STOP key and the the TRIGGER key.

55. Increase the DD501 DELAY COUNT by steps of 01000 until the oscilloscope display starts to become too dim to observe.

56. Adjust the oscilloscope horizontal POSITION to display the channel 2 waveform.

57. Adjust the DD501 EVENTS LEVEL slowly until the channel 2 waveform's falling edge crosses the channel 1 waveform's rising edge at 0 V (mid-screen). See Figure 5-29 (14 nS setup, 0 nS hold).

NOTE

If adjustment range is not adequate then replace the DLY'D TRIG OUT BNC cable with a longer or shorter one.

58. Set the DD501 DELAY COUNT to 65000.

59. Change the TRIGGER MENU as follows:

```
POSITION       DELAY = 65000
EVENTS         00001 * WA OFF:WB OFF:WC
                WA = FF
```

- 60. Press the DATA key and then the START key.
- 61. Check that data at location 251 contains FF, and all other data locations contain 00.
- 62. Press the STOP key and check the display, lower right for:

ST:T = — 64750W

- 63. Change the TRIGGER MENU as follows:
POSITION DELAY = 00000
EVENTS 65000 'WA OFF:WB RESET ON:WC
 WA - 00
 WB
 WC = FF

- 64. Press the DATA key and the START key.
- 65. Check for the following data and proper trigger location.

	243	00	
	244	00	
	245	00	
	246	00	
	247	00	
	248	00	
	249	00	
T	250	00	(Trigger location)
	251	FF	
	252	00	

- 66. Press the STOP key and then the ↓ (scroll) key.
- 67. Return the DD501 DELAY COUNT to 00001.
- 68. Adjust the DD501 EVENTS LEVEL slowly until the channel 2 waveform's falling edge crosses the channel 1 waveform's rising edge at 0 V (mid-screen). See Figure 5-29 (14 nS setup, 0 nS hold).
- 69. Disconnect the P6451 probe from the Pod A PARALLEL DATA INPUT connector on the right side panel and connect it to the Pod B connector. Connect the P6451 probe that was connected to the Pod B connector to the Pod A connector (i.e. swap the P6451 probes connected to Pods A and B).
- 70. Change 318 SETUP to GROUP G1 ON = A7-A0.
- 71. Repeat steps 27 to 68.

Test 3. Glitch Data Acquisition and Glitch Trigger

Equipment Required

- 1 Oscilloscope
- 2 Pulse Generators
- 3 BNC 50 Ω termination's
- 2 BNC T-Connectors
- 3 BNC male-to-probe-tip Adapters
- 1 BNC male-to-dual-binding Adapter
- 2 Bus Wires
- 1 BNC 50 Ω Cable 18 inches long
- 1 Test Fixture

1. Setup

- a. Refer to Figure 5-31. Connect a 50 Ω terminator to the #1 pulse generator's OUTPUT. Connect a BNC T-connector to the 50 Ω terminator. Connect the P6107 External Clock probe to one side of the BNC T-connector.
- b. Connect the oscilloscope's channel 1 10X Probe tip to the other side of the BNC T-connector.
- c. Connect the #1 pulse generator's TRIG OUT to the #2 pulse generator's TRIG INPUT using the 42 inch long BNC cable.
- d. Connect all the Pod-A P6451 Probe Data leads to the Test Fixture square pins and then connect the Test Fixture to the #2 pulse generator's OUTPUT. Make sure that the P6451 Probe GND lead is connected to one of the Test Fixture ground pins (those pins nearest the BNC connector).
- e. Connect the oscilloscope channel 2 10X Probe tip to the Test Fixture at the #2 pulse generator's OUTPUT.
- f. Power-up and set up the 318 as follows:

SETUP MENU

```

PLR
GROUP      G1          ON = AAAAAAAA
              76543210
              G2          OFF
              G3          OFF
              G4          OFF
  
```

THRESHOLD MENU

```

LEVEL      V1 =          + 10.0V
              V2 =          - 10.0V

INPUT      EXT CLK =  V3
              POD A =  V3
              POD B =  V3
  
```

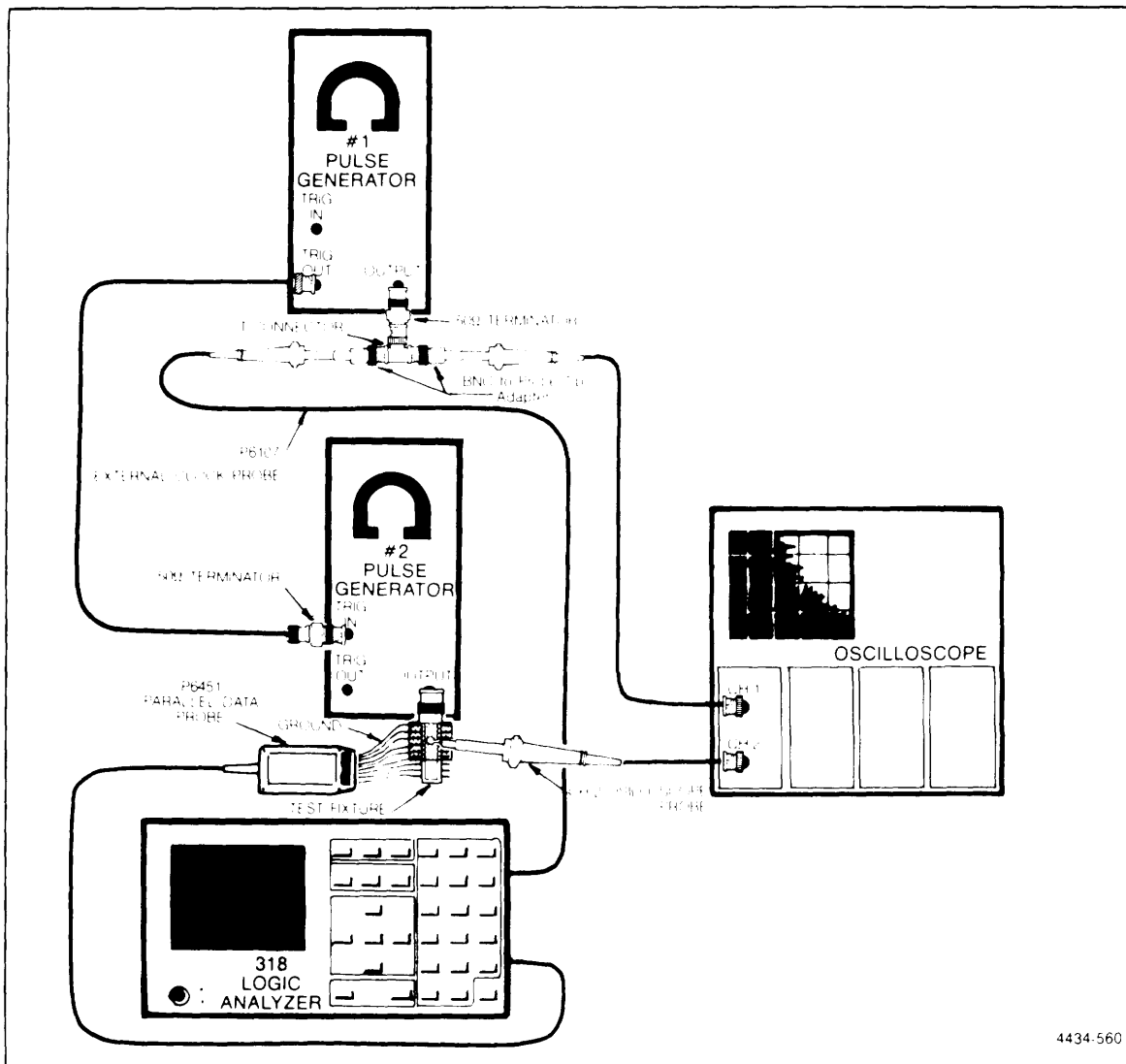


Figure 5-31. 318 Glitch data acquisition test setup.

TRIGGER MENU

CLK EXT↓
 TRIG IMMEDIATELY
 Events 00000*WA OFF WB OFF WC

GLITCH 76543210
 POD A ON ◆
 POD B ON

QUALIFIERS (POD)
 A OFF B OFF

2. Positive Glitch

- a. Set the Pulse Generator as per Table 5-10 and Figure 5-32.

Table 5-10.
 318 POSITIVE GLITCH PULSE GENERATOR SETUP

	Pulse Generator	
	# 1	# 2
Termination	BACK TERM	BACK TERM
Output	COMPLEMENT	NORMAL
Period	20 ns	EXT TRIG
Duration	10 ns	5ns @ +0.35 V level
High Level	+0.35V	+0.50V
Low Level	-0.35V	-0.50V

NOTE

HIGH level, LOW level, and DURATION adjustments interact and require readjustment.

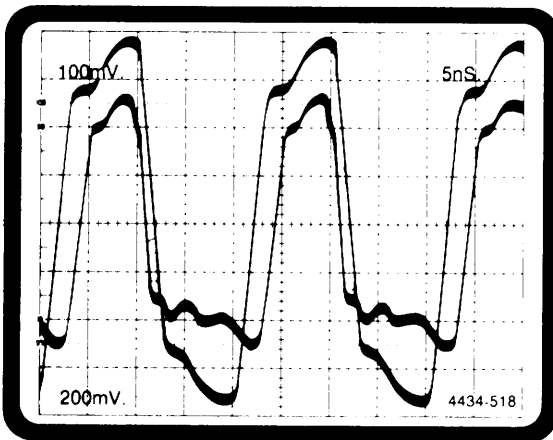


Figure 5-32. 318 Glitch data acquisition test waveform #1.

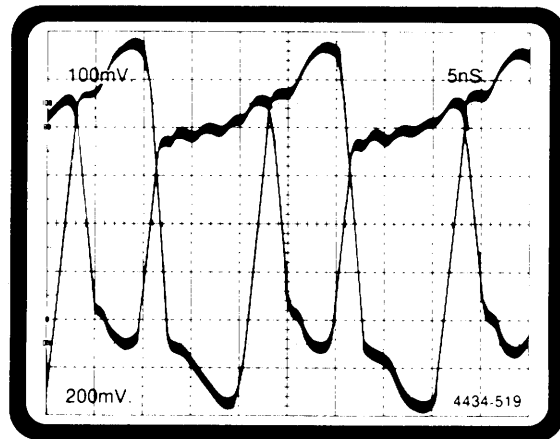


Figure 5-33. 318 Glitch data acquisition test waveform #2.

NOTE

Insure that the Glitch waveform timing does not occur 0-14 ns prior to the clock waveform's rising edge or the Glitch may appear as data in this test. Glitch data width must be at least 5 ns as measured at 350 mv above threshold.

- b. Press the 318 DATA key until the State Table is displayed.
- c. Press the 318 START key.
- d. Check that all data acquired, at the trigger location and after, are displayed in inverse video in the SRCH GLITCH mode (SRCH = 1/249).

- e. Press the 318 TRIGGER key, select the next GLITCH channel, one channel at a time, and repeat steps (b) through (d) until channels 0 through 7 have been tested.
- f. Move the P6451 Probe connector from Pod A to Pod B PARALLEL DATA INPUT.
- g. Change the SETUP MENU to GROUP G1 ON - B7-B0.
- h. Press the TRIGGER MENU and select GLITCH Pod B channel 0 only.
- i. Repeat steps (b) to (e).

3. Negative Glitch

- a. Set the pulse generators as per Table 5-11 and Figure 5-33.

NOTE

HIGH level, LOW level and DURATION adjustments inter-react and require readjustment.

- b. Follow the same procedure as in the POSITIVE GLITCH test; select the State Table, press the START key, check for Glitch Data, select the next channel and repeat until all channels have been tested.
- c. Move the P6451 Probe back to the Pod-A INPUT, setup the 318 for G1 = A7-AO and repeat step (b) for Pod-A.

Table 5-11.
318 NEGATIVE GLITCH PULSE GENERATOR SETUP

	Pulse Generator	
	# 1	# 2
Termination	BACK TERM	BACK TERM
Output	COMPLEMENT	COMPLEMENT
Period	20 ns	EXT TRIG
Duration	10 ns	5ns @ - 0.35 V level
High Level	+ 0.35V	+ 0.50V
Low Level	- 0.35V	- 0.50V

Test 4. Start Output and Trigger Output Test.

EQUIPMENT REQUIRED

2 PATCH CORDS, 2 inches long 012-0200-00

- 1. Connect Pod A and Pod B GND leads to the 318 GND mini-jack using one patch cord and grabber tips.

Verification and Adjustment Procedures-318/338 Service

2. Connect Pod A and Pod B channel 0 leads to the 318 START OUTPUT mini-jack using another patch cord and grabber tips.
3. Power-up and setup the 318 as follows:

SETUP MENU	REPEAT ACQ
THRESHOLD MENU	
LEVEL	V1 = +0.7 V V2 = +2.4 V
INPUT	Pod A = V1 Pod B = V2
TRIGGER MENU	
CLOCK	20 ns
TRIG =	IMMEDIATELY
EVENTS	1 * WA OFF:WB OFF:WC WA = 0000

4. Press the DATA key until State Table is displayed.
5. Set the Search Word to Word = 01-01.
6. Press the START key and check for the following display:

```

SRCH =          1/34 (Approximately)

                WORD =          01    -01
                                G1    G2
                                H     H
                                0    ##    ##    (Always no data)
                                1    ##    ##    (Always no data)
                                2    ##    ##    (Always no data)
                                3    ##    ##    (Always no data)
                                4    ##    ##    (Always no data)
                                5    ##    ##    (Always no data)
                                6    ##    ##    (Always no data)
                                T 7    00    00    (Trigger location)
                                8     0X    0X    /X = Don't care and it may \
                                9     0X    0X    \change with each acquisition/
                                10    01    01    (Start Output)
                                11    01    01
                                12    01    01
    
```

7. Move the mini-jack cable from START OUTPUT to TRIG OUTPUT.
8. Press the START key and check that TRIGGER OUTPUT, WORD 01-01, starts at or near location 12 and the quantity of SRCH WORDS exceed 240.

Test 5. External Trigger Input Test.

Equipment Required	
1	BNC to Mini-Jack Cable 175-1178-00
1	Oscilloscope
1	Pulse Generator
1	10X Probe
1	50 ohm Terminator
1	BNC-to-Probe Adapter

1. Connect a 50 ohm terminator to PG502 OUTPUT.
2. Connect a 10X probe from the oscilloscope CH1 to a BNC-to-probe-tip adapter and then to the 50 ohm terminator at the PG502 OUTPUT.
3. Setup the Oscilloscope as follows:

TRIGGERING	AUTO, AC, INT, CH1
TIME/DIV	5 ns (Use 10X MAGNIFIER if necessary)
CH1 VOLTS/DIV	1.0 V DC
CH1 POSITION	0 V (GND) set to the middle of screen

4. Set the Pulse Generator as follows:

BACK TERM	OUT
OUTPUT	NORM
PERIOD	0.1 μ s
HIGH LEVEL	+ 2.80 V
LOW LEVEL	0.00 V
DURATION	20 ns @ + 1.4 V level

5. Remove the 10X Probe and BNC-to-probe-tip adapter from the pulse generator.
6. Connect the BNC-to-mini-jack Cable from the 50 ohm terminator at the PG502 OUTPUT to the 318 TRIG INPUT mini-jack. Connect the cable braid lead to the 318 GND mini-jack.
7. Power-up and setup the 318 as follows:

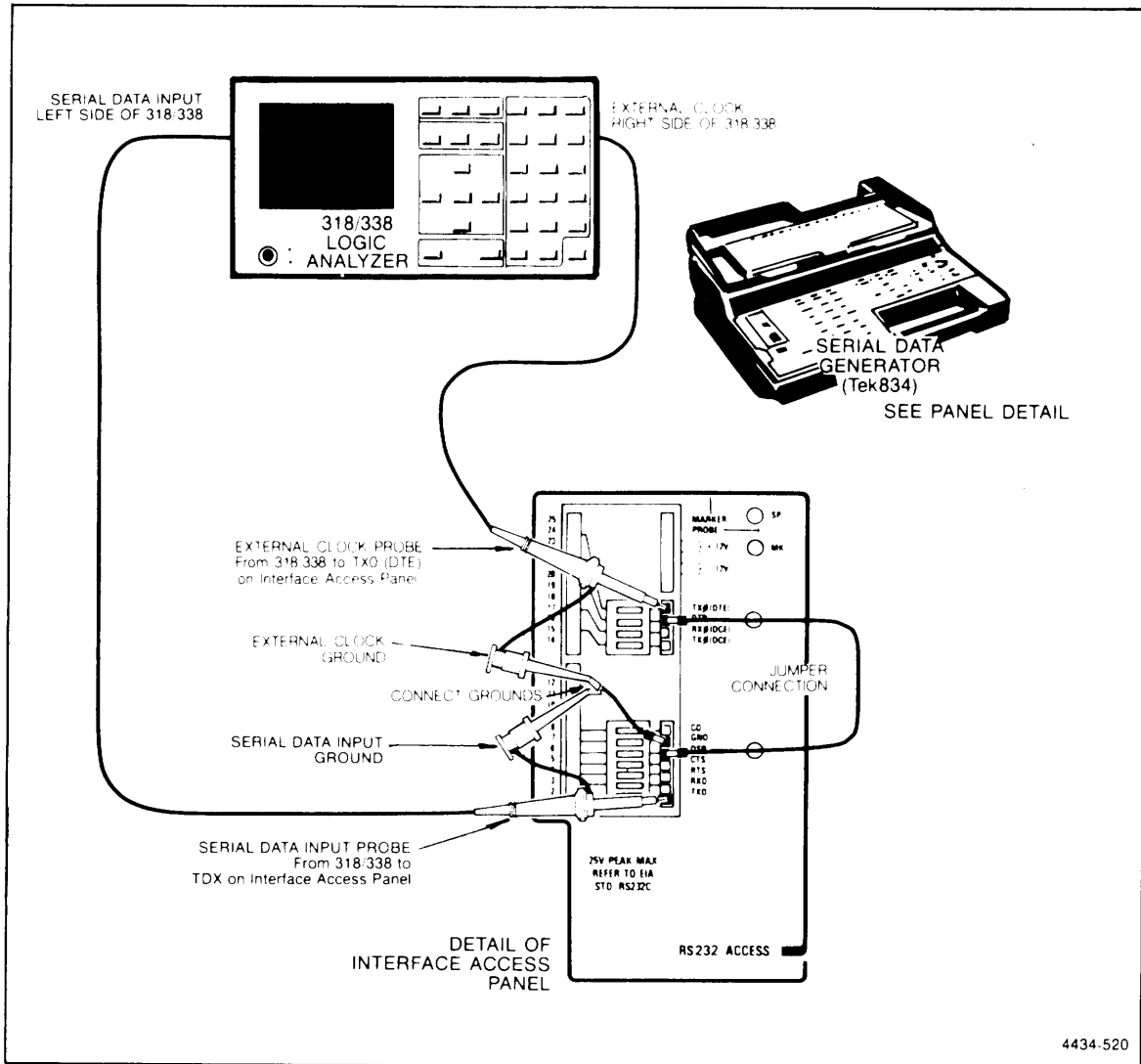
TRIGGER MENU	
SOURCE	EXT TRIG
EXT TRIG POL	↑

8. Press the START key and check that the 318 triggers.
9. Set the pulse generator Period to EXT TRIG and insure that no cables are connected to the pulse generator External Trigger input.
10. Press the START key and then press the PG502 MAN TRIG.
11. Check that the 318 triggers only after the PG502 MAN TRIG button is pushed.
12. Set the EXT TRIG POL to negative and the PG502 OUTPUT to COMPLIMENT.
13. Repeat steps (10) and (11).

Test 6. Serial State Analyzer (318S1)

Equipment Required
 1 Serial Data Generator

Refer to : Figure 5-34.



4434-520

Figure 5-34. 318 Serial state analyzer performance test setup.

1. Set POWER switch to ON.
2. Set major mode to SERIAL and press the EXECUTE key.
3. Select the SETUP MENU and set the baud rate to 2400.
4. Select the Threshold menu and set DATA and EXT CLK Threshold to 0.00 V.
5. Allow 15 minutes for the 318 to stabilize.
6. Connect test setup as shown in Figure 5-25.
7. Set the serial data generator power to ON, and select DTE SIMULATE mode.

Verification and Adjustment Procedures-318/338 Service

8. Set serial data generator SETUP as follows;
CODE=ASCII, BAUD=2400, DUPLEX=FULL, SETUP=ASYNC, BITS/CHAR=8, PARITY= NONE, STOPBITS = 1, TIMING= NORMAL..
9. Load the following program into the serial data generator:

STEP	MNEMONIC	
	CODE	
1	SEND	#1
2	JMP	#1
10. Load the following hexadecimal data in the serial data generator buffer # 1: E0, E0, E2, E4, E6, E8
11. Press the START key on the serial data generator.
12. Select the DATA DISPLAY STATE TABLE and press the START key.
13. When the 318 displays data on the crt, press the serial data generator STOP key.
14. Check that the 318 display matches the WORD SEQUENCE column on Table 5-12.
15. Set the 318 baud rate to 19.2K (DATA screen).
16. Set the serial data generator baud rate to 19.2K.
17. Set the 318 and the serial data generator controls as indicated in step 1 of Table 5-12 and repeat preceding steps of Test 6 (11) through (14).
18. Finish steps 2 through 7 Table 5-12 as set up in step (17) of Test 6.

TABLE 5-12.
318 SERIAL STATE ANALYZER TEST STEPS

Step	318	Serial Data Generator	Word Sequence
1	BITS/WORD = 8	BITS/CHAR = 8	E0, E0, E2, E4, E6, E8
2	BITS/WORD = 7	BITS/CHAR = 7	60, 60, 62, 64, 66, 68
3	BITS/WORD = 6	BITS/CHAR = 6	20, 20, 22, 24, 26, 28
4	BITS/WORD = 5	BITS/CHAR = 5	00, 00, 02, 04, 06, 08
5	BAUD RATE = EXT16 BITS/WORD = 6	BITS/CHAR = 6	20, 20, 22, 24, 26, 28
6	COMM. MODE = SYNC BITS/WORD = 8 SYNC WORD 1 = 16 SYNC WORD 2 = 16	SETUP = SYNC BITS/CHAR = 8 CLOCK = DERIVED (INSERT DATA 16, 16 TO TOP OF BUFFER #1)	E0, E0, E2, E4, E6, E8, FF, FF, FF
7	BITS/WORD = 5 SYNC WORD 1 = AD SYNC WORD 2 = 05 HUNT WORD = 08	BITS/CHAR = 5	00, 02, 04, 06, 08

NOTE

Selection field for BITS/WORD and COM. MODE (SYNC or ASYNC) and BAUD RATE appear in the 318 SETUP Menu. Selection fields for SYNC WORD and HUNT WORD are in the TRIGGER Menu.

To load SETUP parameters into the serial data generator, the operator must: (a) press SETUP, (b) select SETUP item using LEFT or RIGHT Vector keys, (c) select SETUP parameters using UP or DOWN VECTOR key.

To load data into the serial data generator buffer #1, the operator must: (a) press PROGRAM, (b) press RIGHT VECTOR, (c) press DOWN VECTOR, (d) press keys for the two hexadecimal characters to be entered, and (e) press ENTER. To load additional data , repeat parts (d) and (e).

To load the program into the serial data generator, the operator must: (a) press PROGRAM, (b) select program code by LEFT or RIGHT VECTOR, (c) if program code includes destination number, press alphanumeric key to be entered, and press ENTER, (d) press DOWN VECTOR, to next program step.

FUNCTIONAL CHECK PROCEDURES FOR THE 338

The following procedures are for the 338 Logic Analyzer only. The Functional Check for the 318 Logic Analyzer begins in the first half of this section; refer to the margin tabs for help in locating the 318 procedures.

The Functional Check Procedure verifies that all major sections of the instrument being checked are operational. These tests can be used to determine whether adjustment and/or repair is necessary. The procedures are organized into sets of tests for the mainframe, the acquisition module, each type of probe, and the 338S1 serial acquisition and communication option.

Refer to the beginning of this *Verification and Adjustment Procedures* section, and to the *Operating Information* section of this manual, for instructions on probe connections and use of menus.

NOTE

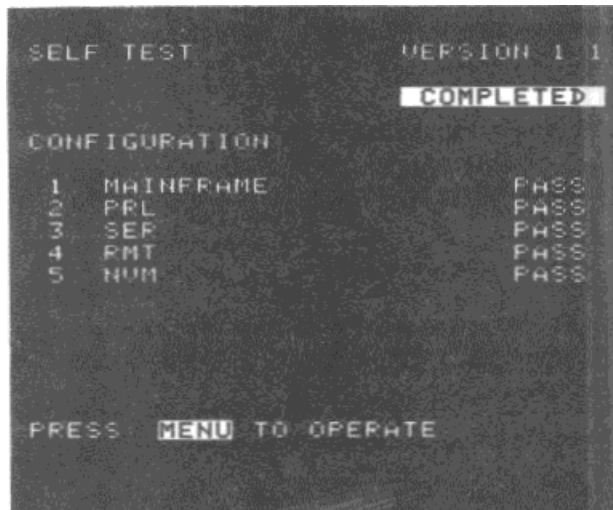
These procedures assume that the user has a moderate understanding of the operation of the 338 menus and hardware. Power-up of the 338 will preset menu selections; power-up must be performed when so instructed.

INDEX OF FUNCTIONAL CHECKS

- Check 1. Power-up Diagnostics
- Check 2. Keyboard
- Check 3. CRT
- Check 4. Threshold Voltage
- Check 5. Parallel Data Acquisition using TEST OUTPUT
- Check 6. Glitch Data Acquisition using TEST OUTPUT
- Check 7. Serial State Analyzer (338S1)

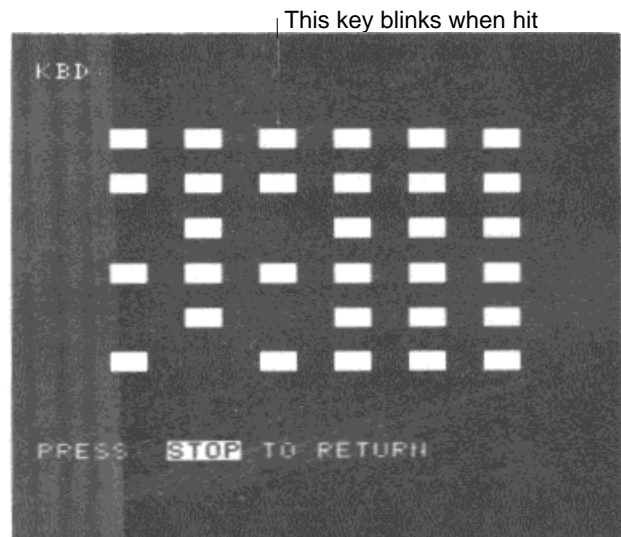
MAINFRAME AND PARALLEL ANALYZER**CHECK 1. POWER-UP DIAGNOSTICS**

1. Turn on the 338.
2. Approximately seven seconds after power is turned on the screen display is initialized. Check to insure that FAIL is not displayed in any of the test fields. Refer to Figure 5-35.



4433-03

Figure 5-35. 338 successful power-up diagnostics display.



4433-07

Figure 5-36. 338 Keyboard test display.

CHECK 2. KEYBOARD

1. Keyboard operation can be checked with the diagnostics program 0.KBD. To start this program, turn on the power switch while depressing any numeric key until an error message appears on the CRT.
2. When an error message appears, press the START key. The Diagnostics menu will be displayed on the screen. Press 0 to run the KBD test. Refer to Figure 5-36.
3. Press each key individually and observe the CRT display to make sure the corresponding rectangle blinks. Press the STOP key last. The keyboard generates an interrupt and corresponding key code for the MPU when any key except the STOP key is pressed. The MPU reads the key code upon receiving the interrupt from the keyboard and blinks the corresponding rectangle in the key array displayed on the screen. This test provides a check to ensure that each key (except the STOP key) is sending the correct key code to the MPU. The STOP key is used to exit this program; thus the STOP key's function can be checked at the end of this test.

CHECK 3. CRT

Refer to Figures 5-37, 5-38, 5-39, and 5-40.

1. The CRT can be visually checked with the diagnostic program 1.CRT. To start this diagnostic program, turn on the power while pressing any numeric key until an error message is displayed on the CRT.
2. When an error message is displayed, press the START key. When the Diagnostics menu is displayed on the screen, select #1 for CRT.

The CRT test generates the following types of patterns for the CRT adjustment and visual check.

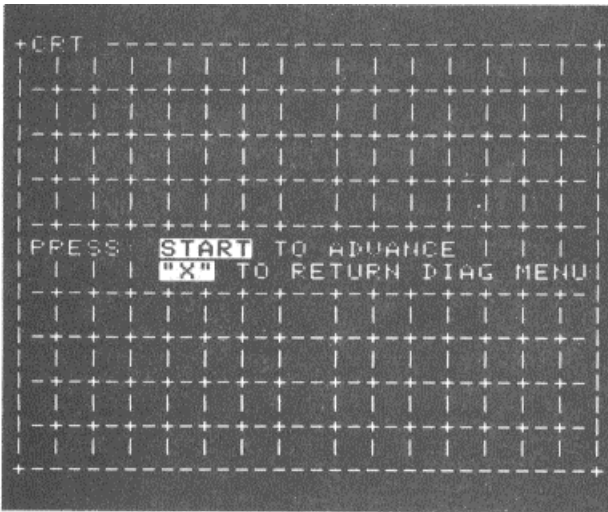
Cross-hatch pattern (Figure 5-37). Used to adjust the CRT circuit.

White pattern (Figure 5-38). Used to check for phosphor defects.

All character fonts for Parallel Analyzer mode (Figure 5-39). Used to check the CRT circuit and the CROM for parallel analyzer operations.

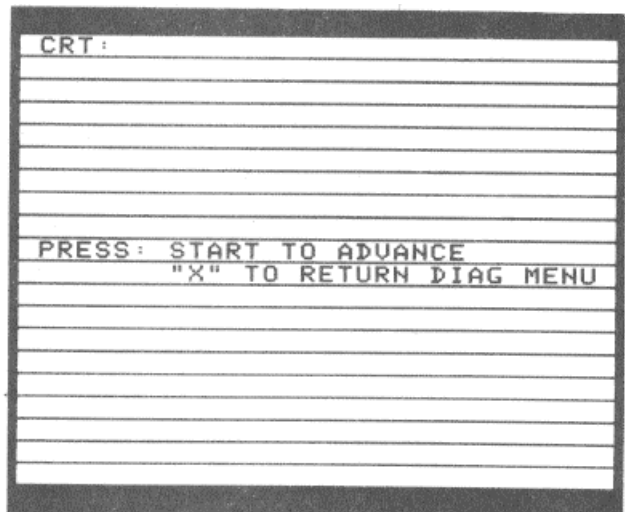
All character fonts for Serial Analyzer mode (Figure 5-40). Used to check the CRT circuit and the CROM for serial analyzer operations.

3. Press the X key to return to the Diagnostic menu.



4433-08

Figure 5-37. 338 CRT test cross-hatch pattern.



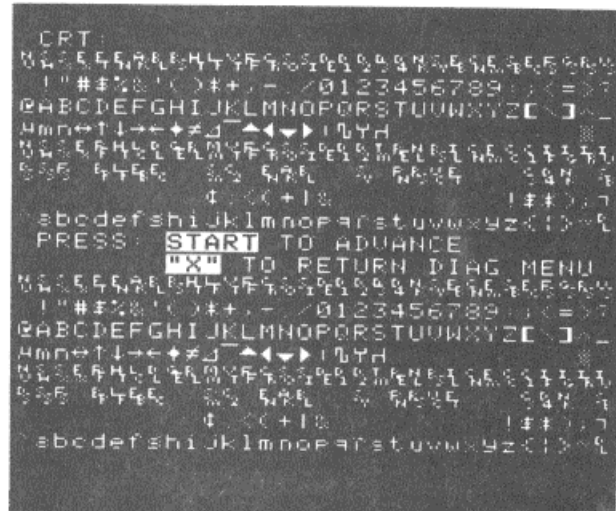
4433-09

Figure 5-38. 338 CRT test white pattern.



4433-10

Figure 5-39. 338 CRT test parallel acquisition character fonts..



4433-11

Figure 5-40. 338 CRT test serial acquisition character fonts.

CHECK 4. THRESHOLD VOLTAGE

1. Connect all the data and ground leads of the P6451 Parallel Data probes (Pods A through D) together and connect them to the instrument ground.
2. Press the THRESHOLD menu key (normal operating mode).

Threshold Level TTL

- a. Set INPUT Thresholds to TTL for Pods A through D.
- b. Press the START key. The trigger position (indicated by T) will be displayed on the screen. The trigger position will be <T= 7W>, <T = 127W>, or <T = 247W> depending on the trigger position setting in the Trigger menu (begin, center, or end).
- c. Check that all data acquired are O's.

Threshold Level V1

- a. Set Threshold LEVEL V1 to +0.3 V.
- b. Set Pods A through D equal to V1.
- c. Press the START key. The trigger position displayed on the screen will be <T=7W>, <T=127W>, or <T=247W> depending on the trigger position setting in the Trigger menu.
- d. Check that all data acquired are O's.
- e. Set Threshold LEVEL V1 to -0.3 V.
- f. Press the START key. The trigger position displayed on the screen will be <T=7W>, <T=127W>, or <T=247W> depending on the trigger position setting in the Trigger menu.
- g. Check that all data acquired are l's.

Threshold Level V2

- a. Set Threshold LEVEL V2 to +0.3 V.
- b. Set Pods A through D equal to V2.
- c. Press the START key. The trigger position is displayed on the screen will be <T=7W>, <T=127W>, or <T=247W> depending on the trigger position setting in the Trigger menu.
- d. Check that all data acquired are O's.
- e. Set Threshold LEVEL V2 to -0.3 V.
- f. Press the START key. The Trigger position displayed on the screen will be <T=7W>, <T= 127W>, or <T=247W> depending on the trigger position setting in the Trigger menu.
- g. Check that all data acquired are 1's.

Threshold Level V3

- a. Set Threshold LEVEL V1 to +2.0V and V2 to -1.5 V.
- b. Check that the Threshold LEVEL V3 is +0.25 V.
- c. Set Pods A through D equal to V3.
- d. Press the START key. The trigger position displayed on the screen will be <T=7W>, <T=127W>, or <T=247W> depending on the trigger position setting in the Trigger menu.
- e. Check that all data acquired are O's.
- f. Set Threshold LEVEL V1 to -2.0 V and V2 to +1.5 V.
- g. Check that Threshold LEVEL V3 is -0.25 V.
- h. Press the START key. The trigger position displayed on the screen will be <T=7W>, <T= 127W>, or <T=247W> depending on the trigger position setting in the Trigger menu.
- i. Check that all data acquired are I's.

CHECK 5. PARALLEL ANALYZER CHECK WITH TEST OUTPUT

1. Parallel Data Acquisition

- a. Power up the 338 and connect the P6107 External Clock probe tip to TEST OUTPUT-C on the right side panel. See Figure 5-41.
- b. Connect the data leads of the P6451 Parallel Data probe in Pod-A to TEST OUTPUT as follows:

P6451 Channel	TEST OUTPUT
G	G
0	0
1	1
2	2
3	3
4	4
5	5
6	6
7	7
Q	Not Connected

- c. Setup the 338 as follows:

SETUP MENU

PLR		
GROUP	G1	ON = AAAAAAAA 76543210
	G2	OFF
	G3	OFF
	G4	OFF

THRESHOLD MENU

LEVEL	V1 =	+1.3V
	V2 =	-1.3V
INPUT		
	EXT CLK =	TTL
	POD A =	TTL
	POD B =	TTL
	POD C =	TTL
	POD D =	TTL

TRIGGER MENU

Source	INT TRIG	
CLK	EXTT	
TRIG	IMMEDIATELY	
POSN	DELAY	
	00124	
Events	00064*WA FLW'D BY:WB RESET ON:WC	
GLITCH	7 6 5 4 3 2 1 0	
POD A	OFF	
QUALIFIERS (POD)		
A OFF	B OFF	C OFF D OFF

d. Set trigger words as follows:

WA	XXXXXX11 _{binary}
WB	10000001 _{binary} (81 _{hex})
WC	10000000 _{binary} (80 _{hex})

e. Press the START key.

f. Check that data the acquired for the corresponding Pod is a decrementing pattern FF_{hex} through 00_{hex} starting at position 0. Check that the trigger word (indicated by T) is 81_{hex} at position 126.

g. Disconnect the 10-terminal plug from the probe head of the P6451 Parallel Data probe in Pod A (leave the 10-terminal plug connected at TEST OUTPUT).

h. Push the 10-terminal plug into the socket on the probe head of the P6451 Parallel Data probe in Pod B.

Select the SETUP Menu and set GROUP G1 = B B B B B B B B
7 6 5 4 3 2 1 0

Repeat steps (e) and (f) for Pod B.

i. Disconnect the 10-terminal plug from the probe head of the P6451 Parallel Data probe in Pod B and connect it to the probe head in Pod C.

Select the SETUP Menu and set GROUP G1 = C C C C C C C C
7 6 5 4 3 2 1 0

Repeat steps (e) and (f) for Pod C.

j. Disconnect the 10-terminal plug from Pod C and connect it to Pod D.

Select the SETUP Menu and set GROUP G1 = D D D D D D D D
7 6 5 4 3 2 1 0

Repeat steps (e) and (f) for Pod D.

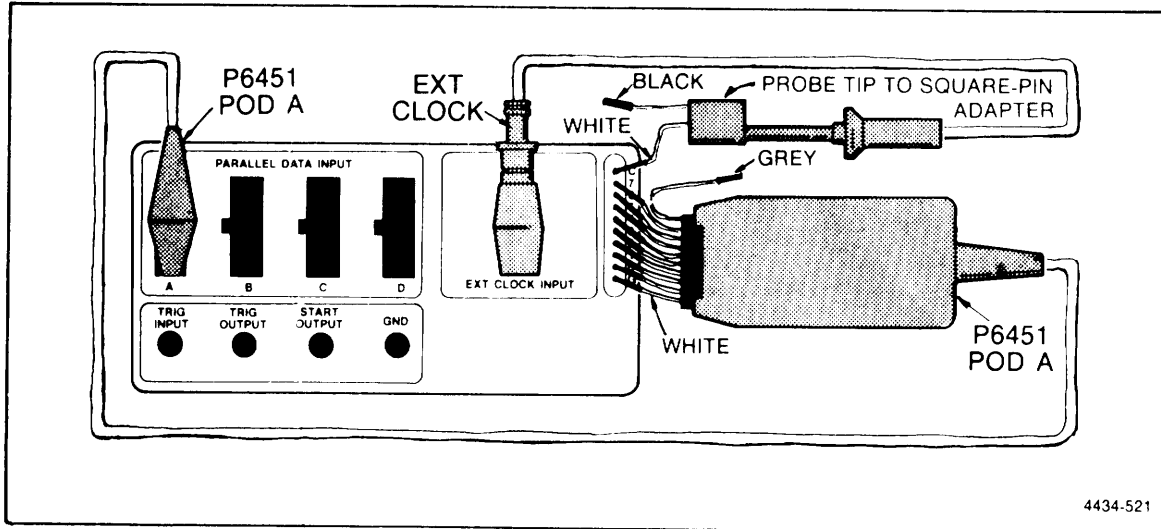


Figure 5-41. 338 Parallel data acquisition check setup.

2. 20 MHz Acquisition

- a. Repeat steps (b) through (d), below, for each Pod (A through D). Change probe connections and SETUP Menu accordingly.
- b. Set CLK to 50 ns, and set the trigger position to DELAY 00250.
- c. Press the START key.
- d. Check that the data acquired for each Pod contains about 200 words of 81 hex, starting at position 0, and that the rest of the words are all 80_{hex}.

3. EXT TRIGGER Check

- a. Refer to Figure 5-42. Power up the 338 and connect the data leads of the P6451 Parallel Data probe in Pod A to TEST OUTPUT as follows:

P6451 Channel	TEST OUTPUT
G	G
0	0
1	1
2	2
3	3
4	4
5	5
6	6
7	Not Connected
Q	Not Connected

- b. Connect TRIG INPUT on the right side panel to TEST OUTPUT-7. A second lead set and a #22-gauge wire strap may be used, by connecting one lead to OUTPUT-7 and then inserting wire between the comb lead's end and the TRIG INPUT jack. Oversize wire will damage the connectors.

c. Set up the 338 as follows:

```

SETUP MENU
  PLR
  GROUP      G1      ON - AAAAAAAA
              76543210
              G2      OFF
              G3      OFF
              G4      OFF

THRESHOLD MENU
  LEVEL      V1 =    +1.3V
              V2 =    -1.3V

  INPUT
              EXT CLK =  TTL
              POD A =   TTL
              POD B =   TTL
              POD C =   TTL
              POD D =   TTL

TRIGGER MENU
  Source     INT TRIG
  CLK        10 μs
  TRIG       IMMEDIATELY
  POSN       DELAY
              00250

  EXT TRIG POL   = ↑

  QUALIFIERS (POD)
  A OFF   B OFF   C OFF   D OFF
    
```

- d. Press the START key.
- e. Check that all data acquired for Pod A is a repetitive, decrementing pattern from 7F_{hex} to 00_{hex}, and that the trigger word (indicated by T) is 7F at position 0, with <T = 0 ♦> showing in the lower-right corner in the display.
- f. Set EXT TRIG POL to ↓.
- g. Press the START key.
- h. Check that all data acquired for Pod A is a repetitive, decrementing pattern from 7F_{hex} to 00_{hex}, and that the trigger word (indicated by T) is 7F at position zero, with <T = 0 ♦> showing in the lower-right corner of the display.
- i. Disconnect Pod A from TEST OUTPUT and remove the second 10-terminal lead set.

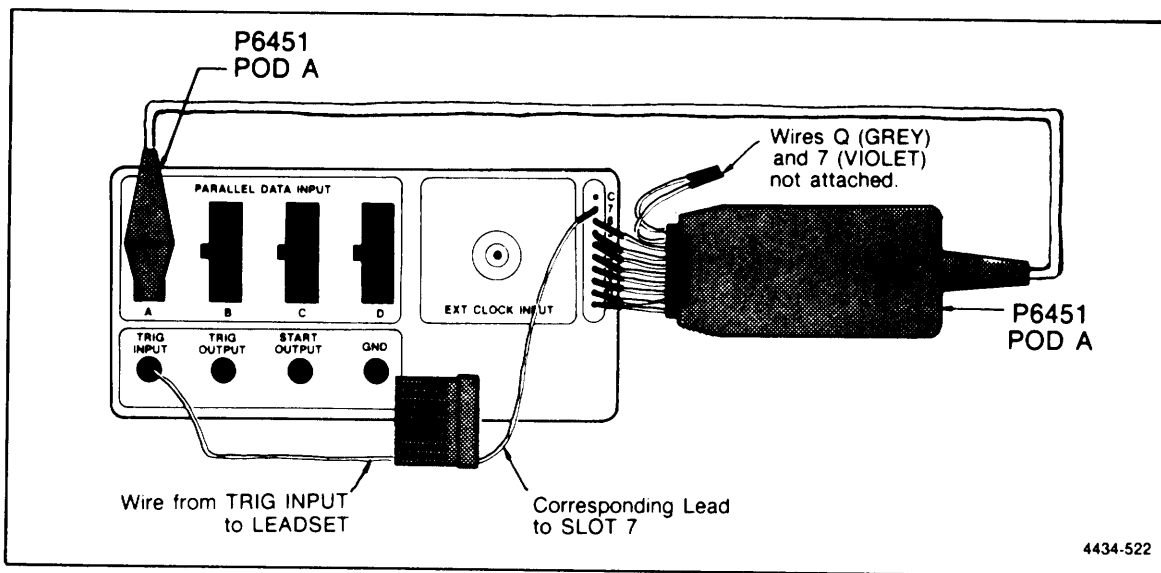


Figure 5-42. 338 External trigger check setup.

4. Trigger Qualifier Check

- a. Refer to Figure 5-43. Power up the 338 and connect the data leads of the P6451 Parallel Data probe in Pod B to TEST OUTPUT as follows:

P6451 Channel	TEST OUTPUT
G	G
0	0
1	1
2	2
3	3
4	4
5	5
6	Not Connected
7	Not Connected
Q	Not Connected

- b. Ground all the qualifier and GND leads of the P6451 Parallel Data probes in all Pods (Pods A through D).
- c. Setup the 338 as follows:

SETUP MENU		
PLR		
GROUP	G1	OFF
	G2	ON = BBBBBBBB 76543210
	G3	OFF
	G4	OFF

THRESHOLD MENU

LEVEL V1 = +1.3V
 V2 = -1.3V

INPUT

EXT CLK = TTL
POD A = TTL
POD B = TTL
POD C = TTL
POD D = TTL

TRIGGER MENU

Source INT TRIG
CLK 10 μ s
TRIG IMMEDIATELY
POSN DELAY
 00189
Events 00004*WA FLW D BY:WB RESET ON:WC

WA = XXXXXX11 *binary*
WB = 0000001 0*binary* (2_{hex})
WC = 00000000*binary* (0_{hex})

GLITCH 76543210
POD A OFF

QUALIFIERS (POD)

A TRG=H B TRG-H C TRG=-H D TRG---H

- d. Press the START key.
- e. Observe that the 338 is never triggered.
- f. Press the STOP key and disconnect the leads at TEST OUTPUT pins #4 and #5.
- g. Connect the qualifier leads of the P6451 Parallel Data probe to Pods A through D as follows:

Qualifier tip of P6451 in Pod TEST OUTPUT

A	7
B	6
C	5
D	4

- h. Press the START key and wait for the acquisition to be completed.
- i. Check that the data acquired for Pod B is a repetitive, decrementing pattern from F_{hex} to 0_{hex} starting at position 0, and that the trigger word (indicated by T) is 02_{hex} at position 61.
- j. Set QUALIFIERS(POD) A through D to TRG-L.
- k. Press the START key and wait for the acquisition to be completed.
- l. Check that the data acquired for Pod B is a repetitive, decrementing pattern from F_{hex} to 0_{hex} starting at position 0, and that the trigger word (indicated by T) is 02_{hex} at position 61.
- m. Disconnect the leads at TEST OUTPUT.

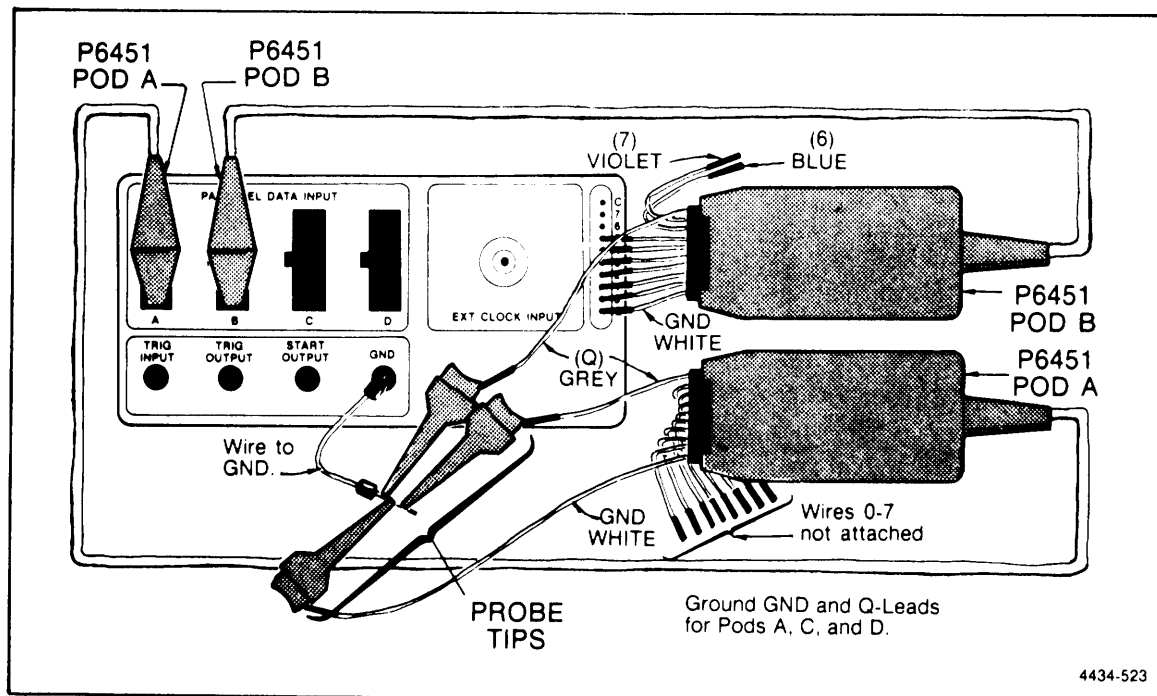


Figure 5-43. 338 Trigger qualifier check setup.

5. Clock Qualifier Check

- a. Power up the 338 and connect the data leads of the P6451 Parallel Data probe in Pod-A to TEST OUTPUT as follows:

P6451 Channel	TEST OUTPUT
G	G
0	Not Connected
1	1
2	2
3	3
4	4
5	5
6	6
7	7
Q	0

- b. Set up the 338 as follows:

SETUP MENU		
PLR		
GROUP	G1	ON = AAAAAA (A0 off) 7654321
	G2	OFF
	G3	OFF
	G4	OFF

TRIGGER MENU

```

CLK          10 μs
TRIG         IMMEDIATELY
POSN         DELAY
              00249
Events       00016*WA FLW'D BY:WB RESET ON:WC;

WA =         XXXXXX 11 binary
WB =         11111110binary (7Ehex)
WC =
GLITCH       76543210
POD A        OFF
    
```

QUALIFIERS (POD)

```

A CLK=L  B OFF  C OFF  D OFF
    
```

- c. Press the START key and wait for the acquisition to be completed.
- d. Check that the data acquired for Pod A is a repetitive, decrementing pattern from 7F_{hex} to 00_{hex}, starting at position 0, and that the trigger word (indicated by T) is 7E_{hex} at position 1.
- e. Set the QUALIFIERS(POD) for Pod A to CLK=H.
- f. Press the START key and wait for the acquisition to be completed.
- g. Check that the data acquired for Pod A is a repetitive, decrementing pattern from 7F_{hex} to 00_{hex} starting at position 0, and that the trigger word (indicated by T) is 7E_{hex} at position 1.
- h. Disconnect the 10-terminal plug from the probe head of the P6451 Parallel Data probe in Pod A. Connect the 10-terminal plug into the socket of the Pod B probe head.

```

Select the SETUP Menu and set GROUP G1 = B B B B B B B
              7 6 5 4 3 2 1 0
    
```

- i. Disconnect the 10-terminal plug from the probe head of the P6451 Parallel Data probe in Pod B and connect it to the socket of the Pod C probe head.

```

Select the SETUP Menu and set GROUP G1 = C C C C C C C
              7 6 5 4 3 2 1 0
    
```

Repeat steps (c) through (g) for Pod C.

- j. Disconnect the 10-terminal plug from the Pod C P6451 probe head and insert it into the Pod D P6451 probe head.

```

Select the SETUP Menu and set GROUP G1 = D D D D D D D
              7 6 5 4 3 2 1 0
    
```

Repeat steps (c) through (g) for Pod C.

CHECK 6. GLITCH DATA ACQUISITION USING TEST OUTPUT

- 1. Power up the 338 and connect the data leads of the P6451 Parallel Data probe in Pod-A to TEST OUTPUT as follows:

P6451 Channel	TEST OUTPUT
G	G
0	0
1	1
2	2
3	3
4	4
5	5
6	6
7	7
Q	Not Connected

2. Setup the 338 as follows:

SETUP MENU

```

PLR
GROUP      G1          ON = AAAAAAAA
              76543210
              G2          OFF
              G3          OFF
              G4          OFF
  
```

TRIGGER MENU

```

CLK          10 ms
TRIG         IMMEDIATELY
POSN         DELAY
              00250
Events       00000*WA OFF:WB OFF:WC

GLITCH       76543210
POD A        ON ♦
  
```

QUALIFIERS (POD)

```

A OFF  B OFF  C OFF  D OFF
  
```

3. Press the START key and wait for the acquisition to be completed.
4. Check that all the data for Pod A is displayed in inverse video in the GLITCH SRCH mode. Check that the GLITCH trigger flag, indicated by <T = 0♦>, is showing in the lower-right corner of the screen.
5. Repeat steps 3 through 4 for glitch triggers A6 through A0. Glitch triggering must be checked one channel at a time for the test to be valid.

CHECK 7. SERIAL STATE ANALYZER CHECK FOR THE 338S1

1. Serial Data Acquisition and RS-232C Control

- a. Connect test setup as shown in Figure 5-44.
- b. Set terminal character format to 8 bits per character.
- c. Set the POWER switch to ON and press the SETUP key after the diagnostics program has run.
- d. Set major mode to SERIAL and press the EXECUTE key.
- e. Set the baud rate and parity to match the terminal status, and press the THRESHOLD key.
- f. Set the data threshold to V3 (0.00 V), press the TRIGGER key.
- g. Set the trigger mode to IMMEDIATELY, and press the DATA key.
- h. Press the START key.

- i. Press the A key on the terminal keyboard 10 times.
- j. Press the STOP key.
- k. Check that the acquisition data matches 10 bytes of ASCII A on the screen.

2. Remote Control Operation

- a. Connect the test setup as shown in Figure 5-45.
- b. Set the terminal character format to 8 bits per character, even parity (on the 4025, type *!parity even*). Set the echo mode to remote.
- c. Set the POWER switch to ON and press the SETUP key after the diagnostics program has run.
- d. Set the source mode to RMT, and press the EXECUTE key.
- e. Set the RS-232 baud rate to match that of the terminal.
- f. Press the START key.
- g. Key in the IDENT command from the terminal and wait for a prompt.
- h. Key in the REF? command from the terminal and wait for a prompt.
- i. Check that the reference data is a repeating 00 FF pattern on the terminal screen.
- j. Press the STOP key to stop remote control.
- k. Disconnect the setup.

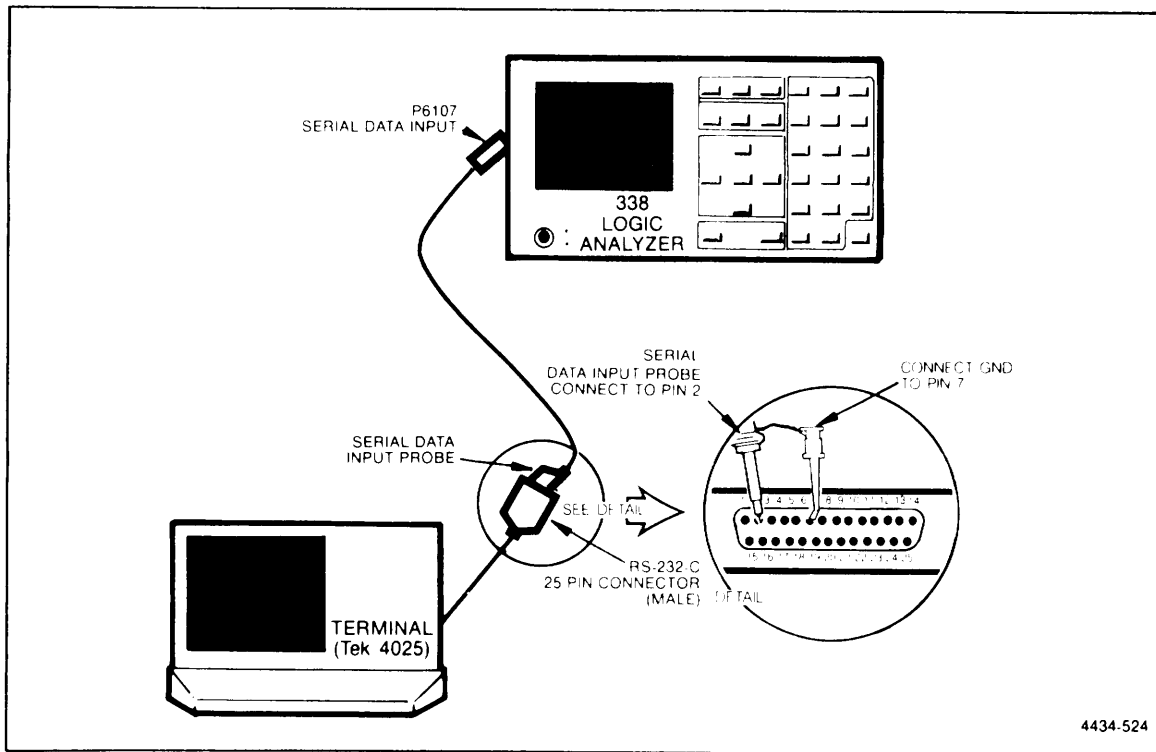


Figure 5-44. 338 Setup for serial data analysis.

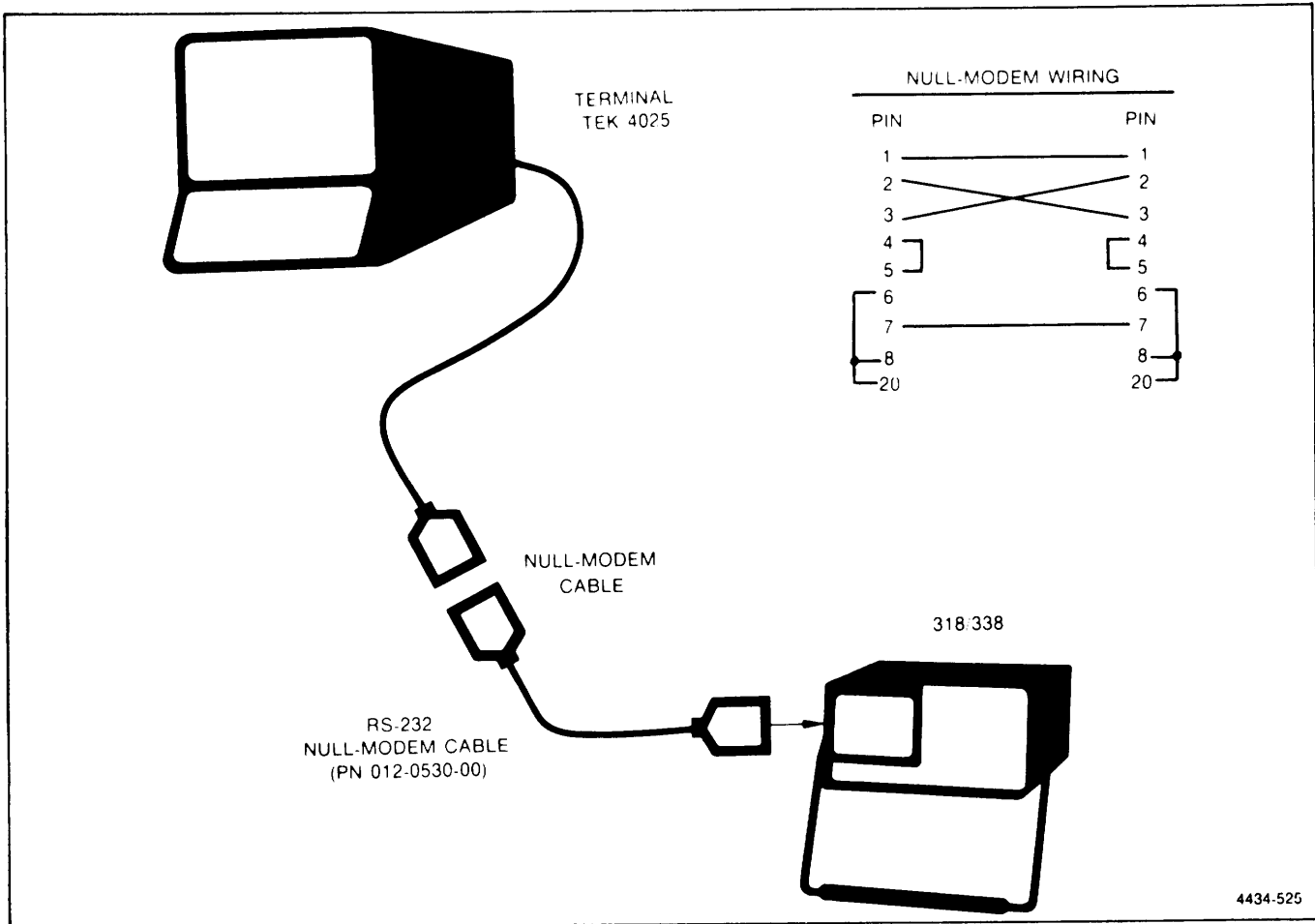


Figure 5-45. 338 Setup for RS-232C control.

ADJUSTMENT PROCEDURES FOR THE 338

INTRODUCTION

This section contains the Adjustment Procedures for the 338 Logic Analyzer. Information on the Adjustment Procedures for the 318 Logic Analyzer is located in the first part of Chapter 5; refer to the page-edge tabs for help in locating 318 information.

This section contains procedures for adjusting instrument variables so that the instrument meets or exceeds performance specifications. If the instrument does not meet or exceed specifications after these procedures have been followed, repair is necessary.

IMPORTANT-PLEASE READ BEFORE USING THIS PROCEDURE

PURPOSE

The Adjustment Procedure provides a sequence for adjustments. It is not a troubleshooting guide or a verification procedure. The Adjustment Procedure is divided into sub-sections that describe adjustments for one particular board or set of boards in the 338.

LIMITS AND TOLERANCES

All limits and tolerances given in this procedure are adjustment guides. They should not be interpreted as instrument specifications unless they are also found in the Specifications part of this manual.

Tolerances given are for the instrument under test and do not include test equipment error.

EQUIPMENT REQUIRED

The equipment, or equivalent, listed at the beginning of this Adjustment and Verification Procedures section in Table 5-1, is necessary to complete all the adjustment procedures. A partial list of equipment needed for each individual check and adjustment is also shown at the beginning of each procedure. The specifications given in Table 5-2 are the minimum necessary to produce accurate results. Therefore, related equipment must meet or exceed the listed specifications. Detailed instructions for operating the test equipment are not offered in this manual. Refer to the manual for the specific piece of test equipment you are using if more information is required.

EQUIPMENT ALTERNATIVES

When equipment other than recommended test equipment is substituted, control settings or adjustment setups may need to be altered. If the exact equipment listed in Table 5-1 is not available, check the Minimum Specification column in Table 5-2 carefully to see if any other equipment will suffice.

ADJUSTMENT INTERVAL

To ensure correct instrument operation, adjustment should be checked every 1000 hours of operation or every six months, if used infrequently. Before performing the adjustment procedures, perform preventive maintenance as outlined in the Maintenance section.

TEST SEQUENCE

NOTE

These adjustment procedures assume prior knowledge of some aspects of 338 disassembly. If further information is required, refer to the disassembly procedures in Section 6 Maintenance: General Information.

It is necessary to perform the following sequence step by step, because all timings are level-sensitive.

INDEX OF ADJUSTMENT STEPS

Mainframe

1. Power Supplies
2. CRT Circuit
3. Threshold Voltages on the A05 ROM Board

Parallel Analyzer

4. Threshold Voltages on the A02 INPUT-B Board
5. Probe Compensation for the P6107 External Clock Probe
6. EXT CLK T and EXT CLK I Delay
7. RET CLK, WE , ADRS CLK and TRIG CLK Delay and Width

Serial State Analyzer (338S1)

8. Threshold Voltages on the A07 board
9. Input Capacitance and Serial Data Probe Compensation (40 pf)
10. Non-volatile Memory Battery Backup Threshold

MAINFRAME

1. ADJUST POWER SUPPLIES

Equipment Required 1 Digital Multimeter (DMM)
--

When performing the following procedures, make sure that all probes are connected properly.

1. Refer to Figure 5-46. Remove the 338 wraparound cover.
2. Install P6451 Parallel Data Probes into each of the four PARALLEL DATA INPUT sockets on the right side panel
3. Set the DMM to measure dc voltage.
4. Connect the DMM minus (-) lead to J1 pin #9 (GND) on the A12 Regulator board, located at the bottom rear of the 338.
5. Connect the DMM plus (+) lead to each point starting at -5 V shown in Table 5-13. (Set the DMM range as required.)
6. Adjust the corresponding potentiometer on the A12 Regulator board to set the voltage level within the limit given in Table 5-13.

WARNING

Exposed high voltages are present on the CRT board.

7. Move the DMM plus (+) lead to each point shown in Table 5-14. (Set the DMM range as required.)
8. Check that the DMM readings are within the limits given in Table 5-14.

Table 5-13
338 ADJUSTABLE POWER SUPPLY TOLERANCES

J1 Pin Label	Voltage Limits	Potentiometer
each - 5 V pin	-4.95 V to - 5.05 V	R18 (labeled -5 V)
+5 V pin	+4.95 V to +5.05 V	R 11 (labeled +5 V)
-3.3 V pin	-3.25 V to -3.35 V	R72 (labeled -3.3 V)

Table 5-14
338 NON-ADJUSTABLE POWER SUPPLY TOLERANCES

J1 Pin Label	Voltage Limits
12 V pin	-11.0 V to -13.0 V
+ 12V pin	+11.0V to +13.0V
-3.3 V pin	-1.80 V to -2.20 V

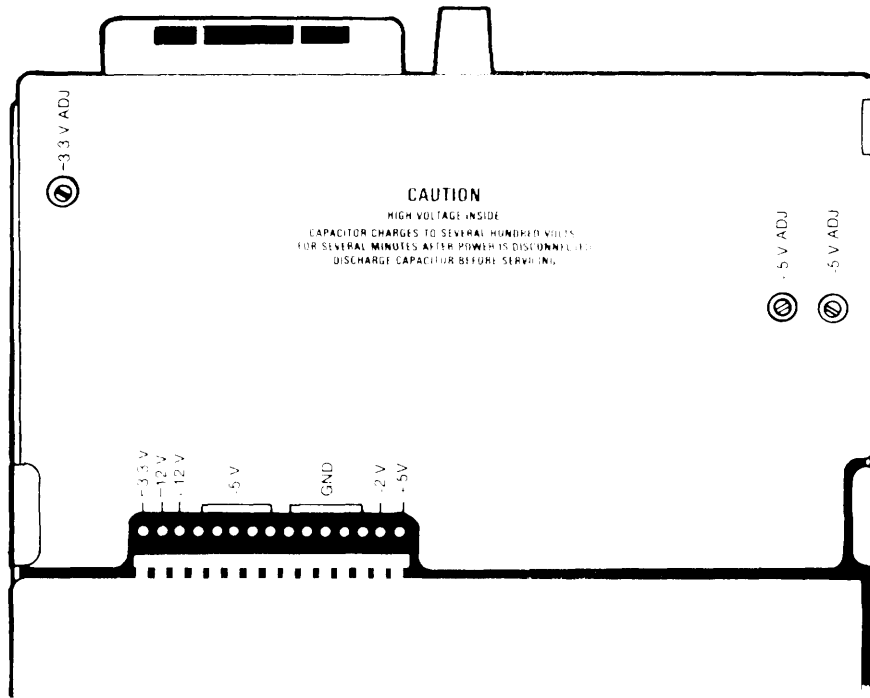


Figure 5-46. 338 Power supply adjustments.

2. ADJUST CRT CIRCUIT

Equipment Required None

Refer to Figure 5-47.

1. Run the diagnostic program 1 CRT to generate a cross-hatch pattern. (To enter the diagnostic, turn on the power while pressing any numeric key until the display appears.)
2. Adjust INTENSITY R245 on the A10 CRT board to midrange. (See left side panel.)
3. Adjust INTENSITY LIMIT (CRT BIAS) R247 on the A10 CRT board for optimum intensity.
4. Press the start key to display a white stripe pattern.
5. Loosen the mounting screw of L150 (yoke coil).
6. Rotate L150 so that the display is properly aligned in the window.
7. Tighten the setting screw of L150.
8. Adjust the magnets on L150 on the CRT ring to center the display.
9. Adjust V-SIZE R015 until the display borders are about 2 mm inside the display window frame.
10. Adjust V-LINEARITY R031 for optimum display.
11. Press X to return to the Diagnostic menu.

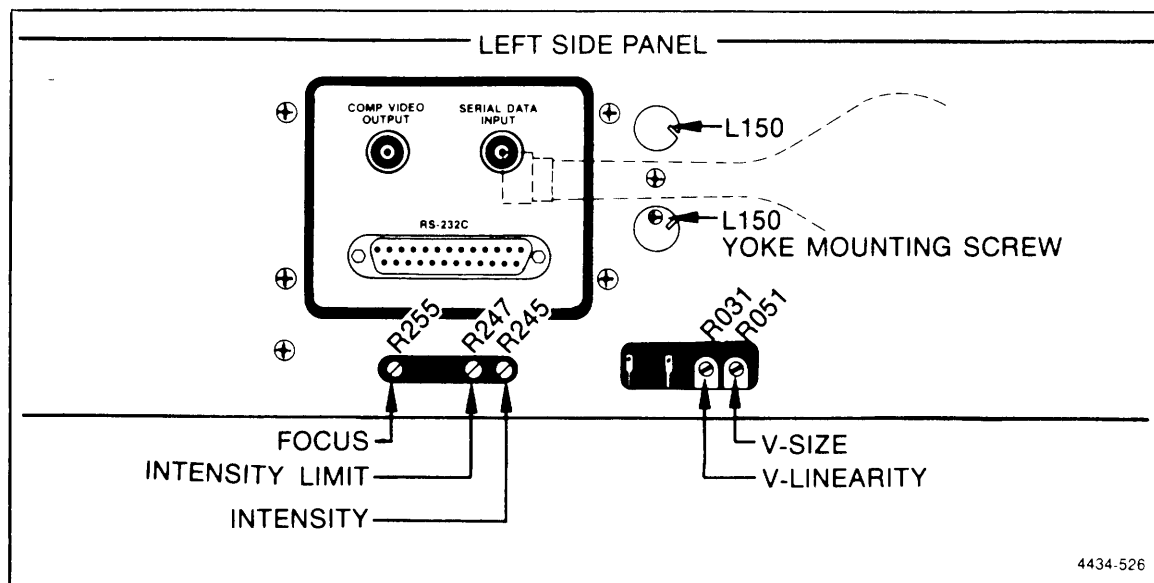


Figure 5-47. 338 CRT adjustment

3. ADJUST THRESHOLD VOLTAGES ON THE A05 ROM BOARD

Equipment Required
1 Digital Multimeter (DMM)

Refer to Figure 5-48.

Reference Voltage Adjustment

1. Make sure that all four P6451 Parallel Data Probes are installed.
2. Set the DMM range to measure about 5V dc.
3. Connect the DMM minus (-) lead to the GND test point on the A05 ROM board.
4. Connect the DMM plus (+) lead to TP64 (REF) on the A05 ROM board.
5. Adjust REF ADJ R064 on the A05 ROM board for a DMM indication of $3.200 \pm 0.010V$.

Threshold VA 0-VOLT Adjustment

1. Press the THRESHOLD key (normal operating mode).
2. Set Threshold LEVEL V1 to 0.0 V.
3. Press the START key.
4. Move the DMM plus (+) lead to TP78 (V1/4) on the A05 ROM board.
5. Adjust VA O-VOLT ADJ R78 on the A05 ROM board for a DMM indication of $0.000 \pm 0.010 V$.
6. Press the STOP key.
7. Set Threshold LEVEL V1 to +10.0 V.
8. Press the START key.
9. Check that the DMM reading is $+2.500 \pm 0.010 V$.
10. Press the STOP key.
11. Set Threshold LEVEL V1 to -10.0 V.
12. Press the START key.
13. Check that the DMM reading is $-2.500 \pm 0.010V$.
14. Press the STOP key.

Threshold VB 0-VOLT Adjustment

1. Set Threshold LEVEL V2 to 0.0 V.
2. Press the START key.
3. Move the DMM plus (+) lead to TP88 (V2/4) on the A05 ROM board.

4. Adjust VB O-VOLT ADJ R088 on the A05 ROM board for a DMM indication of 0.000 ± 0.010 V.
5. Press the STOP key.
6. Set Threshold LEVEL V2 to +10.0 V.
7. Press the START key.
8. Check that the DMM reading is $+2.500 \pm 0.010$ V.
9. Press the STOP key.
10. Set Threshold LEVEL V2 to -10.0 V.
11. Press the START key.
12. Check that the DMM reading is -2.500 ± 0.010 V.
13. Press the STOP key.
14. Disconnect the test leads.

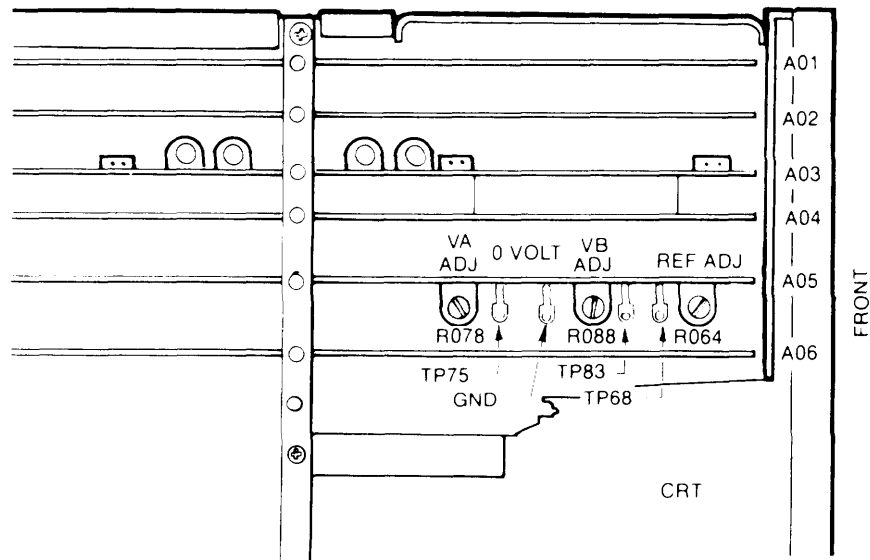


Figure 5-48. 338 Threshold voltage adjustment on the ROM board.

PARALLEL ANALYZER

4. ADJUST THRESHOLD VOLTAGES ON THE A02 INPUT-B BOARD

Equipment Required 1 Regulated DC Power Supply 1 Digital Multimeter (DMM) 1 Oscilloscope

Refer to Figure 5-49.

NOTE

Before starting the following procedures, make sure that all probes are connected properly.

EXT CLK Threshold Adjustment**Setup**

1. Make sure that all four P6451 Parallel Data Probes are connected.
2. Connect the oscilloscope channel 1 probe tip to TP100 on the A01 INPUT-A board.
3. Set the oscilloscope triggering source to channel 1 and the sweep rate to 1 AS/div.
4. Set the EXT CLK Threshold to V1.
5. Set CLK to EXTT.
6. Select the Trigger menu and set the EVENTS field to 00000:WA OFF:WB OFF:WC. This will cause the 338 to acquire data without triggering.

DC Balance

1. Ground the P6107 External Clock probe tip.
2. Set Threshold LEVEL V1 to 0.0 V.
3. Press the START key.
4. Turn EXT CLK DC BALANCE R284 on the A02 INPUT-B board to the counterclockwise end.
5. Turn R284 clockwise slowly while observing the oscilloscope waveform and mark the point where the waveform moves from stationary-high level to stationary-low level.
6. Then turn R284 to the clockwise end.
7. Turn R284 counterclockwise slowly while observing the oscilloscope waveform and mark the point where the waveform moves from stationary-low level to stationary-high level.
8. Adjust R284 to the center position between the points you marked in procedures (5) and (7).
9. Press the STOP key.

DC Gain

1. Connect the P6107 External Clock probe ground clip to the power supply minus (-) terminal.
2. Connect the P6107 External Clock probe tip to the power supply plus (+) terminal.
3. Adjust the regulated dc power supply output voltage to + 10.00V as measured by the DVM.
4. Set Threshold LEVEL V1 to +10.0v.
5. Press the START key.
6. Turn EXT CLK DC GAIN R287 on the A02 INPUT-B board to the counterclockwise end.
7. Turn R287 clockwise slowly while observing the oscilloscope waveform and mark the point where the waveform moves from stationary-low level to stationary-high level.
8. Then turn R287 to the clockwise end.
9. Turn R287 counterclockwise slowly while observing the oscilloscope waveform and mark the point where the waveform moves from a stationary-high level to a stationary-low level.
10. Adjust R287 to the center position between the points you marked in procedures (7) and (9).
11. Press the STOP key.

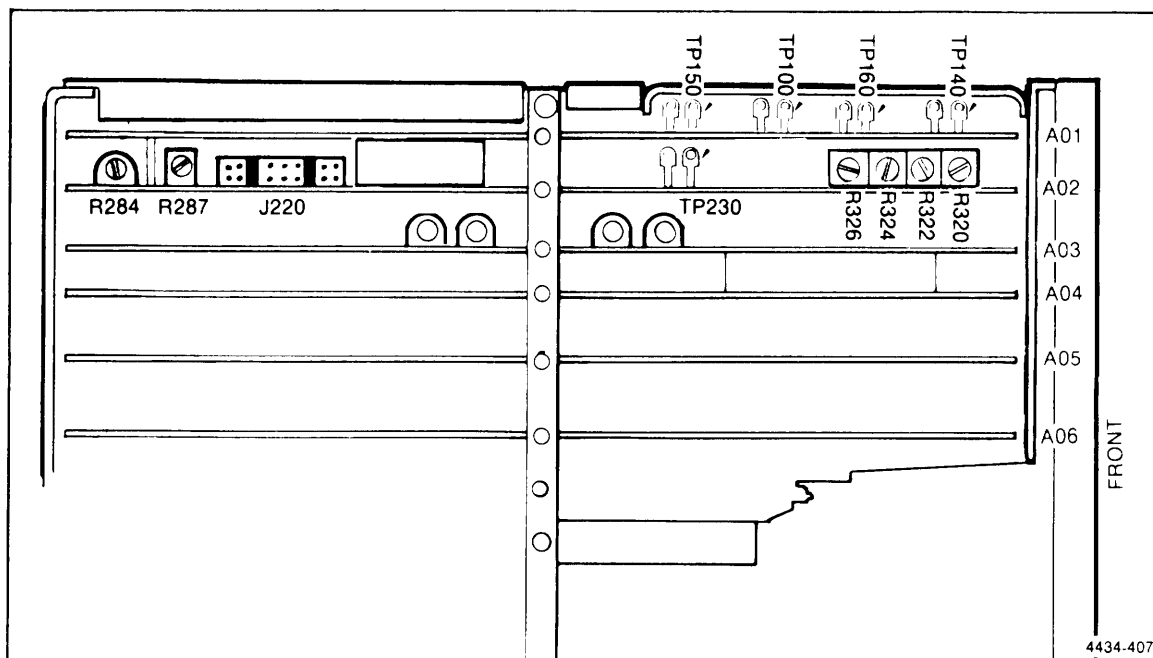


Figure 5-49. 338 Threshold voltage adjustment on the A02 INPUT-B board.

DATA Threshold DC Balance Adjustment

1. Ground all the leads of the P6451 Parallel Data probes in all Pods (A through D).
2. Set Threshold LEVEL V1 to 0.0 V.
3. Set the INPUTs for Pods A through D to V1.

Verification and Adjustment Procedures-318/338 Service

4. Select the Trigger Menu and set Events to: 00000*WA OFF:WB OFF:WC. This will cause the 338 to acquire data without triggering.
5. Set the oscilloscope triggering source to channel 1 and the sweep rate to 1 us/div.
6. Repeat the following procedures, (7) through (14), for PODs A through D.
7. Connect the oscilloscope channel 1 probe tip to the test point shown in Table 5-15.
8. Press the START key.
9. Turn the corresponding Pod-Threshold DC BALANCE on the A02 INPUT-B board in Table 5-15 to the counterclockwise end.
10. Turn this potentiometer clockwise slowly while observing the oscilloscope waveform and mark the point where the waveform moves from stationary-low level to stationary-high level.
11. Turn the potentiometer to the clockwise end.
12. Turn the potentiometer slowly while observing the oscilloscope waveform and mark the point where the waveform moves from stationary-high level to stationary-low level.
13. Adjust the potentiometer to the center position between the points you marked in steps (10) and (12).
14. Press the STOP key.

Table 5-15
338 DATA THRESHOLD DC BALANCE

POD	Test Point	Potentiometer
A	TP230 on A02	R320
B	TP140 on A01	R322
C	TP150 on A01	R324
D	TP160 on A01	R326

5. PROBE COMPENSATION FOR THE P6107 EXTERNAL CLOCK PROBE

Equipment Required None

If you are using a standard 338 Logic Analyzer, you will have one P6107 probe labeled External Clock Probe. This probe needs to be compensated to 20 pF according to the procedure described in Section 3: Operating Instructions. See the Probe Compensation paragraph in the Diagnostic Test Descriptions.

Two nearly identical P6107 probes are supplied with the 338S1 Logic Analyzers; one is the External Clock Probe, and the other is the Serial Data Acquisition Probe. If the probes were supplied as original equipment, they will be labeled as either EXT CLOCK, or SERIAL DATA with a sticker on the compensation box. The External Clock Probe is compensated to 20 pF, and the Serial Data Acquisition Probe is compensated to 40 pF.

If you have purchased replacement probes, or if you are adding the 318F1/338F1 Serial Analysis/RS232C/NVM upgrade kit to a standard 338, you need to choose which probe will be the External Clock Probe and adjust the compensation accordingly.

Probes supplied from the factory are compensated to 40 pF.

The P6107 Serial Data Acquisition Probe has been factory compensated (40 pF) and sealed with a CALIB. sticker. Recompensation must be performed by qualified service personnel only. It is not necessary to compensate this probe. We recommend that you install the colored marker band (supplied) on the probe for identification purposes.

If the P6107 External Clock Probe is a replacement, the compensation must be altered. Remove and discard the CALIB. sticker. Then perform the probe compensation procedure described in the Operating Instructions (Section 3) of this manual. (See Probe Compensation under Diagnostic Test Descriptions.) We recommend that you install the colored marker band (supplied) on the probe to help in identification.

6. ADJUST EXT CLK[↑] AND EXT CLK[↓] DELAY

Equipment Required

- 1 Oscilloscope
- 1 Pulse Generator
- 1 BNC 50 Ω termination
- 1 BNC T-connector
- 2 BNC male-to-Probe-tip adapters
- 1 2 SQR-pin-to-Probe-tip adapter

Refer to Figure 5-50.

Oscilloscope Setup

1. Connect a 50 Ω terminator to the pulse generator OUTPUT. Connect a BNC T-connector to the 50 Ω terminator. Connect the oscilloscope channel 1 probe to one side of the BNC T-connector.
2. Connect the P6107 External Clock probe to the other side of the BNC T-connector.
3. Select the oscilloscope A time base, set the triggering source to channel 1, and the sweep rate to 5 ns/div using X10 MAG, if necessary.
4. Set B DELAY MODE of the A time base to B STARTS AFTER DELAY, and set TRACE SEP to ON, then adjust delta-T to 0.
5. Set the sweep rate of the B time base to 1 ns/div using X10 MAG if necessary.

6. Set the pulse generator as follows:

Termination	BACK TERM (switch pulled out)
Period	0.1 μ s
Duration	10 ns (5 ns X 3)
High level	+0.35 V
Low level	-0.35 V

7. Select the A timebase and place the rising edge of the channel 1 waveform on the center graticule of the oscilloscope screen.
8. Select the B timebase.
9. Connect the oscilloscope channel 2 probe tip to TP100 on the A01 INPUT-A board. Adjust the oscilloscope Channel 2 position so that 0 V GND is 1.2 V above the graticule center level.
10. Set Threshold LEVEL INPUT to V3, and set V3 to 0.00 V.
11. Select the Trigger menu and set the EVENTS field to: 00000*WA OFF:WB OFF:WC. This will cause the 338 to acquire data without triggering.

EXT↑

1. Set CLK to EXT↑.
2. Press the START key.
3. Turn DELAY TIME of the A time base to place the rising edge of the channel 1 waveform on the center graticule.
4. Turn delta-TIME clockwise to obtain the delta-T reading of 25.0 ± 0.1 ns.
5. Adjust EXT↑ DELAY J220 (14 to 20) on the A02 INPUT-B board to place the rising edge of the channel 2 waveform within one division of the graticule, centered on the rising edge of the channel 1 waveform.
6. Press the STOP key.

EXT↓

1. Set CLK to EXT↓.
2. Press the START key.
3. Turn DELAY TIME of the A timebase to place the falling edge of the channel 1 waveform on the center graticule.
4. Turn delta-TIME clockwise to obtain the delta-T reading of 25.0 ± 0.1 ns.
5. Adjust EXT- DELAY J220-2 to 12 on the A02 INPUT-B board to place the rising edge of the channel 2 waveform within one division of the graticule centered on the falling edge of the channel 1 waveform.
6. Press the STOP key, and remove the oscilloscope test leads.

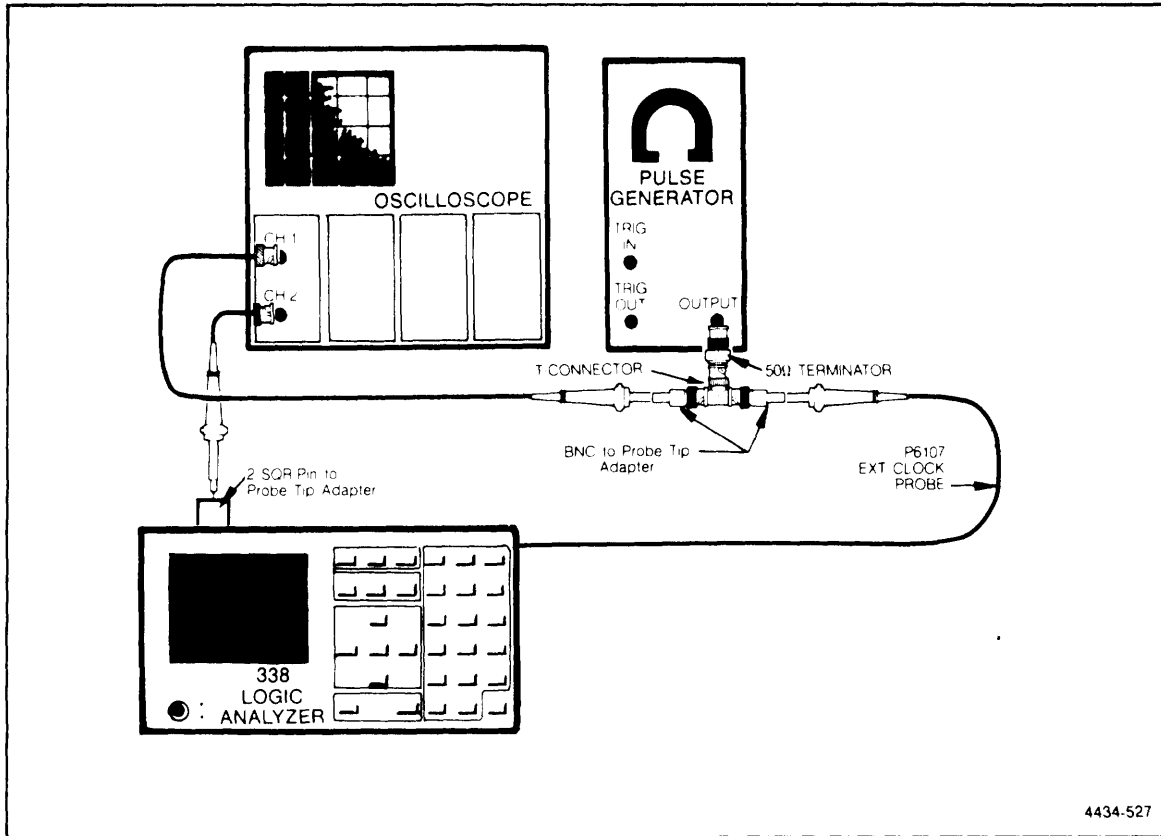


Figure 5-50. 338 Test equipment setup for the clock delay adjustment.

7. ADJUST DELAY OF RET CLK, WE, ADRS CLK AND TRIG CLK

Equipment Required

- 1 Oscilloscope
- 1 Pulse Generator
- 1 BNC 50 Ω termination
- 1 BNC T-connector
- 2 BNC male-to-Probe-tip Adapters
- 1 2 Square-pin-to-Probe-tip Adapter
- 2 Extender Boards
- 2 Board Ejectors

Refer to Figures 5-51 and 5-52.

Equipment Setup

1. Connect a 50 Ω terminator to the pulse generator OUTPUT. Connect a BNC T-connector to the 50 Ω terminator. Connect the oscilloscope channel 1 probe tip to one side of the BNC T-connector.

Verification and Adjustment Procedures-318/338 Service

2. Connect the P6107 External Clock probe tip to the other side of the BNC T-connector.
3. Setup the oscilloscope as follows:

Mainframe	Horizontal Mode B	
7A26	Position	Rising edge at center screen
Channel 1	VOLTS/DIV	20 mv (200 mv with 10X probe)
	Trigger Source	CH 1
	Display Mode	ALT
	Position	0 v at mid screen
Channel 2	VOLTS/DIV	50 mv (500 mv with 10X probe)
	Position	0 v 2.4 divisions above midscreen (-1.4 v at midscreen)
7B85	Slope	+
	Triggering	Mode Coupling Source Auto AC INT
	Magnification	1X
	Hold Off	at minimum
	B Delay Mode	B Starts after DLY
	Time/DIV	50 ns (5 ns with magnification)
	Trace Sep	On, minimum
	Δ Time	zero
7B80	slope	+
	Triggering	Mode Coupling Source Auto AC INT
	Position	rising edge at center screen
	Hold Off	at minimum
	Time/Div	10 ns (1 ns with magnification)

4. Set the pulse generator as follows:

Termination	BACK TERM (switch pulled out)
Period	0.1 μs
Duration 10ns	(5 ns X 2)
High level	+ 0.35V
Low level	-0.35V

5. Select the A timebase and place the rising edge of the channel 1 waveform on the center graticule of the oscilloscope screen.
6. Select the B time base.
7. Turn DELAY TIME of the A time base to place the rising edge of the channel 1 waveform on the center graticule.

Strap Adjustment with Extender Boards

1. Turn off the 338.
2. Remove the A03 ACQ Control board and the A04 ACQ Memory board using the board ejectors.
3. Install two Extender boards into the J03 and J04 connectors.
4. Mount the A03 ACQ Control board and the A04 ACQ Memory board on the top of the Extender boards.
5. Turn on the 338.

13. Adjust the corresponding jumper to place the rising or falling edge (indicated by ↑ or ↓ in Table 5-16) of the channel 2 waveform within one division of the graticule centered on the rising edge of the channel 1 waveform.
14. Press the STOP key.
15. Turn off the 338.
16. Dismount the A03 ACQ Control board and the A04 ACQ Memory board from the Extender boards.
17. Remove the Extender boards from slots A03 and A04.
18. Install the A03 ACQ Control board and the A04 ACQ Memory board into slots A03 and A04 respectively.
19. Turn on the 338.

*Table 5-16
338 CLOCK DELAY WITH EXTENDER*

Clock	Ch 2 Edge	Delay (ns)	Test Point	Jumper
RET CLK	↑	47.60 + 1.00	TP400 (A03)	J200(A03)
WE	↓	55.40 + 1.00	TP200-2(A04)	J300(A03)
TRIG CLK	↑	68.10 1.00	TP500 (A03)	J400(A03)

Capacitor Adjustment

1. Refer to Figures 5-52 and 5-53. Set EXT CLK Threshold to V3 (0.00 V).
2. Set CLK to EXT↑.
3. Set the Events field to: 00000*WA OFF:WB OFF:WC. This will cause the 338 to acquire data without triggering.
4. Press the START key.
5. Repeat the following procedures, (6) through (8), to adjust each clock delay and/or width as shown in Table 5-17.
6. Connect the oscilloscope channel 2 probe tip to the corresponding test point given in Table 5-17.
7. Turn delta-TIME clockwise to obtain the delta-T reading of the clock delay being adjusted in Table 5-17.
8. Adjust the corresponding capacitor to place the rising or falling edge (indicated by a ↑ or ↓ in Table 5-17) of the channel 2 waveform within one division of the graticule centered on the rising edge of the channel 1 waveform.
9. Press the STOP key.
10. Remove the oscilloscope test leads from the test points.

Table 5-17
338 CLOCK DELAY WITHOUT EXTENDER

Clock	CH2 Edge	Delay (ns)	Test Point	Adjustable Capacitor
RET CLK	↑	46.60 + 0.50	TP400 (A03)	C100(A03)
WE	↓	54.40 + 0.50	TP200-2(A04)	C102(A03)
WE	↑	61.40 + 0.50	TP200-2(A04)	C106(A03)
ADRS CLK	↓	61.40 + 0.50	TP200-4(A04)	C104(A03)

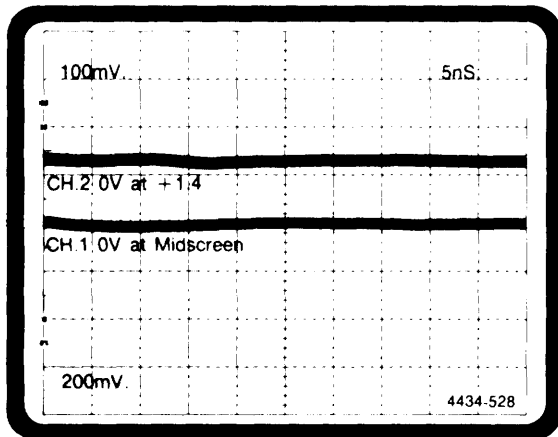


Figure 5-52. 338 Capacitor adjustment oscilloscope setup waveform.

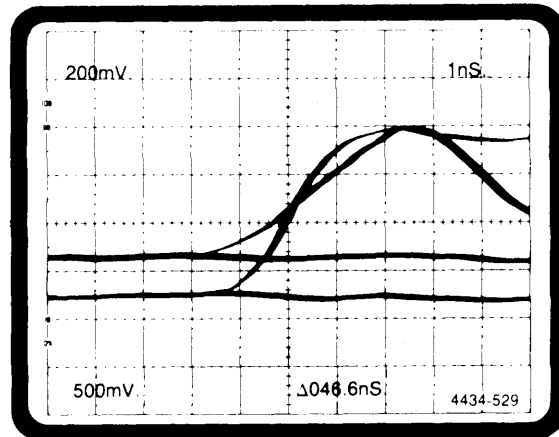


Figure 5-53. 338 Capacitor adjustment waveform.

SERIAL STATE ANALYZER (338S1)

8. ADJUST THRESHOLD VOLTAGES ON THE A07 BOARD

Equipment Required
1 Digital Multimeter (DMM)

Refer to Figures 5-54 and 5-55.

1. Power up the 338.
2. Select the Serial mode (any menu).
3. Set Threshold LEVEL V1 and V2 to 0.0 V
4. Set the DMM range to 2 dc volts.
5. Connect the DMM minus (-) lead to TP200 (GND) on the A07 board.

6. Connect the DMM plus (+) lead to TP11 (threshold) on the A07 board.
7. Select the Threshold menu and set DATA = V1.
8. Press the START key.
9. Measure and record the voltage, V0, at threshold 0 (V0 will be used as a reference later).
10. Connect the P6107 Serial Data probe tip to TP200 on the A07 S1 board.
11. Move the DMM plus (+) lead to TP10 on the A07 S1 board.
12. Adjust DC BALANCE R23 on the A07 S1 board for a DMM indication of $V0 \pm 0.001$ V (voltage at threshold 0).
13. Press the STOP key.
14. Select the Threshold menu and set DATA = V2.
15. Press the START key.
16. Check that the DMM indication is $V0 \pm 0.001$ V.
17. Press the STOP key.
18. Select the Threshold menu and set DATA = V3.
19. Press the START key.
20. Check that DMM indication is $V0 \pm 0.001$ V.
21. Press the STOP key.
22. Remove the test leads.

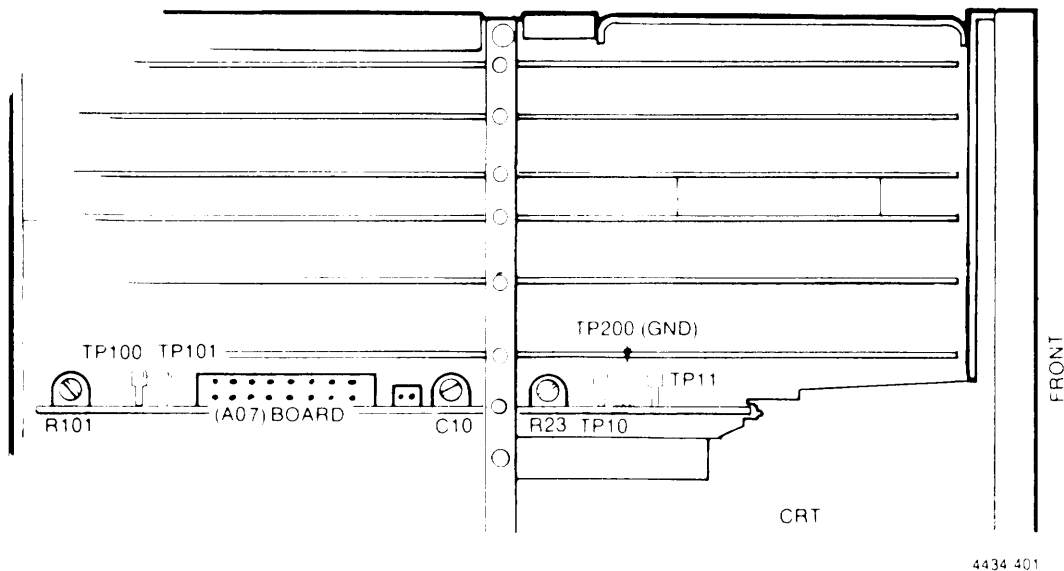


Figure 5-54. 338 Serial Analysis/RS-232C/NVM test point and adjustment locations.

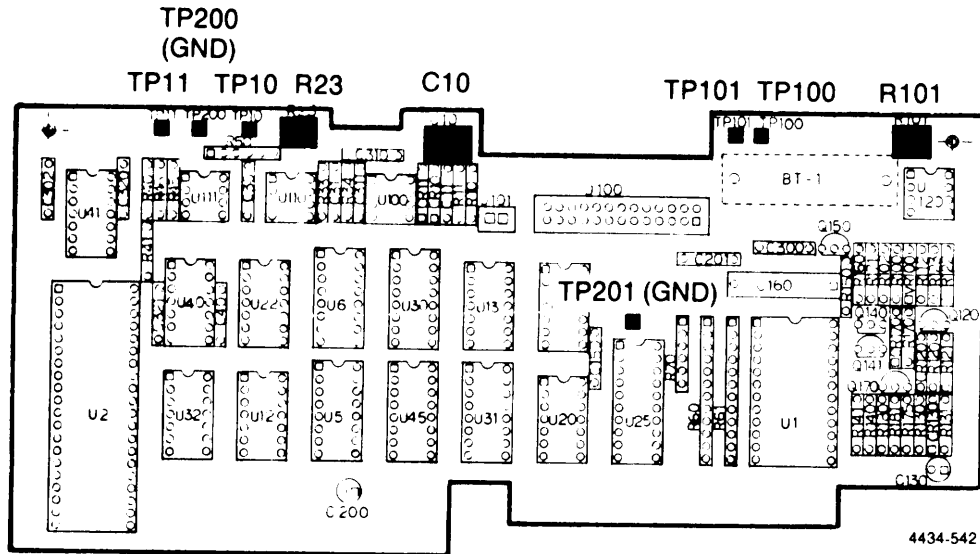


Figure 5-55. 338 Side view of A07 Serial Analysis/RS232C/NVM board.

9. ADJUST INPUT CAPACITANCE AND SERIAL DATA PROBE COMPENSATION, 40 pF

Equipment Required

- 1 Oscilloscope
- 1 Pulse Generator
- 1 1M Ω , 40 pF Normalizer
- 1 BNC T-Connector
- 1 BNC male-to-Probe-tip adapter
- 1 BNC 50 Ω cable

Refer to Figures 5-56 and 5-57.

1. Connect a 40 pF normalizer to the SERIAL DATA INPUT jack on the left side panel. Install a BNC T-connector to the 40 pF normalizer. Connect a 50 Ω cable from the pulse generator OUTPUT to one side of the BNC T-connector.
2. Connect the oscilloscope channel 2 probe tip to the other side of the BNC T-connector.
3. Connect the oscilloscope channel 1 probe tip to TP10 on the A07 S1 board.

4. Set the pulse generator as follows:

BACK TERM	IN
Period	1 ms
Duration	SQ WAVE
High level	+5 V
Low level	-5 V

5. Select the Threshold menu and set V1 and V2 to 0.0 V
6. Set Threshold DATA = V1.
7. Press the START key.
8. Set the oscilloscope controls so that the channel 1 and channel 2 waveforms are superimposed.
9. Adjust C10 COMPENSATION on the A07 Board so that the shape of the CH1 waveform most nearly matches the shape of the CH2 waveform.
10. Press the STOP key.
11. Disconnect the 40 pF normalizer from the SERIAL DATA INPUT jack and from the BNC T-connector.
12. Connect the P6701 Serial Data Probe from the SERIAL DATA INPUT jack to the BNC male T-connector.
13. Remove the P6107 serial data probe calibration seal.
14. Adjust the oscilloscope controls so that the channel 1 and channel 2 waveforms are superimposed.
15. Adjust the probe compensation screw so that waveforms have square corners.
16. Re-install the calibration seal.
17. Mark the probe to indicate 40 pF compensation.
18. Disconnect the test setup.

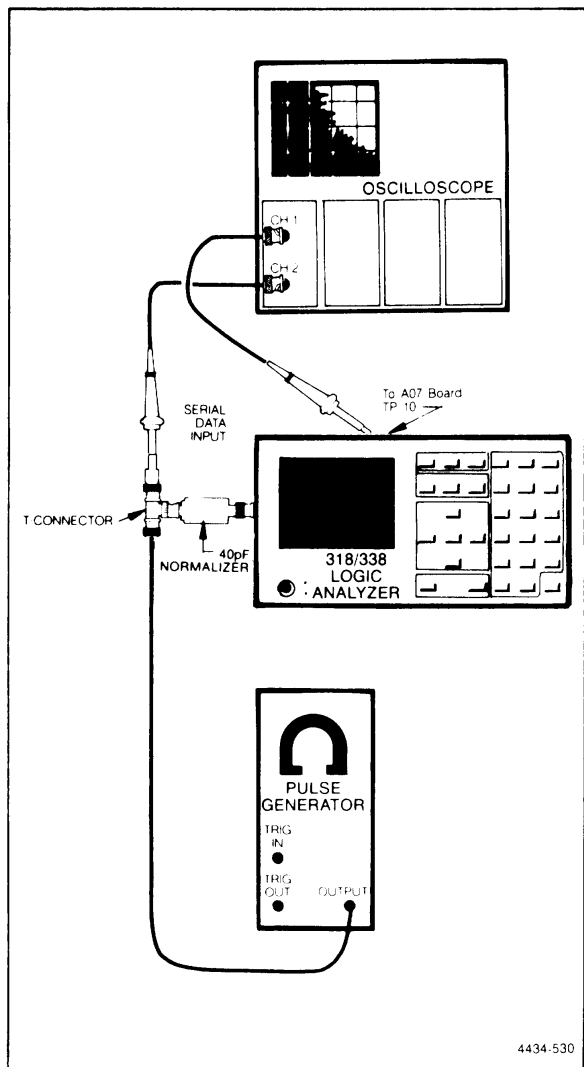


Figure 5-56. 338 Input capacitance adjustment.

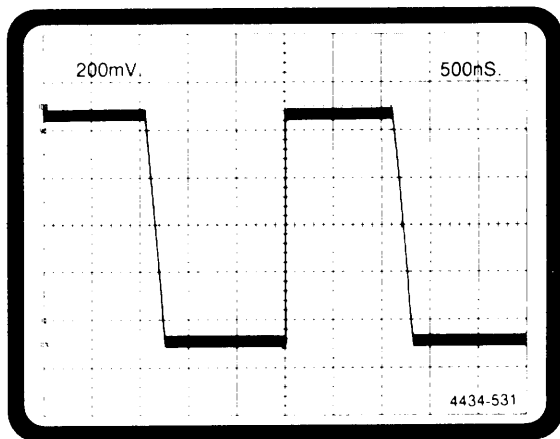


Figure 5-57. 338 Input capacitance waveform.

10. ADJUST NON-VOLATILE MEMORY BATTERY BACKUP THRESHOLD

Equipment Required
 1 Oscilloscope
 1 Digital Multimeter (DMM)

1. Connect the DMM minus (-) lead to TP200 (GND) on the A07 S1 Board.
2. Connect the DMM plus (+) lead to TP101 (+5V) on the A07 Board.
3. Record the voltage measured.

NOTE

This voltage measurement must be recorded. At the end of this procedure, R 11 on the A07 Board will be adjusted to reinstate this voltage reading. If the voltage is not returned to this level, a complete recalibration of the machine may be necessary.

4. Adjust +5V potentiometer R11 on the A12 Regulator board for a DMM indication of 4.65 ± 0.01 V. (To locate R11, see bottom rear of chassis.)
5. Connect the oscilloscope channel 1 probe tip to TP100 on the A07 S1 board.
6. Turn NVM THRESHOLD R101 on the A07 board clockwise until the oscilloscope reading is a stable-low.
7. Adjust NVM THRESHOLD by turning R101 in the opposite direction until the oscilloscope indication rises to a stable-high level.
8. Return +5 V POTENTIOMETER R11 on the A12 REGULATOR Board to a DMM indication equal to that recorded in step (3) above.

PERFORMANCE CHECK FOR THE 338

The Performance Check Procedure provides a detailed check of internal and external product characteristics. These checks can be extensive and time-consuming. Under normal circumstances the Functional Check Procedures will provide an adequate test of product performance in a less costly manner.

The Performance Check Procedure is organized into sets of tests for the mainframe, the acquisition module, each type of the probes and 338S1 Serial Analyzer.

INDEX OF PERFORMANCE CHECKS

Test 1 - Threshold Voltages

Test 2 - Parallel Data Acquisition, Word Recognition, and Trigger Sequencer Checks with External Clock Minimum Period.

Test 3 - Glitch Data Acquisition and Glitch Trigger

Test 4 - Start Output and Trigger Output

Test 5 - External Trigger Input

Test 6 - Serial State Analyzer 338S1

TEST 1 - THRESHOLD VOLTAGES

Equipment Required	Tektronix Equivalent
1 Oscilloscope	7904 with 7A26 and 7B80 plug-in modules
2 Oscilloscope Probes 100X	P6106
1 Pulse Generator	PG502
1 Digital Multimeter (DMM)	DM502
1 Regulated DC Power Supply	PS501
1 BNC T-Connector	103-0030-00
2 BNC male-to-Probe-Tip Adapters	013-0084-02
1 BNC 50 Ω Cable, 18 inches long	012-0076-00
1 BNC 50 Ω Cable, 42 inches long	012-0057-01
2 Flying Lead Sets, 5 in. (short leads)	012-0987-00
1 Test Fixture	See Figure 5-2
1 BNC Female-to-Dual-Banana Adapter	103-0090-00

SETUP

Refer to Figure 5-58.

1. Connect a BNC T-connector to the pulse generator OUTPUT. Connect the P6107 External Clock Probe tip to one side of the BNC T-connector.
2. Connect the oscilloscope channel 1 10X probe tip to the other side of the BNC T-connector.
3. Set the pulse generator as follows:

PERIOD	30 ms
DURATION	SQ WAVE

4. Connect the DMM minus (-) lead to the power supply reference (-) terminal and the (+) lead to the plus (+) terminal.
5. Make sure that the DC Power Supply reference terminal is at the same potential as the 338 ground; this is to prevent excessive current from passing through to the P6451 Probe ground.
6. Connect all the P6451 Probe GND leads for Pods A through D to the power supply reference (-) terminal.

7. Connect all the P6451 Probe DATA leads for Pods A through D to the power supply plus (+) terminal.
8. Power-up and setup 338 as follows:

THRESHOLD MENU

INPUT

EXT CLK = TTL
 POD A = TTL
 POD B = TTL
 POD C = TTL
 POD D = TTL

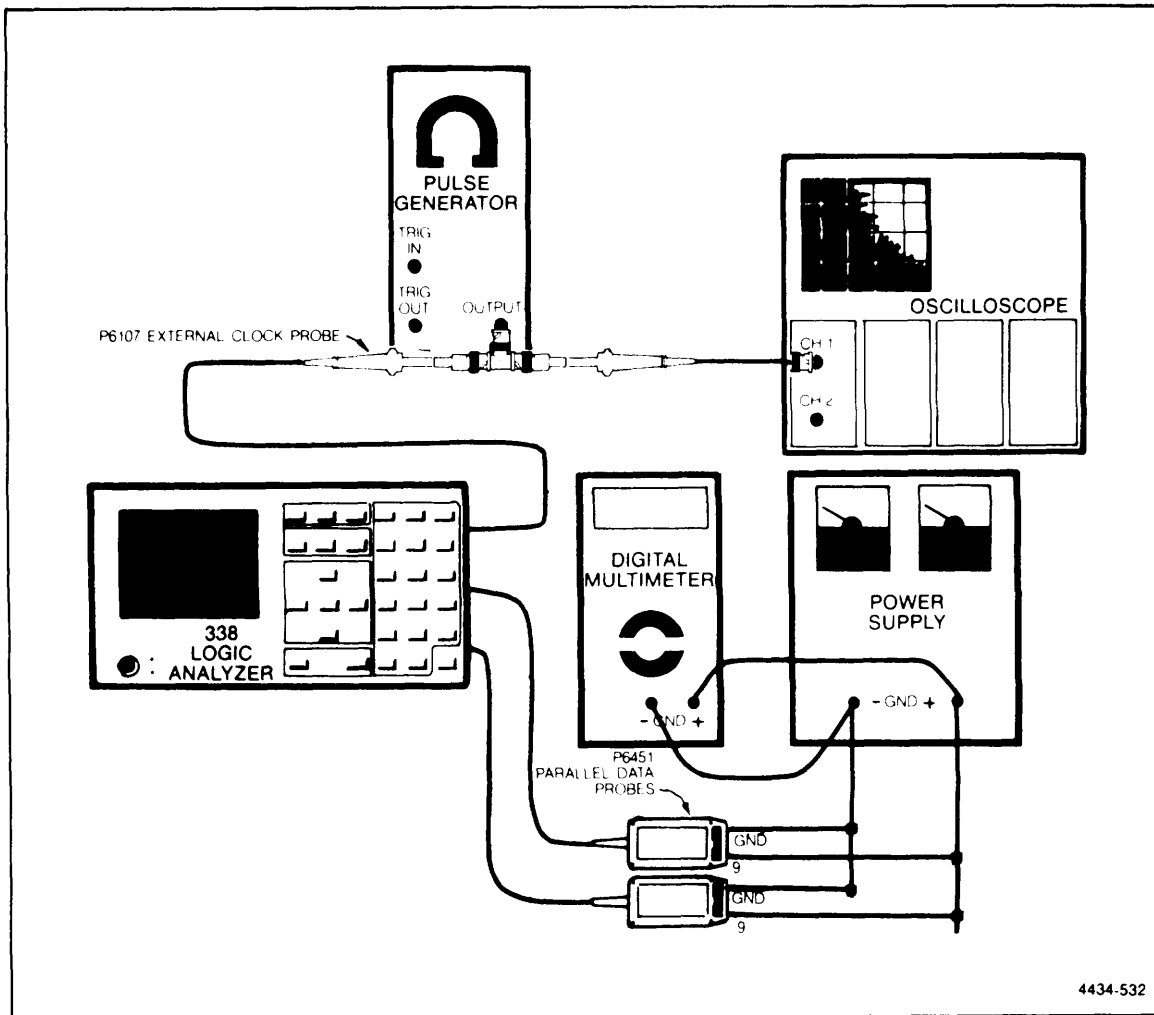
TRIGGER MENU

CLK
 POSN

EXTT
 DELAY
 00249

Events

00001*WA FLW'D BY:WB OFF:WC



4434-532

Figure 5-58. 338 Threshold voltage check setup.

THRESHOLD LEVEL TTL

1. Repeat the following procedures, (2) through (4), for each of the two power supply voltage levels given in Table 5-18.
2. Set the pulse generator output level to that given in Table 5-18 as measured by the oscilloscope. Setup the oscilloscope as follows:
 - a. Set the DVM for +1.40 V.
 - b. Momentarily move the oscilloscope CH1 probe to measure the DVM's + 1.40 V output.
 - c. Set the oscilloscope's vertical VOLTS/DIV to 200 mv (20 mv with 10X probe)
 - d. Adjust the vertical position so that the trace is at midscreen (+1.40 V at midscreen).
 - e. Return the oscilloscope CH1 probe to the pulse generator's BNC T-connector.
 - f. Adjust the pulse generator output so that the signal is 1 1/4 divisions above and 1 1/4 divisions below midscreen (+1.15 V to =1.65 V).
 - g. Set the power supply level to the voltage given in Table 5-18 as measured by the DVM.
3. Press the START key and wait for the acquisition to be complete; make sure that SLOW CLOCK is not displayed on the CRT.
4. Press the DATA key until the STATE TABLE is displayed; check that the data acquired is equal to the Expected Data given in Table 5-18.

Table 5-18
338 VOLTAGE LEVELS FOR TESTING TTL

Power Supply Output (V)	Pulse Generator		Threshold Level			Expected Data
	High (V)	Low (V)	V1 (V)	V2 (V)	V3 (V)	
+1.65	+1.65	+1.15	-----	-----	-----	all Fs (hex)
+1.15	+1.65	+1.15	-----	-----	-----	all Os

THRESHOLD LEVELS V1, V2, AND V3

1. Press the THRESHOLD key.
2. Set the power supply output level, the pulse generator output level, and the Threshold V1, V2, EXT CLK, and Pods A through D levels as shown in Table 5-19.
3. Press the 338 DATA key.
4. Press the START key and wait for the acquisition to be completed; make sure that SLOW CLOCK is not displayed on the CRT.
5. Check to make sure the data acquired is equal to the Expected Data given in Table 5-19.
6. Set the 338 SRCH WORD to equal the Expected Data and then check that the quantity of SRCH words equal 256.
7. Repeat Steps (1) to (6) for each test in Table 5-19.

Table 5-19
338 VOLTAGE LEVELS FOR TESTING Vi, V2, AND V3

Test #	Power Supply Output (V)	Pulse Generator		Threshold Level			Threshold Input Clk A, B	Expected Data
		High (V)	Low (V)	V1 (V)	V2 (V)	V3 (V)		
1	+5.25	+5.25	+4.75	+ 5.0	--	--	V 1	all Fs
2	+4.75	+5.25	+4.75	+5.0	--	--	V 1	all Os
* 3	-4.75	-4.75	-5.25	-5.0	--	--	V 1	all Fs
*4	-5.25	4.75	-5.25	-5.0	--	--	V 1	all Os
5	- 5.25	+5.25	4.75	--	+ 5.0	--	V 2	all Fs
6	+ 4.75	+5.25	+4.75	--	+5.0	--	V 2	all Os
'7	-4.75	-4.75	-5.25	--	-5.0	--	V 2	all Fs
*8	-5.25	4.75	-5.25	--	-5.0	--	V 2	all Os
9	+5.00	+5.00	+4.50	+10.0	--0.5	+4.75	V 3	all Fs
10	+ 4.50	+5.00	+4.50	+10.0	-0.5	+ 4.75	V 3	all Os
11	-t 0.25	+0.25	-0.25	0.0	0.0	0.00	V 3	all Fs
*12	-0.25	+0.25	0.25	0.0	0.0	0.00	V 3	all O s
*13	-4.50	-4.50	-5.00	+0.5	--10.0	-4.75	V 3	all Fs
*14	-5.00	-4.50	-5.00	+0.5	--10.0	-4.75	V 3	all Os

*Make sure that the P6451 probe GND leads connect to the Power Supply Reference terminal; the Reference terminal must be at the same potential as the 338 ground.

TEST 2 - PARALLEL DATA ACQUISITION, WORD RECOGNITION, AND TRIGGER SEQUENCER CHECKS WITH EXTERNAL CLOCK MINIMUM PERIOD

Equipment Required	Tektronix Equivalent
1 Oscilloscope	7904 with 7A26 and 7B80 plug-ins
2 Oscilloscope Probes 10X	P6106
2 Pulse Generators	PG 502
1 Digital Delay	DD501
4 BNC 50 Ω2 terminators	011-0049-01
3 BNC T-Connectors	103-0030-00
3 BNC male-to-probe-tip adapters	013-0084-02
3 BNC elbow male-to-female adapters	103-0031-00
1 BNC female-to-female adapter	103-0038-00
1 BNC male-to-male adapter	103-0029-00

(cont.)

Equipment Required	Tektronix Equivalent
1 BNC 50 Ω Cable 18 inches long	012-0076-00
1 BNC 50 Ω Cable 42 inches long	012-0057-01
1 Test Fixture	See Figure 5-2
4 Flying Lead set 5 in. (short leads)	012-0987-00

Refer to Figures 5-59, 5-60, and 5-61.

1. Connect a 50 Ω terminator to the OUTPUT of the #1 pulse generator. Connect a BNC T-connector to the 50 Ω terminator. Connect the P6107 EXT CLOCK probe tip to one side of the BNC T-connector.
2. Connect the oscilloscope channel 1 10X probe tip to other side of the BNC T-connector.
3. Connect a BNC elbow to the Digital Delay's EVENTS INPUT. Connect a BNC T-connector to the elbow. Connect one side of the T-connector to the #1 pulse generator's + TRIG OUT using an 18 inch BNC cable and a 50 Ω terminator. Connect the other side of the Digital Delay's BNC T-connector to the Digital Delay's START INPUT (see Figure 5-59). Using 2 BNC elbows and a BNC female-to-female connector will help here.
4. Connect the Digital Delay DLY'D TRIG OUT to the #2 pulse generator's +TRIG/DURATION INPUT using a 42-inch BNC cable.
5. Connect all the leads, from Pod A and the Qualifier leads from Pods B, C, and D to the Test Fixture, and then connect the Test Fixture to the #2 pulse generator's OUTPUT. Make sure each P6451 probe GND lead is connected to the Test Fixture ground pins (those pins nearest the BNC connector are ground).
6. Set the #1 pulse generator's Range Switches to 10 ns PERIOD and 5 ns DURATION.
7. Set the Digital Delay's EVENTS DELAY COUNT to 00001 and adjust EVENTS and START LEVELS until triggered.
8. Connect oscilloscope channel 2 to the #2 pulse generator's OUTPUT using a 10X probe and the probe tip connector on the Test Fixture.
9. Power up and set up the 338 as shown:

SETUP MENU

```

PLR
GROUP  G1      ON =  AAAAAAAA
                                76543210
                                G2      OFF
                                G3      OFF
                                G4      OFF
    
```

THRESHOLD MENU

```

LEVEL  V1 =  +10.0V
        V2 =  -10.0V
    
```

INPUT
 EXT CLK = V3
 POD A = V3
 POD B = V3
 POD C = V3
 POD D = V3

TRIGGER MENU

Source INT TRIG
 CLK EXT
 TRIG IMMEDIATELY
 POSN DELAY
 00249
 Events 00001*WA FLW'D BY:WB OFF WC

 WA = XX
 WB = XX
 WC =

 GLITCH 76543210
 POD A OFF

 QUALIFIERS (POD)
 A OFF B OFF C OFF D OFF

- 10. Set the oscilloscope as shown in Table 5-20.
- 11. Set the Pulse Generators as shown in Table 5-21.

NOTE

Over adjustment of the EVENTS LEVEL will cause a loss of the DD501 triggering and oscilloscope display. If the adjustment range is not adequate then replace the BNC cables, between the Pulse Generators and the Digital Delay, with longer or shorter cables.

- 12. Set the oscilloscope triggering source to CH2 ONLY.
- 13. Adjust DD501 EVENTS LEVEL slowly until the channel 2 waveform's falling edge crosses the channel 1 waveform's rising edge at 0 V (mid-screen). See Figure 5-60 (20 ns setup, 0 ns hold).

NOTE

Over adjustment of the EVENTS LEVEL will cause a loss of the DD501 triggering and oscilloscope display. If the adjustment range is not adequate replace the 42 inch BNC cable, from DLY'D TRIG OUT to the #2 Pulse Generator's + TRIG INPUT, with a longer or shorter cable, or remove the cable's 50 Ω terminator.

- 14. Setup the 338 CLK and QUALIFIERS for Condition 1 in Table 5-22.
- 15. Press the 338 DATA key until the State Table is displayed.
- 16. Press the START key.
- 17. Check that the data acquired is equal to the Expected Data in Table 5-22.
- 18. Setup the 338 CLK and QUALIFIERS for conditions 2 through 4 in Table 5-22. Repeat steps 14 to 16 for each condition.

19. Set #1 pulse generator's OUTPUT to COMPLEMENT.
20. Adjust DD501 EVENTS LEVEL until the channel 2 waveform's falling edge crosses the channel 1 waveform's falling edge at 0 V (mid-screen). See Figure 5-61 (20 ns setup, 0 ns hold).
21. Change the 318 CLK and QUALIFIERS for conditions 5 through 8 in Table 5-22. Repeat steps 14 through 16 for each condition.

Table 5-20
338 PARALLEL DATA TEST OSCILLOSCOPE SETUP

Controls	Settings
TIME/DIV	5 nS (Use 10X magnifier if necessary)
TRIGGERING	AUTO, AC, INT, CH1 only
DISPLAY MODE	ALT
VOLTS/DIV	
CH1	100 mV DC
CH2	100 mV DC
POSITION	
CH1	0 V (GND) set to the middle of screen
CH2	0 V (GND) set to the middle of screen

Table 5-21
338 PARALLEL DATA PULSE GENERATOR SETUP

	Pulse Generator #1	Pulse Generator #2
BACK TERM	PULL (out)	PULL (out)
OUTPUT	NORM	NORM
HIGH LEVEL	+0.35 V	+0.25 V
LOW LEVEL	-0.35 V	-0.25 V
PERIOD	50 nS @ 0 V level	EXT TRIG
DURATION	15 nS @ 0 V level	20 nS + pulse @ 0 V level

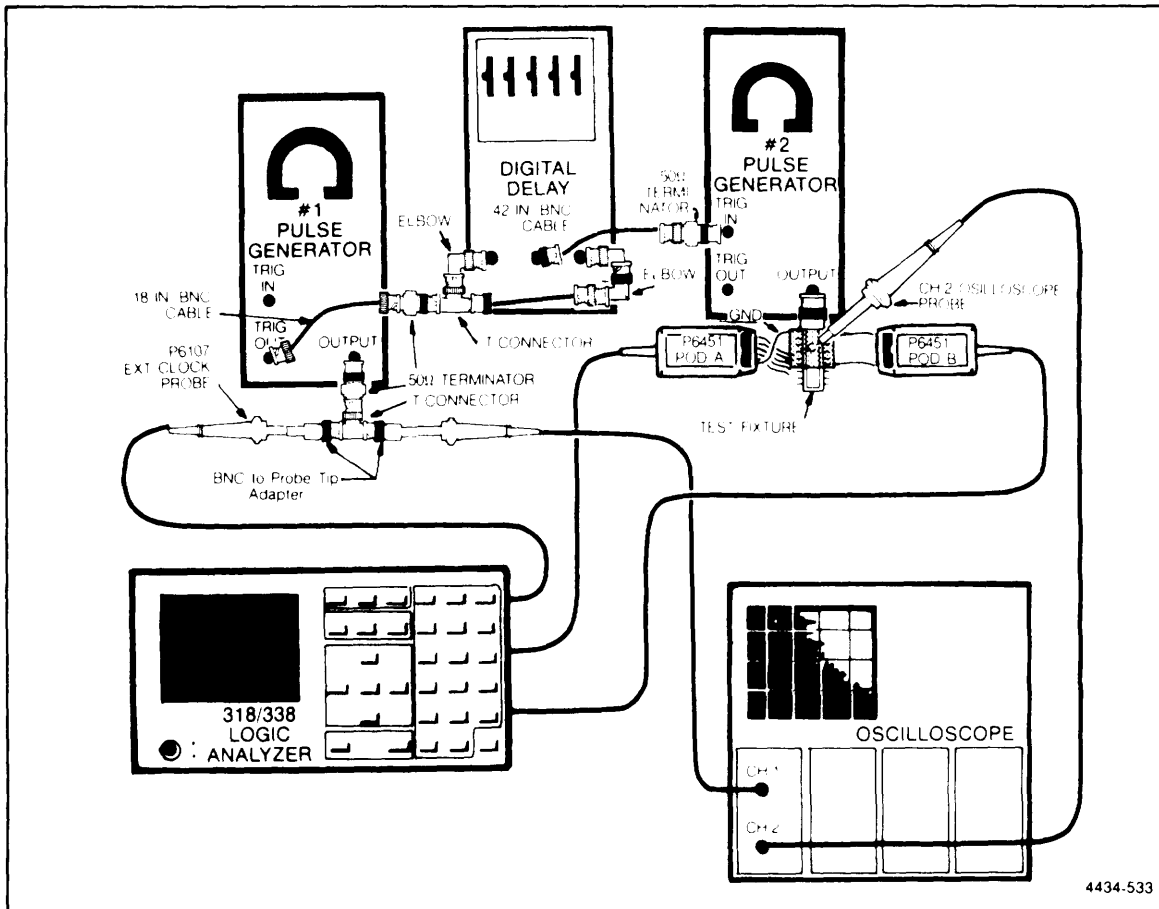


Figure 5-59. 338 Parallel data acquisition test setup.

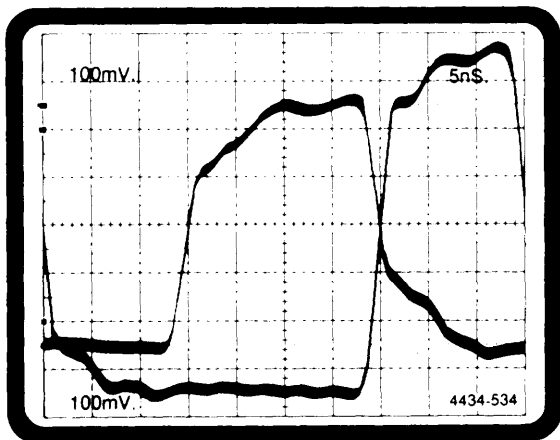


Figure 5-60. 338 Parallel data acquisition test waveform #1.

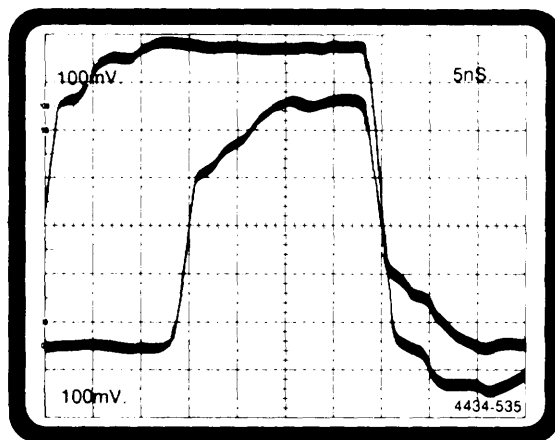


Figure 5-61. 338 Parallel data acquisition test waveform #2.

Table 5-22
338 TEST CONDITIONS AND EXPECTATIONS

Condition	1	2	3	4	5	6	7	8
Pulse Gen #1 OUTPUT	Norm	Norm	Norm	Norm	Complement	Complement	Complement	Complement
Test Waveform Figure	5-60	5-60	5-60	5-60	5-61	5-61	5-61	5-61
CLK	EXT↑	EXT↑	EXT↑	EXT↑	EXT↓	EXT↓	EXT↓	EXT↓
QUALIFIER A	OFF	CLK-H	CLK-H	OFF	OFF	TRG-L	OFF	TRG-L
QUALIFIER B	OFF	TRG-L	TRG-H	OFF	OFF	CLK-L	OFF	CLK-H
QUALIFIER C	OFF	CLK-H	OFF	CLK-H	OFF	OFF	TRG-L	TRG-L
QUALIFIER D	OFF	TRG-L	OFF	TRG-H	OFF	OFF	CLK-L	CLK-L
EXPECTED DATA	00 FF 00 FF	** ** ** **	FF FF FF FF	FF FF FF FF	00 FF 00 FF	00 00 00 00	00 00 00 00	** ** ** **

** Means the 338 is never triggered. Press the STOP key to stop data acquisition.

Table 5-23
338 PARALLEL DATA TEST CONDITION AND EXPECTATION

CONDITION	1	2	3
Pulse Gen. #2 connections			
Pod A Q only	Q only	Q only	Q only
Pod B	Data 7-0 & Q	Q only	Q only
Pod C	Q only	Data 7-0 & Q	Q only
Pod D	Q only	Q only	Data 7-0 & Q
GROUP G1=	B7-B0	C7-C0	D7-D0

21. Connect the P6451 probes to the #2 pulse generator (using the Test Fixture) and select the 338 GROUP G1 as outlined for Condition 1 in Table 5-23.
22. Repeat steps 10 through 20 for each condition in Table 5-23.
23. Disconnect and remove all P6451 Probes except the one with Data leads 7-0 connected to the #2 pulse generator (Pod D).
24. Return the #1 pulse generator OUTPUT to NORM.
25. Adjust the #2 pulse generator's DURATION to 14 ns, @ 0 V level, positive pulse on oscilloscope channel 2.

Verification and Adjustment Procedures-318/338 Service

26. Increase the length of the BNC cables on the pulse generators, if necessary, and adjust DD501 EVENTS LEVEL until the channel 2 waveform's falling edge crosses the channel 1 waveform's rising edge at 0 V level (14 ns setup, 0 ns hold).
27. Change the 338 settings as follows:

```

SETUP MENU
      ACQ.MODE           RE-
                          PEAT
                          ACQ

TRIGGER MENU
      CLK           EXTT
      POSN          DELAY
                   00246
      Events        00001'WA THEN:WB THEN:WC
      WA =          00
      WB -          FF
      WC=           00

      QUALIFIERS (POD)
      A OFF   B OFF   C OFF   D OFF
    
```

28. Press the DATA key until the State Table is displayed and then press the START key.
29. Check for the following data, and proper trigger location.

	0	##	(Always no data)
	1	##	or FF
	2	00	
	3	FF	
T	4	00	(Trigger location)

30. Press the STOP key, select the TRIGGER Menu and set word C to WC = FF.
31. Press the START key and check that the 338 does not trigger.
32. Press the STOP key.
33. Change the TRIGGER Menu as follows:

```

SETUP MENU
      ACQ. MODE           REPEAT ACQ

TRIGGER MENU
      POSN DELAY
                   00245
      Events        00001'WA THEN:WB FLW'D BY:WC

      WA =          00
      WB =          FF
      WC =          FF
    
```

34. Press the DATA key and then the START key.
35. Check for the following data and proper trigger location.

	0	##	(Always no data)
	1	##	or FF
	2	00	
	3	FF	
	4	00	
T	5	FF	(Trigger location)

Verification and Adjustment Procedures-318/338 Service

36. Press the STOP key and then the TRIGGER key.
37. Change TRIGGER Menu Word B to WB = 00.
38. Press START key and check that the 338 does not trigger.
39. Press STOP key.
40. Change the TRIGGER Menu as follows:
Events 00001 * WA FLW'D BY:WB FLW'D BY:WC

41. Press the DATA key and then the START key.
42. Check for the following data and proper trigger location.

	0	##	(Always no data)
	1	##	or FF
	2	00	
	3	FF	
	4	00	
T	5	FF	(Trigger location)

43. Press the STOP key and then the TRIGGER key.
44. Change the TRIGGER Menu as follows:

TRIGGER MENU

Events	00002'WA OR:WB OR:WC
WA =	XX
WB =	00
WC =	FF

45. Press the DATA key and then the START key.
46. Check for the following data and proper trigger location.

	0	##	(Always no data)
	1	##	(Always no data)
	2	##	(Always no data)
	3	##	(Always no data)
	4	##	(Always no data)
T	5	00 and/or FF	(Check several acquisitions and insure that both 00 and FF triggers occur.)

47. Press the STOP key and then the TRIGGER key.
48. Change the TRIGGER Menu as follows:

TRIGGER MENU

Events	00002*WA OFF:WB RESET ON:WC
WA =	FF
WB =	
WC =	00

49. Press the START key and check that the 338 does not trigger.
50. Press the STOP key.

51. Change the TRIGGER Menu as follows:

TRIGGER MENU

POSN	DELAY
	00000
Events	00001'WA OFF:WB RESET ON:WC

52. Press the DATA key, ←↑ T key (scroll), and then the START key.

53. Check for the following data and proper trigger location.

	243	##	(Always no data)
	244	##	(Always no data)
	245	##	(Always no data)
	246	##	(Always no data)
	247	##	(Always no data)
	248	##	(Always no data)
	249	##	or 00
T	250	FF	(Trigger location)

54. Press the STOP key and then the TRIGGER Key.

- a. Increase the DD501 DELAY COUNT, by increments of 01000, until the oscilloscope display starts becoming too dim to observe.
- b. Adjust the oscilloscope horizontal POSITION to display the channel 2 waveform.
- c. Adjust DD501 EVENTS LEVEL slowly until the channel 2 waveform's falling edge crosses the channel 1 waveform's rising edge at 0 V (mid-screen). See Figure 5-60 (14 ns setup, 0 ns hold).

NOTE

If adjustment range is not adequate then replace the DLY'D TRIG OUT BNC cable with a longer or shorter cable.

55. Set the DD501 DELAY COUNT to 65000.

56. Change the TRIGGER Menu as follows:

TRIGGER MENU

POSN	DELAY
	65000
Events	00001'WA OFF:WB OFF:WC
WA -	FF
WB	
WC-	

57. Press the DATA key and then the START key.

58. Check that data location 251 contains FF and all other data locations contain 00s. Note: The trigger location is off the display screen.

59. Press the STOP key and check the lower-right corner of the display for:

ST:T = -64750W

60. Change the TRIGGER Menu as follows:

TRIGGER MENU

POSN	DELAY
	00000
Events	65000'WA OFF:WB RESET ON:WC
WA =	00
WB =	
WC =	FF

61. Press the DATA key and then the START key.
62. Check for the following data and proper trigger location.

	243	00	
	244	00	
	245	00	
	246	00	
	247	00	
	248	00	
	249	00	
T	250	00	(Trigger location)
	251	FF	
	252	00	

63. Press the STOP key and then the -1 (scroll) key.
64. Return DD501 DELAY COUNT to 00001.
65. Adjust DD501 EVENTS LEVEL slowly until the channel 2 waveform's falling edge crosses the channel 1 waveform's rising edge at 0 V (mid-screen). See Figure 5-60 (14 ns setup, 0 ns hold).
66. Move the P6451 probe to the next 338 PARALLEL DATA INPUT and select the corresponding 338 GROUP G1 = x7-x0.
67. Repeat steps 26 to 65 for each of the remaining PARALLEL DATA INPUTS (C-B-A).

TEST 3 - GLITCH DATA ACQUISITION AND GLITCH TRIGGER

Equipment Required

- 1 Oscilloscope
- 2 Pulse Generators
- 1 BNC 50 Ω Terminator
- 1 BNC T-connector
- 2 BNC Male-to-Probe Tip Adapters
- 1 Test Fixture (see Figure 5-1)
- 1 BNC 50 Ω Cable, 42 inches long

SETUP

Refer to Figure 5-62.

1. Connect a 50 Ω terminator to the #1 pulse generator OUTPUT. Connect a BNC T-connector to the 50 Ω terminator. Connect the P6107 External Clock Probe tip to one side of the BNC T-connector. Connect the oscilloscope channel 1 probe to the other side of the BNC T-connector.
2. Connect the #1 pulse generator's TRIG OUT to the #2 pulse generator's TRIG INPUT using a 42-inch BNC cable.

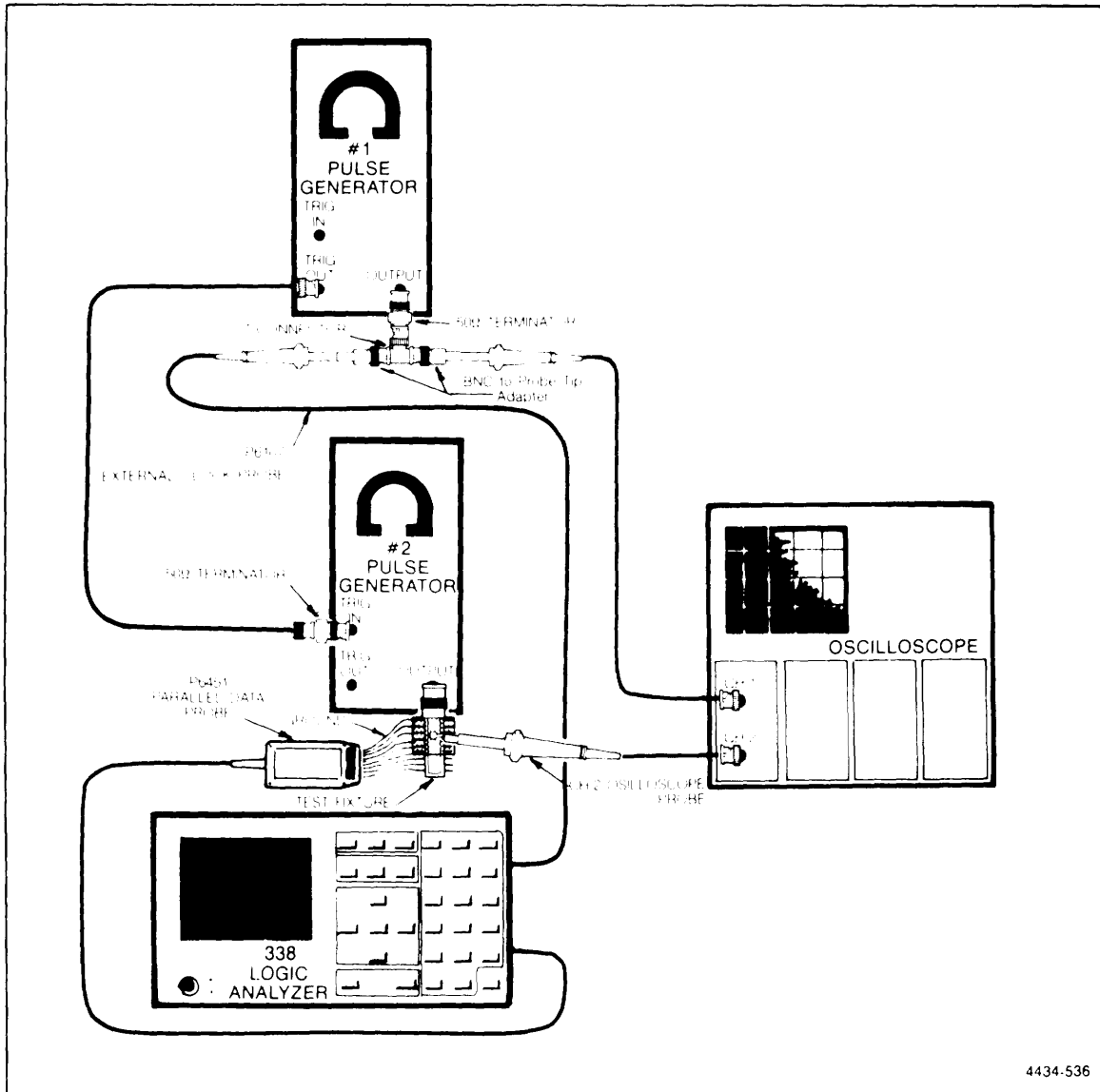


Figure 5-62. 338 Glitch data acquisition test setup.

3. Connect all the Pod A P6451 Probe leads to the Test Fixture pins (connect the P6451 ground leads to those pins nearest the BNC connector; all other pins are interchangeable). Connect the Test Fixture to the #2 pulse generator's OUTPUT.

4. Connect the oscilloscope channel 2 10X Probe tip to the Test Fixture's probe connection.
5. Power up and set up the 338 as follows:

SETUP MENU

```

PLR
GROUP  G1      ON - AAAAAAAA
              76543210
              G2      OFF
              G3      OFF
              G4      OFF
    
```

THRESHOLD MENU

```

LEVEL  V1 =   10.0V
        V2 =   10.0V
    
```

INPUT

```

EXT CLK =  V3
POD A =    V3
    
```

TRIGGER MENU

```

CLK      EXT,
TRIG     IMMEDIATELY
Events   00000'WA FLW'D BY:WB RESET ON:WC
GLITCH   76543210
POD A    ON      ◆
QUALIFIERS (POD)
A OFF    B OFF   C OFF   D OFF
    
```

POSITIVE GLITCH

1. Set the pulse generator according to Table 5-24 and Figure 5-63.

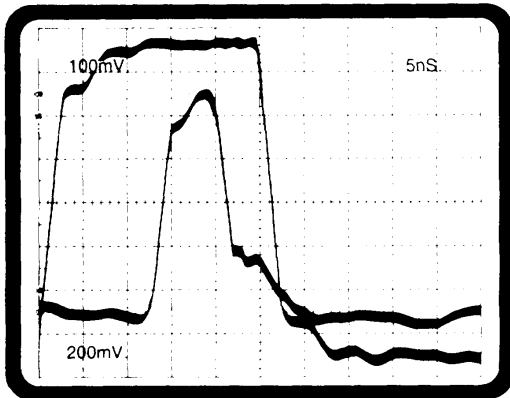


Figure 5-63. 338 Glitch data acquisition test waveform #1.

Table 5-24

338 POSITIVE GLITCH PULSE GENERATOR SETUP

	Pulse Generator	
	#1	#2
Termination	BACK TERM	BACK TERM
OUTPUT	NORM	NORM
PERIOD	50 ns	EXT TRIG
DURATION	25 ns	5 ns @ +0.35 V level
HIGH level	+0.35 V	+0.50 V
LOW level	-0.35 V	-0.50 V

NOTE:

HIGH level, LOW level and DURATION adjustments interact and require readjustment.

NOTE

Ensure glitch waveform timing does not occur 0-14 ns prior to clock waveform rising edge or the glitch may appear as data in this test. Glitch data width must be at least 5 ns as measured at 350 mv above threshold.

2. Press the DATA key until the State Table is displayed.
3. Press the START key.
4. Set the DATA State Table submenu to SRCH GLITCH mode and check that the Trigger location, and all data after the Trigger location, are displayed in inverse video (SRCH = 1/249, data = 00).
5. Press the 338 TRIGGER key, select the next GLITCH channel, one channel at a time, and repeat steps (2) through (4) until channels 0 through 7 have been tested.

NEGATIVE GLITCH

1. Set the pulse generators according to Table 5-25 and Figure 5-64.
2. Follow the same procedure as in the Positive Glitch; select the State Table, press START, check for Glitch Data, select the next channel, and repeat until all channels have been tested. (SRCH = 1/249, data= FF).

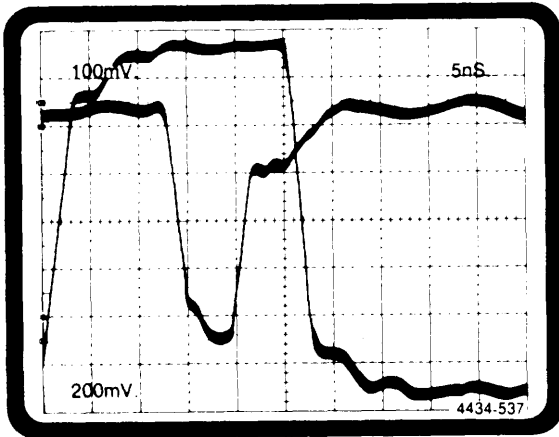


Figure 5-64. 338 Glitch data acquisition test waveform #2.

Table 5-25
338 NEGATIVE GLITCH PULSE GENERATOR SETUP

	Pulse Generator	
	#1	#2
Termination	BACK TERM	BACK TERM
OUTPUT	NORM	COMPLEMENT
PERIOD	50 ns	EXT TRIG
DURATION	25 ns	5 ns @ -0.35 V level
HIGH level	+0.35 V	+0.50 V
LOW level	-0.35 V	-0.50 V

NOTE:
HIGH level, LOW level and DURATION adjustments interact and require readjustment.

TEST 4 - START OUTPUT AND TRIGGER OUTPUT

Equipment Required

2 Patch Cord, 2 inches long, 012-0200-00

1. Connect Pod A and Pod B GND leads to GND mini-jack, located on the right-side panel, using a Patch Cord and Grabber Tips.
2. Connect Pod A and Pod B channel 0 leads to the START OUTPUT mini-jack using another Patch Cord and Grabber Tips.

- Power up and set up the 338 as follows:

SETUP MENU

```

PLR
ACQ. MODE      REPEAT ACQ      GROUP
                G1 ON -      AAAAAAAAA
                G2 ON -      76543210
                G3          OFF  BBBB BBBB
                G4          OFF  76543210
    
```

THRESHOLD MENU

```

LEVEL  V1 =  +0.7V
        V2 =  2.4V
    
```

INPUT

```

EXT CLK =  TTL
POD A =    V1
POD B =    V2
    
```

TRIGGER MENU

```

CLOCK  50 ns
TRIG    IMMEDIATELY
Events  00001*WA OFF:WB OFF:WC
WA =    XX XX
    
```

- Press the DATA key until the State Table is displayed.
- Set the State Table submenu to SRCH WORD = 01-01.
- Press the START key and check for the following display:

SRCH = 1/13 (Approximately)

WORD = 01-01

G1 G2

H H

	0	##	##	(Always no data)
	1	##	##	(Always no data)
	2	##	##	(Always no data)
	3	##	##	(Always no data)
	4	##	##	(Always no data)
	5	##	##	(Always no data)
	6	##	##	(Always no data)
T	7	0X	0X	(Trigger location)
	8	0X	0X	(X =Don't care)
	9	01	01	(Start Output)
	10	01	01	
	11	01	01	
	12	01	01	

- Move the Mini-jack cable from START OUTPUT to TRIG OUTPUT.
- Press START and check that TRIGGER OUTPUT, WORD 01-01, starts at or near location 9, and the quantity of SRCH WORDS exceed 240.

TEST 5 - EXTERNAL TRIGGER INPUT

Equipment Required

- 1 BNC to Mini-Jack Cable, 175-1178-00
- 1 Oscilloscope
- 1 Pulse Generator
- 1 10X Probe
- 1 BNC-to-Probe Adapter
- 1 50 ohm Terminator

1. Connect a 50 ohm terminator to the pulse generator OUTPUT.
2. Connect a 10 OX probe from the oscilloscope CH1 to the 50 12 terminator at the pulse generator OUTPUT using a BNC-to-probe Adapter.
3. Setup the oscilloscope as follows:

TRIGGERING	AUTO, AC, INT, CH1
TIME/DIV	5 ns (Use 100X Magnifier if necessary)
CH1 VOLTS/DIV	1.0 V DC
CH1 POSITION	0 V (GND) set to the middle of screen

4. Set the pulse generator as follows:

BACK TERM	OUT
OUTPUT	NORM
PERIOD	.1µS
HIGH LEVEL	+2.80 V
LOW LEVEL	0.00 V
DURATION	20 nS @ +-1.4 V level

5. Remove the 10X Probe and BNC-to-probe adapter from the pulse generator.
6. Connect a BNC-to-Mini-jack Cable from the 50 ohm terminator at the pulse generator's OUTPUT to the TRIG INPUT mini-jack on the right-side panel. Connect the cable braid lead to the GND mini-jack, also on the right-side panel.
7. Power-up and setup the as follows:

TRIGGER MENU

SOURCE EXT	TRIG
EXT TRIG POL=	↑

8. Press the START key and check that the 338 triggers.
9. Set pulse generator PERIOD to EXT TRIG and ensure no cables are connected to the pulse generator External Trigger Input.
10. Press the START key and then press the pulse generator's MAN TRIG.
11. Check that the 338 triggers only after the PG502 MAN TRIG button is pushed.
12. Set EXT TRIG POL to negative and the pulse generator's OUTPUT to COMPLEMENT.
13. Repeat steps (10) and (11).

TEST 6 - SERIAL STATE ANALYZER (338S1)

Equipment Required
 1 Serial Data Generator

1. Set POWER switch to ON.
2. Set major mode to SERIAL and press the EXECUTE key.
3. Select the SETUP MENU and set the baud rate to 2400.
4. Select the Threshold menu and set DATA and EXT CLK Threshold to 0.00 V.
5. Allow 15 minutes for the 338 to stabilize.
6. Connect test setup as shown in Figure 5-65.

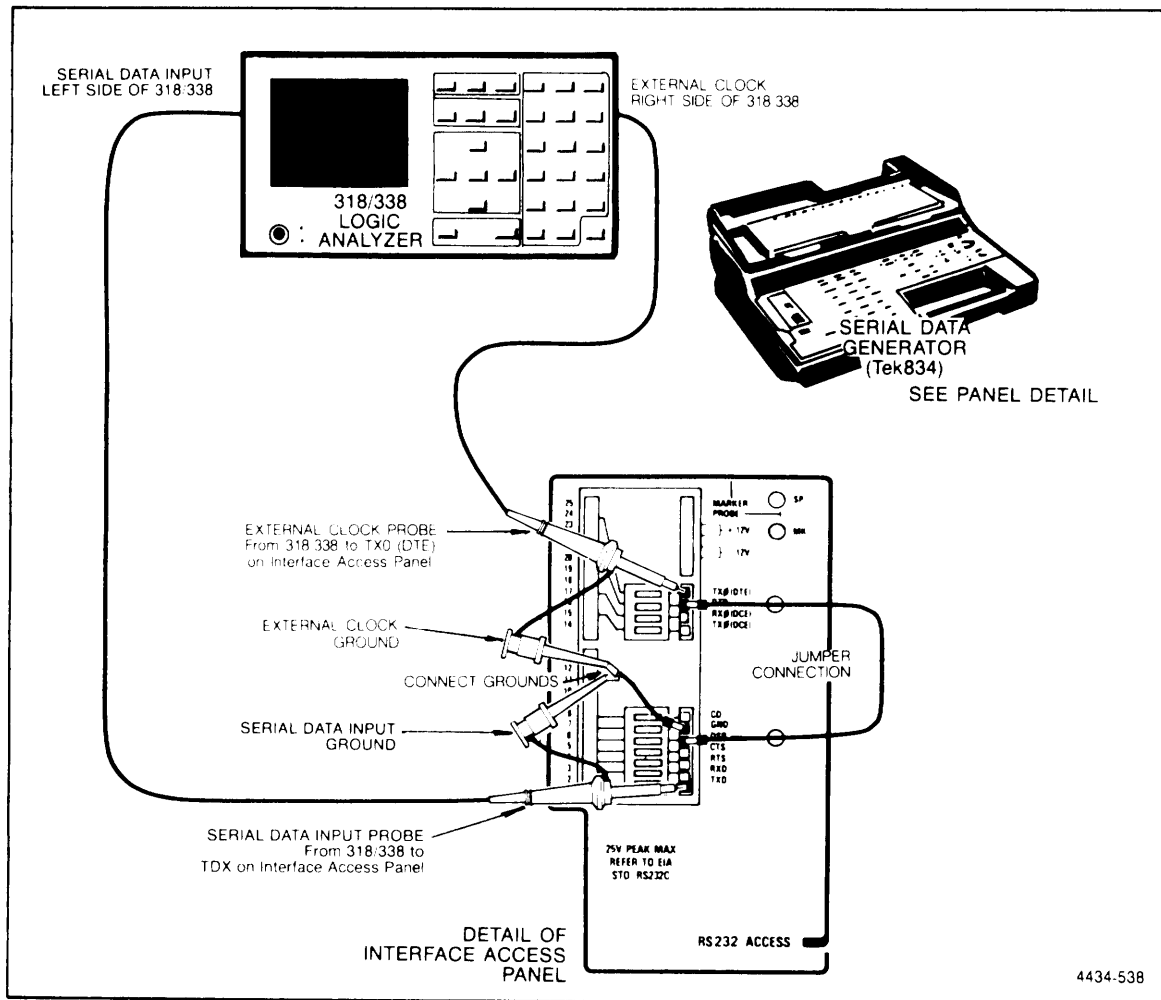


Figure 5-65. 338 Serial state analyzer performance test setup.

Verification and Adjustment Procedures-318/338 Service

7. Set the serial data generator power to ON, and select DTE SIMULATE mode.
8. Set serial data generator SETUP as follows;
CODE=ASCII, BAUD=2400, DUPLEX-FULL, SETUP=ASYNC, BITS/CHAR=8,
PARITY= NONE, STOPBITS = 1, TIMING = NORMAL.
9. Load the following program into the serial data generator:

STEP	MNEMONIC	
	CODE	
1	SEND	#1
2	JMP	#1

10. Load the following hexadecimal data in the serial data generator buffuffer #1: E0, E0, E2, E4, E6, E8
11. Press the START key on the serial data generator.
12. Select the DATA DISPLAY STATE TABLE and press the START key.
13. When the 338 displays data on the crt, press the serial data generator STOP key.
14. Check that the 338 display matches the WORD SEQUENCE column on Table 5-25.
15. Set the 338 baud rate to 19.2K (DATA screen).
16. Set the serial data generator baud rate to 19.2K.
17. Set the 338 and the serial data generator controls as indicated in step 1 of Table 5-25 and repeat preceding parts (11) through (14).

Repeat steps 2 through 7 for the remainder of Table 5-25.

NOTE

Selection field for BITS/WORD and COM.MODE (SYNC or ASYNC) and BAUD RATE appear in the 338 SETUP Menu. Selection fields for SYNC WORD and HUNT WORD are in the TRIGGER Menu.

To load SETUP parameters into the serial data generator, the operator must: (a) press SETUP, (b) select SETUP item using LEFT or RIGHT Vector keys. (c) select SETUP parameters using UP or DOWN VECTOR key.

To load data into the serial data generator buffer #1, the operator must: (a) press PROGRAM, (b) press RIGHT VECTOR, (c) press DOWN VECTOR, (d) press keys for the two hexadecimal characters to be entered, and (e) press ENTER. To load additional data , repeat parts (d) and (e).

To load the program into the serial data generator, the operator must: (a) press PROGRAM, (b) select program code by LEFT or RIGHT VECTOR, (c) if program code includes distination number, press alphanumeric key to be entered, and press ENTER, (d) press DOWN VECTOR, to next program step.

Table 5-26
338 SERIAL STATE ANALYZER TEST SETUP

Step	318	Serial Data Generator	Word Sequence
1	BITS/WORD = 8	BITS/CHAR = 8	E0, E0, E2, E4, E6, E8
2	BITS/WORD = 7	BITS/CHAR = 7	60, 60, 62, 64, 66, 68
3	BITS/WORD = 6	BITS/CHAR = 6	20, 20, 22, 24, 26, 28
4	BITS/WORD = 5	BITS/CHAR = 5	00, 00, 02, 04, 06, 08
5	BAUD RATE = EXT16 BITS/WORD = 6	BITS/CHAR = 6	20, 20, 22, 24, 26, 28
6	COM. MODE = SYNC BITS/WORD = 8 SYNC WORD 1 = 16 SYNC WORD 2 = 16	SETUP = SYNC BITS/CHAR = 8 CLOCK = DERIVED (INSERT DATA 16, 16 TO TOP OF BUFFER #1)	E0, E0, E2, E4, E6, E8 FF, FF, FF
7	BITS/WORD = 5 SYNC WORD 1 = AD SYNC WORD 2 = 05 HUNT WORD = 08	BITS/CHAR = 5	00, 02, 04, 06, 08

5-119/(5-120 blank)

MAINTENANCE: GENERAL INFORMATION

Tektronix maintains repair and recalibration facilities at its local Field Service Centers and the Factory Service Center. For further information or assistance, contact your local Tektronix Field Office or representative.

TROUBLESHOOTING TREES

The troubleshooting trees are divided into two sets; one for the 318, and one for the 338. The trees for the 318 are located after the diagnostic test descriptions for the 318, in roughly the center of Section 7. The Diagnostic trees for the 338 are located after the diagnostic test descriptions for that logic analyzer, starting near the end of Section 7. Refer to the page-edge tabs for help in locating the information you need.

The troubleshooting trees are intended to be used as a guide in identifying problem areas and isolating component malfunctions. To use the trees, start at the beginning block and answer each logical-block question until the fault is isolated. If there are further problems after the first fault is corrected, you must start over at the beginning block. Some malfunctions, especially those involving multiple simultaneous failures, may require more elaborate approaches with frequent reference to the circuit descriptions in Section 4.

TEST EQUIPMENT REQUIRED FOR MAINTENANCE

Test equipment required to service the instrument is listed under Table 5-1 in Section 5 of this manual.

TOOLS REQUIRED FOR MAINTENANCE

The following tools are those most often needed when servicing the instrument:

- bristle brush
- 1/2 inch wrench
- 5 mm metric wrench
- 1/16 inch Allen wrench
- Phillips head screwdriver
- 15 W soldering iron
- desoldering tool
- isopropyl alcohol
- lint-free swabs

MAINTENANCE PRECAUTIONS

SOLDERING

Most of the components in the instrument are soldered in place. If it is necessary to replace a soldered part, use a 15 W soldering iron to prevent heat damage to the circuit board or components. Excessive heat will lift circuit runs on the circuit board.

The flux in the solder may leave a residue on the circuit board which can provide a high resistance leakage path and affect instrument operation. Be sure to clean off this residue. Isopropyl alcohol may be used.

LIGHT-EMITTING DIODES (LEDS)

To avoid damage to the LEDs, always keep soldering time and temperature to a minimum. Do not bend the leads or apply force when inserting the leads into circuit board holes. Clean the circuit board holes of all excess solder before attempting to install a new LED.

NOTE

Damage to the LEDs may not be immediately apparent. Always follow the precautionary measures listed above when handling LEDs.

STATIC PRECAUTIONS

CAUTION

Static discharge can damage any semiconductor in this instrument.

This instrument contains electrical components that are susceptible to damage from static discharge. See Table 6-1 for the relative susceptibility of various classes of semiconductors. Static voltages of 1-30 kV are common in unprotected environments.

Observe the following precautions to avoid damage:

1. Minimize handling of static-sensitive components.
2. Transport and store static-sensitive components or assemblies in their original containers, on a metal rail, or on conductive foam. Label any package that contains static-sensitive components or assemblies.
3. Discharge the static voltage from your body by wearing a wrist strap while handling these components. Servicing static-sensitive assemblies should be performed only in a static-free work station by qualified service personnel.
4. Nothing capable of generating or holding a static charge should be allowed on the work station surface.
5. Keep the component leads shorted together whenever possible.
6. Pick up components by the body, never by the leads.
7. Do not slide the components over any surface.
8. Avoid handling components in areas that have a floor or work-surface covering capable of generating a static charge.
9. Use a soldering iron that is connected to earth ground.
10. Use only special anti-static suction type or wick type desoldering tools.

NOTE

Damage to electrical components may not be immediately apparent. Always follow the precautionary measures listed above when handling static-sensitive components.

Table 6-1
Relative Susceptibility of Semiconductors to Static Discharge Damage

Semiconductor Class	Danger Voltage a
MOS or CMOS	100 -500 V
ECL	200 - 500 V
Schottky signal diodes	250 V
Schottky TTL	500 V
High frequency bipolar transistors	400 - 600 V
JFETs	600 - 800 V
Linear microcircuits	400 - 1000 V
Low-power Schottky TTL	1200 V

^a Voltage discharged from a 100 pF capacitor through a resistance of 100 U.

LITHIUM BATTERY REPLACEMENT

If it is necessary to replace the lithium battery (A07BT1) on the Serial/RS232C/NVM Board, use standard soldering procedures.

WARNING

To avoid personal injury, observe proper procedures for handling and disposal of lithium batteries. Improper handling may cause fire, explosion, or severe burns. Don't recharge, crush, disassemble, heat the battery above 212° F (100° C), incinerate, or expose contents of the battery to water. Dispose of battery in accordance with local, state, and national regulations.

PREVENTIVE MAINTENANCE

Preventive maintenance consists of periodic cleaning and inspection. Accumulation of dust on components acts as an insulating blanket and prevents efficient heat dissipation. This condition can cause overheating and component breakdown within the instrument. Periodic cleaning and inspection will reduce instrument breakdown and increase reliability.

This instrument should be cleaned as often as the operating environment requires. A convenient and appropriate time to perform these procedures is immediately prior to instrument adjustment.

EXTERIOR CLEANING

Dust the exterior surfaces with a dry, lint-free cloth or a soft-bristle brush. If hard dirt remains, use a cloth or swab dampened with a 5% mild detergent and warm water solution. The swab is also useful for cleaning in narrow spaces around the controls. Use the detergent solution for cleaning the screen also. Do not use abrasive compounds on any part of the instrument.

CAUTION

To prevent water from getting inside the instrument during external cleaning, use only enough water to dampen the cloth or swab.

DO NOT use chemical cleaning agents as they may damage the plastics used in the instrument. In particular, avoid chemicals that contain benzene, toluene, xylene, acetone, or similar solvents.

INTERIOR CLEANING

To gain access to internal portions of the instrument, refer to Disassembly/Installation Procedures later in this section.

Internal cleaning should be done with a dry, low-velocity stream of air. A soft-bristle brush is useful for cleaning around components. If a liquid must be used for minor internal cleaning, use isopropyl alcohol, denatured ethyl alcohol, or a solution of 1% mild detergent and 99% de-ionized water.

Should the interior of the instrument require a thorough cleaning, wash according to the following cautionary Cleaning Guidelines.

CLEANING GUIDELINES

DO NOT wash the front-panel power switch. The power switch must be covered during washing procedures.

Spray-wash dirty parts with a cleaning solution listed under Interior Cleaning, then use de-ionized water to THOROUGHLY RINSE all parts. IMMEDIATELY DRY all parts with low air pressure.

When washing near unsealed electromechanical components, use as little washing action as possible. This prevents washing the lubricant out of the components and getting an excess of detergent into the contact areas of the switches. DETERGENT RESIDUE WILL CAUSE CORROSION, which may degrade instrument performance.

DO NOT use a freon-based spray cleaner for cleaning the circuit boards. Freon will damage aluminum capacitors.

DO NOT use fluorocarbon-based spray cleaners or silicon spray lubricants on switches or switch contacts. These sprays may damage the circuit board material or plastic parts, and leave a dust-collecting residue. If necessary, NEW IMPROVED NO NOISE ® may be used as a lubricant.

To prevent damage from electrical arcing, ensure that all circuit boards, switches, and interface connectors are completely dry. Do this by heating the board or switch in an oven at 75° C (167° F) for 15 minutes before applying power.

INSPECTION

Inspect the instrument for broken connections, frayed wires, poorly seated components, leaking capacitors, damaged hardware, and heat-damaged components.

Repair any obvious problems. However, take particular care if you find any heat-damaged parts. Overheating usually indicates other circuit problems. To prevent recurrence of the damage, find and correct the cause of the overheating. Note that replacement of electrical components may necessitate readjustment of the affected circuitry. Refer to the Replaceable Electrical Parts section for a list of part and component descriptions.

CORRECTIVE MAINTENANCE

OBTAINING REPLACEMENTS

All electrical and mechanical parts for the instrument can be obtained through your Tektronix Field Office or representative. However, many of the standard electrical components can be obtained locally. Before purchasing an ordinary part, check the Replaceable Electrical Parts section for a listing of value, tolerance, rating, and description.

CAUTION

Check the parts list before replacing electrical components. If the part is called out as screened or burned-in, the replacement part must also be screened or burned-in or the repair may not be effective.

NOTE

When selecting replacement parts, remember that the size and shape of the component may affect its performance in the instrument. All replaceable parts should be direct replacements unless it is known that a different part will not adversely affect instrument performance.

Some of the mechanical parts and electrical parts in this instrument are manufactured or selected by Tektronix to satisfy particular requirements, or are manufactured to certain specifications for Tektronix. To determine the manufacturer of a part, refer to the Parts List Cross Index of Code Number to Manufacturer. This is found in the Replaceable Electrical Parts section.

When ordering replacement parts from Tektronix, include the following information:

1. instrument type
2. instrument serial number
3. a description of the part (if electrical, include the component number)
4. Tektronix part number

ACQUISITION BOARDS AND PROBES

If it becomes necessary to send in an acquisition board for repair, also send the associated acquisition probe. Along with the board and probe, write a brief description of the problem and the circumstance in which it was discovered.

REPAIRING MULTI-CONDUCTOR CONNECTORS

Some of the interconnecting cable assemblies in the instrument consist of multi-conductor cables with machine-installed terminal connectors, mounted in plastic holders. For a picture of these connectors, refer to Figure 6-1. The plastic holders can be replaced easily. However, if the cable is defective, it must be replaced as a complete cable assembly. If one of the terminal connectors comes loose from the plastic holder, it can be reinstalled as shown in Figure 6-1. When reinstalling the connectors onto the circuit-board pins, be sure to match the triangle on the connector to the board.

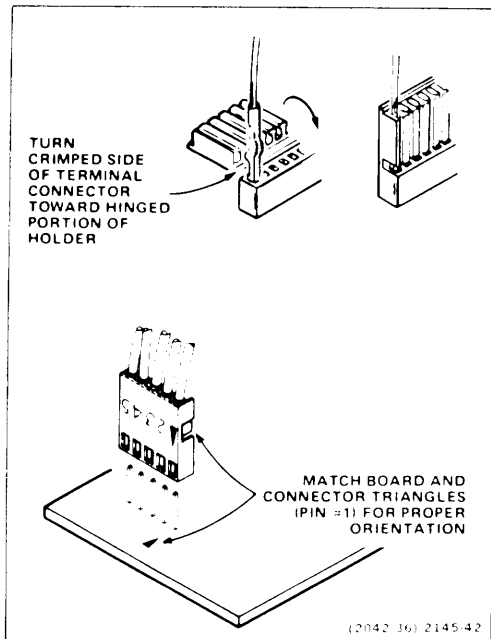


Figure 6-1. Multi-conductor terminal connectors

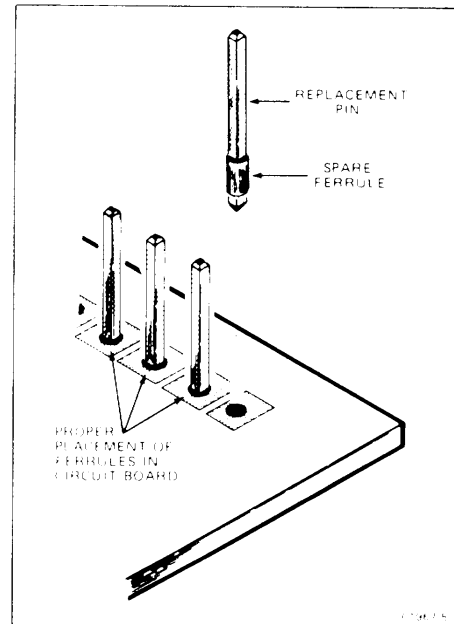


Figure 6-2. Circuit board pin replacement.

CIRCUIT BOARD PIN REPLACEMENT

A circuit-board pin replacement kit, including necessary tools, instructions, and replacement pins with attached spare ferrules, is available from Tektronix.

CAUTION

Replace circuit board pins on multi-layer boards with extreme care. These boards have conductive paths laminated between the top and bottom board layers. All soldering, removal, and reinsertion of pins must be done with extreme care to prevent breaking any electrical paths on the board.

Refer to Figure 6-2 while reading these instructions. To replace pins:

1. Use a 15 W soldering iron to unsolder the pin while pulling it out of the board with a pair of pliers.
2. If the ferrule remained in the board, carefully ream the solder out with a 0.031 inch drill. If the ferrule came out with the pin, clean the excess solder out of the hole with a solder-removing wick and a scribe.
3. If the ferrule remained in the board, remove the ferrule from the new pin and insert the pin into the old ferrule in the same orientation as the old pin. If the ferrule came out with the old pin, insert the new pin with ferrule in the same orientation as the old pin.
4. When the new pin is properly positioned in the circuit board, carefully solder it on both sides of the board.
5. Clean any remaining residue from the circuit board according to the instructions listed under Interior Cleaning.

DISASSEMBLY/INSTALLATION PROCEDURES

WARNING

Dangerous electric-shock hazards inside the mainframe may be exposed when the covers are removed. Be sure power is off and the power cord is disconnected before removing the covers. Disassembly procedures should only be attempted by qualified service personnel.

Reassembly procedures are the reverse of the disassembly procedures in most cases. Separate reassembly instructions are provided only when necessary.

Unless otherwise noted, screws mentioned in the text are the pan-head, POZIDRIV type.

In the following procedures, directional terms (top, bottom, left, right, etc.) are based on the assumption that the 318/338 is in a normal, upright position and the user is facing the front of the instrument.

GENERAL DISASSEMBLY PRECAUTIONS

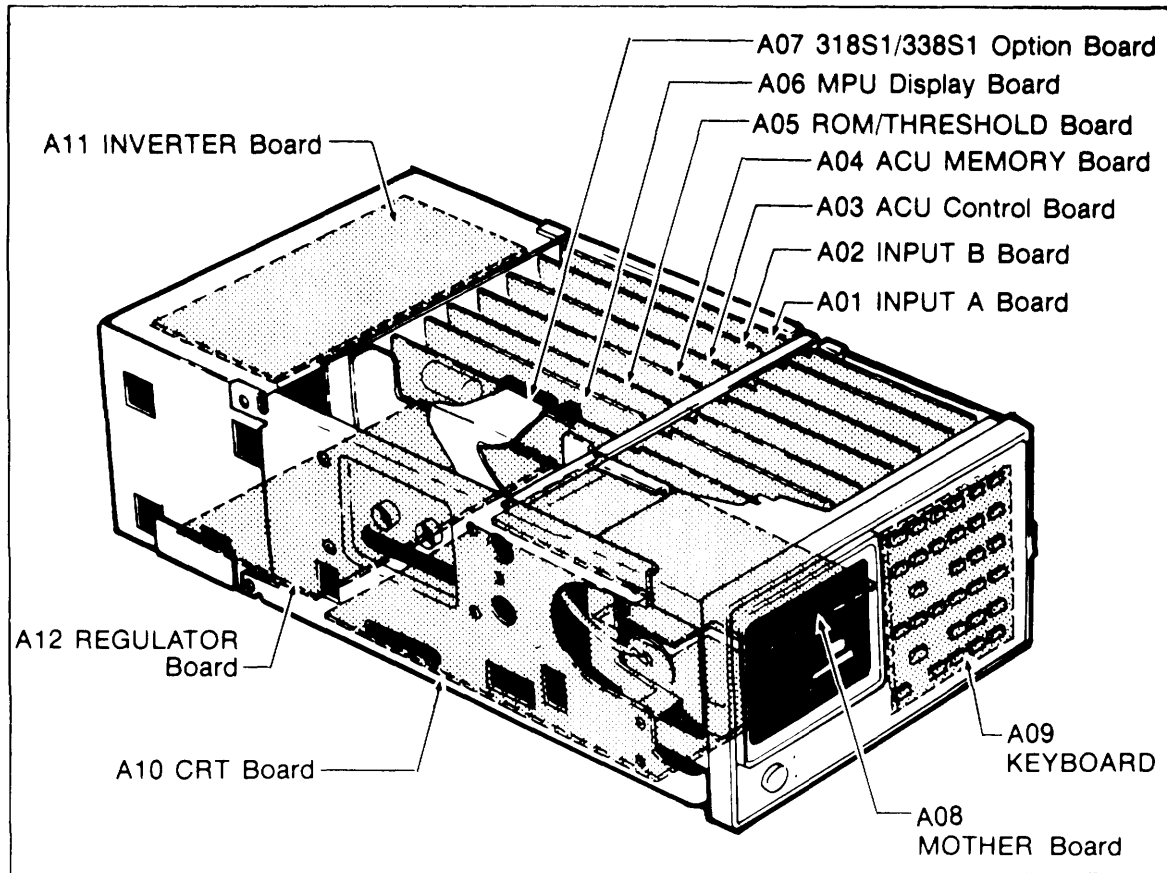
- DO NOT attempt any disassembly or installation procedures if the power is on.
- DO NOT disconnect probes from the mainframe by pulling on the cables; pull only on the plastic cable holders.
- DO NOT remove connectors between circuit boards by pulling on the wires; pull only on the connectors.
- DO NOT press or pull on components when manipulating circuit boards.
- GUARD against static discharge damage by following the precautions listed under *Maintenance Precautions* earlier in this section.

CIRCUIT BOARD LOCATIONS

Figure 6-3 shows the location of the circuit boards within the instrument.

COMPONENT LOCATIONS

In Section 10, Diagrams, of this manual you will find each circuit diagram and an illustration of the circuit board on which the layout of components are identified by their circuit numbers. Tables listing each component by its circuit number are also provided. These tables enable rapid location of components on both the circuit diagrams and the circuit board illustrations by listing the grid coordinates.



4344-601

Figure 6-3. 318/338 circuit board locations.

REMOVAL AND REPLACEMENT INSTRUCTIONS

WARNING

To avoid electric shock, disconnect the instrument from the power source before removing or replacing any component or assembly.

The exploded-view drawing in the Replaceable Mechanical Parts section may be helpful in the removal or disassembly of individual components or sub-assemblies. Component locations are shown in the Diagrams section.

Read these instructions completely before attempting any corrective maintenance.

Removing the Cabinet

WARNING

Before removing the cabinet, disconnect the power cord from the back of the instrument. As the cabinet is being removed, do not touch any component on the CRT circuit board which is mounted in the chassis under the CRT.

The cabinet can be removed by loosening the screws retaining the rear panel and taking out the one screw that secures the cabinet to the bottom of the chassis. Carefully slide the cabinet off the chassis, being careful not to touch any components on the CRT circuit board. To reinstall the cabinet, slide it over the chassis. Ensure that any cable leading from the boards fits into the recess in the boards. See Figure 6-4.

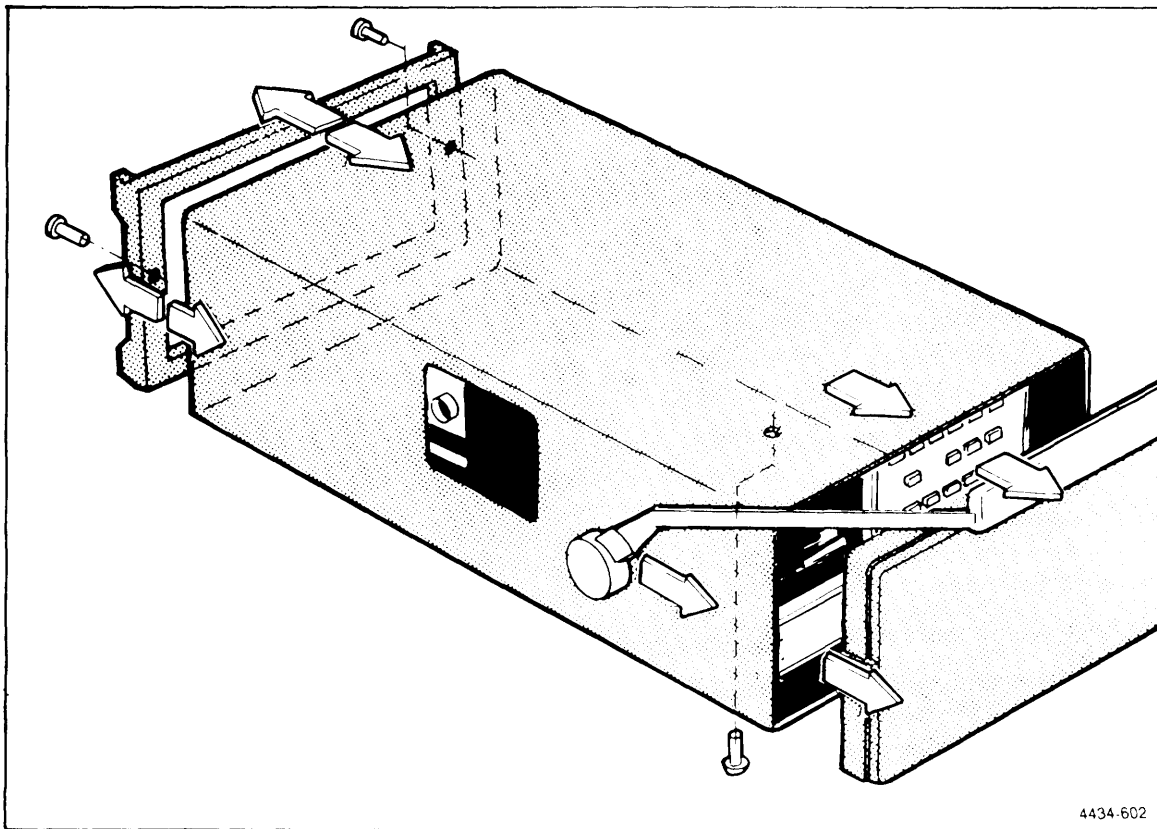


Figure 6-4. Cabinet removal.

Removing the Front Panel

Front panel removal is accomplished by using a 1/16-inch hex key wrench to remove the four screws holding the front panel in place. Unsolder the lead to the screw post, then carefully pull the front panel away from the 318/338 and lay it face-down in front of the instrument. To reinstall the front panel, resolder the lead to the screw post, position the panel in place, and secure it with the four screws.

Removing the Keyboard

The keyboard is an assembled matrix that fits behind the 318/338's front panel. Refer to Section 10, *Replaceable Mechanical Parts*, for a detailed drawing and part numbers. To remove the keyboard, proceed as follows:

1. Remove the front panel (see *Removing the Front Panel*).
2. Remove the six screws that hold the keyboard in place.
3. Gently pull the keyboard assembly toward you and disconnect the 16-pin, square-pin connector located near the power switch. The LED, resistors, connector, screws, and keycaps are all individually replaceable; the large black switch assembly is replaceable as a unit.
4. When reassembling the keyboard unit, make sure the 16-conductor connector located under the CRT is correctly indexed with the notch in the cabinet.

Removing the Power Supply Circuit Boards

The power supply assembly is fastened to the main chassis with four screws and contains the Inverter and Regulator Power Supply boards. To remove the Power Supply boards, proceed as follows:

1. Remove the cabinet (see *Removing the Cabinet*).

WARNING

Dangerous voltage potentials may exist in the power supply circuitry. Allow approximately three minutes for the power supply filter capacitors to discharge before proceeding with the next step.

2. Support the power supply assembly with one hand while removing the four screws that fasten it to the main chassis. Lift off the power supply assembly. Refer to Figure 6-5.
3. If the Inverter board is being taken out, remove the screw that retains the cover plate at the top of the power supply assembly and lift off the plate. If the Regulator board is being taken out, remove the screw that retains the bottom cover plate.
4. Remove the four screws that hold the board to the power supply assembly chassis.
5. If the Inverter board is being removed, disconnect J2, J3, J7, J9, and the jack that connects to the fan from the board. If the Regulator board is being removed, the same connections must be disconnected from the board.
6. Lift out the board and replace any defective components.

The power supply transistors and their mounting bolts are insulated from the board. In addition, silicon grease is used to increase heat transfer capabilities. Reinstall the insulators and replace the silicon grease after working on these transistors. The grease should be applied to both sides of the mica insulators and should be applied to the bottom sides of the transistor where it comes in contact with the insulator.

NOTE

After replacing a power transistor, check that the collector is not shorted to ground before applying power.

WARNING

Handle silicon grease with care. Avoid getting silicon grease in the eyes. Wash hands thoroughly after use.

7. To reinstall the board, position it in place on the chassis and replace the four screws.
8. Reinstall connections previously disconnected in step 5 while observing for correct arrow alignment.
9. Position the cover plate in place and secure it with the two retaining screws.
10. Secure the power supply assembly to the instrument main chassis with the four retaining screws.
11. Reinstall the cabinet.

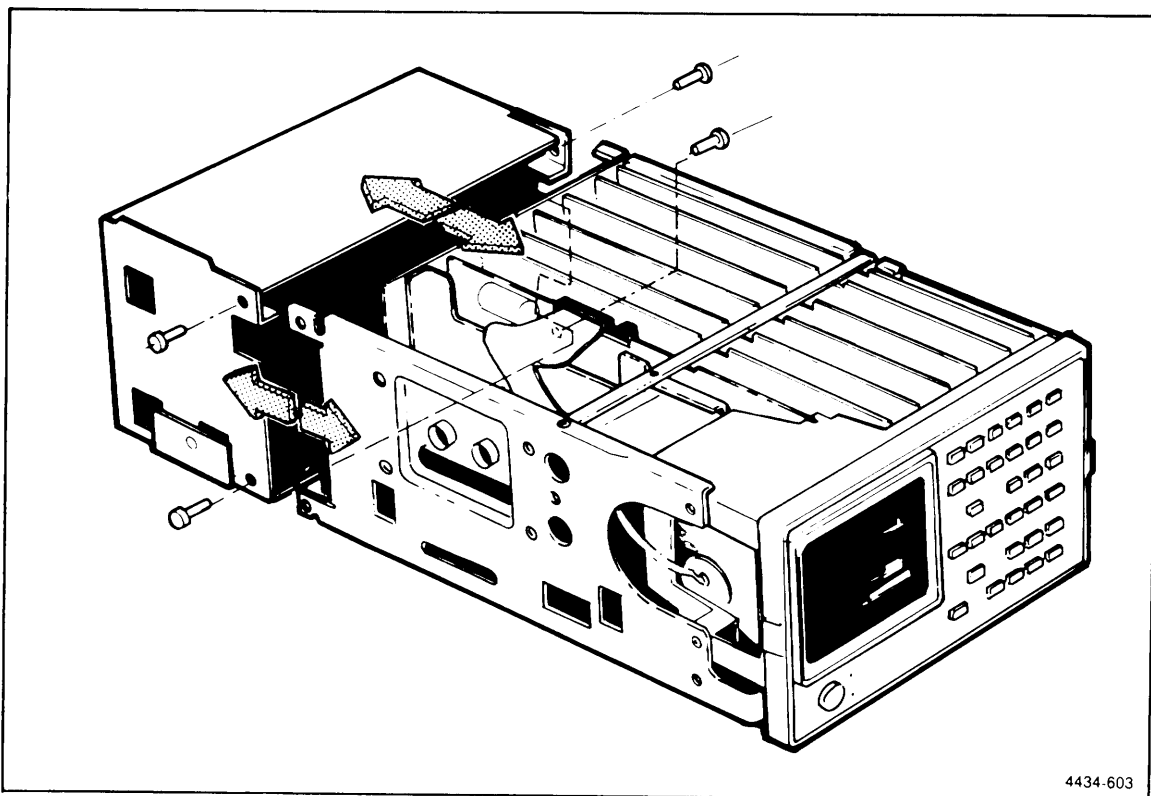


Figure 6-5. Power Supply Removal.

Removing the CRT Circuit Board

1. Remove the cabinet (see Removing the Cabinet).

WARNING

The CRT anode and the output terminal of the high-voltage multiplier may retain a high-voltage charge after the instrument is turned off. To avoid electrical shock, ground both the output terminal of the multiplier and the CRT high-voltage anode lead to chassis ground before disconnecting the high-voltage lead.

2. Ground the CRT high-voltage lead to chassis ground, then disconnect the high-voltage lead from the CRT by squeezing the spring clip in the connector and pulling it outward.
3. Loosen the high-voltage lead from any tight places on the chassis so that it will permit removal of the CRT circuit board.
4. On the CRT circuit board, disconnect P040, P001 and P100, noting their location.
5. Remove the three screws that secure the board to the chassis.
6. Carefully remove the CRT circuit board from the chassis.
7. To reinstall the CRT circuit board, position it into place on the chassis and secure it with the three retaining screws.
8. Reconnect P040, P001, and P100 while observing correct arrow alignment.
9. Reroute the high-voltage lead and connect it to the CRT.
10. Reinstall the cabinet.

Removing the Cathode-Ray Tube (CRT)

WARNING

Use care when handling a CRT. Protective clothing and safety glasses should be worn. A void striking it on any object which might cause it to crack or implode. When storing a CRT, place it in a protective carton or set it face down on a smooth surface in a protected location with a soft mat under the faceplate to protect it from scratches.

1. Remove the cabinet (see Removing the Cabinet).

WARNING

The CRT anode and the output terminal of the high-voltage multiplier may retain a high-voltage charge after the instrument is turned off. To avoid electrical shock, ground both the output terminal of the multiplier and the CRT high-voltage anode lead to chassis ground before disconnecting the high-voltage lead.

2. Ground the CRT high-voltage lead to chassis ground, then disconnect the high-voltage lead from the CRT by squeezing the spring clip in the connector and pulling it outward.
3. Carefully disconnect the socket from the back of the CRT.
4. Remove the front panel (see Removing the Front Panel). This exposes the lower part of the CRT bezel and its two retaining screws.
5. Remove the two bezel-retaining screws.

WARNING

To prevent injury resulting from the CRT dropping out, keep the instrument in a horizontal position, leaving sufficient work area in front of the CRT.

6. Swing the bottom of the bezel outward and remove both the bezel and the light filter.
7. Carefully guide the CRT out of the front of the 318/338.
8. To reinstall the CRT, carefully guide the replacement CRT into its housing from the front of the 318/338.
9. Position the bezel and light filter over the face of the CRT and reinstall them. This will require some pressure on the face of the CRT to insert it to the proper depth. Press the light filter against the CRT while installing the bezel. Then hold the bezel and install the two retaining screws.

CAUTION

When reinstalling the CRT circuit board screws, ensure that the front-panel ground lead is reinstalled on the inside front screw.

10. Reinstall the front panel.

**TROUBLESHOOTING
TREES**

MAINTENANCE: TROUBLESHOOTING

This section contains information about the 318/338 Logic Analyzer Diagnostic tests and troubleshooting trees. The test descriptions and Diagnostic trees are divided into two sections. The first half of this section describes the Diagnostic tests available for the 318. The Diagnostic trees for the 318 are located at the end of the test descriptions. The Diagnostic test descriptions and trees for the 338 are located in the second half of this section. Refer to the page-edge tabs for help in locating the information you need.

318 DIAGNOSTIC TEST DESCRIPTIONS

INDEX OF 318 DIAGNOSTIC TEST DESCRIPTIONS

Mainframe

1. Keyboard Test
2. CRT Test
3. Jump Table ROM Test
4. Display RAM Test
5. SYSTEM RAM Test
6. ROM Test

Parallel Analyzer

7. Clock Test
8. Word Recognizer Test
9. Acquisition RAM Test
10. Sequence RAM Test
11. N & DELAY Test
12. Threshold Test
13. SEQ Test

318S1 Serial Analysis/RS232C/NVM

14. Battery Test
15. Non-Volatile Memory Test
16. RS-232 Test
17. Serial Test

318 DIAGNOSTIC TEST COMMON SIGNAL PATHS

Some Diagnostic Tests share a common signal path for setting up or reading data. When two or more Diagnostic tests that shares the same signal path indicate a failure, the components in the path may be the cause of the test failure.

Table 7-1 lists the components common to the signal paths that cause multiple Diagnostic Test failures.

Table 7-1
318 DIAGNOSTIC TEST COMMON SIGNAL PATHS

Clock	Threshold	WR	ACQ	SGRAM	N&DL	SEQ	Component
X	X	X	X	X	X	X	A04 U152, A04 U150 A03 U126, A03 U112 A04 U110
		X	X	X	X	X	A04 U146, A04 U142 A04 U114, A03 U112 A04 U110
X					X		A03 U156, A03 U158 A03 U112, A04 U110 A04 U148 (VBB)
X	X		X				A04 U148, A04 U144 A03 U112, A04 U110
		X		X			A03 U146, A03 U108 A03 U126, A03 U112
		X	X			X	A01 U100 to U110 A02 U200 to U214 A02 U220, A02 U222 A01 U112, A01 U114 A02 U232, A02 U234
					X	X	A03 U106, A03 U108 A03 U114, A03 U116 A03 U118, A03 U130 A03 U142
			X			X	A03 U106, A03 U108 A03 U114, A03 U116 A03 U118, A03 U130 A03 U132, A03 U142 A03 U140, A03 U156

MAINFRAME

1. KEYBOARD TEST

Program: KBD

Function:

Power on - When power is turned on, the KBD program checks the keyboard to see if any keys are stuck in the closed position. The MPU reads the resulting data at address $E0_{hex}$ and verifies that all data bits are low.

Troubleshooting - Refer to Figure 7-1. The keyboard generates an interrupt and sends a corresponding key code to the MPU when any key except the STOP key is pressed. The MPU reads the key code at $E0_{hex}$ upon receiving the interrupt from the keyboard, and blinks the corresponding rectangle in the key array on the screen. This function also provides a check to see that each key (except the STOP key) is providing the correct key code to the MPU.

The STOP key is used to exit this program; thus the STOP key can be checked at the end of this test.

Description: Key codes are generated by the A09 board when any key is pressed. The Y-lines and X-lines of the key matrix on the A09 board (excepting the STOP key) are connected to U300 and U310 (8-bit priority encoder, 4053BP) on the A06 MPU/DISPLAY board through the A08 Mother board. U310 is enabled when U300 receives a key signal and issues an INT (Maskable Interrupt) to the MPU through the CR timer circuit. The INT is controlled by U220 (NAND gate, TC4093) on the A06 board with KBMASKP from U100 (hex D-type flip-flop with reset, 74LS174) on the A05 ROM/Threshold board .

The STOP key on the A09 board generates the NMI (Non-Maskable Interrupt) directly to the MPU through the A08 board without decoding, though it is buffered by U200 (inverter, TC4093) on the A06 board. This signal is also controlled by the CR timer to avoid key chattering.

The MPU reads the key code from U320 (octal buffer/line driver with tri-state output, 40H244) on the A06 board, usually on interrupt at $E0_{hex}$. KBCSP, which enables this buffer, is delivered from U092A (dual 2-line to 4-line decoder/demultiplexer) on the A05 board when the MPU accesses I/O address $E0_{hex}$.

A key code with interrupt is expected as shown in Table 7-2.

Table 7-2
318 KEYBOARD TEST KEY CODE AND INTERRUPT ASSIGNMENT

7	6	5	4	3	2	1	0
ST	0	D5	D4	D3	D2	D1	D0

ST:1 if any key is pressed, otherwise 0.

Key Code Assignment. Blocks correspond to the key position on the front panel.

00	08	10	18	20	28
01	09	11	19	21	29
--	0A	--	1A	22	2A
03	0B	13	1B	23	2B
--	0C	--	1C	24	2C
05	--	STOP	1D	25	2D

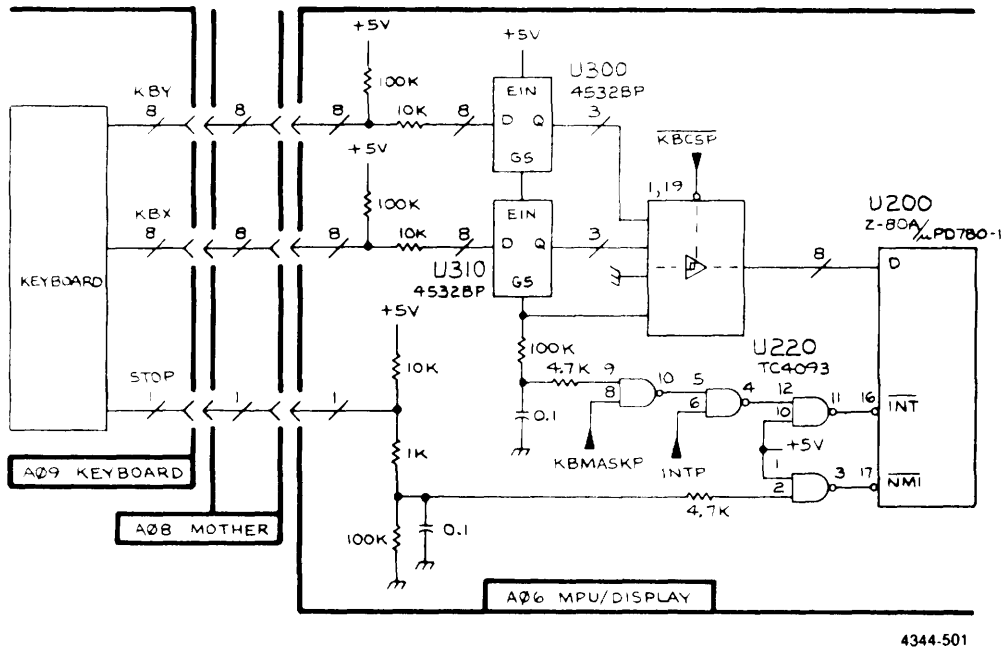


Figure 7-1. 318 Keyboard test schematic.

2. CRT TEST

Program: CRT

Function:

Power on - None.

Troubleshooting - The CRT generates the following four kinds of patterns for the CRT adjustment and visual check.

1. Cross-hatch pattern
To adjust the CRT circuit.
2. White pattern
To check for phosphor defects.

3. All character fonts for the parallel analyzer mode.
 To check the CRT circuit and the Character ROM (CROM) for parallel operation.
4. All character fonts for the serial state analyzer mode.
 To check the CRT circuit and the CROM for serial operation.

Description: Refer to Figure 7-2. The CRT displays 32 characters by 20 lines of data from the Display RAM U515 (16 K-bits static CMOS RAM, uPD446/HM6116P) on the A06 MPU/Display board. Each character in the CRT display uses two bytes of data, consisting of one selection code followed by one character code. A total of 1280 bytes of the Display RAM are used, ranging from address E800 to ECFF.

The MPU writes two bytes of data (for each character to be displayed) into the Display RAM through both U525 (octal bus transceiver, 40H245) and U500 (display controller, MB62110) on the A06 board.

The Display Controller sends the first address to the Display RAM to select the character code to be displayed, and instructs U520 (octal D-type flip-flop, 40H273) on the A06 board to store the output data from the Display RAM. This data is supplied to the Character ROM U530 (32 K-bits mask ROM, 2332) on the A06 board to select the character font. The Display Controller receives this font code and sends the second address to the Display RAM to get a control code.

Then the Display Controller issues Z, GLITCH, CHD, and VD signals to the A10 CRT board, along with these two bytes of data. These signals are buffered and/or controlled and sent the A10 board through the A08 Mother board.

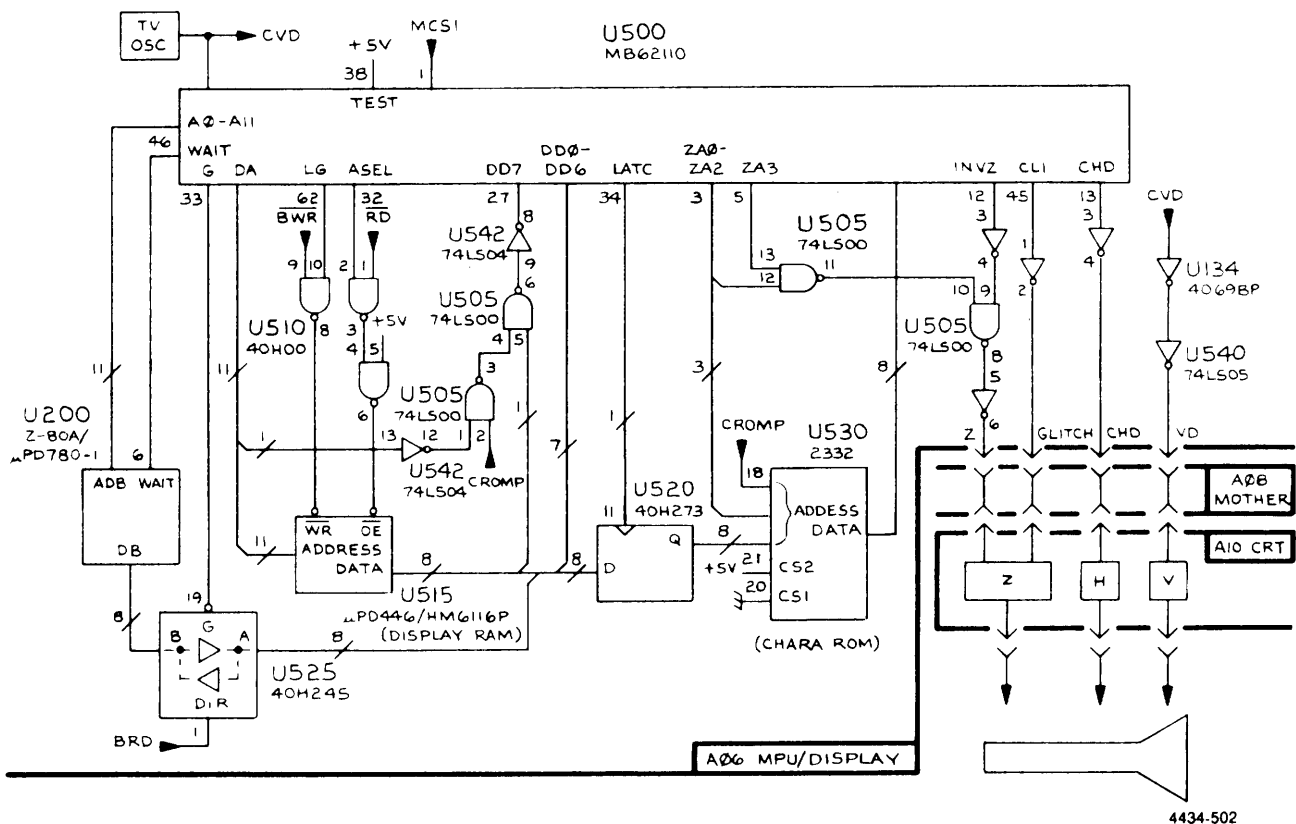


Figure 7-2. 318 CRT calibration and check schematic.

3. JUMP TABLE ROM TEST

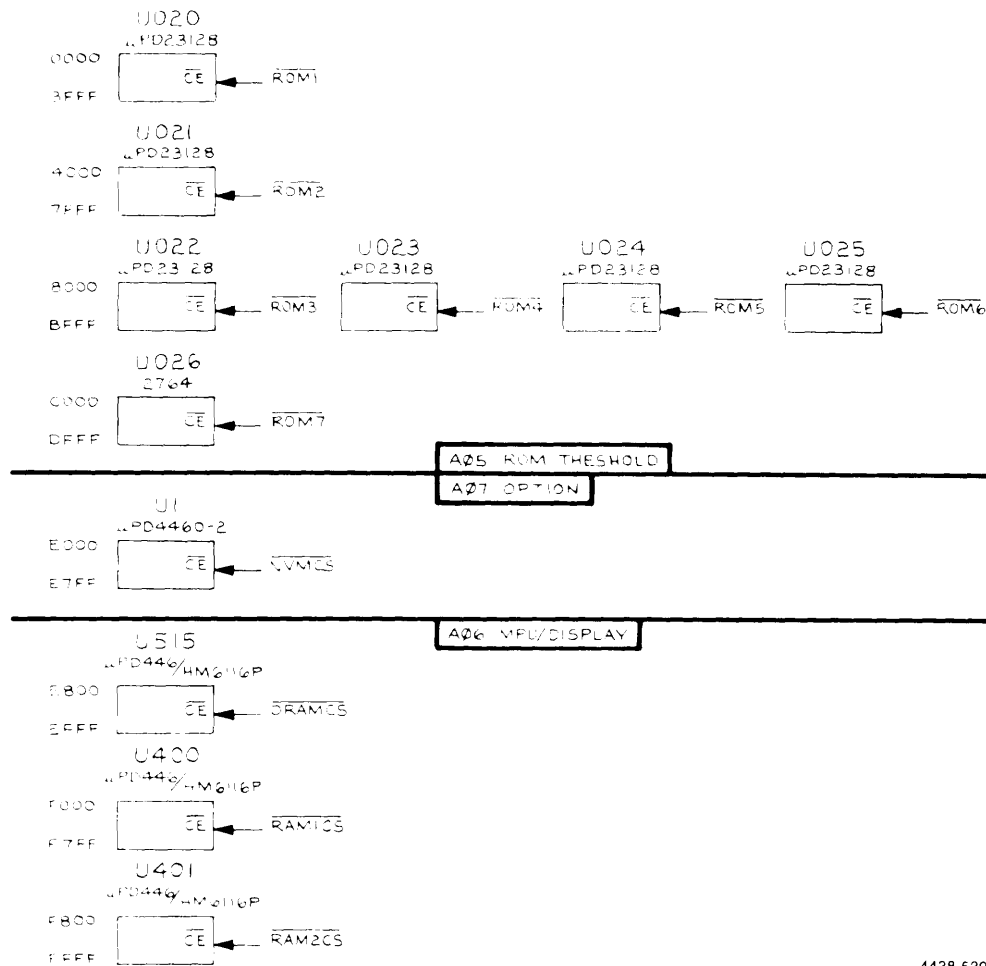
Program:

Function:

Power on - The Jump Table ROM, which contains the diagnostic routine itself, is checked by calculating its checksum from C000 to DFFF.

Troubleshooting - None.

Description: Refer to Figures 7-3 and 7-4. The diagnostic routine is located in addresses C000 through DFFF in the Jump Table ROM, U026 (64 K-byte UV EPROM, 2764) on the A05 ROM/Threshold board.



4438-539

Figure 7-3. 318 Memory map.

The MPU addresses the Jump Table ROM on board A05 through U210 and U212 (octal buffer/line receiver with tri-state output, 74LS244) on the A06 MPU/Display board via the A08 Mother board.

ROM7 enables the read operation of the Jump Table ROM. It is generated by U005 (DUAL 2-LINE TO 4-line decoder/demultiplexer, 74LS139). U001 (74LS139) on the A05 board decodes the BM1, BMREQ, and AB11 through AB15 signals.

The MPU reads the output data from the Jump Table ROM U026 through U045 (octal bus transceiver with 3-state output, 74LS245) via the A08 board.

The MPU calculates the checksum with all the data contained in the Jump Table ROM, and compares it with the expected value, also stored in this ROM. If the values do not match, the MPU issues an error message.

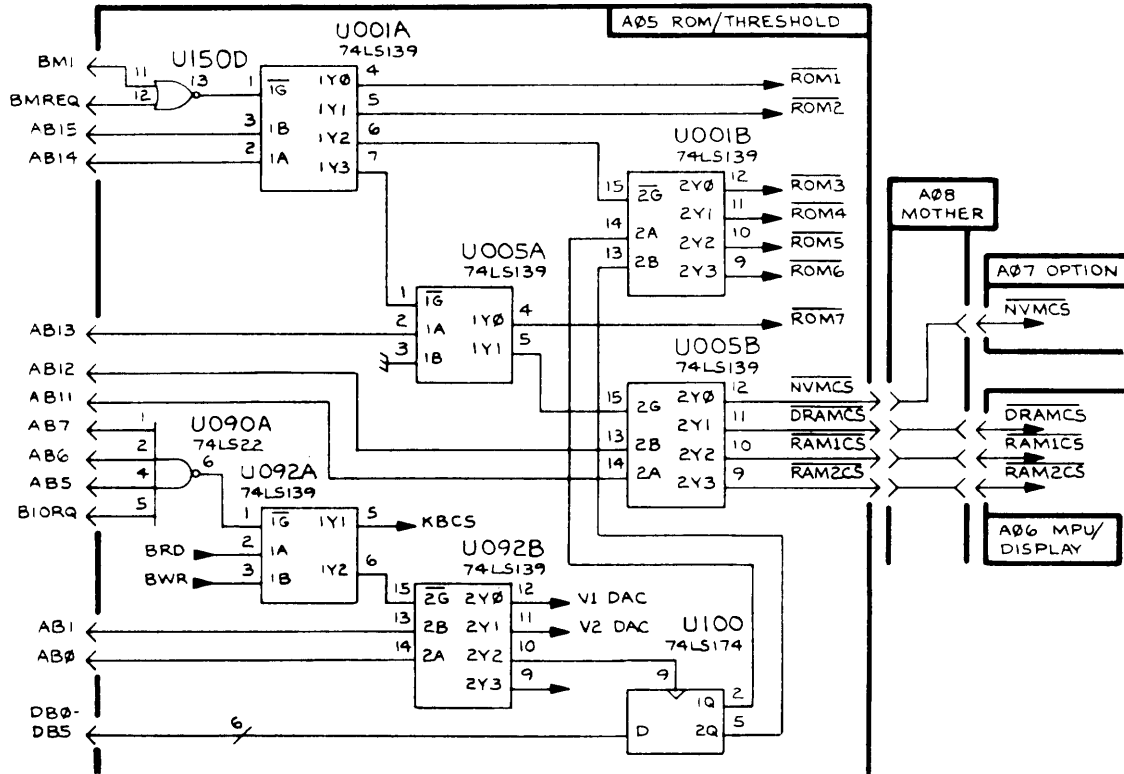


Figure 7-4. 318 MPU memory address assignment.

4. DISPLAY RAM TEST

Program:

Function:

Power on -The Display RAM is checked with a checkerboard marching pattern from E800 to EFFF. (A checkerboard marching pattern is an alternating 0 and 1 pattern that is loaded into a memory location, checked, shifted, and then checked again.)

Step 1. The word 55 is written into all RAM addresses.

Step 2. A word is read from a diagnostic cell and checked with the expected word 55. If it is not equal to word 55, an error message is displayed and the MPU is halted.

Step 3. If the previous test was successfully completed, the word AA is written into that cell. Then a word in the same cell is read back and compared with AA. If it is not equal to AA, an error message is displayed and the MPU is halted.

Step 4. Steps 2 and 3 are repeated for all RAM addresses.

Troubleshooting - None.

Description: The read and write operation on the Display RAM U515 (16 K-bit static CMOS RAM, uPD446/HM6116P) on the A06 MPU/Display board is completely controlled by Display Controller U500 (display controller, MB62110) on the A06 board.

The MPU reads/writes data from/to the Display RAM through U525 (octal bus transceiver, 40H245) on the A06 board, which is enabled by the Display Controller and the data direction is specified (read or write) by the MPU's read signal. The addresses to the Display RAM are supplied by both the MPU and the Display Controller, however the addresses from the MPU are sent to the Display Controller and the Display Controller gates these signals to the Display RAM.

If there is competition between the MPU and the Display Controller for access to the Display RAM, the Display Controller forces the MPU to wait until it completes the current read operation by asserting the WAIT signal to the MPU.

The MPU checks the Display RAM with a checkerboard marching pattern. The read and write sequences are already mentioned in the preceding Power on paragraph. If the data read is incorrect, the MPU will display an error message.

5. SYSTEM RAM TEST

Program

Function

Power on - SYSTEM RAMs are checked with a checkerboard marching pattern from addresses F000 through F7FF and from F800 through FFFF.

Step 1. The word 55 is written into all RAM addresses.

Step 2. A word is read from a selected diagnostic cell and checked against the expected word 55.

If it is not equal to word 55, an error message is displayed and the MPU is halted.

Step 3. If the first test is successfully completed, the word AA is written into that cell. Then the word in the same cell is read back and compared with AA. If it is not equal to AA, an error message is displayed and the MPU is halted.

Step 4. Steps 2 and 3 are repeated for all RAM addresses.

Troubleshooting - None.

Description: RAMs U400 (F000-F7FF) and U401 (F800-FFFF) on the A06 MPU/Display board used by the MPU are called the System RAM. The MPU Data Bus (DO-D7) and the partial MPU Address Bus (AO-A10) are directly connected to these RAMs.

The chip select signals, $\overline{\text{RAM1CS}}$ and $\overline{\text{RAM2CS}}$ are generated by U005 (dual 2-line to 4-line decoder/multiplexer, 74LS139) on the A05 ROM/Threshold board. These signals are sent to the System RAMs through the A08 Mother board.

The MPU checks the System RAMs with the checkerboard marching pattern. The read and write sequences are mentioned in the *Power on* section above. If the data read is incorrect, the MPU will issue an error message.

6. ROM TEST

Program:

Function:

Power on - ROM1 through ROM6 are checked by individually calculating their checksums.

Troubleshooting - None.

Description: Refer to Figure 7-5. All the ROMs (ROM1 through ROM7) are located on the A05 ROM/Threshold board.

Table 7-3
318 ROM TEST ADDRESS ASSIGNMENT

ROM	U#	Address	Enabled by
ROM1	U020	0000-3FFF	/ROM1
ROM2	U021	4000-7FFF	/ROM2
ROM3	U022	8000-BFFF	/ROM3
ROM4	U023	8000-BFFF	/ROM4
ROM5	U024	8000-BFFF	/ROM5
ROM6	U025	8000-BFFF	/ROM6

The chip-select signals for $\overline{\text{ROM1}}$ and $\overline{\text{ROM2}}$ are decoded by U001 (dual 2-line to 4-line decoder/demultiplexer, 74LS139) on the A05 ROM/Threshold board. All the other chip select signals are doubly decoded. $\overline{\text{ROM3}}$, $\overline{\text{ROM4}}$, $\overline{\text{ROM5}}$, and $\overline{\text{ROM6}}$ are decoded by U001 B (74LS139) which is enabled by U001A (74LS 139) on the A05 board. These ROMs are also selected by two data bits from U100 (74LS174) on the A05 board in order to constitute four pages of ROM.

The MPU reads data from these ROMs through U045 (octal bus transceiver with tri-state output, 74LS245) on the A05 board and through the A08 Mother board. The MPU addresses are sent to these ROMs and the decoders (74LS139) on the A05 board via U210 and U212 (octal buffer/line driver with tri-state output, 74LS 244) on the A06 MPU/Display board and through the A08 board. The MPU control signals are also provided through U214 (octal buffer/line driver with tri-state output, 74LS240) on the A06 board and through the A08 board.

The MPU calculates the checksum for each ROM and determines whether it is correct or not. If it is incorrect, an error message will be displayed.

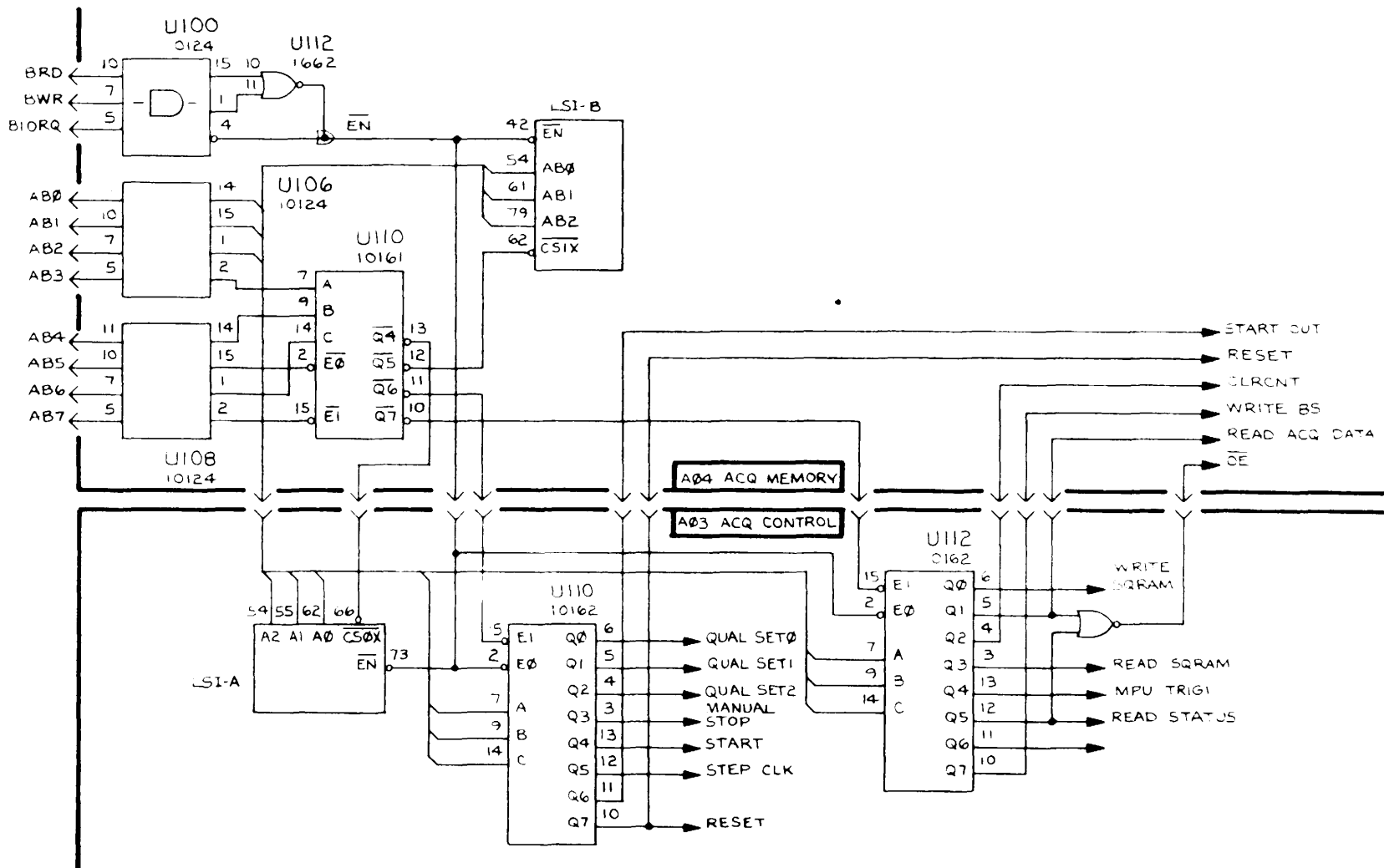


Figure 7-5. 318 A03 and A04 Partial ACQ address assignment.

PARALLEL ANALYZER

7. CLOCK TEST

Program: CLK

Function

Power on - The timebase is programmed for several ranges; its operation is checked by the MPU, which monitors the slow clock flag on each timer interrupt.

Troubleshooting - This is not a verification test, but the user should observe the timebase with an oscilloscope or some similar instrument. ALL (all programmable timebases) or SINGLE (one particular timebase) can be selected from the menu for this test.

If ALL is selected, each of the possible timebase values is sequentially set up into the timebase and tested for approximately five seconds. The next timebase value is then loaded. This test will run continuously until the STOP key is pressed. The CRT screen will display the timebase range being set up. If SINGLE is selected, the user enters the range to be observed using the keyboard and then presses the START key. In this case, nothing will appear on the screen.

The following programmable timebase ranges are available:

20nS, 50nS, 100nS, 200nS, 500nS, 1 μ S, 100uS, 1mS, 10mS, 1S

Description: Refer to Figure 7-6. The Slow Clock Detector compares the SYSCLK signal coming into this detector with the gate clock internally selected. As long as the SYSCLK is two or more times as fast as the gate clock the slow clock flag is not set. If the SYSCLK is less than twice as fast as the gate clock the slow clock flag is set.

This program also checks the clock path using the Slow Clock Detector.

The MPU selects the internal CLK by writing 111110_{binary} into shift register U224 (hex D master-slave flip-flop, 10176) on the A02 INPUT-B board at I/O address 01_{hex}. This shift register enables U222B (dual 3-input 3-output NOR gate, 10211) on the A02 board which transmits the INTCLK signal.

The Slow Clock Detector, the Timer, and their associated circuits are located in U140 (timebase, μ PB3Z1 99R) on the A04 ACQ Memory board. The Timer is programmed to generate an interrupt to the MPU every 100 ms. Then the MPU unmask the Timer Interrupt and sets the gate clock and the SYSCLK interval as shown in Table 7-4.

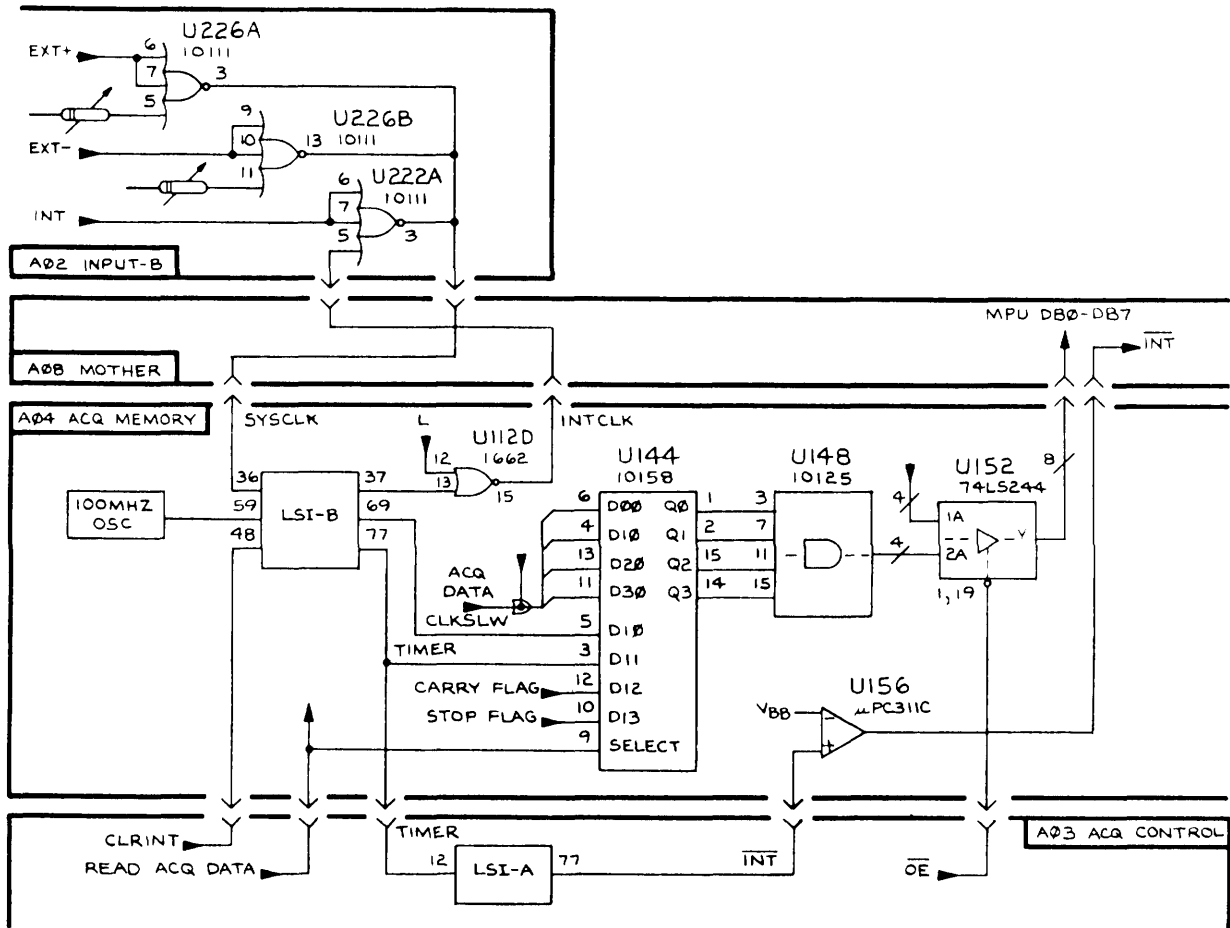
Table 7-4
318 CLOCK TEST PROGRAM RANGES

Gate Clock	SYSCLK	SLOW CLOCK flag
1 ms	20 ns	reset
	50 ns	reset
	100 μ s	reset
	1 ms	set
	200 μ s	reset
	2 ms	set
	50 μ s	reset
	5 ms	set
10 ms	500 μ s	reset
	10 ms	set

The INTCLK signal is generated by the timebase circuit, U140, which counts 10 ns clock pulses to produce a range of timebase signals ranging from 20 ns to 500 ms. The INTCLK signal is buffered by U112 (quad 2-input NOR gate, MC1662) on the A04 board. This signal is sent to U222 on the A02 board through the A08 Mother board. The output of U222 is returned to the SYSCLK input of U140 on the A04 board via the A08 board.

U 158 (event/delay counter, uPD3Z198R) on the A03 ACQ Control board generates the interrupt to the MPU when it receives the timer signal from U 140 on the A04 board. This interrupt is sent to the MPU as \bar{INT} via U156 (comparator with open collector output, μ PD311C) and via the A08 board.

The MPU reads the status by issuing READ STATUS at I/O address $5D_{hex}$ through U152 (octal buffer/line driver with tri-state output, 74LS244). U152 is enabled by \bar{OE} from U126 (quad 2-input NOR gate, 10102). The status from U140 is selected by U144 (quad 2-input multiplexer, 10158) on the A04 board and is converted from ECL to TTL level. Then it is fed to U152 on the A04 board for the MPU. The MPU compares the slow clock flag with the expected value (see Table 7-4), and displays an error message if it does not match.



4434-549

Figure 7-6. 318 Clock test.

8. WORD RECOGNIZER TEST

Program: WR

Function :

Power on - The word recognition (WR) RAMs are checked with the checkerboard marching pattern from 00 through FF.

Step 1. The word 15 is written into all RAM addresses.

Step 2. A word is read from a diagnostic cell and checked with the expected word 15.

If it is not equal to word 15, an error message is displayed and the MPU is halted.

Step 3. If the first test is successful, the word 2A is written into that cell. The word is then read back out of the cell and its value is compared with 2A. If it is not equal to 2A, an error message is displayed and the MPU is halted.

Step 4. Steps 2 and 3 are repeated for all RAM addresses.

Troubleshooting - This test is the same as that automatically run when the power is first turned on, but here the looping test feature is available. The LOOP field can have any of the following 4 options; OFF, I/O, ERROR, and TEST. When the field is set to I/O, the looping feature allows only I/O instructions to be run repeatedly. The I/O address will appear on the screen. When the field is set to ERROR, the looping feature allows the tests in which an error is detected to be run repeatedly. When the field is set to TEST, the looping feature allows one test, or sequence of tests, to be run continuously. When the field is set to OFF, the looping feature is not available and one test, or sequence of tests, runs once.

When the field is set to I/O or ERROR, the prompt message START TO ADVANCE appears at the bottom of the the screen. If START is pressed during LOOP tests, the current loop of the test stops and the next loop of test is started, You can change fields during tests. Use this feature to catch intermittent faults and for circuit tracing with an oscilloscope.

In the I/O Looping test, only one or more OUT instructions (subroutines) including one of the following addresses will be run. Unless STOP is pressed, this test will loop continuously without displaying the result of the verification. Use an oscilloscope to observe the word recognizers.

Table 7-5
318 WORD RECOGNIZER TEST PORT ADDRESSES (Hex)

Address	Content of Looping Test
03	increment WR-address counter for WRO test.
5B	write WRO data55 into data latch.
5B	write WRO dataAA into data latch.
03	increment WR-address counter for WRI test.
5B	write WR1 data55 into data latch.
5B	write WR1 dataAA into data latch.

The ERROR looping feature is available only if errors are detected. If no errors are detected the test will perform as if the LOOP test were set to OFF. If some errors are detected, the ERROR looping feature is available for the read cycle of the test. and the result of this verification will appear on the screen. Refer to *Appendix B* of this manual for a description of error codes.

Description: Refer to Figure 7-7. On the A01 INPUT-A board, data from channels 0 through 7 (Pod- A) is latched by M218s U100 through U114 <1> (logic analyzer input, M218) and supplied to the word recognizer (WR) U120 (256 word X

word recognizer (WR) U120 (256 word x 4 bit RAM, HM10422) for trigger detection. These output lines are wired together with U124 and U126 <2> (4-bit *binary* counter, F10016) outputs, respectively, to set up the WR.

During acquisition, the outputs of U124 and U126 are held at the reset level by the counter signal from U132 (quad TTL-TO-ECL translator, 10124) which is generated by U130 (3-line to 8-line decoder/demultiplexer, 74LS 138) when the MPU writes any data at I/O address 02_{hex}.

During WR setup, all the M218's outputs are set to off (low level) by the OFF/ON signal (TTL swing, shifted to -5V) from U240A (quad comparator, μ PC339C) on the A02 INPUT-B board. This signal is delivered from U224 (hex D master-slave flip-flop, 10176) on the A02 board when the MPU writes X1XXX_{binary} serially at I/O address 01_{hex}. This operation enables U124 and U126 to act as a WR address counter to point to any address in the WR. This WR address counter can be incremented by a clock pulse generated when the MPU writes to address 03_{hex}.

The word written into the WR is provided along with signals EDB0, EDB1, and EDB2 from the A04 ACQ Memory board, (translated from the TTL-level of the MPU data bus to ECL-level) The write pulse to the WR is generated by U130 (74LS138), and is converted to ECL-level by U132 (10124) when the MPU writes at I/O address 00_{hex}.

For channels 8 through 15 on the A02 board, the operation is the same as that described in the preceding paragraph. The words for WR U220 (HM10422) are supplied from EDB3, EDB4, and EDB5.

Each output of these two WRs is wired together on the A08 Mother board, and the outputs are sent to U136 and U138 (dual type D master-slave flip-flop, 10231) on the A03 ACQ Control board for triggering. These signals are routed to U146 (quad 2-input multiplexer/latch, 10173) on the A03 board. The data to U146 (10173) is latched by READ SGRAM from U112 (*binary* to 1-8 line decoder, 10162) through inverter U126 (quad 2-input NOR gate, 10102), after being selected by LDSGRAM from U108 (hex D master-slave flip-flop, 10176) on the A03 board. LDSGRAM is set when the MPU writes X1XXXX_{binary} at I/O address 51_{hex} and READ SGRAM is generated by the MPU's access to I/O address 5B_{hex}.

The four outputs of U146 (10173) are connected to U142 (quad 2-input multiplexer, 10158) on the A04 board with the outputs of the ACQ Memories U1 6 to U130 (HM10422) on the A04 board. Thus, all the ACQ Memories should be set to off by forcing BS high. This is done by writing 1F_{hex} into U114 (hex D master-slave flip-flop, 10176) on the A04 board with WRITE BS from U112 (10162) on the A03 board.

The MPU reads the data from U152 (octal buffer/line driver with tri-state output, 74LS244) on the A04 board, when U152 is enabled by OE from U112 (10162) via U126 (10102) on the A03 board. The data fed to U152 (74LS244) is selected by U142 (10158) on the A04 board with the READ SGRAM signal from U112 (10162) on the A03 board at I/O address 59_{hex}. The data is translated from ECL to TTL level by U146 (quad ECL-TO-TTL translator, 10125) on the A04 board.

The MPU follows steps 1 through 4 of the I/O operation described in *Power* on paragraph at the beginning of this test section, and compares the data with the expected value for each I/O read. If the data is wrong, the MPU will issue an error message.

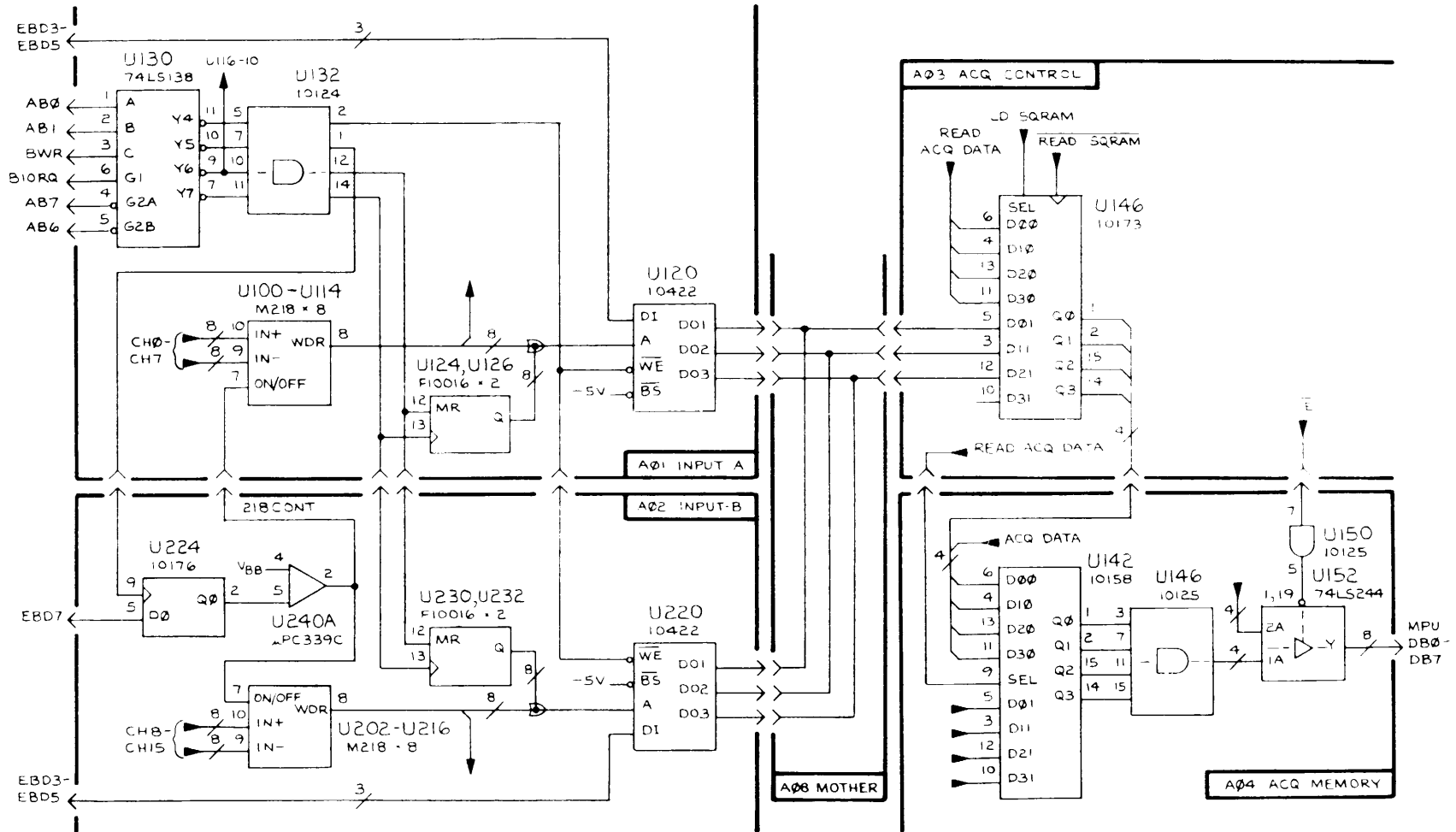


Figure 7-7. 318 Word recognizer test.

9. ACQUISITION RAM TEST

Program: ACQ

Function:

Power on - All the ACQ RAMs are checked with the checkerboard marching pattern from 00 through FF.

Step 1. The word 55 is written into all RAM addresses.

Step 2. A word is read from a diagnostic cell and compared with the expected word 55.

If the diagnostic cell's value is not equal to 55, an error message is displayed and the MPU is halted.

Step 3. If no error is found in the above test, the word AA is written into that cell. Then a word in same cell is read back and is compared with AA. If that word is not equal to AA, an error message is displayed and the MPU is halted.

Step 4. Steps 2 and 3 are repeated for all RAM addresses.

Troubleshooting - This test is the same as that performed automatically when the power is turned on, but here the Looping test feature is available. The Looping feature has four options; OFF, I/O, ERROR, and TEST. When the field is set to I/O, the looping feature allows only I/O instructions to be run repeatedly. The I/O address will appear on the screen. When the field is set to ERROR, the looping feature allows the tests in which an error is detected to be run repeatedly. When the field is set to TEST, the looping feature allows one test, or sequence of tests, to be run continuously. When the field is set to OFF, the looping feature is not available and one test, or sequence of tests, runs once.

When the I/O Looping test is selected, only those OUT instructions (subroutines) including one of the addresses listed in Table 7-6 below will run. Unless the STOP key is pressed, the selected portions of the test will loop continuously without displaying the result of the verification. In this case, use an oscilloscope to observe the acquisition circuit board.

Table 7-6
318 ACQ TEST PORT ADDRESSES (Hex)

Address	Content of Looping Test
02	reset WR-address counter to increment WR-address counter to 55 to write 55 into the background of High-speed memory.
5A	write CS0 & CS1 into CS-latch to read 55 from High-speed memory.
55	write AA into High-speed memory after reading 55 from High-speed memory.
5A	write CS0 & CS1 into CS-latch to read AA from High-speed memory.
55	write 55 into High-speed memory after reading AA from High-speed memory.

When ERROR is selected in the looping test field, looping is available only if errors are detected. If no errors are detected, the test runs to completion just as if the looping function had been set to OFF. If some errors are detected, the ERROR looping feature is available for the read cycle of the test, and the result of the verification will appear on the screen. Refer to Appendix B of this manual for an explanation of error codes.

Description: Refer to Figure 7-8. The test data for ACQ Memories U1 16 to U122 <8> (256-word X 4-bit RAM, HM10422) on the A04 ACQ Memory board are generated by U124 and U126 <2> (4-bit *binary* counter, F10016) on the A01 INPUT-A board, and U230 and U232 <3> (F10016) on the A02 INPUT-B board, instead of using the M218's actual data. The operation for generating this pseudo data is the same as the one used in the WR Test.

Each output of both the M218s and the F10016s respectively are connected together and are delivered to U122 and U128 (hex D master-slave flip-flop, 10176) on the A01 board, and U228 and U234 (10176) on the A02 board (these flip-flops are used for delay). The outputs of the flip-flops are connected to each input of the ACQ memories on the A04 board through the A08 Mother board.

The addresses for the ACQ Memories are selected by U136 and U138 (4-bit binary counter, F10016) on the A04 board. These counters are set to COUNT ENABLE by U156 (quad 2-input NOR gate, 10102) on the A03 ACQ Control board, and are reset by RESET from U112 (10162) on the A03 board.

At least one pair of the ACQ Memories can be enabled by U114 (hex D master-slave flip-flop, 10176) on the A04 board, when the MPU writes the data into it at I/O address $5A_{hex}$ by WRITE BS from U112 (10162) on the A03 board.

The flip-flop U148A <7> (dual D master-slave flip-flop, 10231) sets the STOP condition, and is re-set by RESET from U110 (10162) on the A03 board. It also frees the WE line. START2, also from U110 (10162), enables the Strobe Generator circuit by setting the flip-flop U124B (dual D master-slave flip-flop, 10131) on the A03 board.

After the above setup is complete, the MPU selects the internal CLK and sets the timebase U140 (timebase, μ PB3Z199R) on the A04 board to generate a single clock pulse when the MPU writes to I/O address $4A_{hex}$. Then the MPU unmask the carry interrupt from both U136 and U138 (F10016) on the A04 board.

The MPU starts the test by performing steps 1 through 4 described in the Power On paragraph at the beginning of this section.

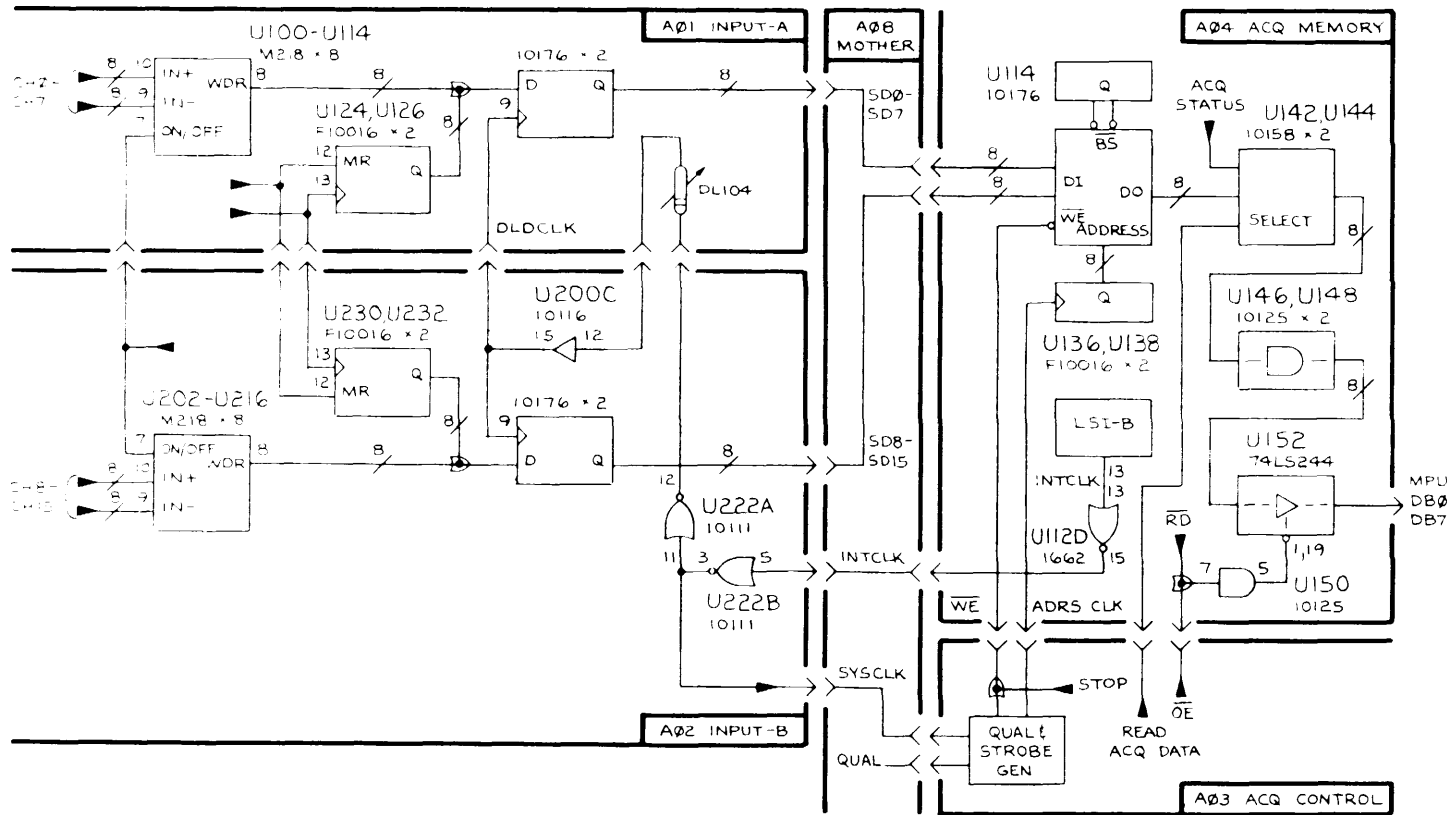


Figure 7-8. 318 ACQ memory test

Writing to I/O address $4A_{hex}$ generates the internal clock from U140 (μ PB3Z199R) on the A04 board. This clock is buffered by U112D (quad 2-input NOR gate, MC1662) and is sent to U222B (dual 3-input/3-output NOR gate, 10211) on the A02 board. Then this clock is returned to the Strobe Generator circuit on the A03 board, and is also sent to U222A (10211) on the A02 board to produce DLCLK in conjunction with DL104 (delay line, ZD10-20) on the A01 board. DLCLK clocks U122 and U128 (10176) on the A01 board and U228 and U234 (10176) on the A02 board. The Strobe Generator on the A03 board delivers WE and ADRS CLK to the A04 board unless the clock qualifier is set to off.

During the read phase, the MPU receives data from U152 (octal buffer/line driver with 3-state output, 74LS 244) by issuing READ ACQ DATA at I/O address 59_{hex}. The READ ACQ DATA signal switches the inputs of U142 and U144 (quad 2-input multiplexer, 10158) on the A04 board to the output of the ACQ Memories.

Outputs of the ACQ Memories are wired together with the outputs of U146 (quad 2-input multiplexer/latch, 10173) on the A03 board, or with Threshold TEST from U244C (QUAD 2-INPUT NOR GATE, 10102) on the A02 board via the A08 Mother board. These signals must be kept low in order to read the correct data from the ACQ Memories. To write 0's into U146 (10173) on the A03 board, the MPU loads 00 into the SGRAM U144 (256 word X 4 bit RAM, HM10422) on the A03 board, then changes the inputs of U146 (10173) to the SGRAM output and issues READ SGRAM. The output of U244C (10102) on the A02 board can be disabled by writing 1XXXX_{binary} serially into U224 (hex D master-slave flip-flop, 10176) on the A02 board at I/O address 01_{hex}.

The data read is checked by the MPU and an error message is displayed if the data is incorrect.

The MPU also checks the interrupt from the carry flip-flop U139A on the A04 board. The carry flip-flop is set when U136 and U138 (F10016) on the A04 board issue a carry bit at the same time.

10. SEQUENCE RAM TEST

Program: SGRAM

Function:

Power on - The SGRAM is checked with the checkerboard marching pattern from 00 through FF.

Step 1. The word 55 is written into all RAM addresses.

Step 2. A word is read from a diagnostic cell and compared with the expected word 55. If the selected word is not equal to 55, an error message is displayed and the MPU is halted.

Step 3. The word AA is written into that diagnostic cell. Then a word in same cell is read back and is compared with AA. If it is not equal to AA, an error message is displayed and the MPU is halted.

Step 4. Steps 2 and 3 are repeated for all RAM addresses.

Troubleshooting - This test is the same as that run automatically when the power is first turned on, but here the looping feature is available. The looping feature has 4 options; OFF, I/O, ERROR, and TEST. When the field is set to I/O, the looping feature allows only I/O instructions to be run repeatedly. The I/O address will appear on the screen. When the field is set to ERROR, the looping feature allows the tests in which an error is detected to be run repeatedly. When the field is set to TEST, the looping feature allows one test, or sequence of tests, to be run continuously. When the field is set to OFF, the looping feature is not available and one test, or sequence of tests, will run once.

When I/O looping is selected, only those looping instructions including one of the addresses listed in Table 7-7 will run. Unless the STOP key is pressed, the program will continue looping without displaying the result of the verification. In this case, the user should observe the ACQ. circuit board with an oscilloscope.

Table 7-7 318 SGRAM TEST PORT ADDRESSES (Hex)

Address	Content of Looping Test
5A	set CS all OFF into CS-latch to write 55 in the background of the SGRAM.
50	set 1 into QUAL (DO & D2) register and set 0 into QUAL (D1 & D3) register.
58	write 55 into the background of the SGRAM.
5B	SGRAM data is latched to read 55 from High-speed memory.
58	write AA into SGRAM after reading 55 from High-speed memory.
5B	SGRAM data is latched to read AA from High-speed memory.

When the ERROR looping function is selected, the program loops only if errors are detected. If no errors are detected, the program runs once and displays the result of the verification just as if the looping function were turned OFF. If errors are detected, the ERROR looping function is available for the read cycle of the test. The results of the read cycle verification will appear on the screen. Refer to Appendix B of this manual for a description of error codes.

Description: Refer to Figure 7-9. The SGRAM U144 (256 word X 4-bit RAM, HM10422) on the A03 ACQ Control board holds the trigger sequence table called Trigger menu.

The SGRAM receives data from U106 and U108 (hex D master-slave flip-flop, 10176) on the A03 board with the following connection.

*Table 7-8
318 SGRAM TEST SGRAM DATA CONNECTIONS*

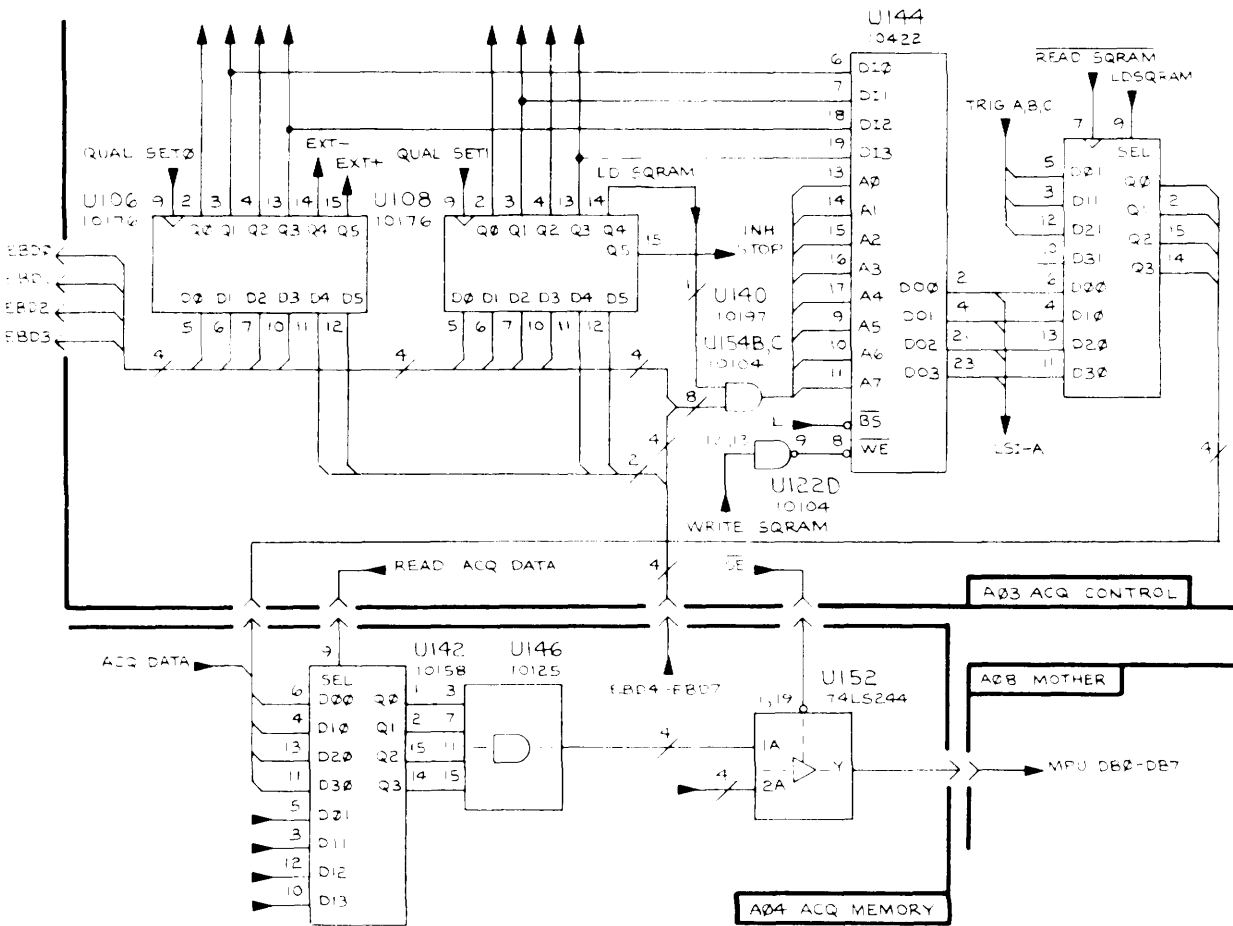
SGRAM U144	Setup	
	Latch	MPU Data
D10 (pin 6)	U106 Q1 (pin 3)	DO
DI1 (pin 7)	U106 Q3 (pin 13)	D1
D12 (pin 18)	U108 Q1 (pin 3)	D2
D13 (pin 19)	U108 Q3 (pin 13)	D3

To provide the data to the SGRAM, the MPU writes the two least significant bits of the four data bits into U106 (10176) at I/O address 50_{hex}, and the two most-significant bits into U108 (10176) at I/O address 51_{hex}.

Each address line of the SGRAM is connected to two output lines which are wired together as follows:

Table 7-9
 318 SORAM TEST SORAM ADDRESS CONNECTIONS

SQRAM U144	TRIGGER F-F	Setup	
		Gate	MPU Data
A0 (pin 13)	U138 pin 15	U140 pin 2	D0
A1 (pin 14)	U150 pin 15	U140 pin 3	D1
A2 (pin 15)	U136 pin 15	U140 pin 4	D2
A3 (pin 16)	U136 pin 2	U140 pin 13	D3
A4 (pin 17)	U138 pin 2	U140 pin 14	D4
A5 (pin 9)	U150 pin 3	U140 pin 15	D5
A6 (pin 10)	U134 pin 2	U154 pin 14	D6
A7 (pin 11)	U148 pin 14	U154 pin 3	D7



4434-551

Figure 7-9. 318 SQRAM test

In order to set up the SGRAM, the MPU data (translated to ECL level) points to the address of the SGRAM. These data bits are gated as in the preceding table, enabled by LDSGRAM from U108 <5> (10176) bit 4 on the A03 board. Bit 4 is maintained high during this setup.

The write pulse to the SGRAM, WRITE SGRAM, is generated when the MPU writes to I/O address 58_{hex}. At the same time, the address to the SGRAM is supplied by the MPU data.

The read process is the same as in the WR test, except that the inputs for U 146 (quad 2-input multiplexer/latch 10173) on the A03 board are switched to the outputs of the SGRAM.

During each read, the MPU verifies the data and issues an error message if it is not equal to the expected data.

11. N & DELAY TEST

Program: N & DLY

Function:

Power on - The Event/Delay counter counts word "A" N times when functioning as the Event counter, and counts a certain number of clock signals for delay when functioning as the Delay counter.

When functioning as the Event counter, the MPU loads a small N value into the counter register and increments the counter using clock pulses while observing the carry bit. The Delay counter functions the same way, using the DELAY value as the initial counter value. In both cases the number of clock signals needed to generate the carry are compared with the expected values.

Troubleshooting - This is not a verification test, so no test result will appear on the CRT screen. This test should be observed on an oscilloscope. The troubleshooting routine automatically tests the N&DELAY Counter by alternately loading and running the counter, first with N values as the Event counter, and then with DELAY values for the Delay counter. The user programs the N and DELAY values before beginning the test. This test will run forever, or until the user presses the STOP key. If no test values are entered, the N Counter is set to 1 and the DELAY counter is set to 0. In this case, the N&DELAY Counter will not run. To run this test, N must be greater than 1, and DE-LAY must be greater than 0.

Description: Refer to Figure 7-10. The Event Delay Counter U158 (event/delay counter, μ PB3Z198R) on the A03 ACQ CONTROL board is controlled by three signals, E, LOAD N, and LOAD DL from the SGRAM U144 (256 word X 4 bit RAM, HM10422) on the A03 board. The counter generates N-1 as a carry when it reaches full count. This Event/Delay Counter has two registers, the one which holds the N value is called the N-register and the one which holds the DELAY value is called the DL register.

In this test, the MPU writes 000F_{hex} as the N value into the N-register at I/O addresses 41_{hex} and 42_{hex}, and 005A_{hex} as the DELAY value into the DL register at I/O address 43_{hex} and 44_{hex}.

Start flip-flop U124B (dual type D master-slave flip-flip, 10131) on the A03 board is set by START2 from U110 (binary to 1-8 decoder/multiplexer, 10162) on the A03 board. U124B passes a clock signal generated by the MPU.

Latches U106 and U108 (hex D master-slave flip-flop, 10176) on the A03 board are set to hold data 1100_{binary} for the SGRAM. They also enable U140 (hex AND-gate, 10197) and U154 (quad 2-input AND-gate, 10104) on the A03 board. Those gates control the data supplied to the address line of the SGRAM.

The MPU writes the data already set in the latches into the SGRAM at address FF_{hex} using the WRITE SGRAM signal from U112 <6> (10162) on the A03 board. This data generates the LOAD N command for the Event/Delay Counter. After this setup, latches U106 and U108 (10176) are written to set the clock qualifier to off, which enables the MPU to send a single clock. The MPU generates STEP CLK by writing at I/O address 55_{hex} , from U1 10 (10162) on the A03 board, using FF_{hex} as data. That is, the SGRAM delivers the data at address FF_{hex} as pointed to by the MPU. Event/Delay counter data (LOAD N), and the Strobe Generator circuit on the A03 board generate the TRIG CLK signal to the Event/Delay counter.

By this procedure, the value of the N-register in the Event/Delay counter is loaded into the counter itself.

To keep the Event/Delay Counter enabled during the test, the SGRAM must supply CE to the Event/Delay Counter. So, the same setups mentioned above are repeated in order to load 0000_{binary} into the SGRAM.

After that, the MPU unmask the interrupt of the Event/Delay Counter Carry by writing at I/O address 40_{hex} .

Then the MPU generates STEP CLK by writing FF_{hex} for the SGRAM address until it receives an interrupt signal. Once the interrupt occurs, the MPU reads the status from I/O address $5D_{hex}$. The signal path for reading the status is same as in the Clock Test.

The MPU checks to see whether the Event/Delay Counter Carry Flag is set, and also checks the number of STEP CLKs generated. If the flag is set and the clock count is correct. the MPU proceeds to the next step, otherwise it issues an error message and stops the test.

The DELAY count can be tested in the same way as the Event count, N. In this case, 1010_{binary} is set in latches U106 and U108 (10176) on the A03 board.

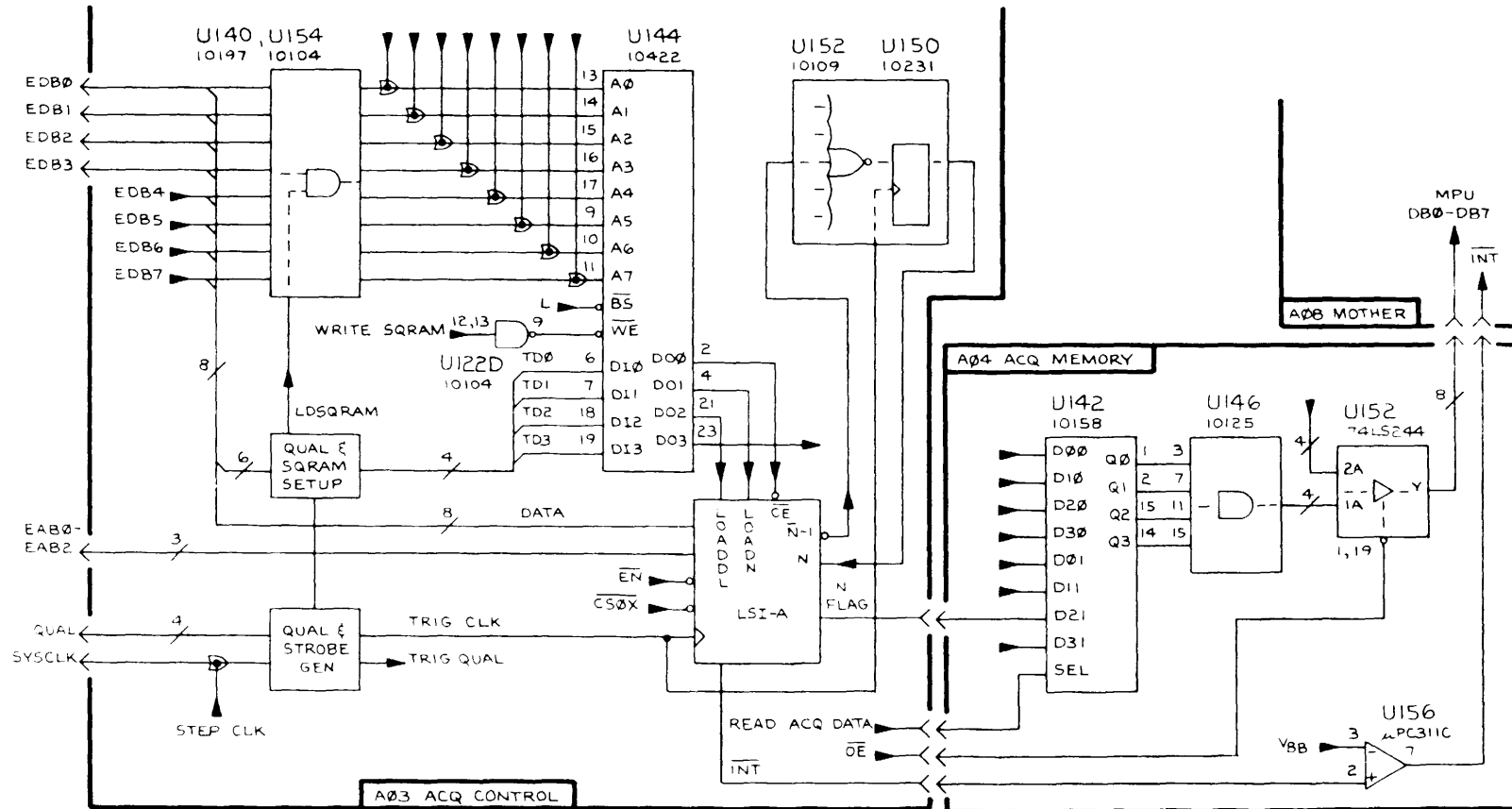


Figure 7-10. 318 N and DELAY counter test.

12. THRESHOLD TEST

Program: THRSH

Function:

Power on - Threshold V1 and Threshold V2 are set for several levels to produce Threshold V3 at - 0.2V or +0.2V. For every setting the comparator will detect the Threshold V3 level relative to ground and the MPU checks the comparator's output against the expected data (0 or 1).

Troubleshooting - Threshold V1 and Threshold V2 are programmed from -10.0V to +10.0V incrementally with 0.1V steps in order to generate the saw-tooth waveform.

Description: Refer to Figure 7-11. Two levels of voltage, one for V1 and the other for V2, are produced by DAC U070 and U080 (CMOS 8-bit buffered multiplexing DAC, AD7524) on the A05 ROM/Threshold board. When the MPU writes data into these DACs, this setting is latched inside. The data is supplied from U216 (octal bus transceiver with 3-state output, 74LS245) on the A06 MPU/Display board through the A08 Mother board, and U045 (74LS245) on the A05 board.

When the MPU writes at I/O address $E0_{hex}$ the \overline{WR} and \overline{CS} signals are sent to U070 (DAC V1) to latch the data. \overline{WR} and \overline{CS} for U080 (DAC V2) are caused by the MPU's access at I/O address $E1_{hex}$. The \overline{WR} signal is delivered from U150C (quadruple 2-input positive NOR gate, 74LS02) on the A05 board, which comes from U214 (octal buffer/line driver with 3-state output, 74LS240) on the A06 board. \overline{CS} for these DACs are generated by U092B (dual 2-line to 4-line decoder/demultiplexer, 74LS139) on the A05 board.

A number less than 80_{hex} programs the DAC for positive output, and a number more than 80_{hex} programs it for negative output centered on GND (80_{hex}) in 0.1V steps. The actual output of these DACs is 1/4 of that specified in the THRESHOLD menu.

This test sets the DACs to several values, given in Table 7-10, and checks V3 selected for CLK Threshold indirectly.

The settings and expected data are as follows;

Table 7-10
318 THRESHOLD TEST DATA VALUES

V1	V2	V3	Expected
+0.3V (83 _{hex})	-0.1V (7F _{hex})	+0.2V	1
+0.7V (87 _{hex})	-0.5V (7B _{hex})	+0.2V	1
+1.1V (8B _{hex})	-0.9V (77 _{hex})	+0.2V	1
+ 1.9V (93 _{hex})	- 1.7V (6F _{hex})	+0.2V	1
+ 3.5V (A3 _{hex})	-3.3V (5F _{hex})	+ 0.2V	1
+ 6.7V (C3 _{hex})	-6.5V (3F _{hex})	+ 0.2V	1
-0.3V (7D _{hex})	+ 0.1V (81 _{hex})	-0.2V	0
-0.7V (79 _{hex})	+ 0.5V (85 _{hex})	-0.2V	0
-1.1V (75 _{hex})	+0.9V (89 _{hex})	-0.2V	0
-1.9V (6D _{hex})	+1.7V (91 _{hex})	-0.2V	0
-3.5V (5D _{hex})	+3.3V (A1 _{hex})	-0.2V	0
-6.7V (3D _{hex})	+6.5V (C1 _{hex})	-0.2V	0

V3 is calculated by $(V1 + V2)/2$ using two resistors, R1 10 and R1 15 (4.99 K Ω) on the A05 board. V3 is selected by U114 (differential 4-channel multiplexer, 4052BP) on the A04 board and sent to U236 (ultra fast dual comparator, SP9687) and the Comparator U240C (quad comparator, μ PC339C) on the A02 INPUT-B board through the A08 board. In the A02 board, V3 is compared with ground by the U240C Comparator and this result is sent to 244C (quad 2-inputNOR gate, 10102) on the A02 board. U244C is enabled by U224 (hex D master-slave flip-flop, 10176) on the A02 board when the MPU writes 0XXXX_{binary} into it at I/O address 01_{hex}. U244C (10102) on the A02 board outputs the Threshold TEST signal to U144 (quad 2-input multiplexer, 10158) on the A04 board via the A08 board.

During this test, all outputs of the ACQ Memories on the A04 board are disabled (maintained at a low level) by forcing BS to high from U114 (hex D master-slave flip-flop, 10176) on the A04 board. U114 is written by the MPU at I/O address 5A_{hex}.

The MPU reads the data from the A04 board at I/O address 59_{hex}, i.e., with READ ACQ DATA from U112 (binary to 1-8 decoder/multiplexer, 10162) on the A03 board. This reading sequence is the same as in the ACQ Test.

Then the MPU compares the MSB of the data read with the one expected. If they don't match each other, the error message will be issued.

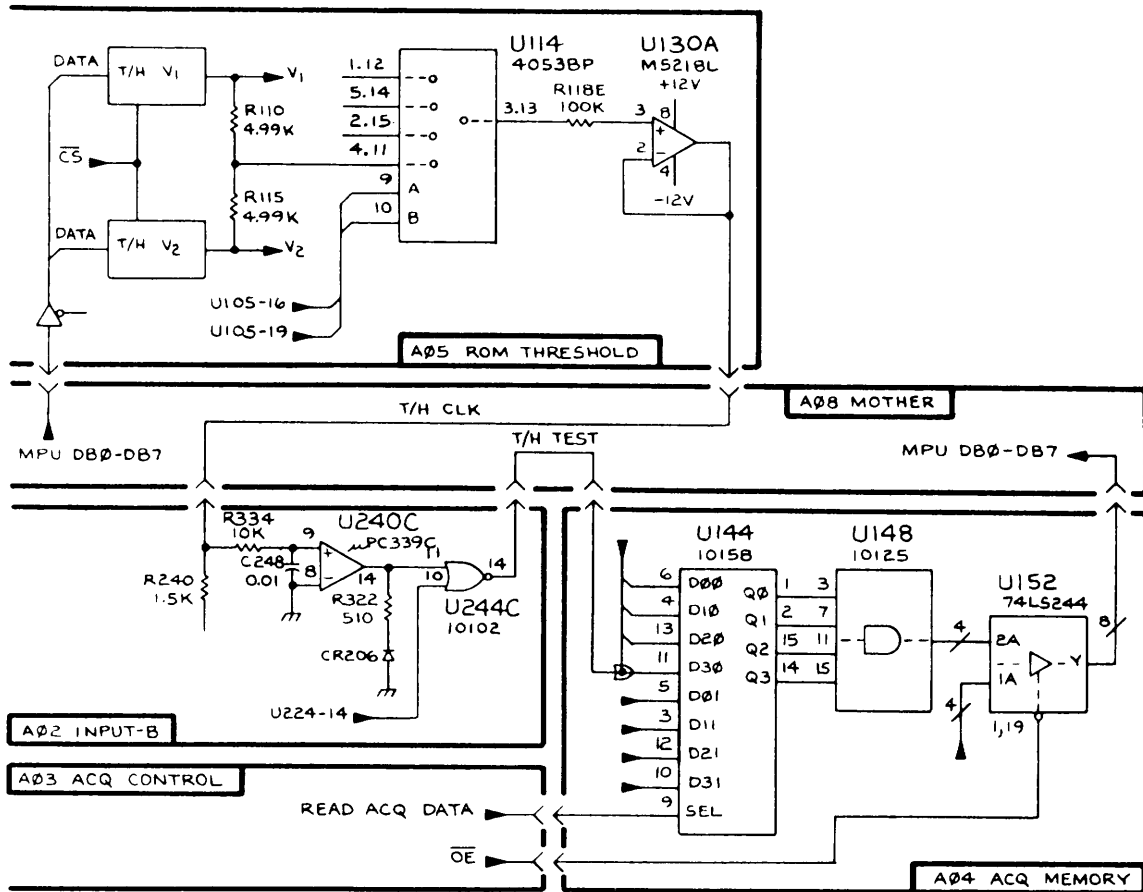


Figure 7-11. 318 Threshold test.

13. SEQ TEST

Program: SEQ

Function:

Power on - A single acquisition with a full trigger sequence is simulated to check a whole operation.

Troubleshooting - The content of this test is the same as that run automatically when the power is first turned on, but here the Looping feature is available. The Looping feature has 4 options; OFF, I/O, ERROR, and TEST. When the LOOP field is set to I/O, the looping feature allows only I/O instructions to be run repeatedly. The I/O address will appear on the screen. When the field is set to ERROR, the looping feature allows the tests in which an error is detected to be run repeatedly. When the field is set to TEST, the looping feature allows one test, or sequence of tests, to be run continuously. When the field is set to OFF, the looping feature is not available and one test, or sequence of tests, will run once.

When I/O Looping is selected, only those selected OUT instructions (subroutines), including one of the addresses listed below, will run. Unless the STOP key is pressed, this test will continue looping without displaying the result of the verification. In this case, the user should use an oscilloscope to observe the Acquisition circuit board.

PORT ADDRESSES (HEX)

Address	Content of Looping Test
55	write WA into High-speed memory.

When ERROR is selected, looping will occur only if errors are detected. If no errors are detected, the ERROR looping test will run through its tests only once, and the results of the verification will be displayed on the CRT just as if the looping field had been selected to OFF. If errors are detected, the ERROR Looping function is available for the read cycle of the test, and the result of the verification will appear on the screen. Refer to the *Appendix B* of this manual for and explanation of error codes.

Description: A single acquisition is simulated to check the trigger sequencer operation. Pseudo data is generated in exactly the same way used in the WR and ACQ tests, and applied to the latches on the A01 INPUT-A and INPUT-B boards.

The words, WA, WB, and WC are set to 01_{hex}, 02_{hex} and 03_{hex} respectively. Then full trigger sequence, 00005*WA FLW'D BY:WB RESET ON:WC is selected with 16 clocks of delay to stop after the trigger recognition.

The data AAAXBCAAXAAAXABXABCXABCXABCXABC is supplied to the WR on the A01 and the A02 boards and to the ACQ Memories on the A04 ACQ MEMORY board. SYSClk is generated by the MPU by writing at I/O address 4A_{hex}, which is into the timebase U140 on the A04.

The operation of the Trigger Sequencer is observed by the MPU by reading the interrupt and the ACO status. The MPU checks these conditions on every clock pulse, and if there are any unexpected events the MPU displays an error message.

After the end of the acquisition (all flags are detected at certain clocks), the MPU reads the data from the ACQ Memories on the A04 board, and compares them with the word sequence applied. An error message is displayed if there are differences.

318S1 SERIAL ANALYSIS/RS232C/NVM

14. BATTERY TEST

Program: TSTBTT

Function:

Power on - TSTBTT checks the battery voltage to see if it is more or less than 2.2 volts.

Troubleshooting - None

Description - Detected battery voltage status is shown in the status register at bit 07. TSTBTT this bit from I/O address 80. (Refer to the 318S1/338S1 I/O function list)

Battery voltage is detected by Q170, and battery status is applied to bit #7 of the status register by U32.

U30 decodes 318S1/338S1 I/O addresses.

15. NON-VOLATILE MEMORY TEST

Program : TSTNVI (power on), TSTNV2 (Troubleshooting)

Function:

Power-on - The NVM has a checksum word that is used for checking non-volatile memory data. The TSTNVI program calculates the checksum by reading NVM data and comparing it with the NVM checksum.

Troubleshooting - The TSTNV2 diagnostic program includes 12 test programs. For all of these tests, the method is read data after write. (Refer to the failure code list for check data format.)

All NVM data is cleared after the diagnostic test has run.

Description - The NVM address is from E000 through E7FF; the NVM address select signal (NVMCS) is supplied from the address decoder on the MPU (A06) board through bus connector 46B. The NVM chip is selected by the inverse NVMCS and the power (+ 5V) monitor signal. If the power monitor circuit detects low power (-: 4.6V), the NVM can not be selected.

NVM data is gated by U25, which is controlled by the BRD, BIORQ, and NVMCS signals. The RD and WR signals (these are the inverse signals of BRD and BWR) control the direction of NVM data.

16. RS-232 TEST

Program : TSTRM1 (power on) TSTRM2 (Troubleshooting)

Setup: - Before starting TSTRM2, you must connect the self test adapter to the RS-232 communication port. (Refer to Figure 3-22 in Section 3: *Operating Instructions*.)

Function:

Power on - TSTRM1 initializes the SIO Port-B and reads its initial status. If the initial status is good, it loads dummy data into the SIO and checks for status change.

Troubleshooting - TSTRM2 diagnostic has the following three functions:

1. checks MODEM control signals
2. checks the SIO Port-B status
3. checks data transmit and receive functions

Function 1 includes eight test programs. These programs check the status of MODEM signals RTS, CTS, CD, DTR, and DSR.

Function 2 includes seven test programs. These programs check the SIO Port-B initial status.

Function 3 includes nine test programs. These programs transmit increment pattern data from SIO Port-B, then receive and compare that data against the original data. Data speed is changed automatically from 110 baud through 9600 baud.

(The test data format is fixed at eight bits/word, even parity, and one stop bit.)

Description - Refer to the 318S1/338S1 I/O function list, and simplified block diagrams when reading the following.

The I/O address of the SIO and other 318S1/338S1 hardware is decoded by U30. The SIO Port-B controls RS-232 functions; that address is 92 and 93, and the RS-232 baud rate selector address is 88.

The SIO data line is common to both Port-A and Port-B. These eight data lines connect to buffer U25; U25 is gated by the 318S1/338S1 I/O address.

The SIO timing is synchronized by the CPU clock which is supplied from the MPU on the A06 board through bus connector 31A. Its waveform is adjusted by U12 and U32 before reaching the SIO.

All but one of the MODEM control signals are controlled by SIO Port-B. The exception is the DSR signal, which appears in the 318S1/338S1 status register at address 80. All the signals coming into Port-B are converted from RS-232-levels to TTL levels by the receiver, U40; all outgoing signals are converted from TTL levels to RS-232 levels by the transmitter, U41.

RS-232 data also passes through U40 and U41, and is sampled at 16 times the clock of the baud rate. This clock is supplied by U5 (baud rate generator). U45 latches the baud-rate-select data and its output defines the clock rate.

An I/O loop mode is available for TSTRM2. This mode is used to check the I/O address selection circuit. When the diagnostic program is running in the I/O loop mode, TSTRM2 executes the following program function continuously.

Table 7-11
318 RS-232C I/O ADDRESSES

Selected I/O Address	Program Function
80	Read content of address 80.
88	1. Write data 10 to address 88. 2. " 20 3. " 40 4. " 80 Repeat in rotation 1 through 4.
92	Write data 55 to SIO Port-B data register.
93	1. Write data 18 (reset command) to SIO Port-B register #0. 2. Read SIO Port-B register #0. Repeat 1 and 2.

17. SERIAL TEST

Program: TSTSR1 (power on), TSTSR2 (Troubleshooting)

Setup: - Loop-back test data of TSTSR2 is supplied from the RS-232 port, so the P6107 SERIAL INPUT PROBE must be connected to pin #2 of the RS-232 connector.

Function:

Power on - TSTSR1 initializes the SIO Port-A and reads the initial status. If the initial status is good, it loads dummy data into the SIO and checks for any status change.

Troubleshooting - The TSTSR2 diagnostic program has the following three functions:

1. checks the SIO Port-A status
2. checks external trigger circuit
3. checks data passing through the circuit

Function 1 includes six test programs. These programs read the initial status of the SIO Port-A.

Function 2 includes two test programs. These programs control the external trigger transition and check the trigger status in bit #1 of the 318S1/338S1 status register.

Function 3 includes eight test programs. These programs generate serial data (shift pattern data: 01 02 04 08 10 20 40) at pin #2 of the RS-232 connector. The programs also check incoming data at SIO Port-A. Serial data speed is changed automatically during the test.

(The test data format is fixed at eight bits/word, even parity, and one stop bit. The data threshold is TTL, and data polarity is NEGATIVE.)

Description- Refer to the 318S1/338S1 I/O function list and the simplified diagram of the Serial Acquisition and RS-232 circuits when reading following.

SIO Port-A is used for serial data acquisition. The Port-A address is 90 and 91, and the SERIAL parameter selector address is 8C.

U31 latches the baud select data, input data polarity bit, and the external trigger polarity bit. These are the parameters for serial acquisition control.

U6 generates the receive data sampling clock and supplies this clock to SIO pin #13. U22 switches the input clock selector from either the 19.2 K internal clock or the external clock, but the TSTSR2 program does not test this logic.

The external trigger polarity is defined by U12, and U22 latches on the transition of U12's output. This status is initialized by writing data to address 84. External trigger status appears at bit 0 of the 318S1/338S1 status register; its address is 80.

The serial input data level is divided by 10 at input and this signal is amplified 2.5 times by U100 before reaching test point 10. The data at test point 10 is compared with Threshold C (supplied from the RAM board through bus connector 39B) by U110; then data polarity is defined by U12 and supplied to SIO pin #12.

The I/O loop feature is available for TSTSR2. This mode is used to check the I/O address selection circuit. When the diagnostic program is running in the I/O loop mode, TSTSR2 executes following program functions continuously.

Table 7-12
318 SERIAL TEST I/O ADDRESSES

Selected I/O Address	Program Function
80	Read content of address 80.
84	Write data to address 84.
8C	1. Write data 10 to address 8C. 2. " 20 " 3. " 40 " 4. " 80 " Repeat in rotation 1 through 4.
90	Write data 55 to SIO Port-A data register.
91	1. Write data 18 (reset command) to SIO Port-A register #0. 2. Read SIO Port-A register #0 Repeat 1 and 2.

OPTION I/O FUNCTION LIST

I/O ADDRESS = 80
 CHIP = U32
 FUNCTION = OPTION STATUS REGISTER
 CONTROL = READ ONLY

bit=	7	6	5	4	3	2	1	0
	battery status	xxxxx	xxxxx	xxxxx	xxxxx	MODEM DSR status		external trigger

bit 0: ON = external trigger has occurred.
 OFF = external trigger has not occurred.

bit 1: ON = DSR signal is OFF.
 OFF = DSR signal is ON.

bit 7: ON = battery voltage is low. (<2.4 Volt)
 OFF = battery voltage is normal.

I/O ADDRESS = 84
 CHIP = RESET TO U22-B
 FUNCTION = INITIALIZE THE EXTERNAL TRIGGER
 CONTROL = WRITE ONLY

bit =

7	6	5	4	3	2	1	0
xxxxx	xxxxx	xxxxx	xxxxx	xxxxx	xxxxx	xxxxx	xxxxx

NOTE: "xxxxx" data bit has no function.

I/O ADDRESS = 88
 CHIP = U45
 FUNCTION = RS-232 BAUD RATE SETUP REGISTER
 CONTROL = WRITE ONLY

bit=

7	6	5	4	3	2	1	0
baud select as S3	baud select as S2	baud select as S1	baud select as S0	xxxxx	xxxxx	xxxxx	xxxxx

Table 7-13
318 SERIAL TEST BAUD SELECT BITS

S3	S2	S1	S0	Selected Baud Rate
OFF	OFF	OFF	OFF	NO CLOCK (EXTERNAL CLOCK)
OFF	OFF	OFF	ON	{NO CLOCK (19.2K)}
OFF	OFF	ON	OFF	50
OFF	OFF	ON	ON	75
OFF	ON	OFF	OFF	134.5
OFF	ON	OFF	ON	200
OFF	ON	ON	OFF	600
OFF	ON	ON	ON	2400
ON	OFF	OFF	OFF	9600
ON	OFF	OFF	ON	4800
ON	OFF	ON	OFF	1800
ON	OFF	ON	ON	1200
ON	ON	OFF	OFF	2400
ON	ON	OFF	ON	300
ON	ON	ON	OFF	150
ON	ON	ON	ON	110

NOTE:
 The baud rate in the bracket is a special speed; it is used only for serial data acquisition.

I/O ADDRESS = 8C
 CHIP = U31
 FUNCTION = SERIAL PARAMETER SETUP REGISTER
 CONTROL = WRITE ONLY

bit=	7	6	5	4	3	2	1	0
	baud select as S3	baud select as S2	baud select as S1	baud select as S0	external trigger pol.	serial data pol.	xxxxx	xxxxx

bit 7, 6, 5, 4: these bits are used to set the serial baud rate. S3, S2, S1, S0 select the baud rate in the same manner shown in RS-232 BAUD RATE SETUP REGISTER.

bit 3: ON = sets the external trigger direction to the trailing edge.
 OFF = sets the external trigger direction to the leading edge.

bit 2: ON = sets the serial input data polarity to negative.
 OFF = sets the serial input data polarity to positive.

I/O ADDRESS = 90
 CHIP = U2
 FUNCTION = READ DATA OF SERIAL PORT
 CONTROL = READ

I/O ADDRESS = 91
 CHIP = U2
 FUNCTION = SERIAL DATA ACQUISITION CONTROL
 CONTROL = READ AND WRITE

I/O ADDRESS = 92
 CHIP = U2
 FUNCTION = READ AND WRITE DATA OF RS-232 PORT
 CONTROL = READ AND WRITE

I/O ADDRESS = 93
 CHIP = U2
 FUNCTION = RS-232 MODEM SIGNAL AND DATA CONTROL
 CONTROL = READ AND WRITE

The SIO chip U2 contains the following four I/O address registers: addresses 90 and 91 are SIO Port-A registers, and 92 and 93 are SIO Port-B registers. Control addresses 91 and 93 include three read-only and eight write-only internal registers. These internal registers control and check all SIO functions.

Details of the SIO internal register functions are described in the Z80 SIO Manual by ZILOG, SHARP, and MOSTEK.

Table 7-14
318 DIAGNOSTIC TEST FAILURE CODES

PART 1 --- TSTRM2 (RS232 TEST)

Code	Error Information
150 (96)	RTS NOT ON
151 (97)	CTS NOT ON
152 (98)	CD NOT ON
153 (99)	RTS NOT OFF
154 (9A)	CTS NOT OFF
155 (9B)	CD NOT OFF
156 (9C)	DTR NOT ON
157 (9D)	DSR NOT ON
158 (9E)	REGISTER #0 READ ERROR (FOR SIO PORT-B)
159 (9F)	RECEIVE READY FLAG NOT ON (" ")
160 (A0)	TRANSMIT EMPTY FLAG NOT OFF (" ")
162 (A2)	REGISTER #1 READ ERROR (" ")
163 (A3)	FRAMING ERROR FLAG NOT OFF (" ")
164 (A4)	OVER RUN ERROR FLAG NOT OFF (" ")
165 (A5)	PARITY ERROR FLAG NOT OFF (" ")
170 (AA)	INCREMENT PATTERN DATA (01-FF) LOOP BACK TEST (FROM RS-232 OUTPUT TO RS-232 INPUT) ERROR AT 110 BAUD
171 (AB)	" " " 150 BAUD
172 (AC)	" " " 300 BAUD
173 (AD)	" " " 600 BAUD
174 (AE)	" " " 1200 BAUD
175 (AF)	" " " 2400 BAUD
176 (B0)	" " " 4800 BAUD
177 (B1)	9600 BAUD
178 (B2)	INTERRUPT MODE DATA LOOP-BACK TEST ERROR AT 9600 BAUD

Table 7-14 (cont.)
318 DIAGNOSTIC TEST FAILURE CODES

PART 2 --- TSTSR2 (SERIAL TEST)

Code	Error Information
180 (B4)	REG #0 READ ERROR (FOR SIO PORT-A)
181 (B5)	RX READY NOT OFF (" ")
182 (B6)	REG #1 READ ERROR (" ")
183 (B7)	FRAMING-ERR BIT NOT OFF (" ")
184 (B8)	OVER RUN-ERR BIT NOT OFF (" ")
185 (B9)	PARITY-ERR BIT NOT OFF (" ")
186 (BA)	EXT-TRIG BIT NOT OFF
187 (BB)	EXT-TRIG BIT NOT ON
188 (BC)	DATA LOOP-BACK TEST ERROR AT 75 BAUD (FROM RS-232 OUTPUT TO SERIAL INPUT)
189 (BD)	" " " 200 BAUD
190 (BE)	" " " 2400 BAUD
191 (BF)	" " " 1800 BAUD
192 (C0)	" " " 1200 BAUD
193 (C1)	" " " 300 BAUD
194 (C2)	" " " 110 BAUD
195 (C3)	" " " 9600 BAUD

Table 7-14 (cont.)
318 DIAGNOSTIC TEST FAILURE CODES

PART 3 --- TSTNV2 (NVM TEST)

Code	Error Information
200 (C8)	DATA ERROR WHEN DATA PATTERN IS FF
201 (C9)	" " " 00
202 (CA)	" " " 01
203 (CB)	" " " 02
204 (CC)	" " " 04
205 (CD)	" " " 08
206 (CE)	" " " 10
207 (CF)	" " " 20
208 (D0)	" " " 40
209 (D1)	" " " 80
210 (D2)	" " " MARCHING PATTERN
211 (D3)	" " " INCREMENTING PATTERN

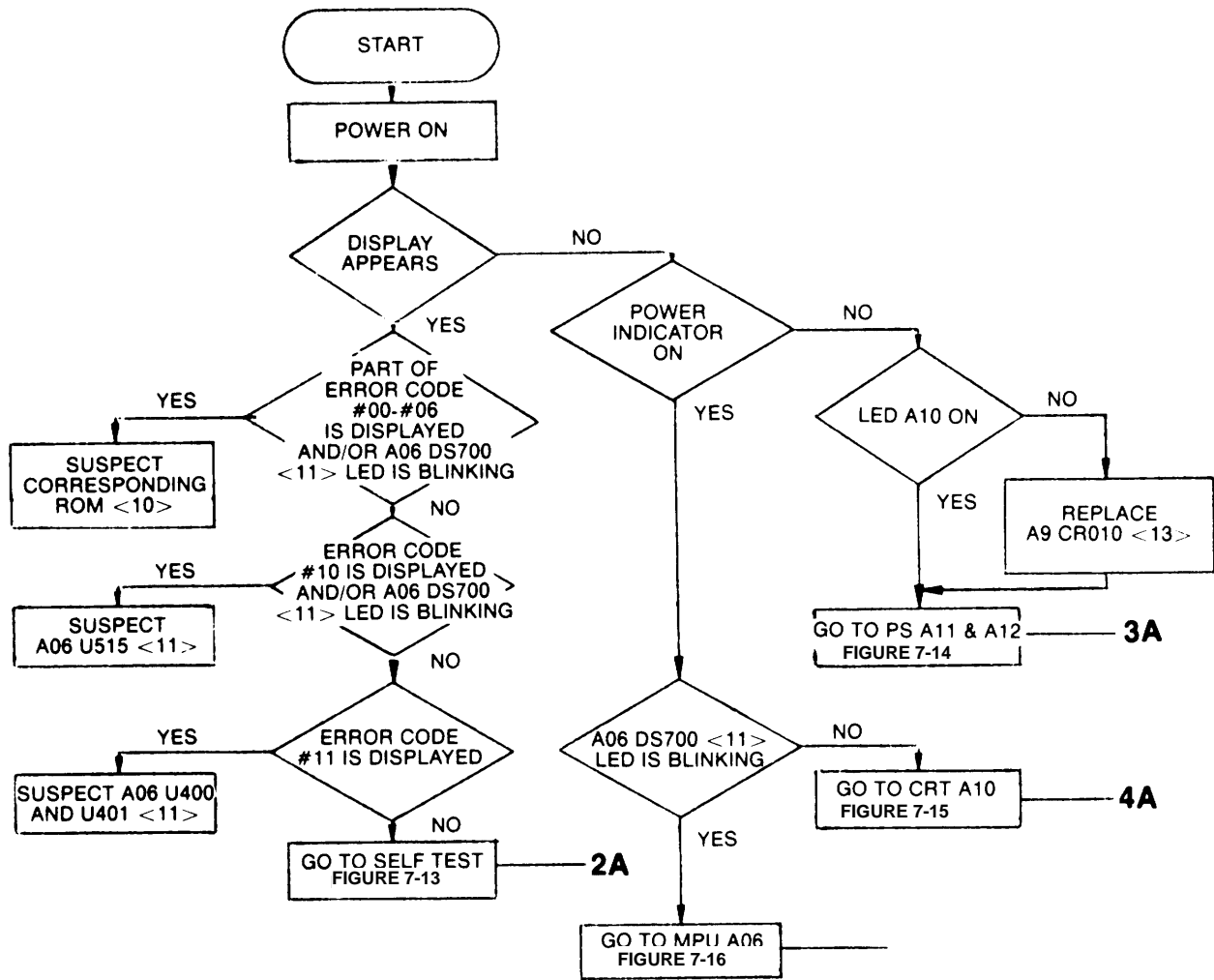


Figure 7-12. Troubleshooting Tree 1: Power On.

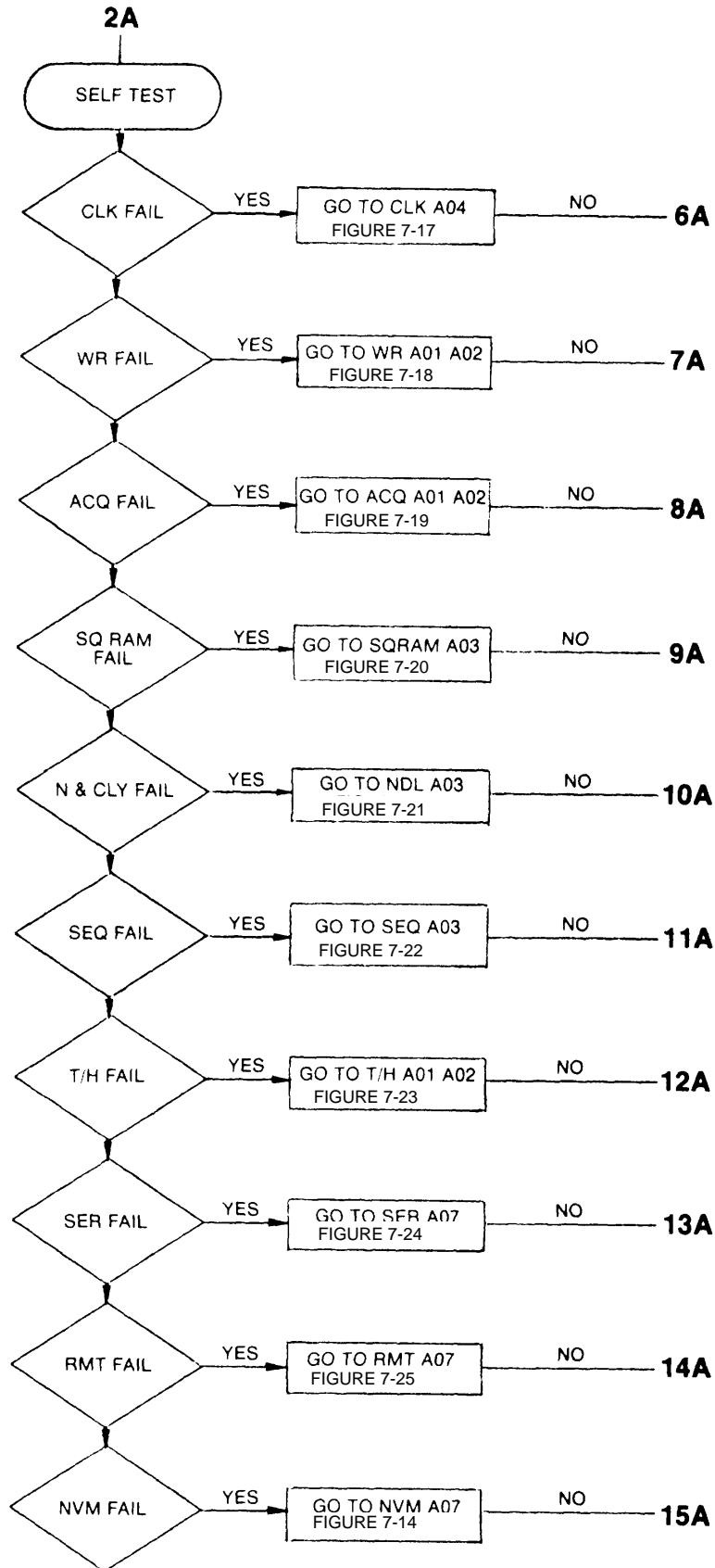


Figure 7-13. Troubleshooting Tree 2: Startup Self Test.

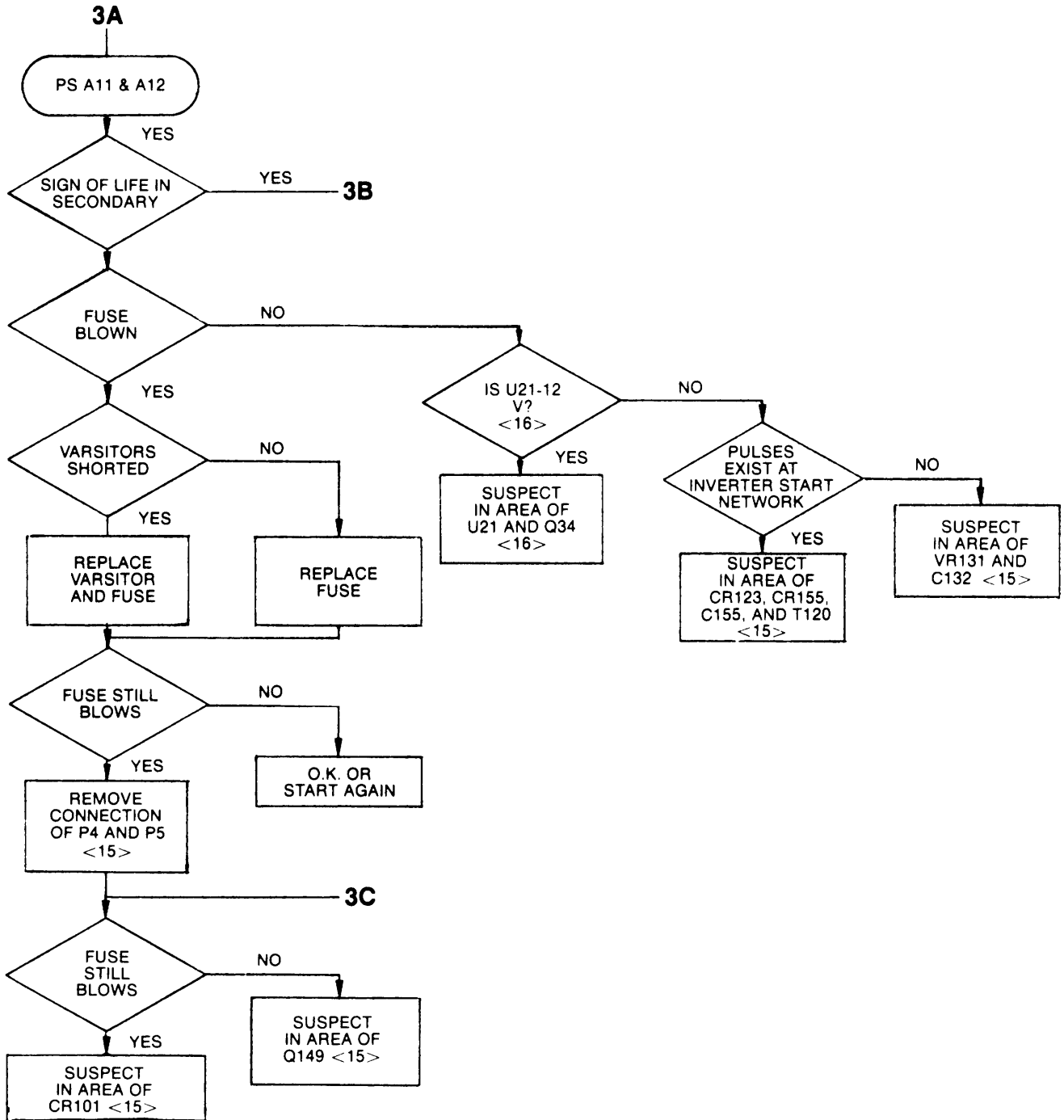


Figure 7-14. Troubleshooting Tree 3: Power Supplies A11, A12 (Sheet 1 of 2)

3B

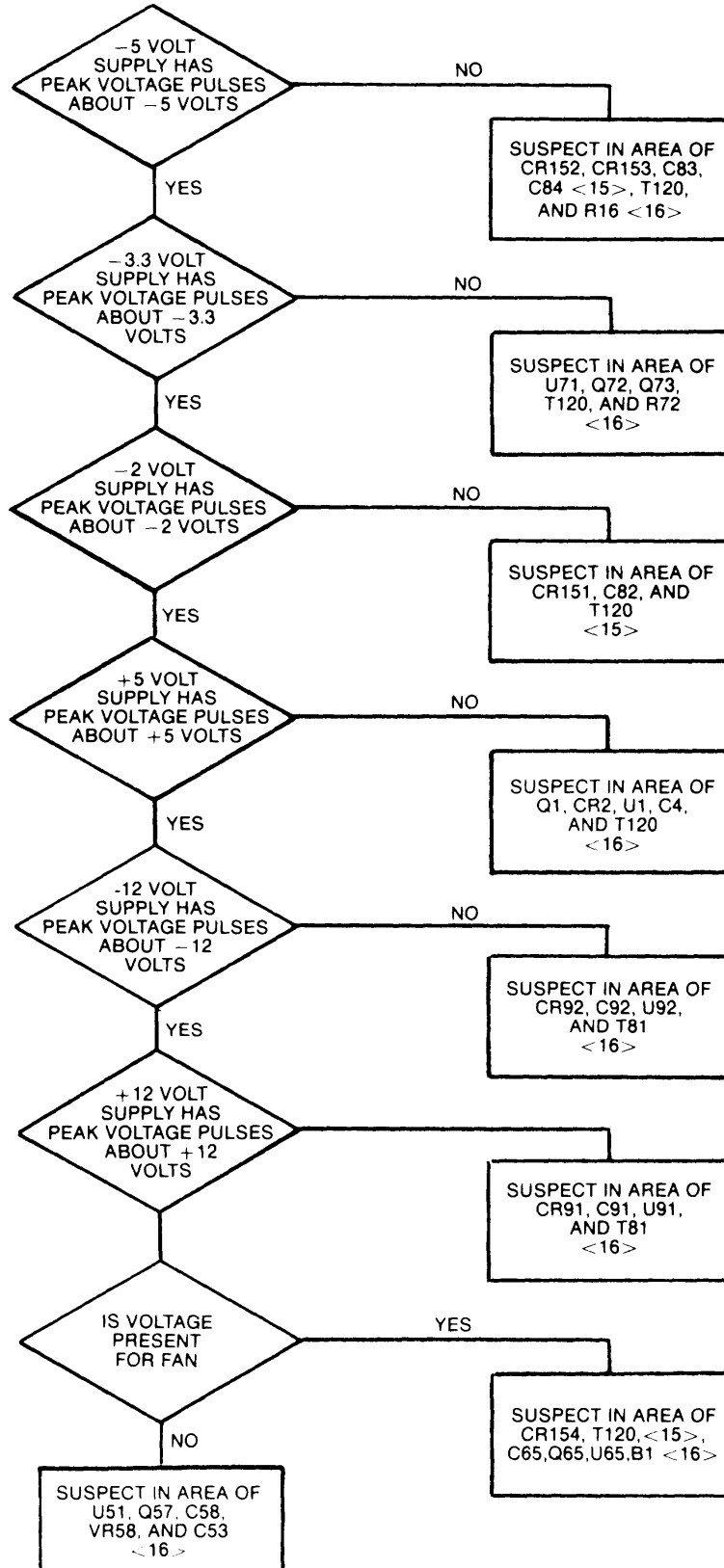


Figure 7-14. Troubleshooting Tree 3: Power Supplies A11, A12 (Sheet 2 of 2)

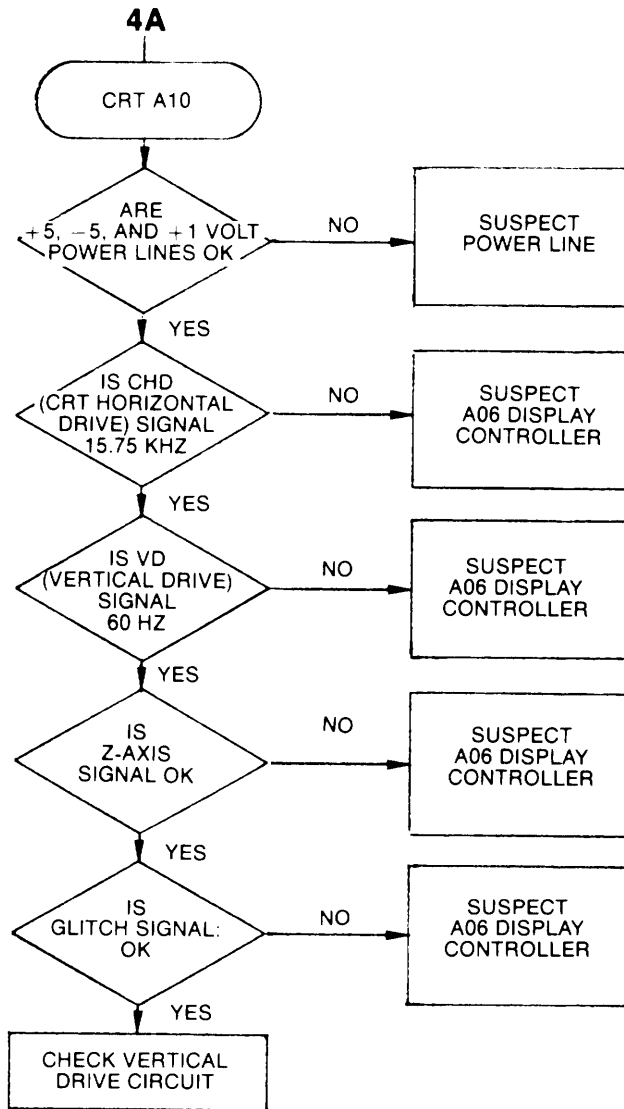


Figure 7-15. Troubleshooting Tree 4: CRT A10 (Sheet 1 of 4)

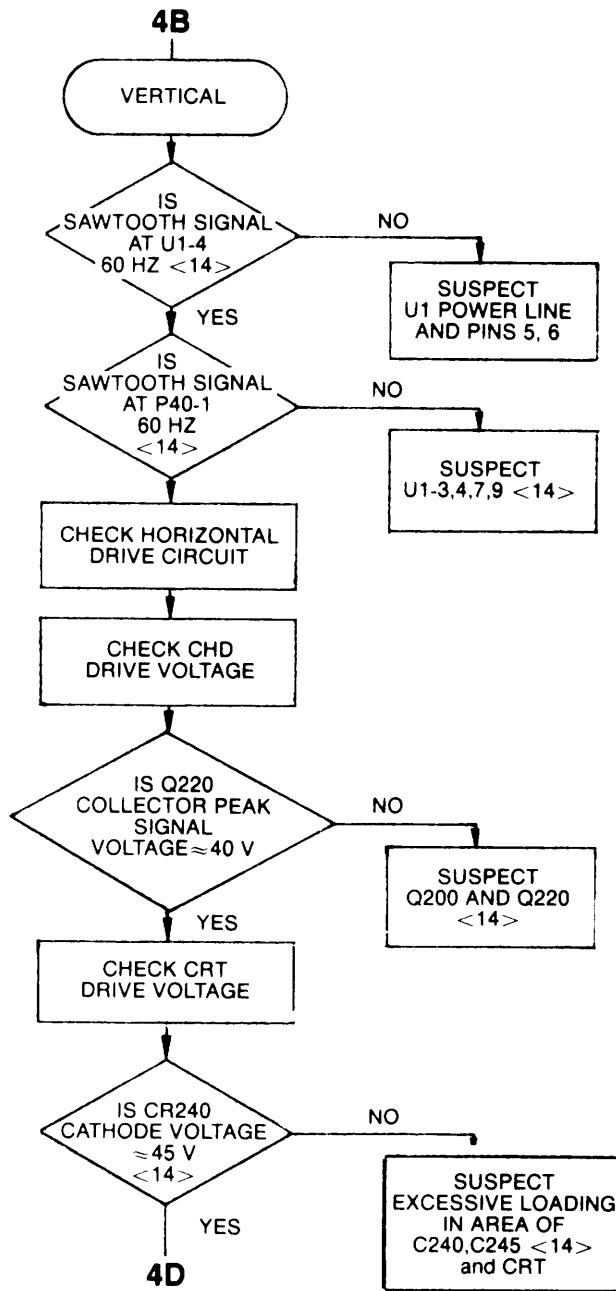


Figure 7-15. Troubleshooting Tree 4: CRT A10 (Sheet 2 of 4)

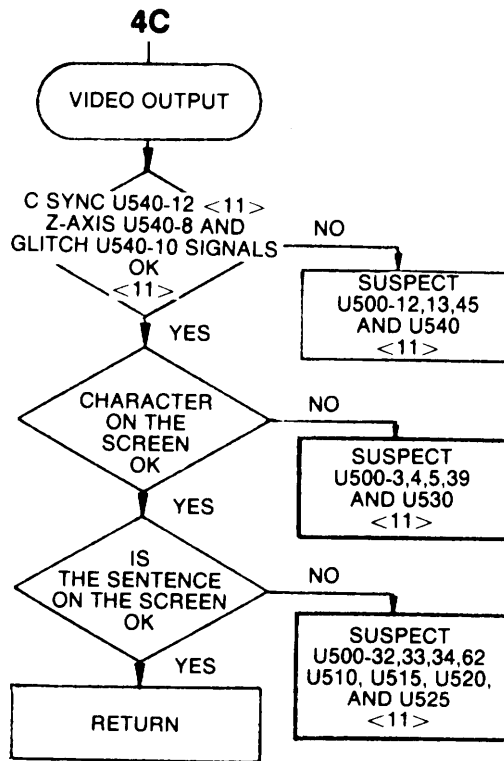


Figure 7-15. Troubleshooting Tree 4: CRT A10 (Sheet 3 of 4)

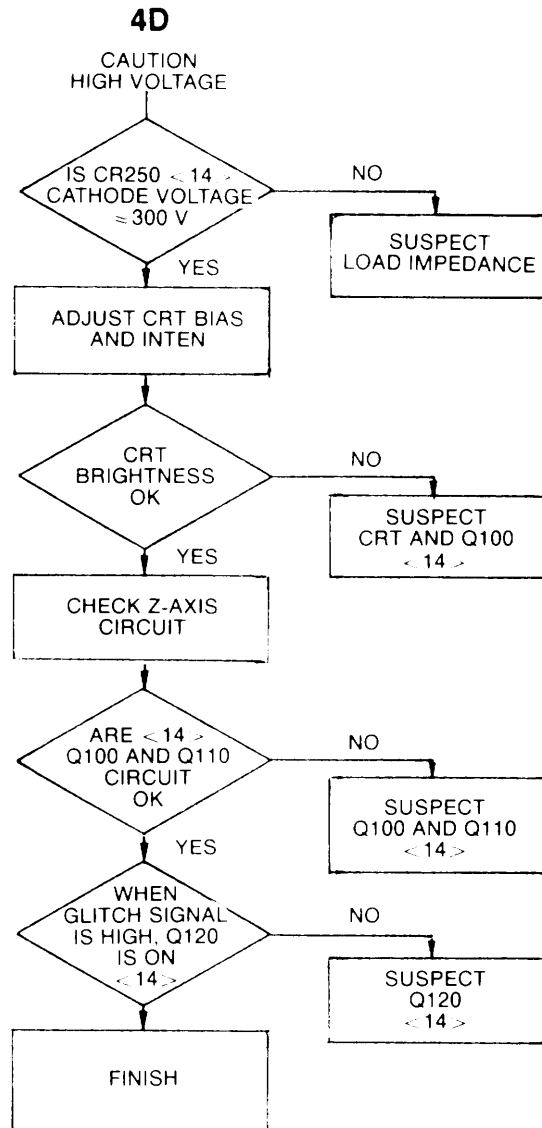


Figure 7-15. Troubleshooting Tree 4: CRT A10 (Sheet 4 of 4)

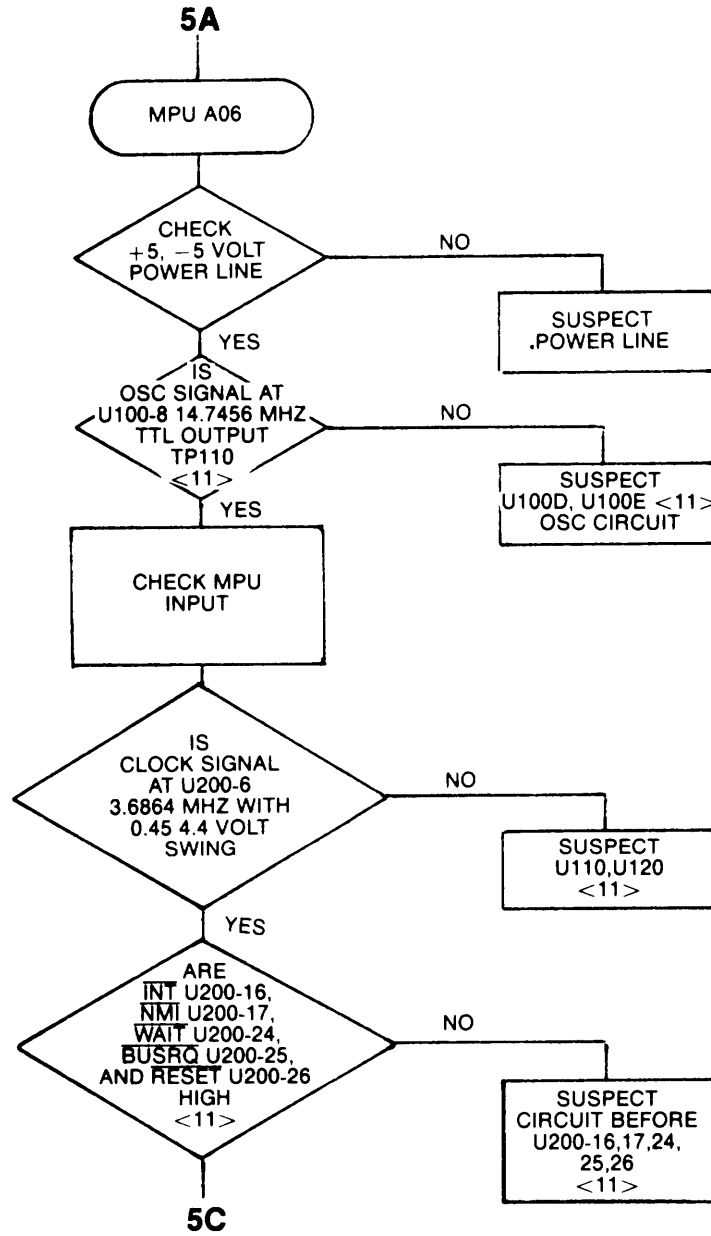


Figure 7-16. Troubleshooting Tree 5: MPU A06. (Sheet 1 of 5)

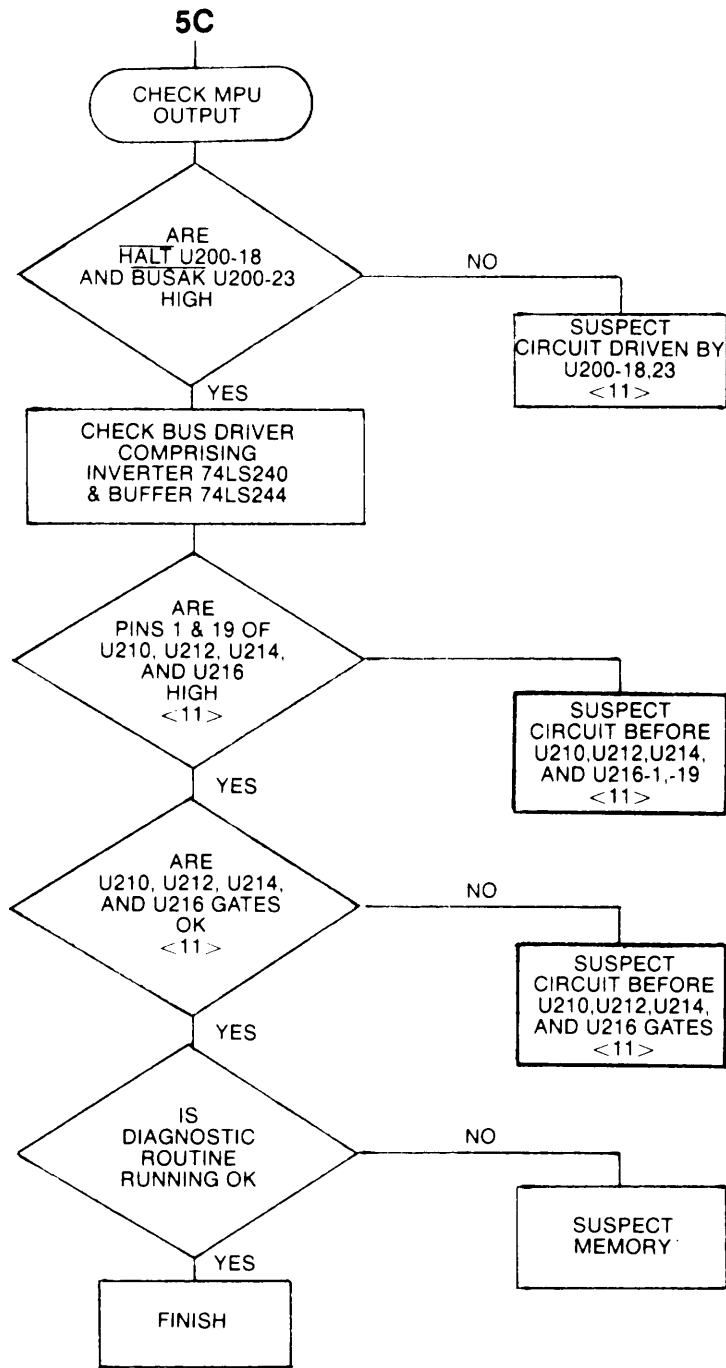


Figure 7-16. Troubleshooting Tree 5: MPU A06. (Sheet 2 of 5)

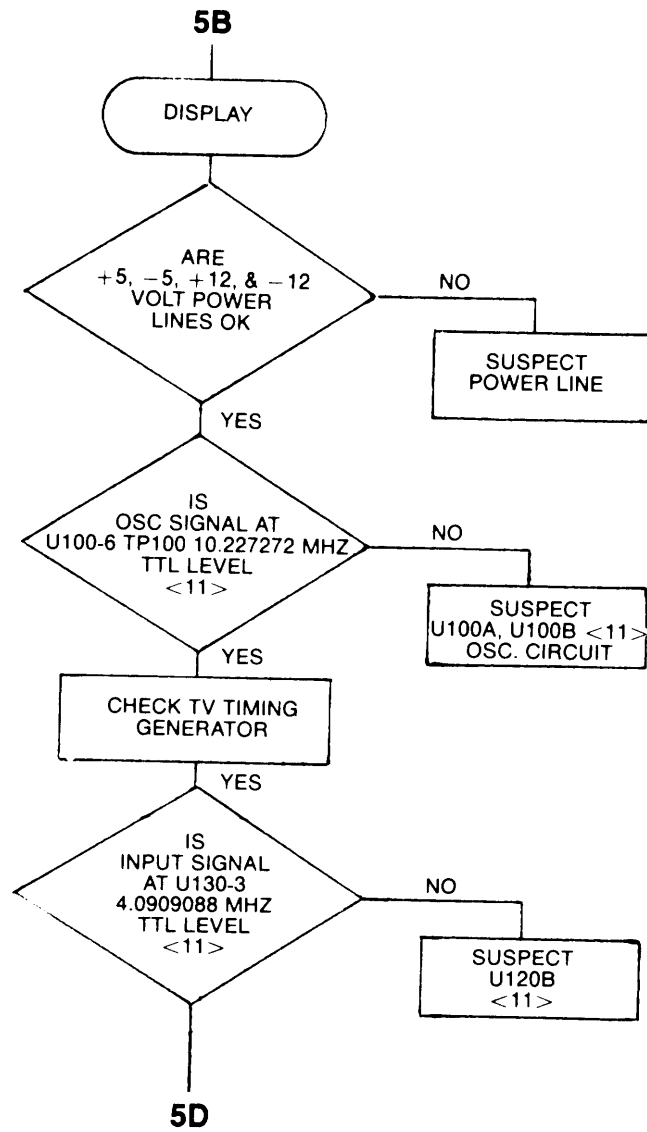


Figure 7-16. Troubleshooting Tree 5: MPU A06. (Sheet 3 of 5)

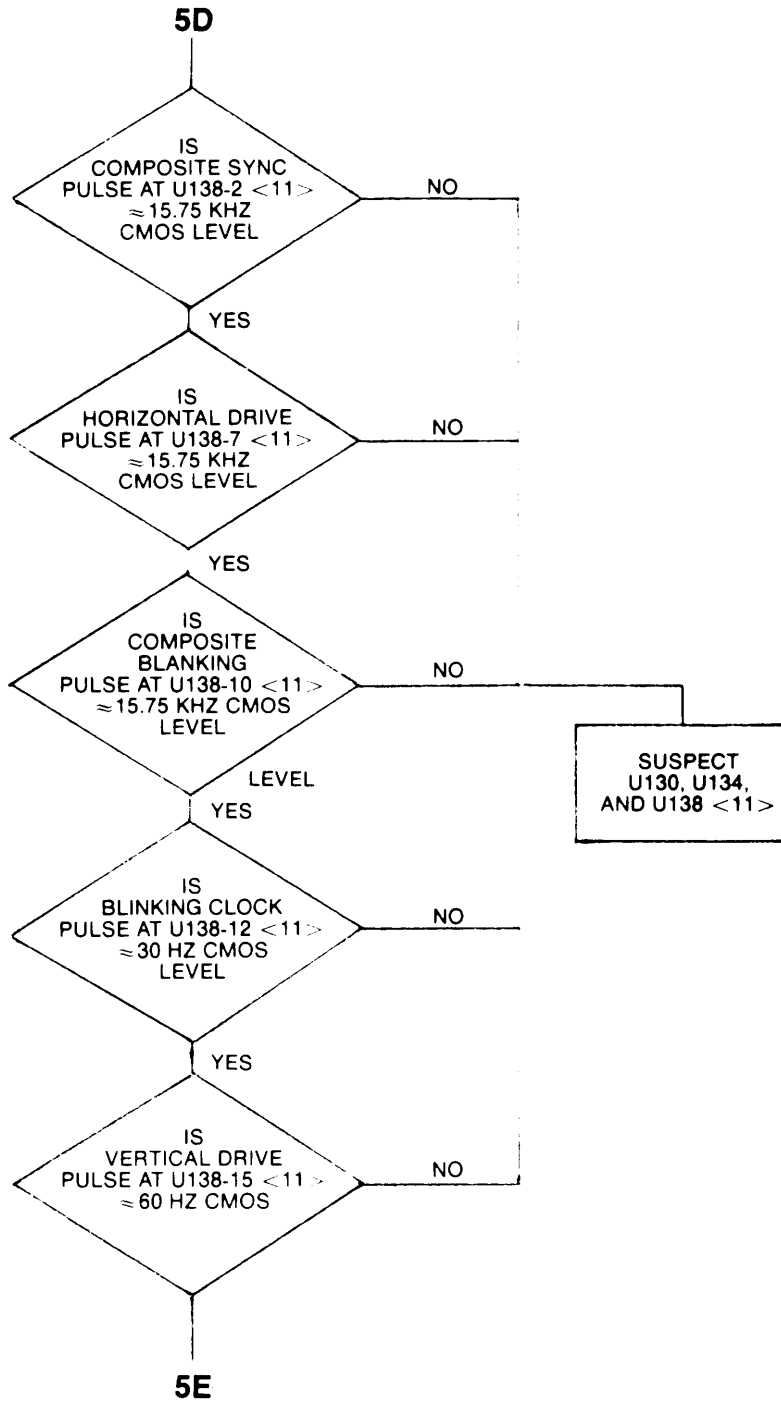


Figure 7-16. Troubleshooting Tree 5: MPU A06. (Sheet 4 of 5)

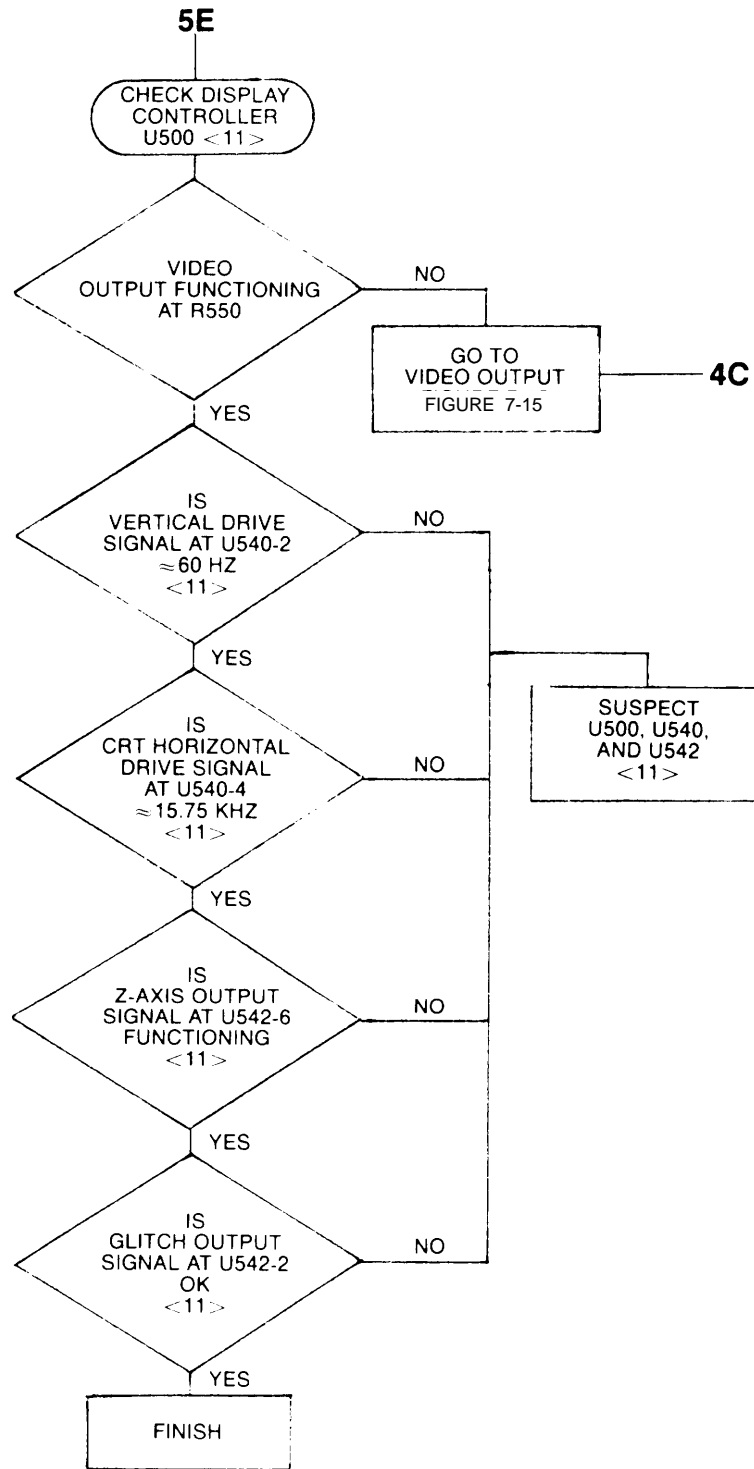


Figure 7-16. Troubleshooting Tree 5: MPU A06. (Sheet 5 of 5)

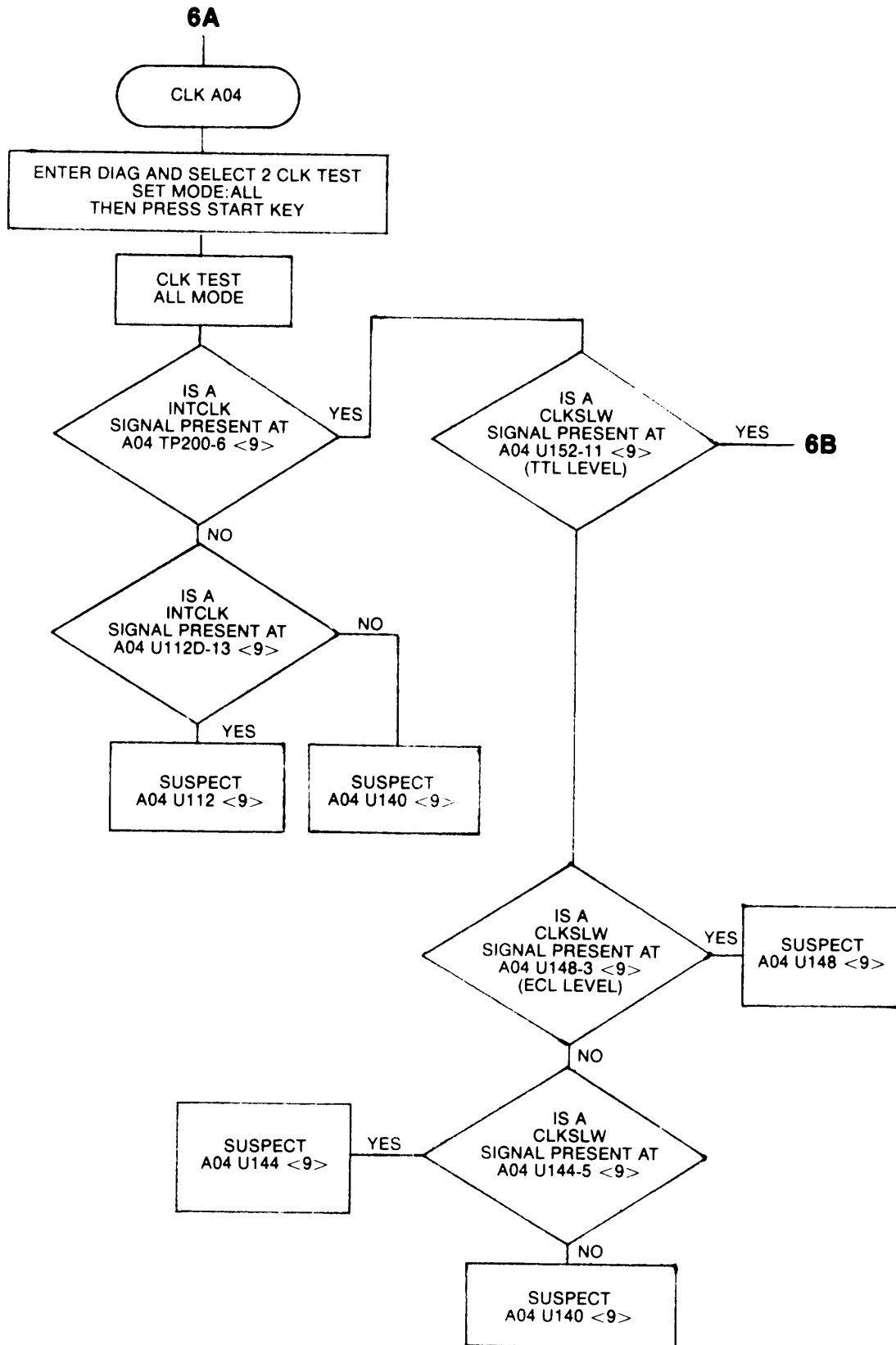


Figure 7-17. Troubleshooting Tree 6. Clock A04 (Sheet 1 of 2)

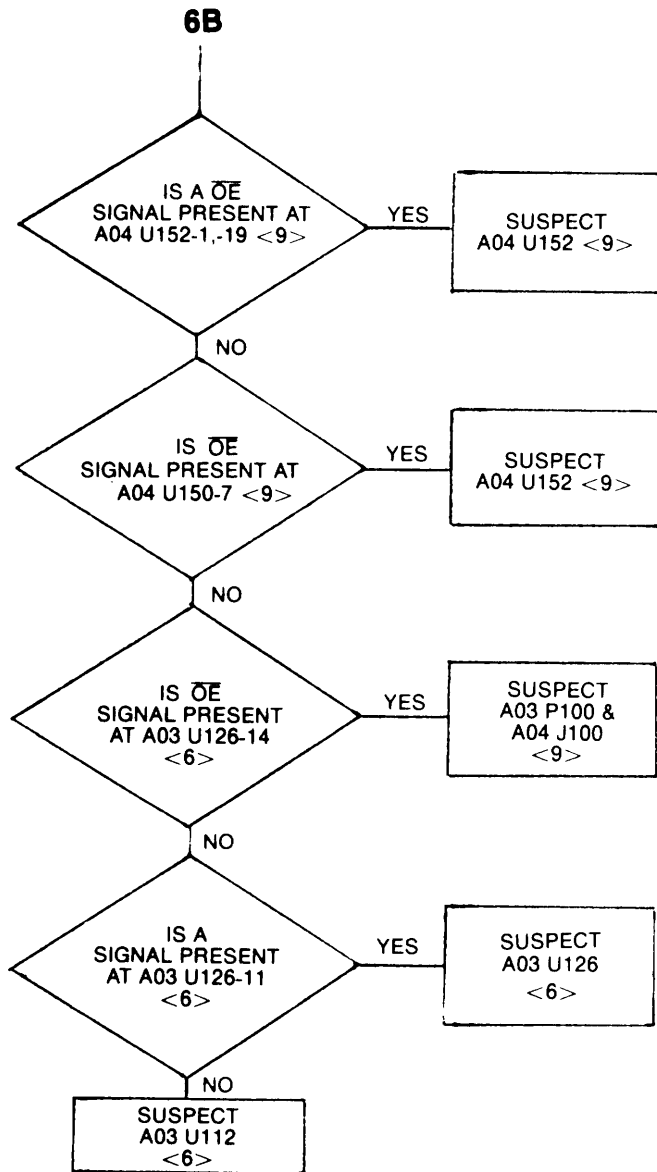


Figure 7-17. Troubleshooting Tree 6. Clock A04 (Sheet 2 of 2)

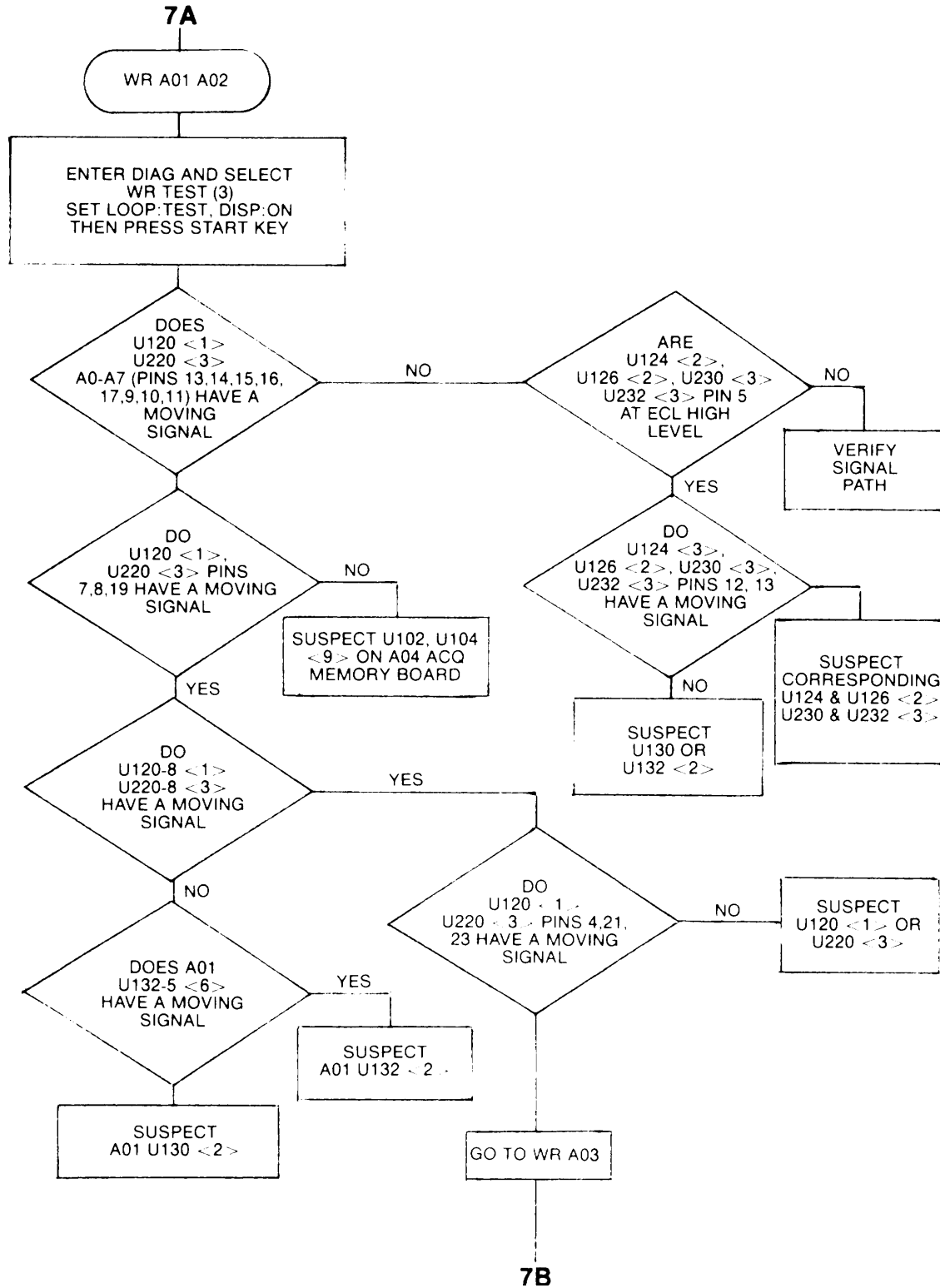


Figure 7-18. Troubleshooting Tree 7: Word Recognizer (WR A01 A02) (Sheet 1 of 3)

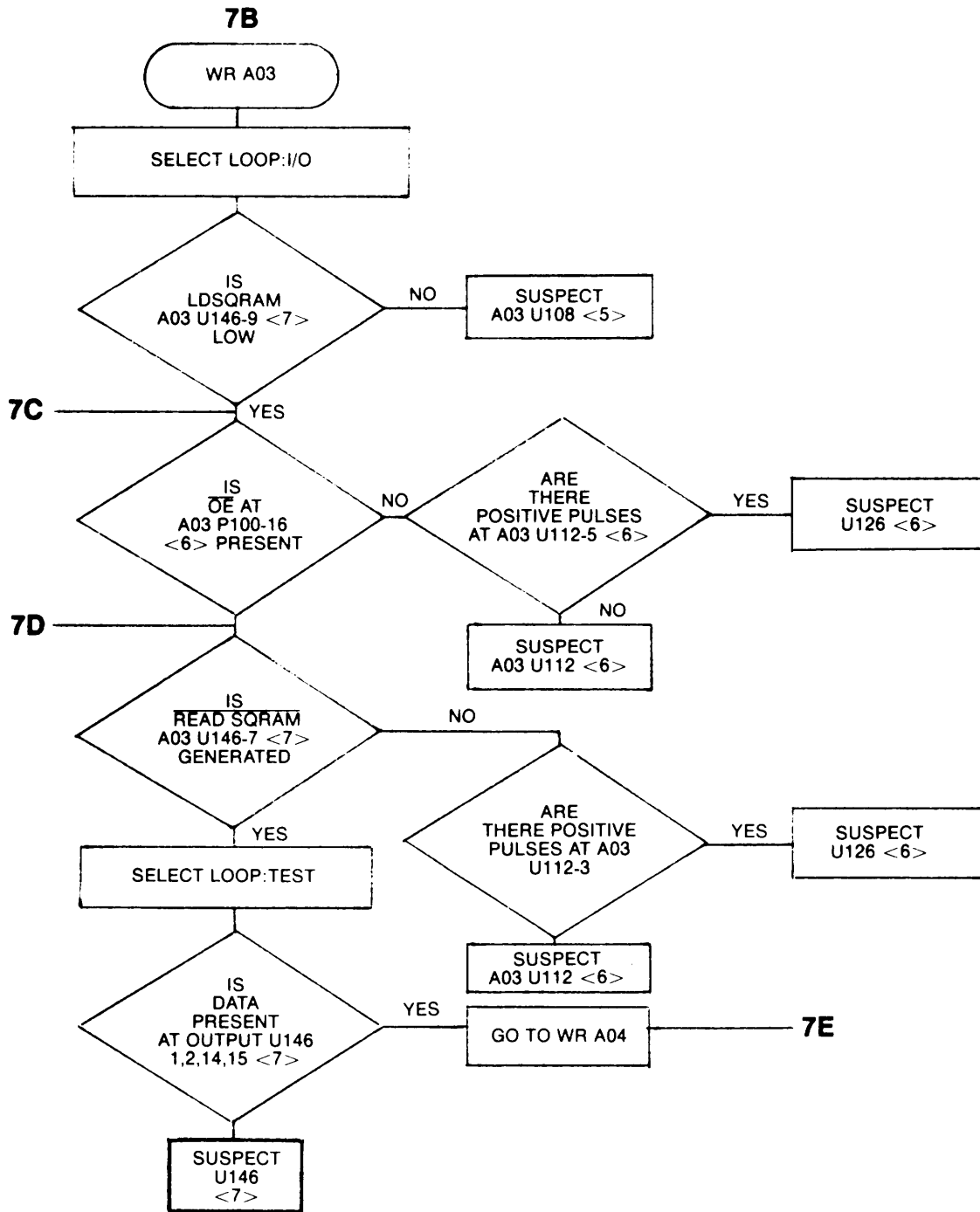


Figure 7-18. Troubleshooting Tree 7: Word Recognizer (WR A01 A02) (Sheet 2 of 3)

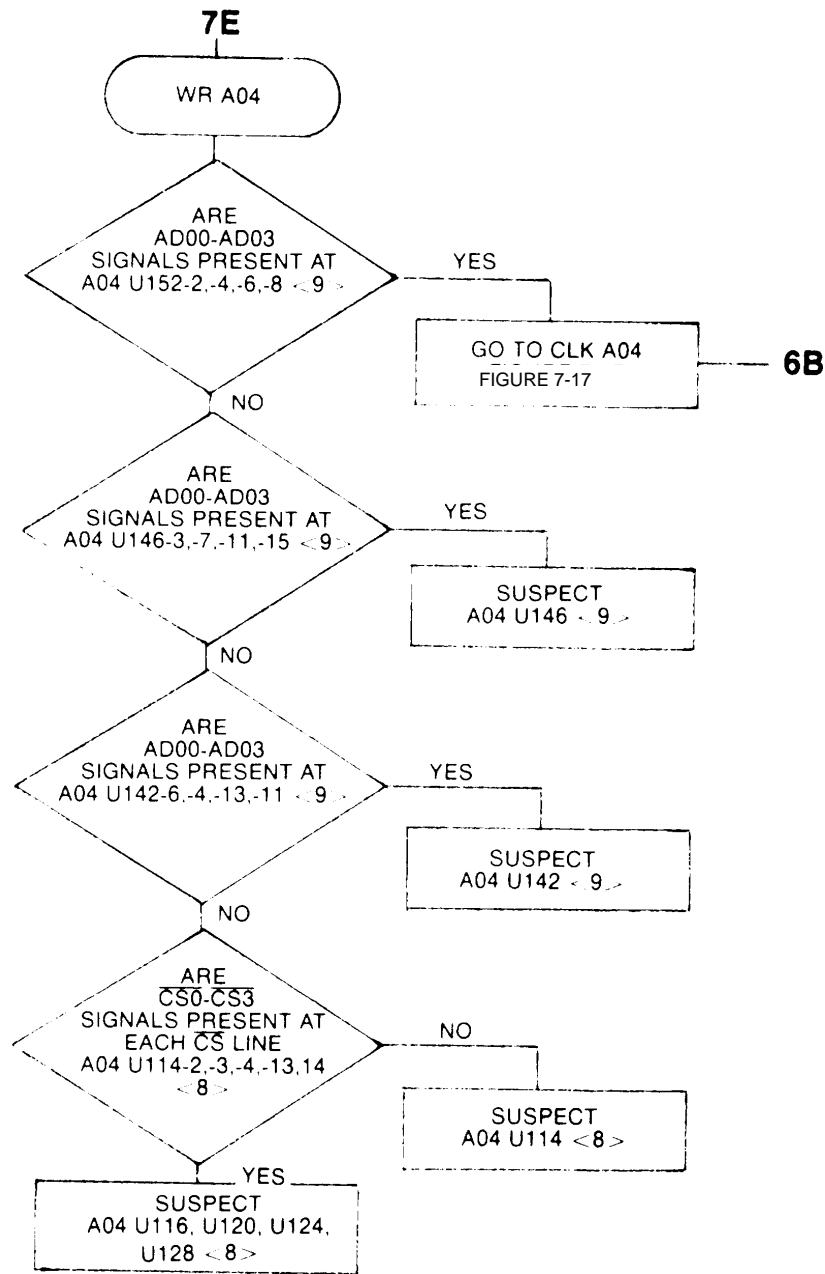


Figure 7-18. Troubleshooting Tree 7: Word Recognizer (WR A01 A02) (Sheet 3 of 3)

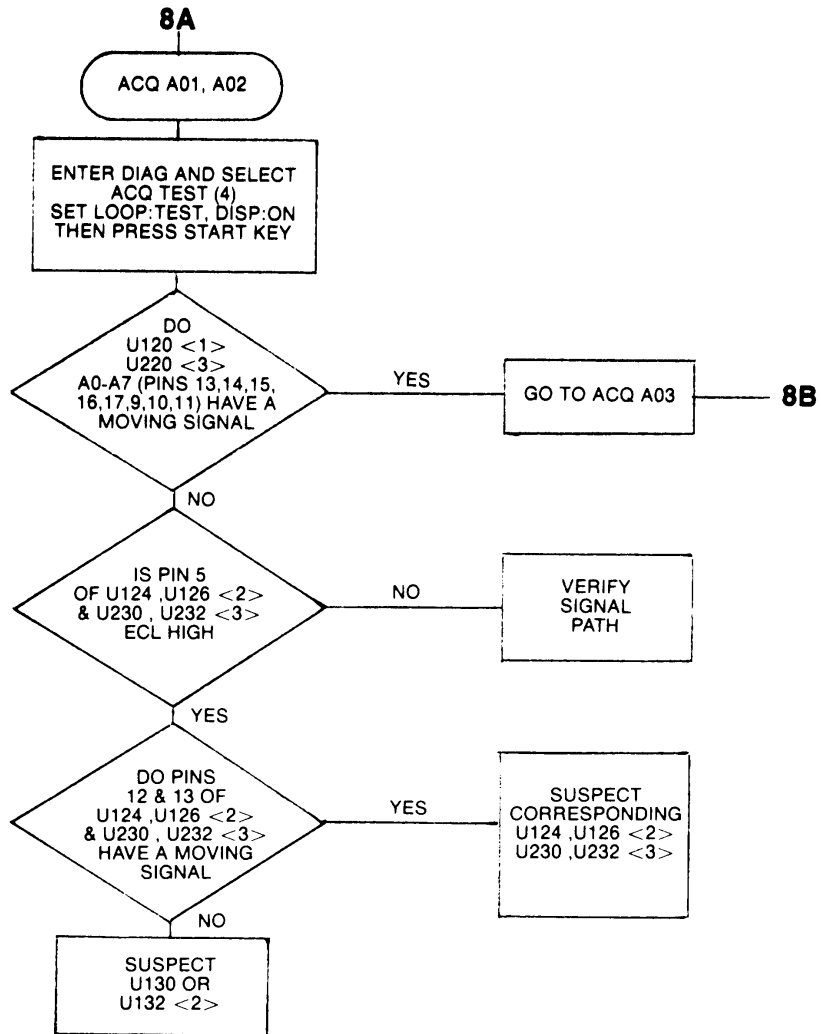


Figure 7-19. Troubleshooting Tree 8: Data Acquisition (ACQ A01 A02) (Sheet 1 of 6)

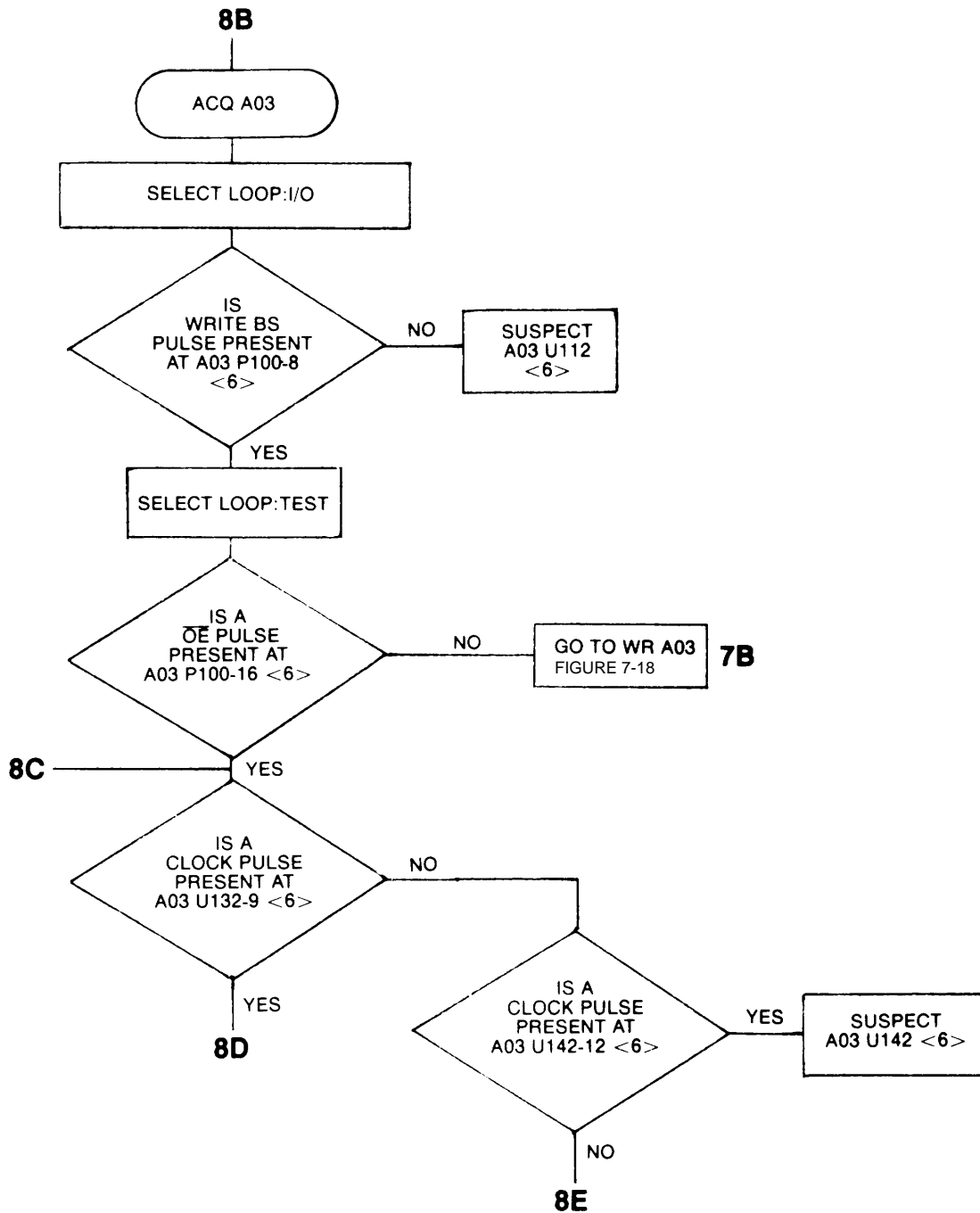


Figure 7-19. Troubleshooting Tree 8: Data Acquisition (ACQ A01 A02) (Sheet 2 of 6)

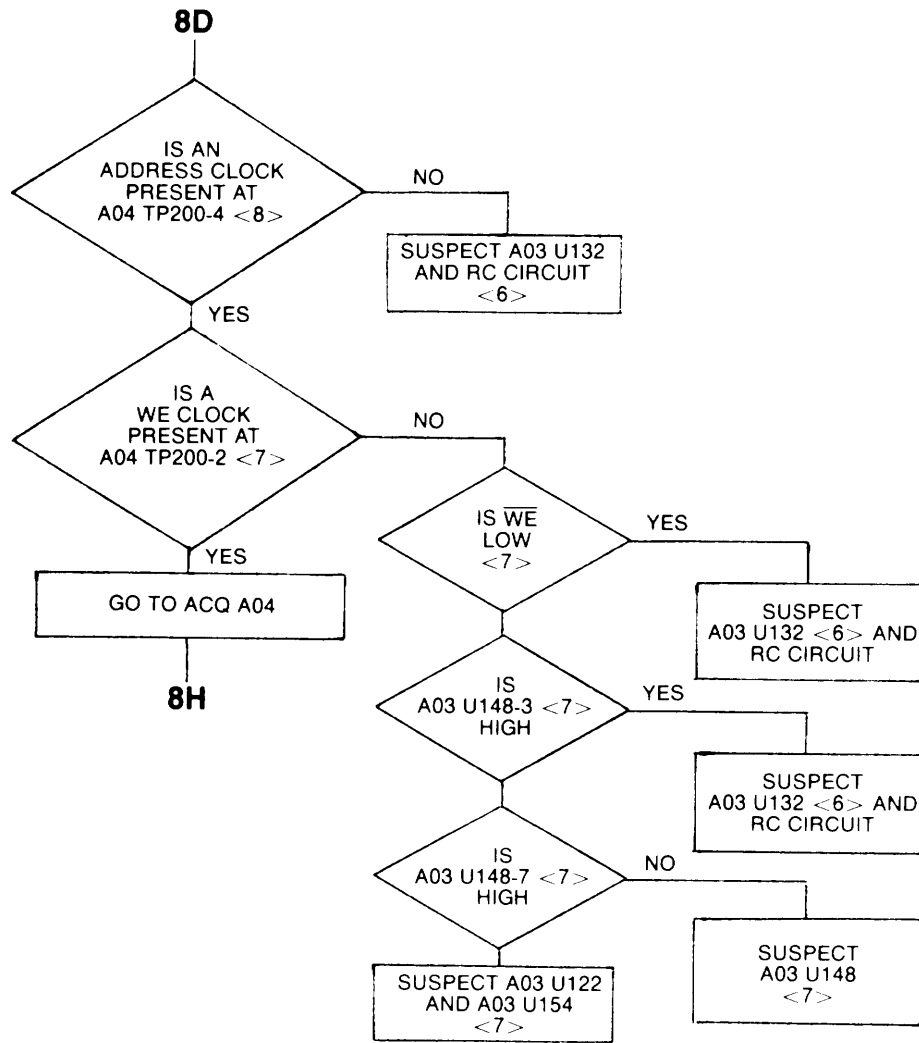


Figure 7-19. Troubleshooting Tree 8: Data Acquisition (ACO A01 A02) (Sheet 3 of 6)

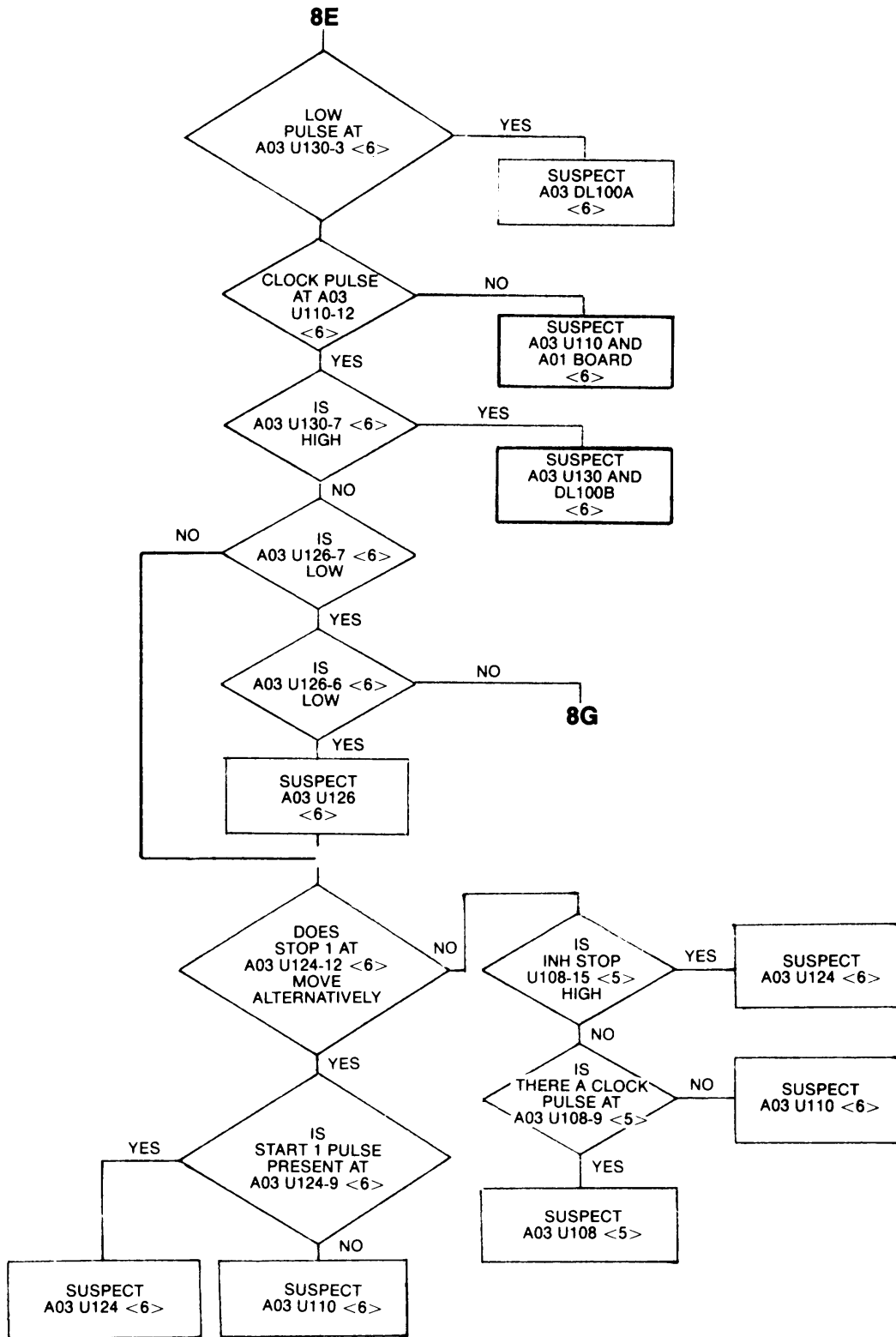


Figure 7-19. Troubleshooting Tree 8: Data Acquisition (ACQ A01 A02) (Sheet 4 of 6)

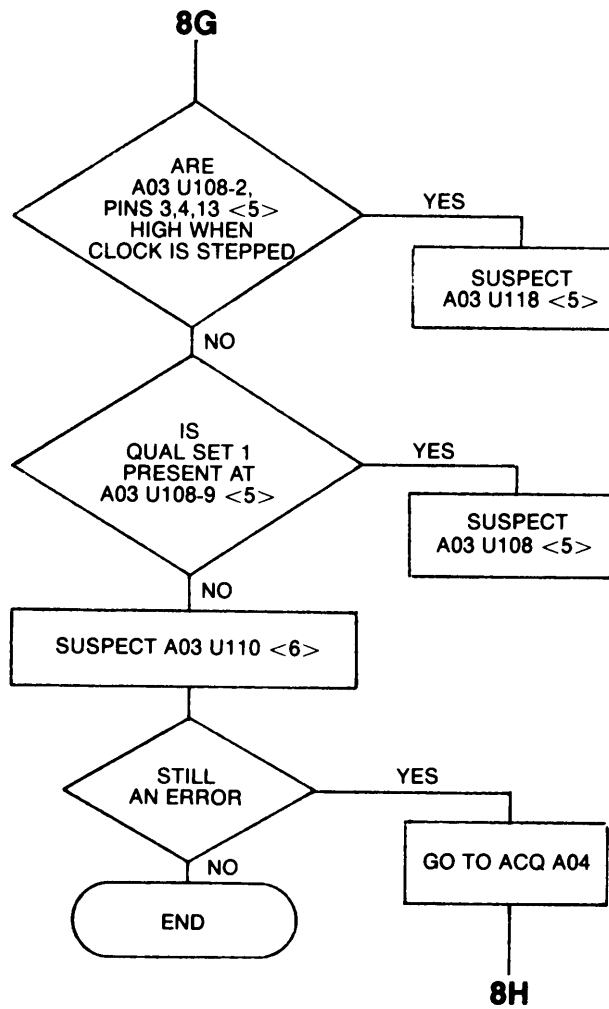


Figure 7-19. Troubleshooting Tree 8: Data Acquisition (ACQ A01 A02) (Sheet 5 of 6)

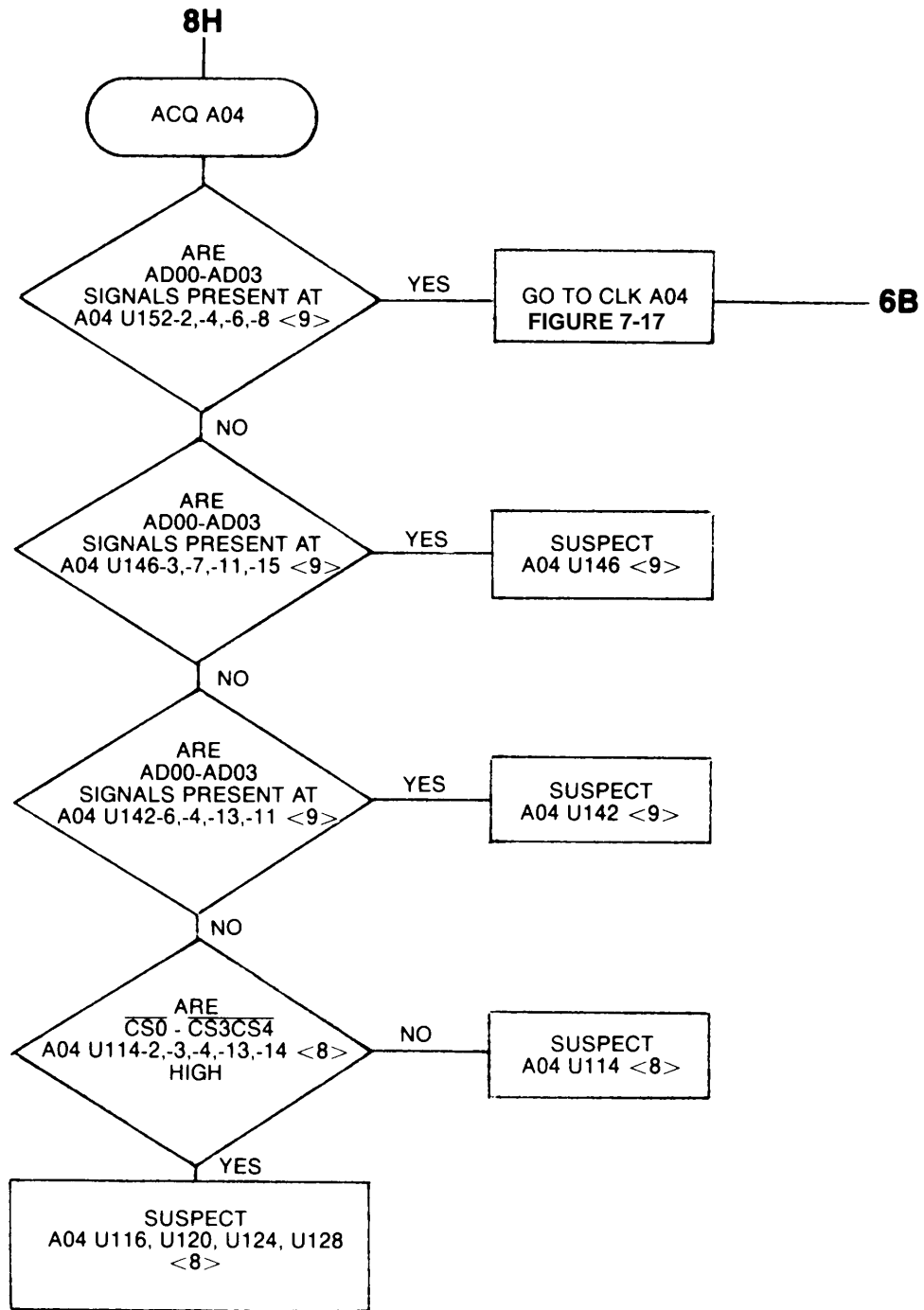


Figure 7-19. Troubleshooting Tree 8: Data Acquisition (ACQ A01 A02) (Sheet 6 of 6)

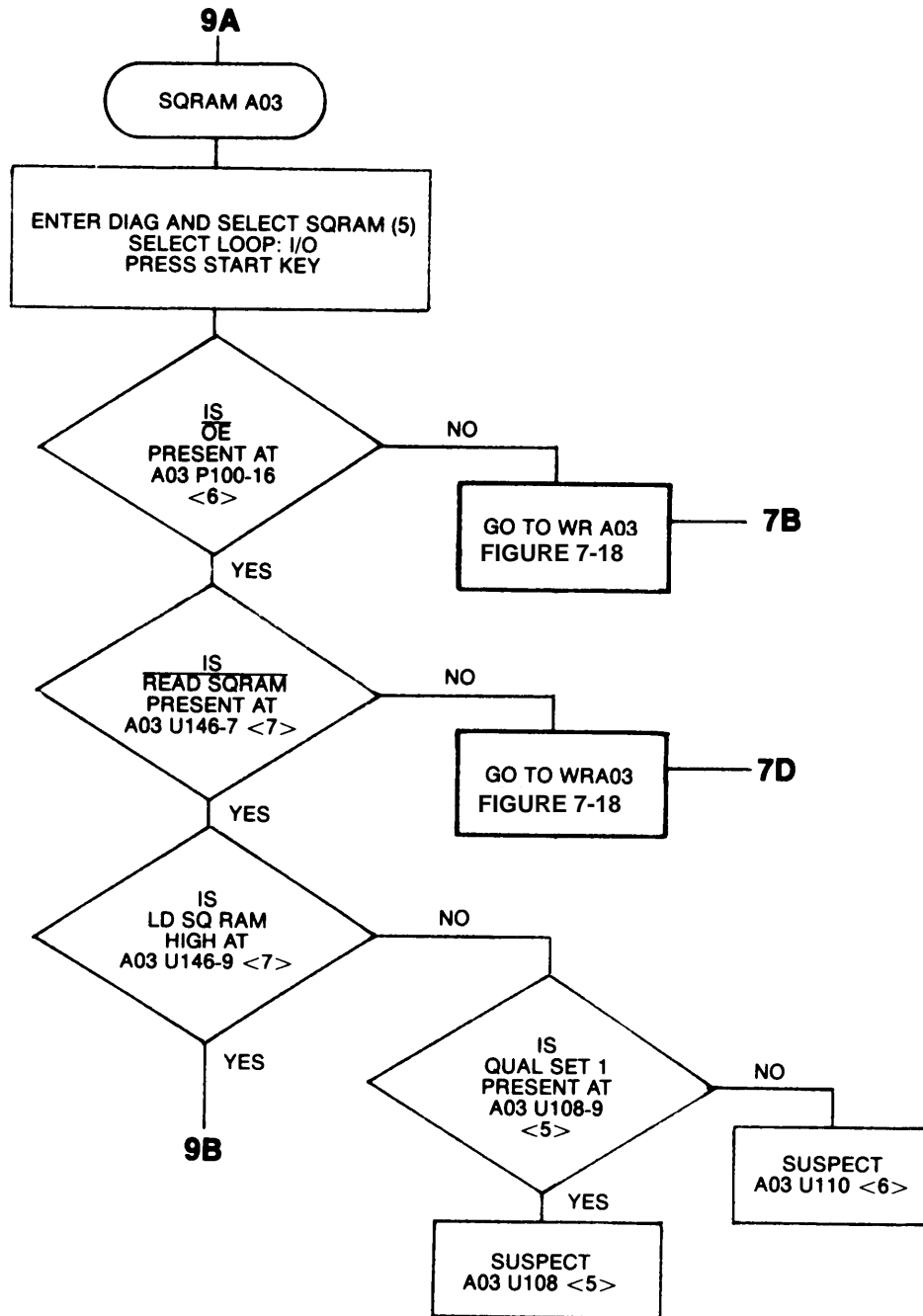


Figure 7-20. Troubleshooting Tree 9: SGRAM A03 (Sheet 1 of 4)

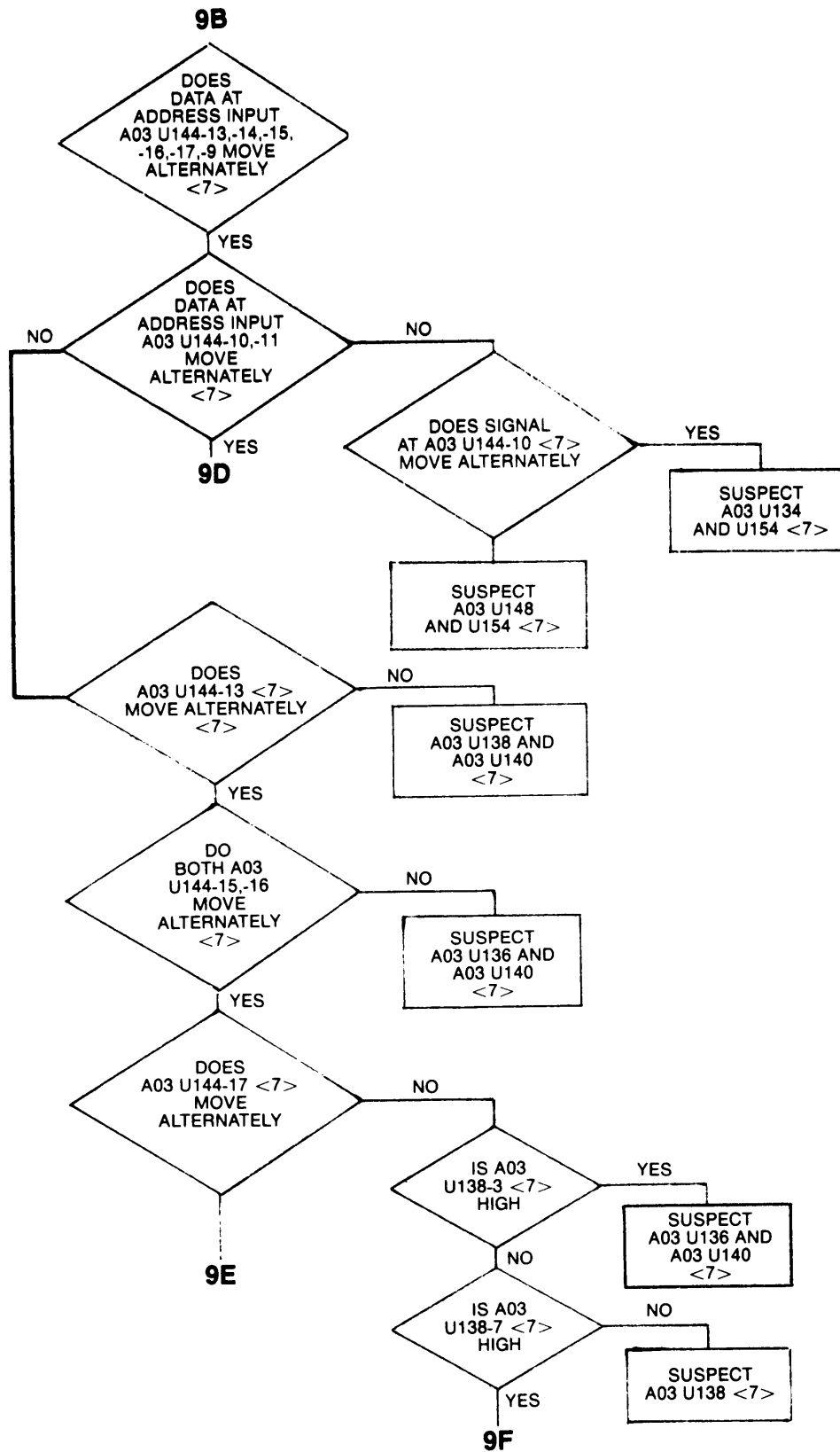


Figure 7-20. Troubleshooting Tree 9: SGRAM A03 (Sheet 2 of 4)

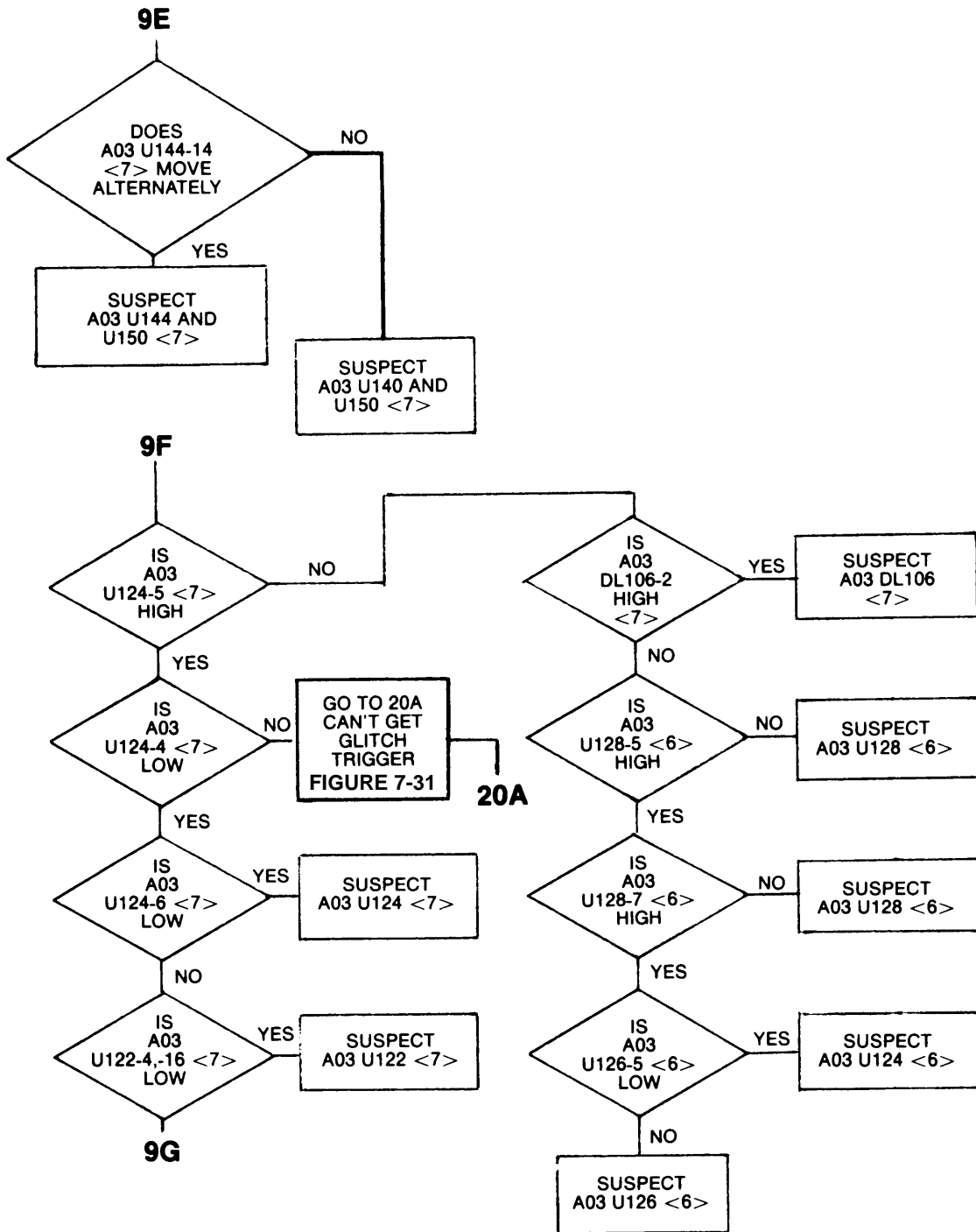


Figure 7-20. Troubleshooting Tree 9: SQRAM A03 (Sheet 3 of 4)

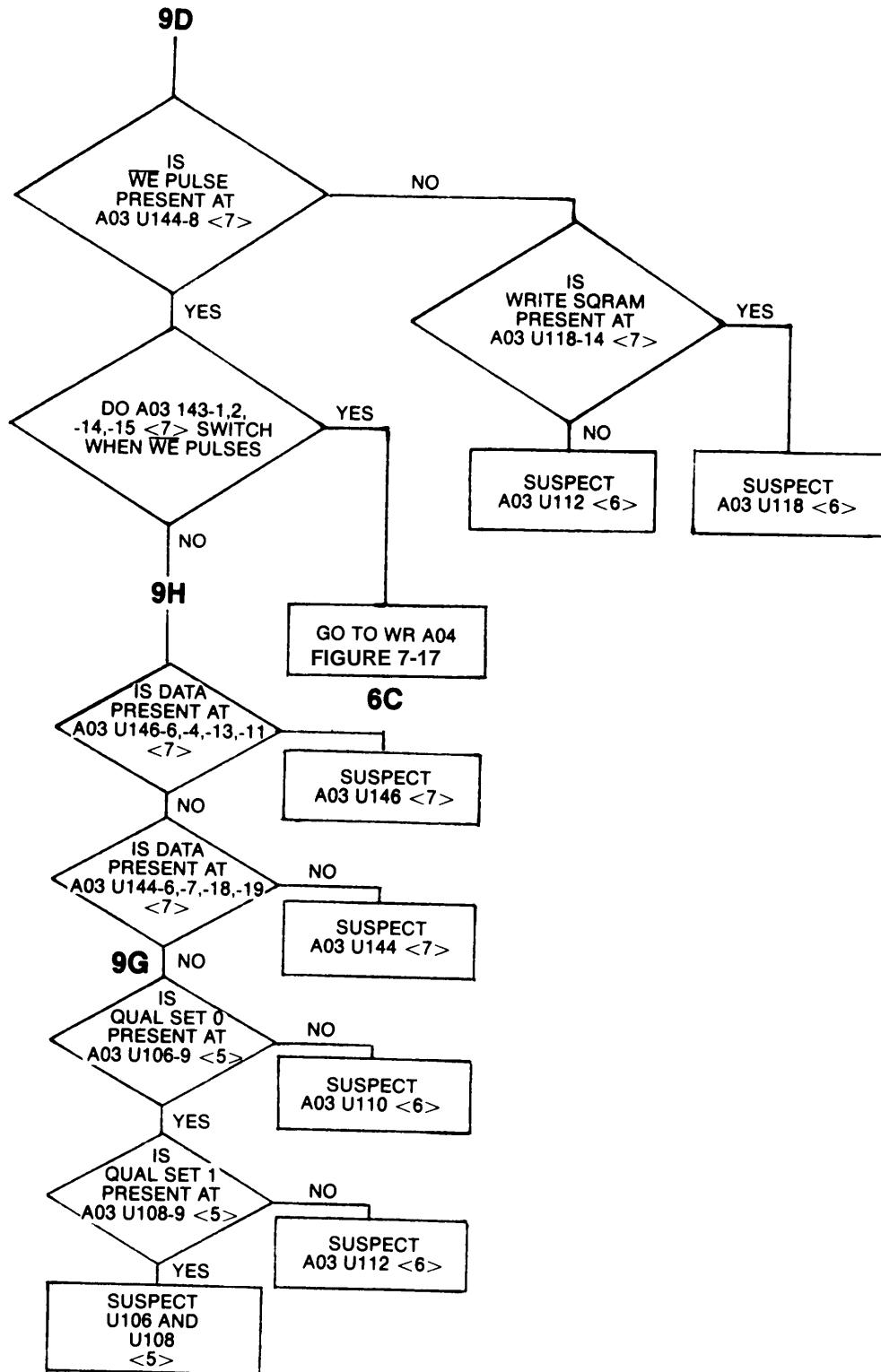


Figure 7-20. Troubleshooting Tree 9: SORAM A03 (Shoot 4 of 4)

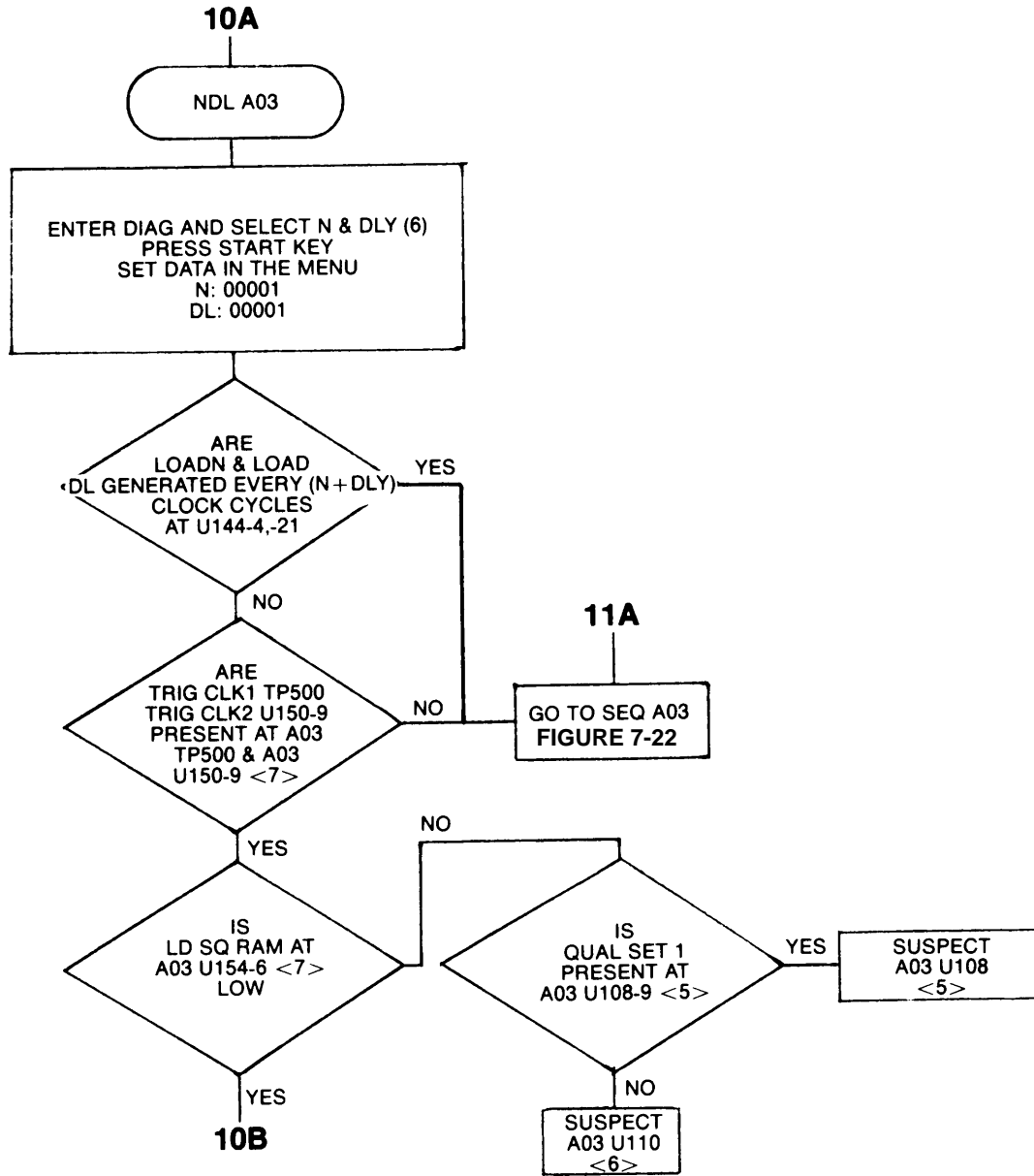


Figure 7-21. Troubleshooting Tree 10: NDL A03 (Sheet 1 of 2)

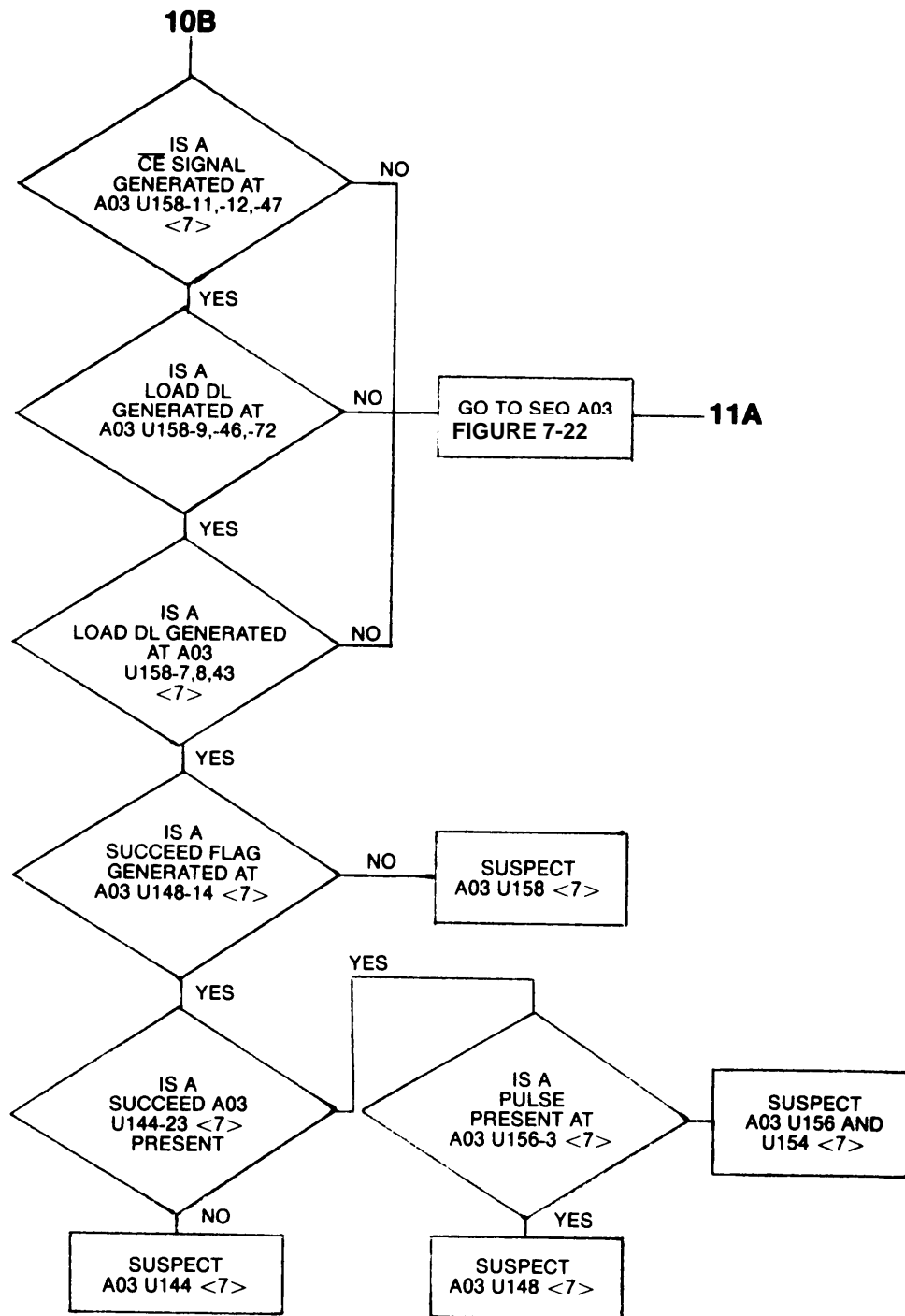


Figure 7-21. Troubleshooting Tree 10: NDL A03 (Sheet 2 of 2)

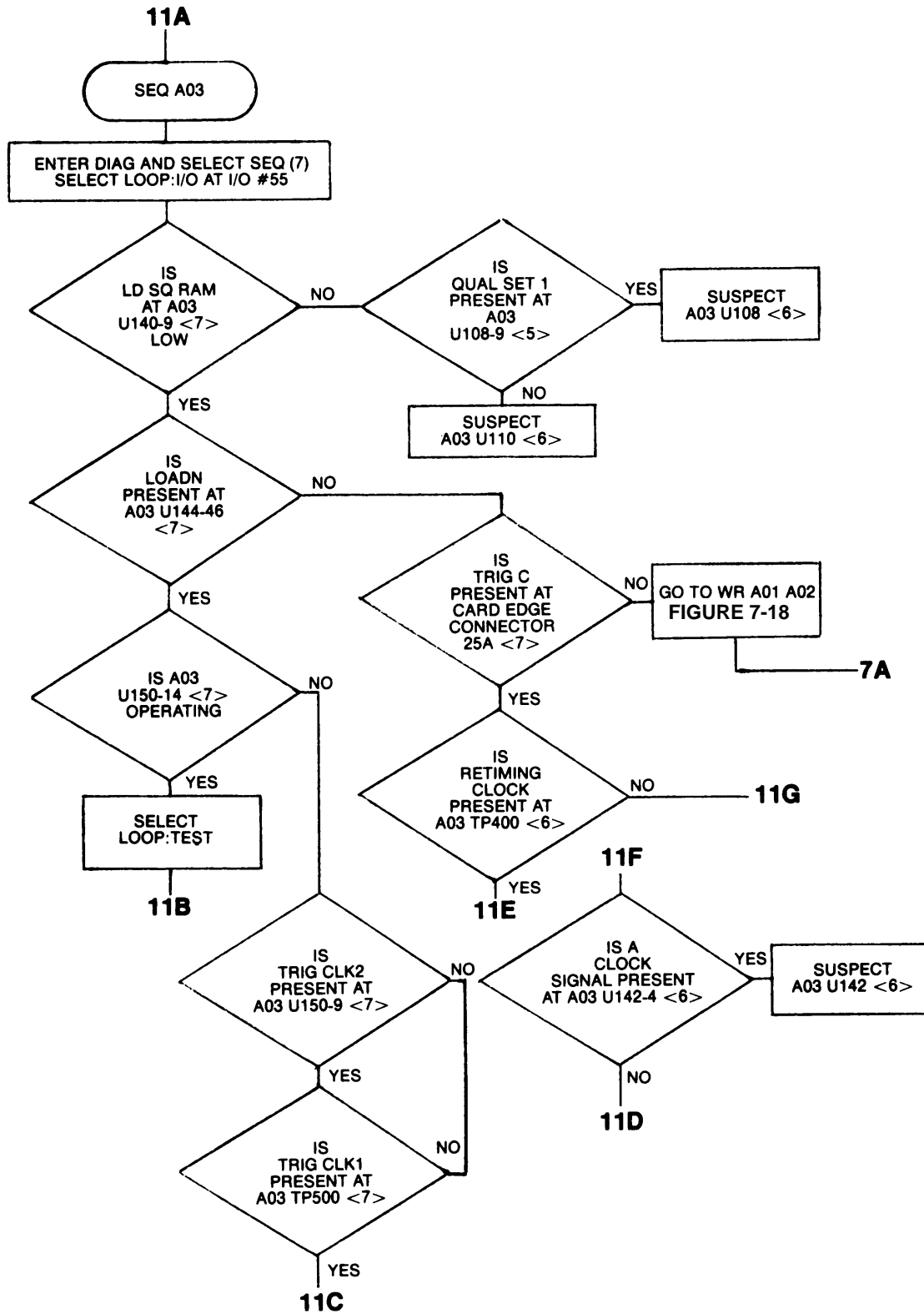


Figure 7-22. Troubleshooting Tree 11: SEQ A03 (Sheet 1 of 4)

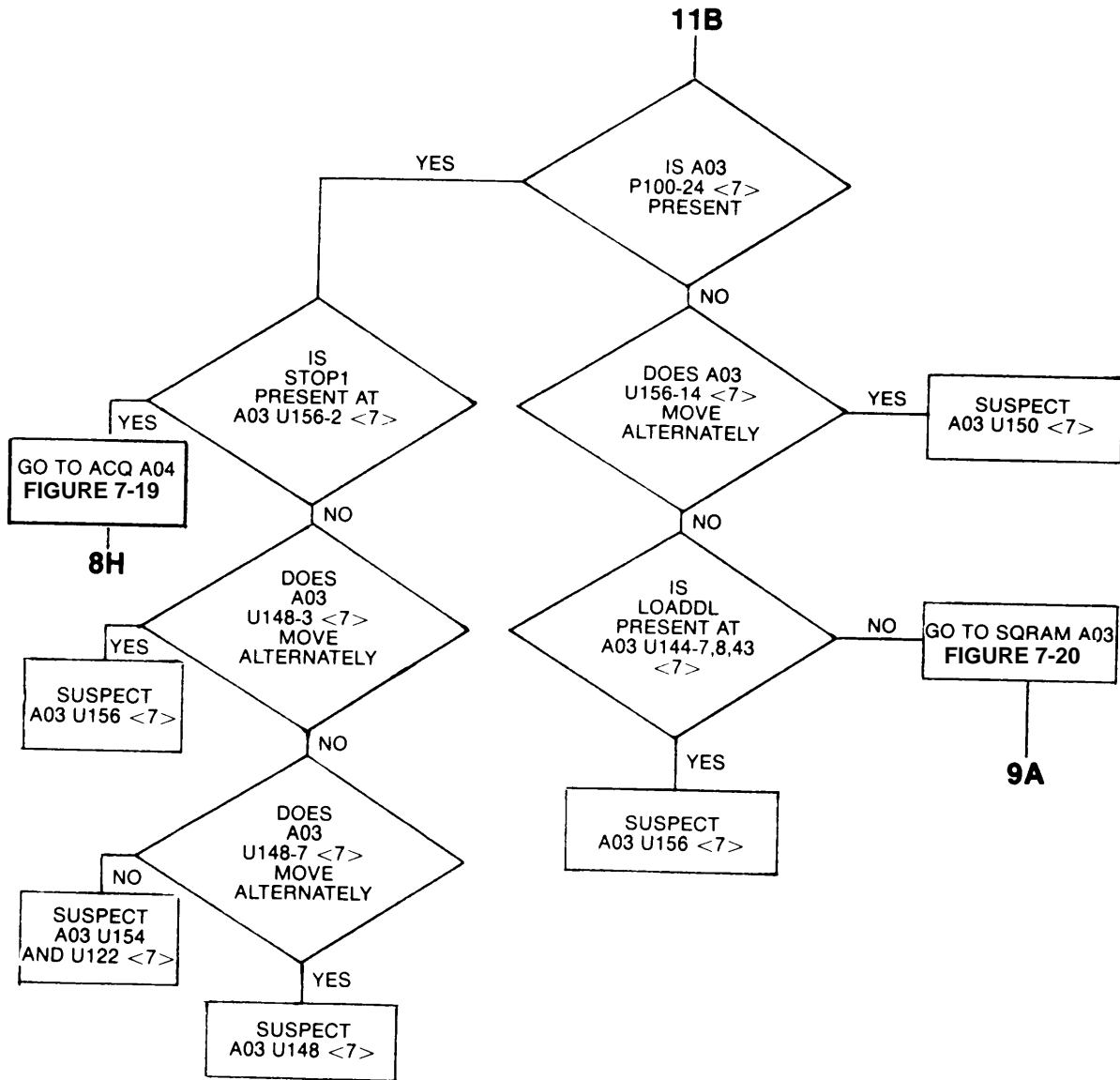


Figure 7-22. Troubleshooting Tree 11: SEQ A03 (Sheet 2 of 4)

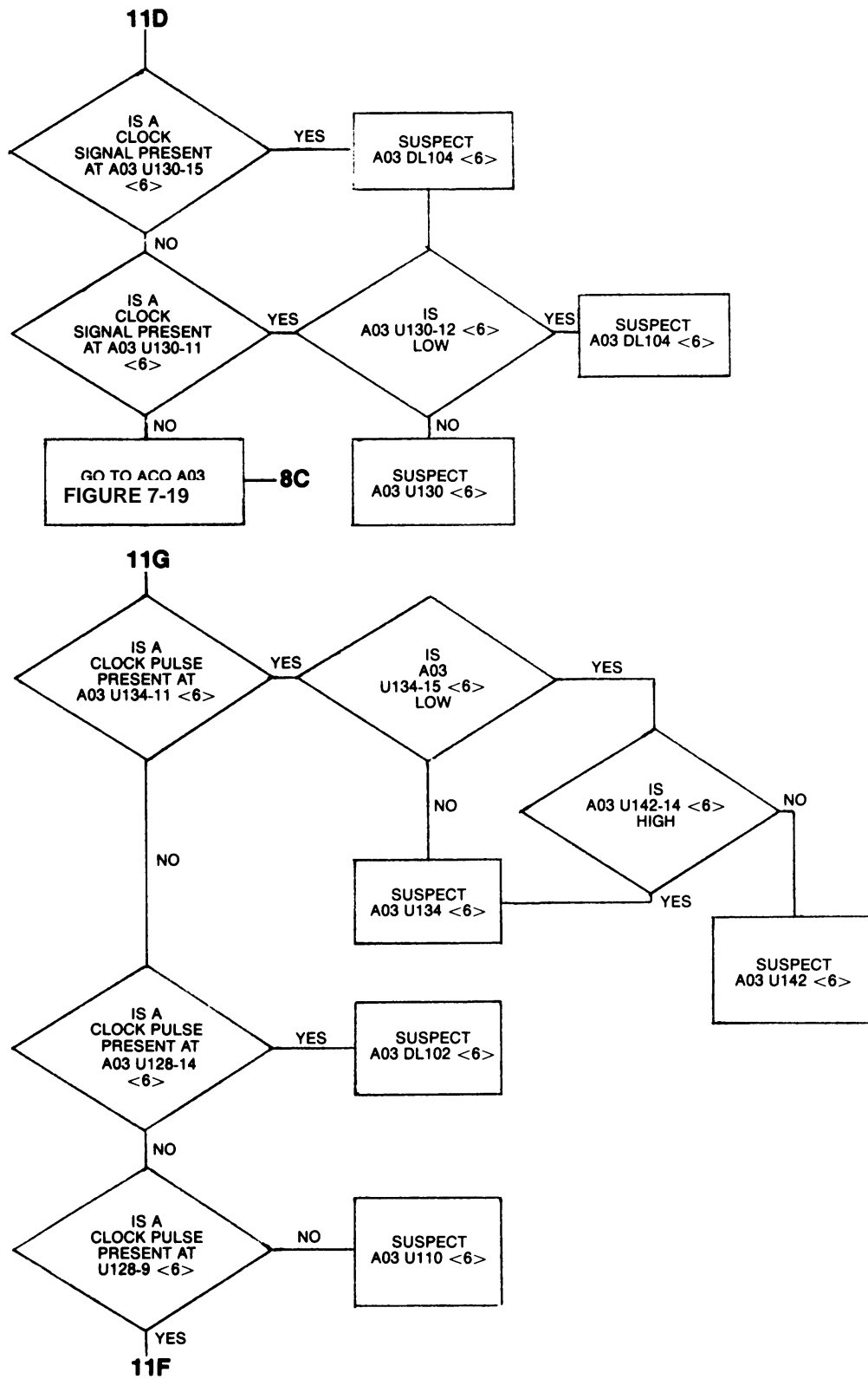


Figure 7-22. Troubleshooting Tree 11: SEQ A03 (Sheet 3 of 4)

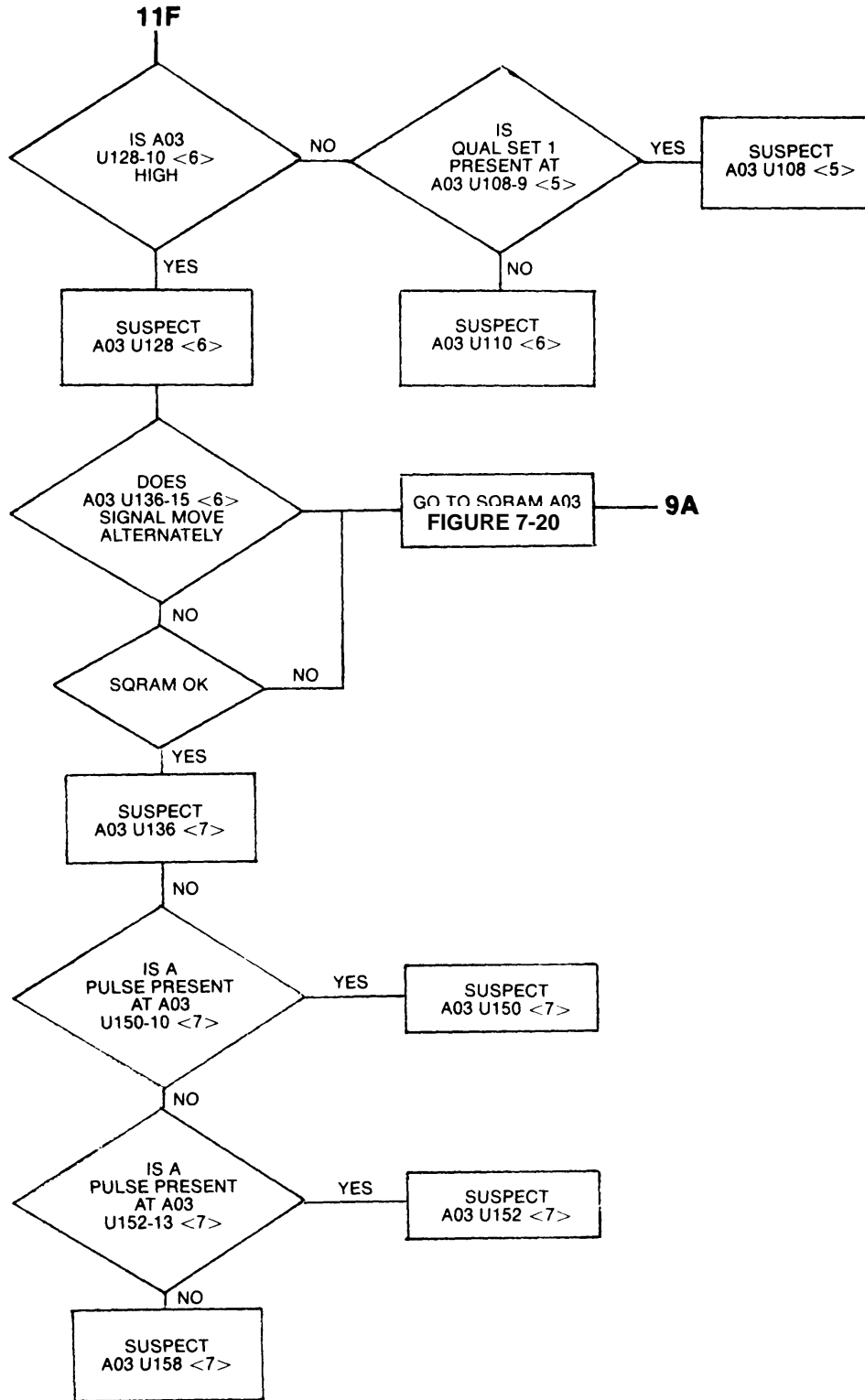


Figure 7-22. Troubleshooting Tree 11: SEQ A03 (Sheet 4 of 4)

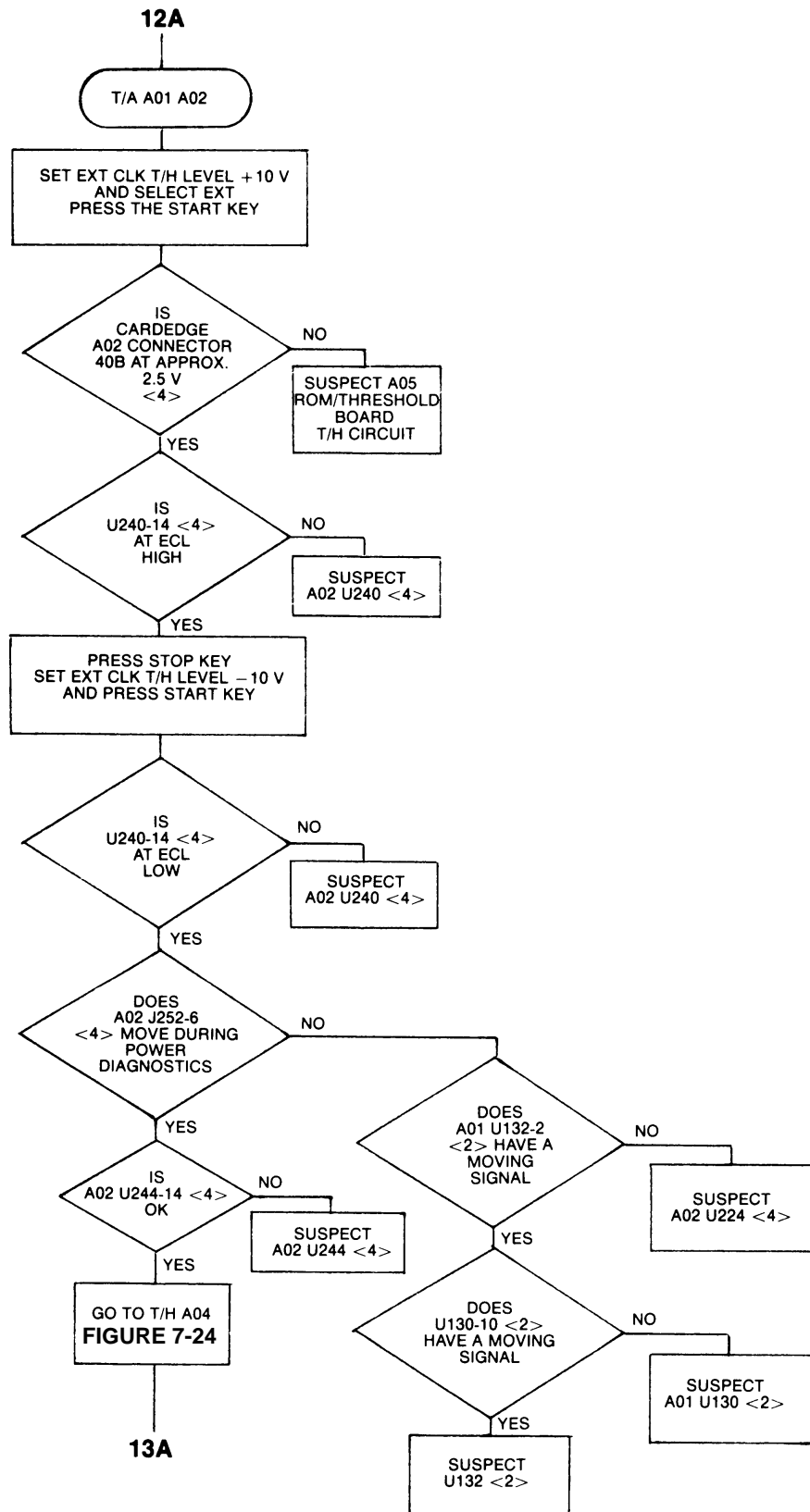


Figure 7-23. Troubleshooting Tree 12: T/H A01, A02

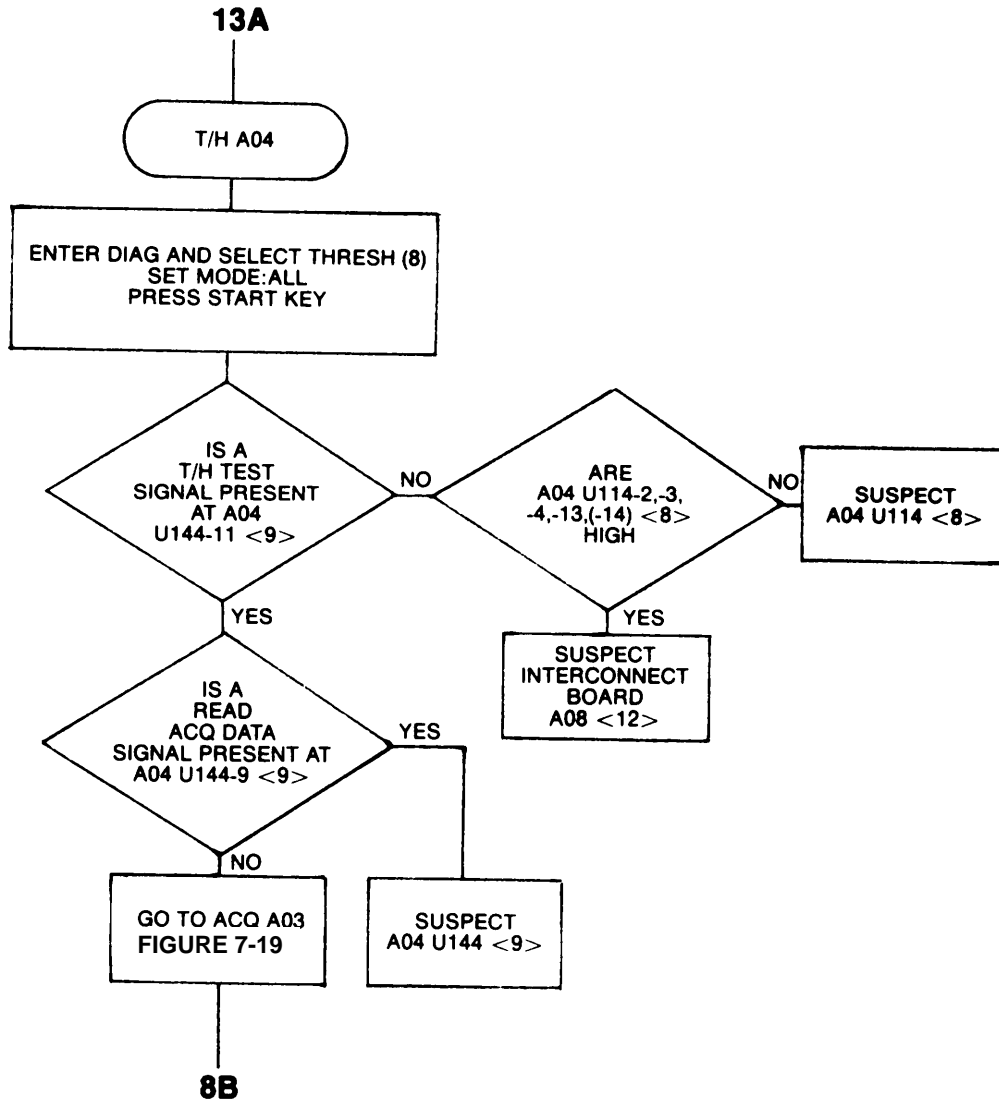


Figure 7-24. Troubleshooting Tree 13: T/H A04

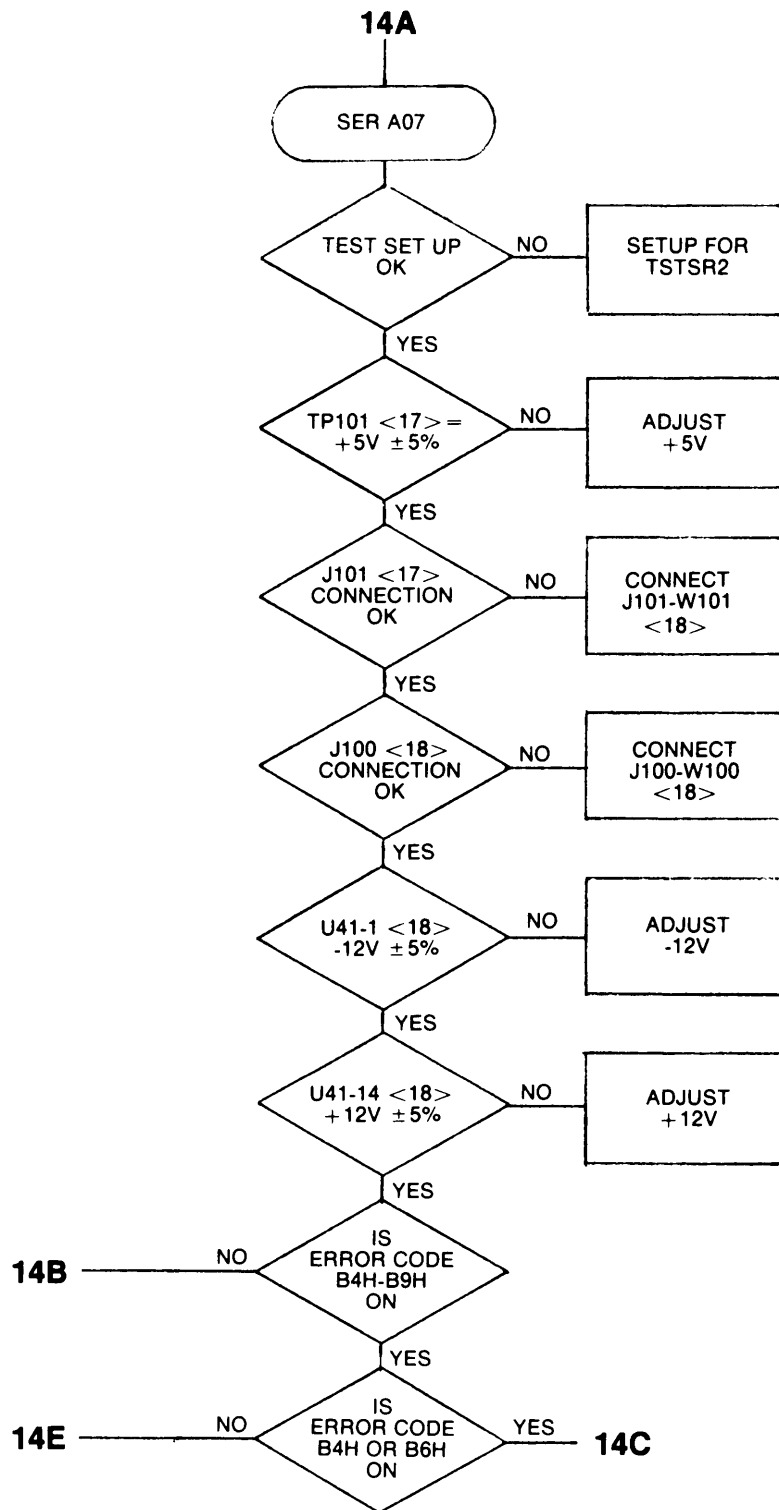


Figure 7-25. Troubleshooting Tree 14: SER A07 (TSTSR2) (Sheet 1 of 4)

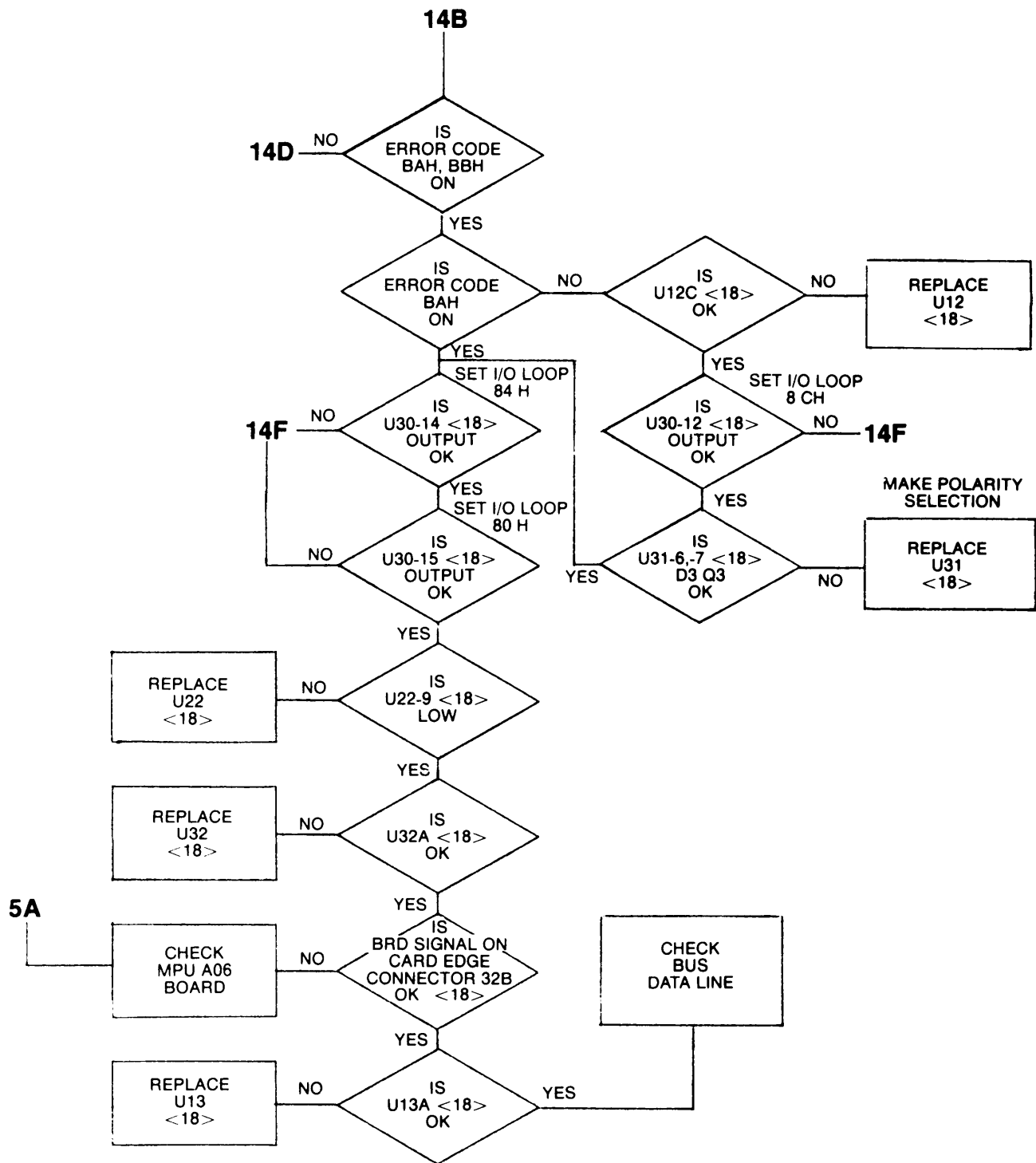


Figure 7-25. Troubleshooting Tree 14: SER A07 (TSTSR2) (Sheet 2 of 4)

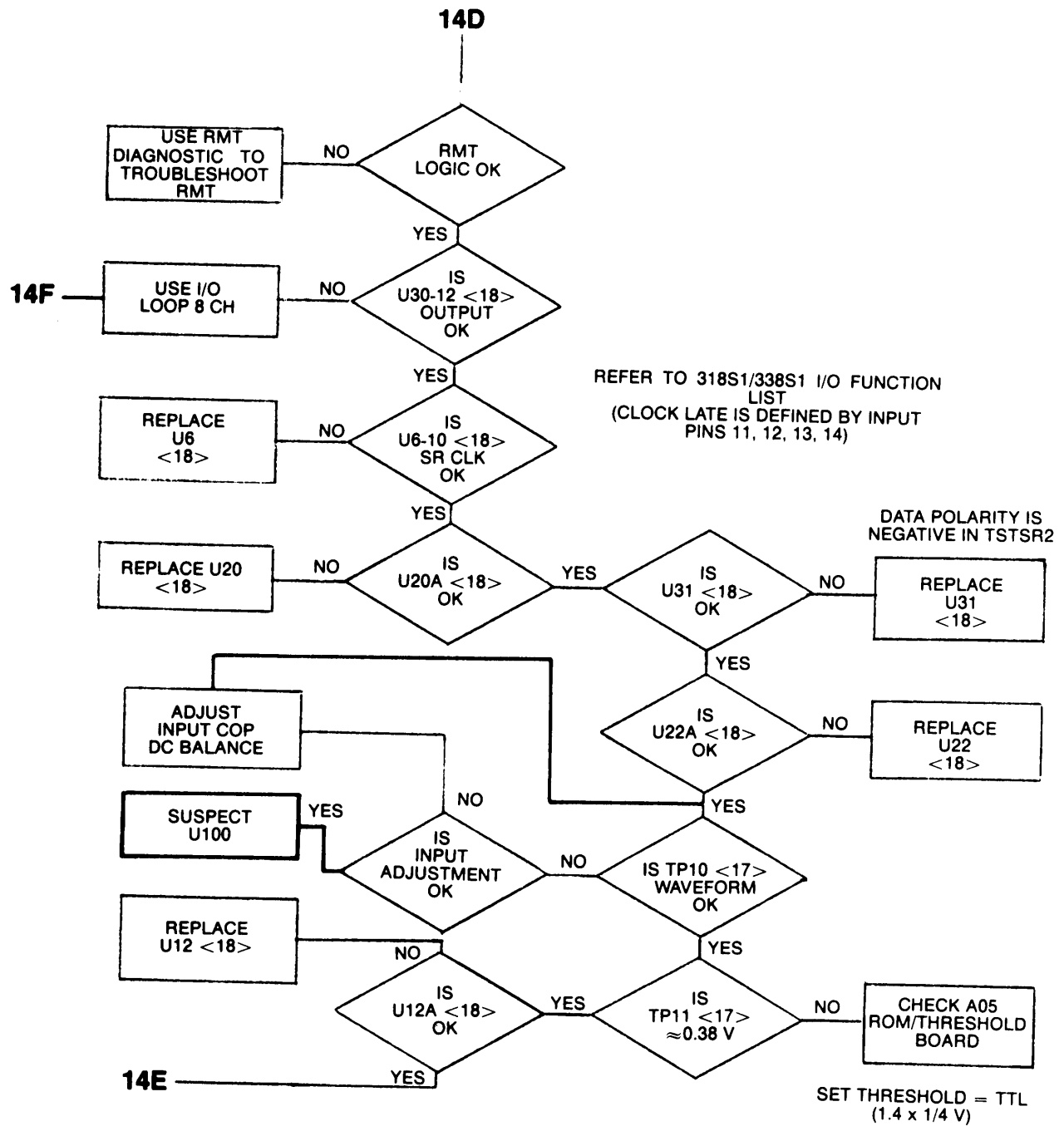


Figure 7-25. Troubleshooting Tree 14: SER A07 (TSTSR2) (Sheet 3 of 4)

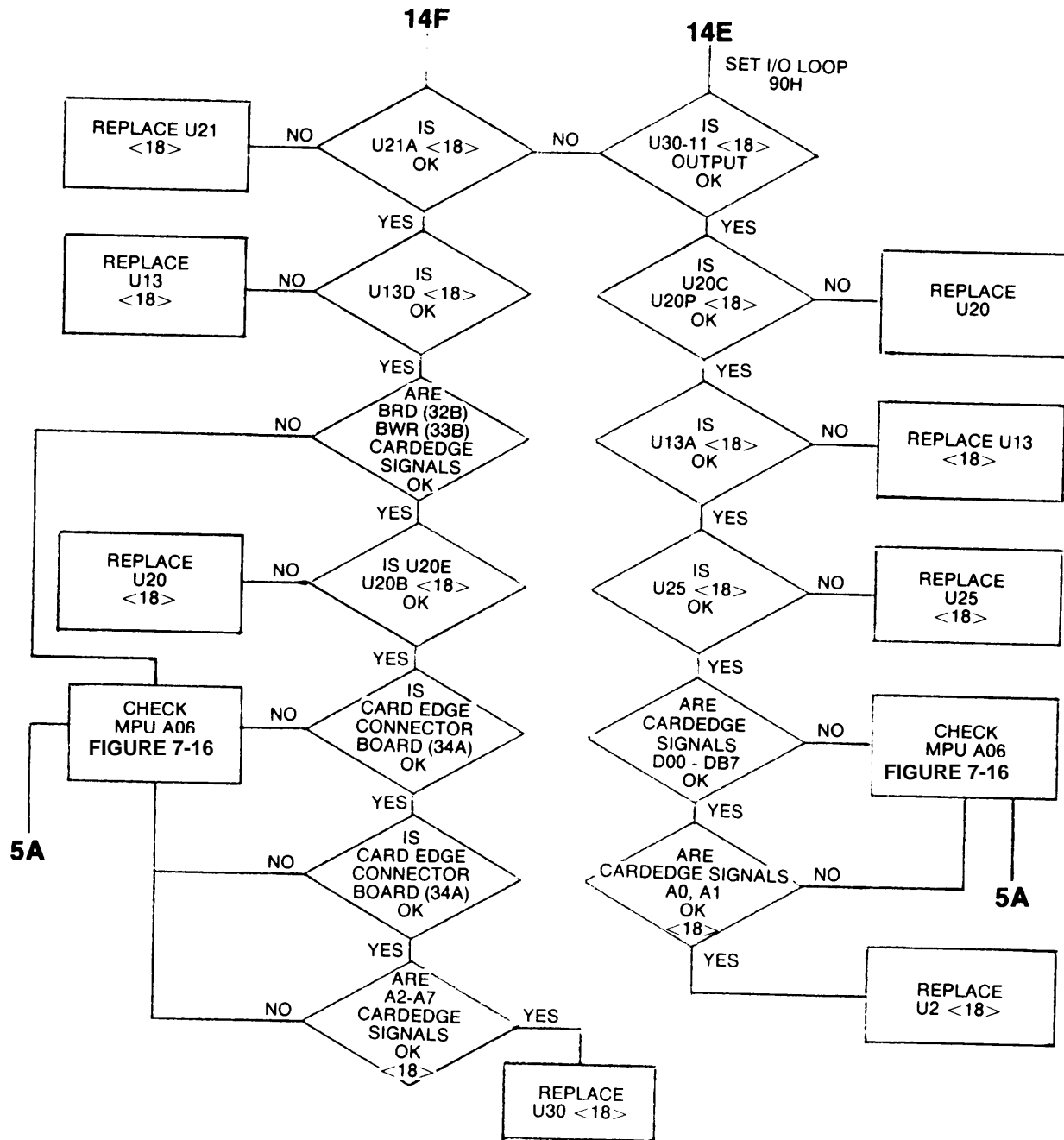


Figure 7-25. Troubleshooting Tree 14: SER A07 (TSTSR2) (Sheet 4 of 4)

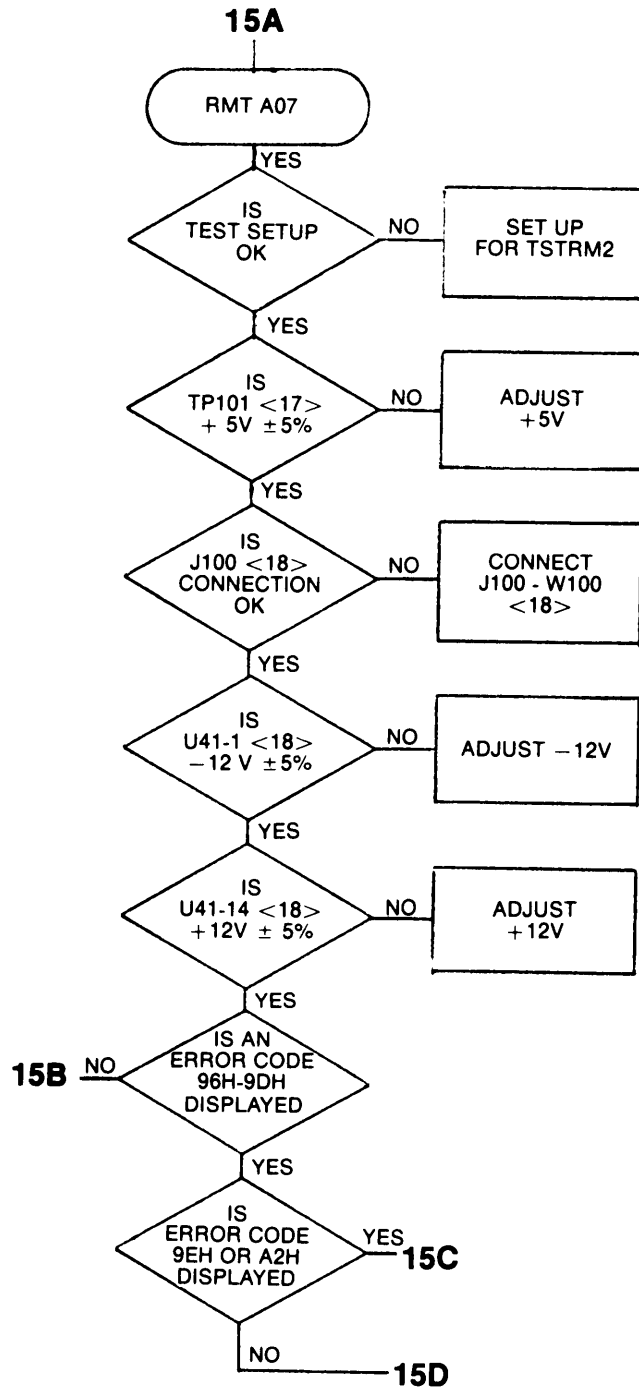


Figure 7-26. Troubleshooting Tree 15: RMT A07 (TSTRM2) (Sheet 1 of 4)

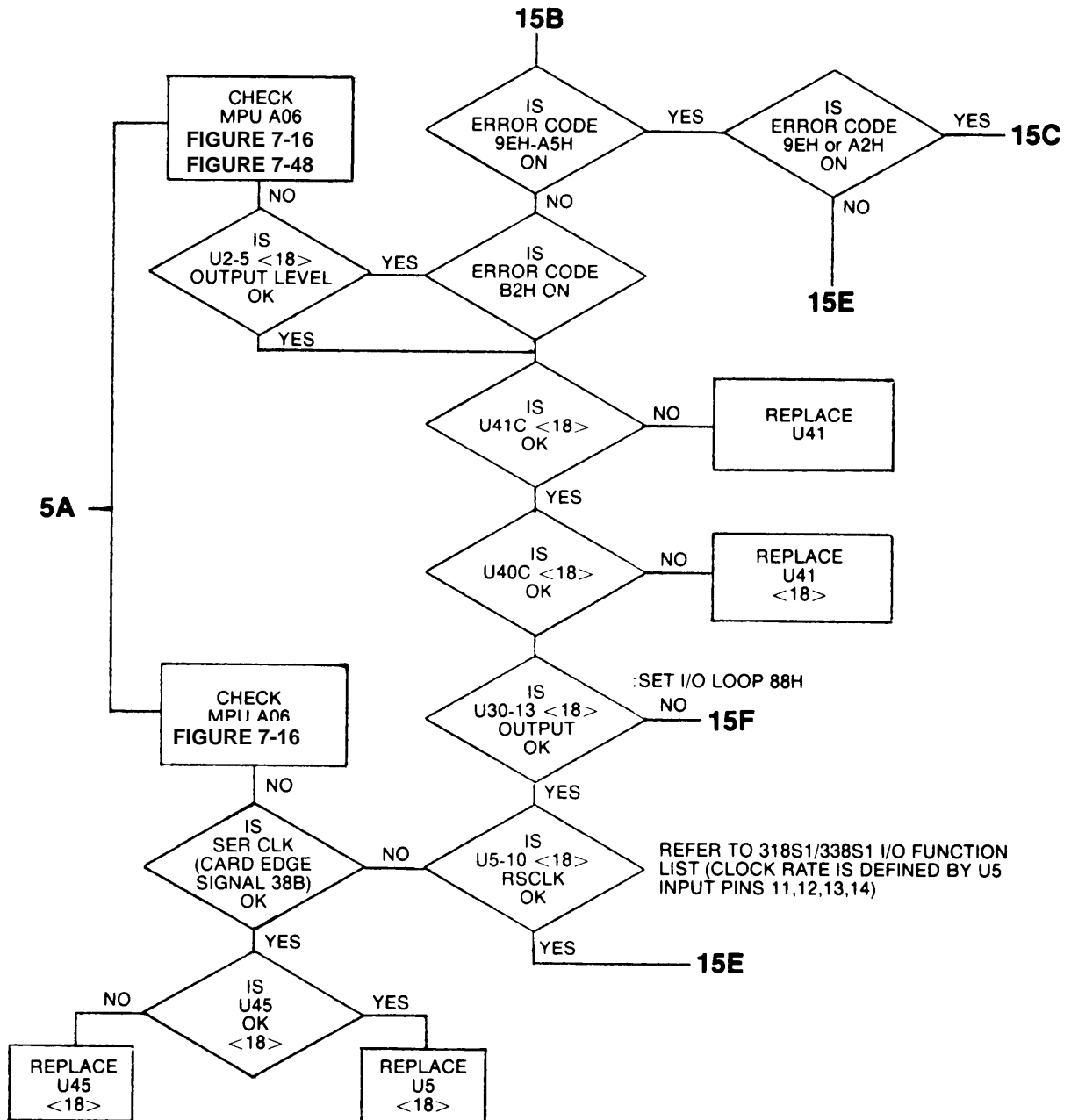


Figure 7-26. Troubleshooting Tree 15: RMT A07 (TSTRM2) (Sheet 2 of 4)

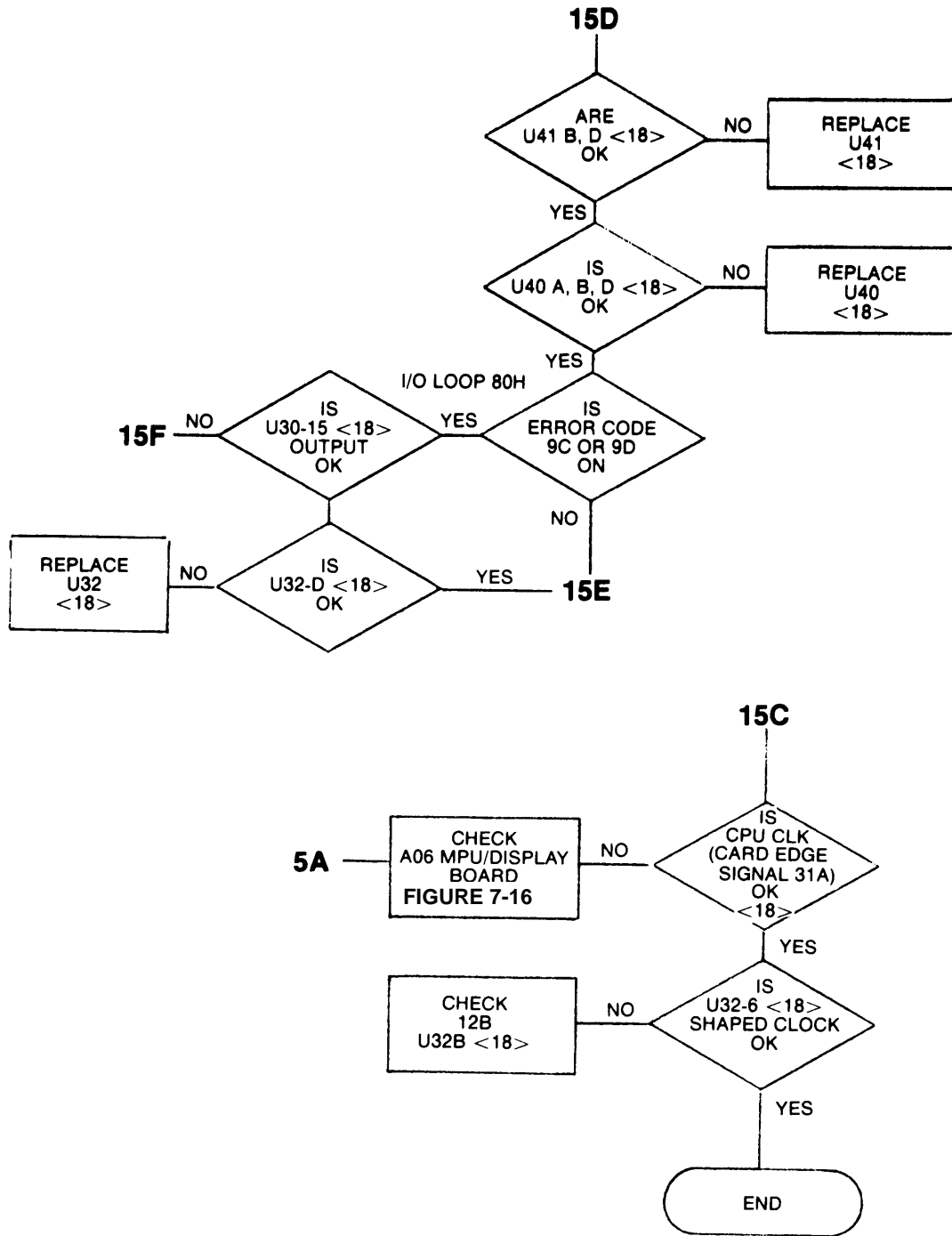


Figure 7-26. Troubleshooting Tree 15: RMT A07 (TSTRM2) (Sheet 3 of 4)

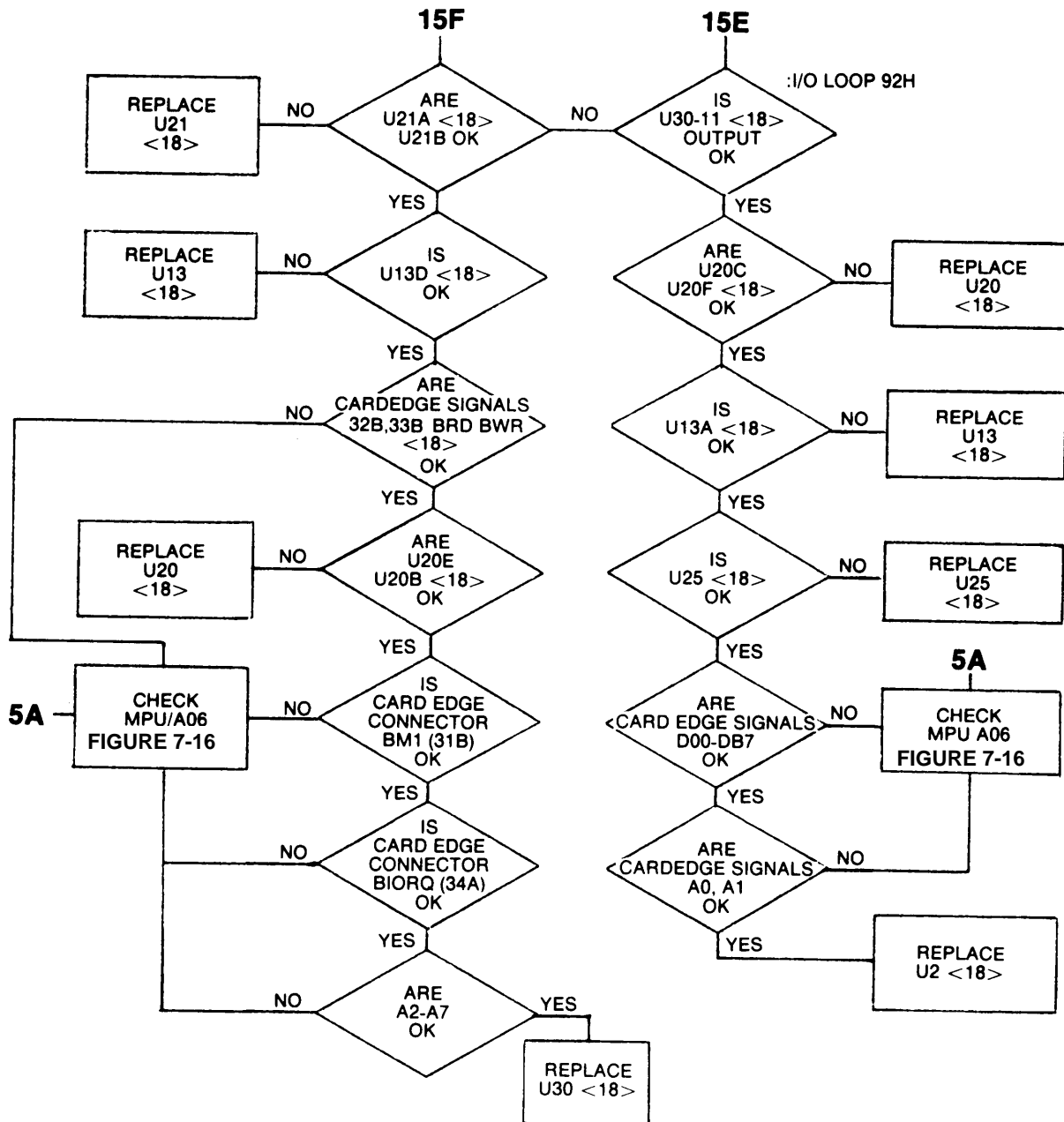


Figure 7-26. Troubleshooting Tree 15: RMT A07 (TSTRM2) (Sheet 4 of 4)

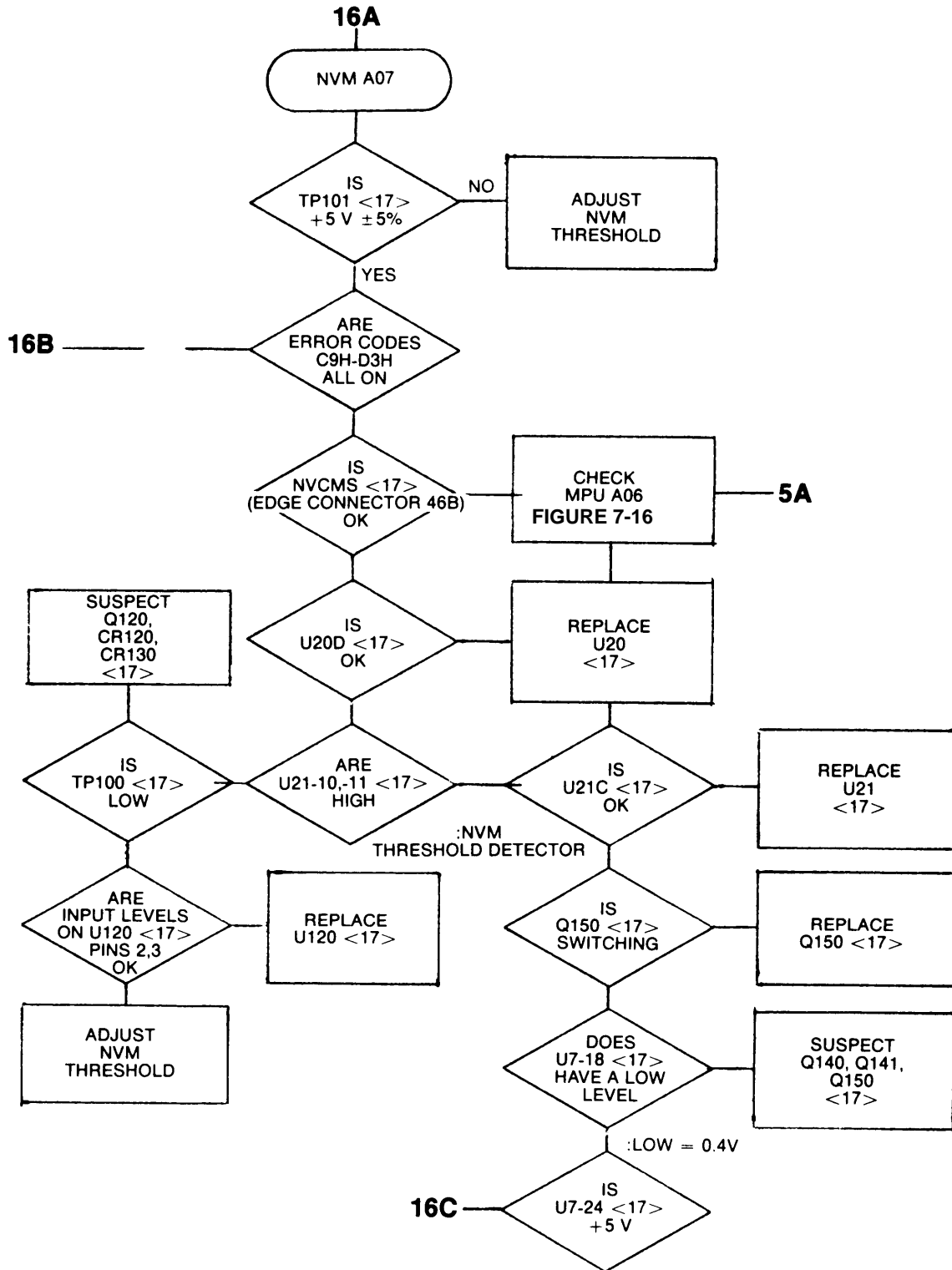


Figure 7-27. Troubleshooting Tree 16: Non-Volatile Memory (NVM A07) (Sheet 1 of 2)

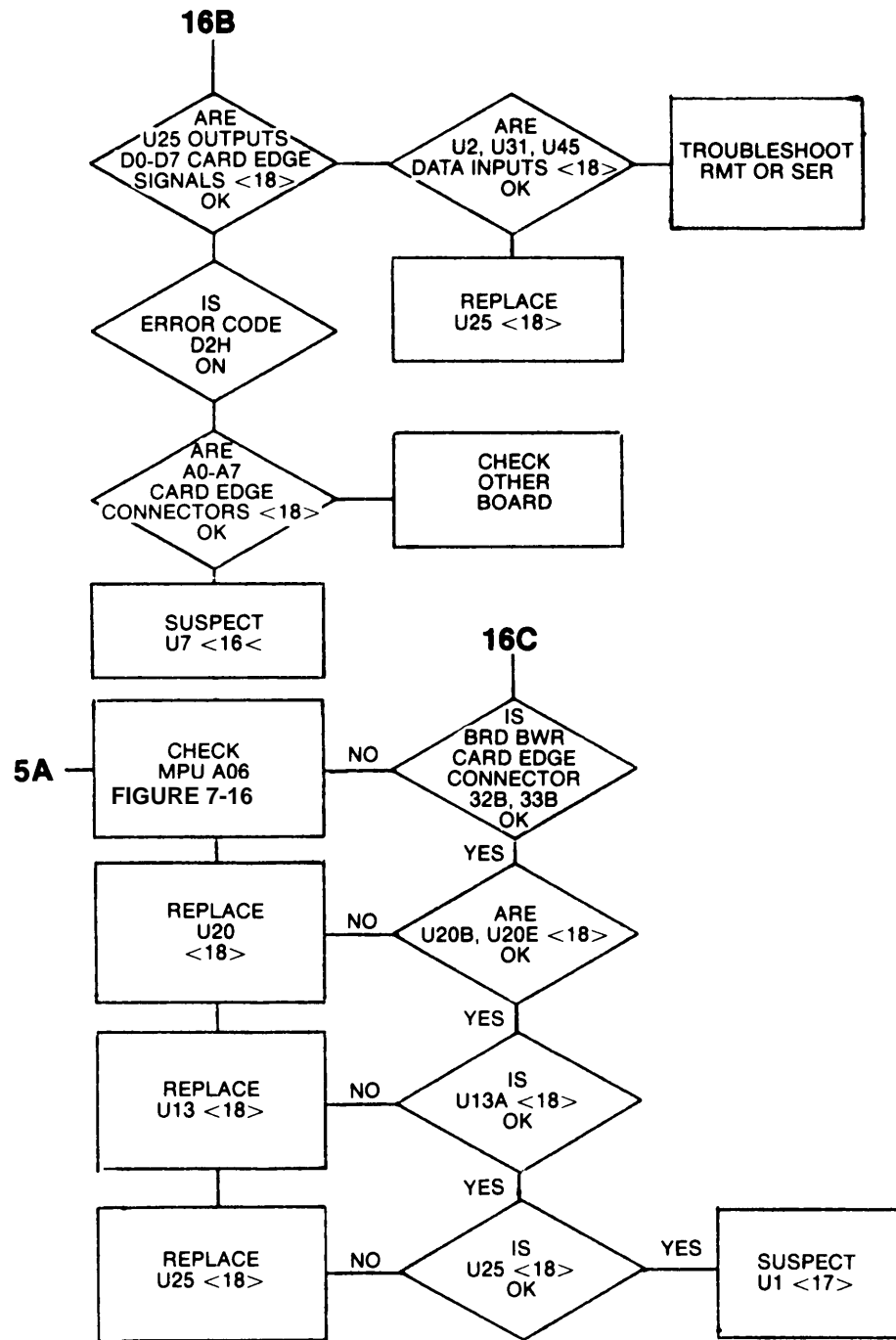


Figure 7-27. Troubleshooting Tree 16: Non-Volatile Memory (NVM A07) (Sheet 2 of 2)

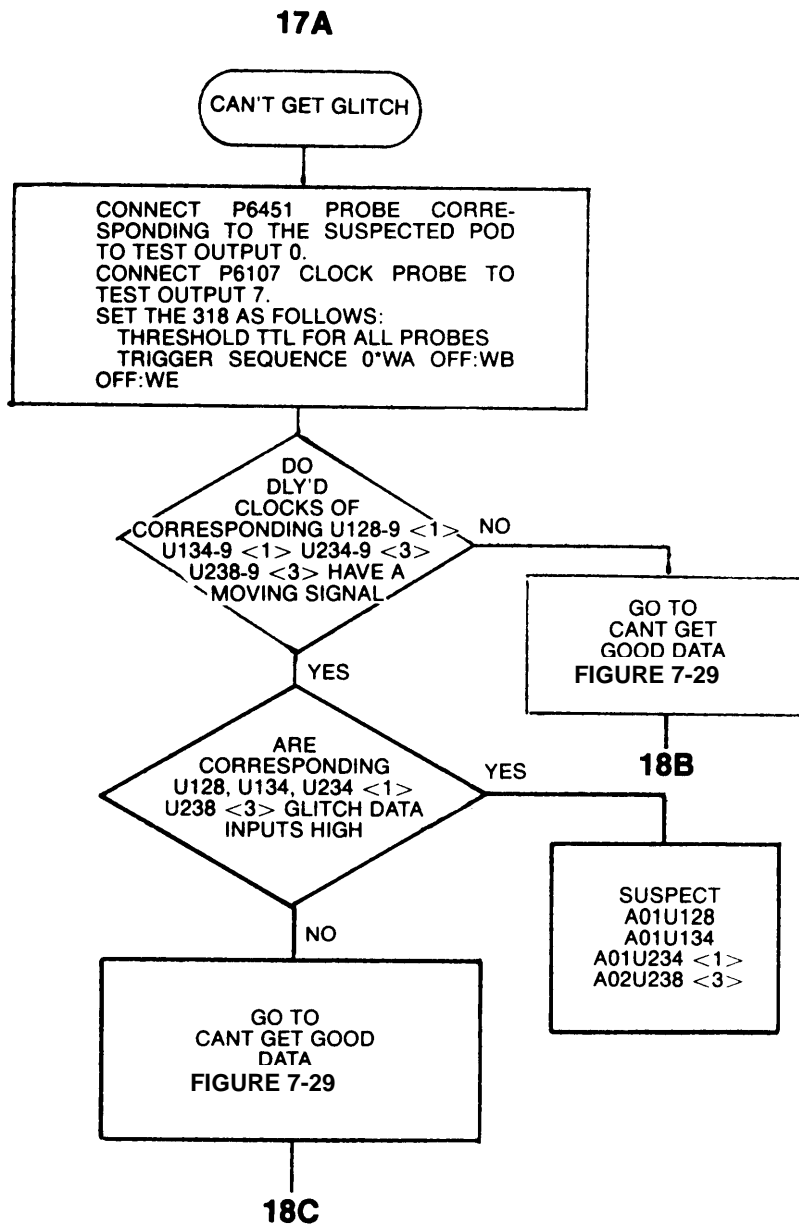


Figure 7-28. Troubleshooting Tree 17: Can't Get Glitch.

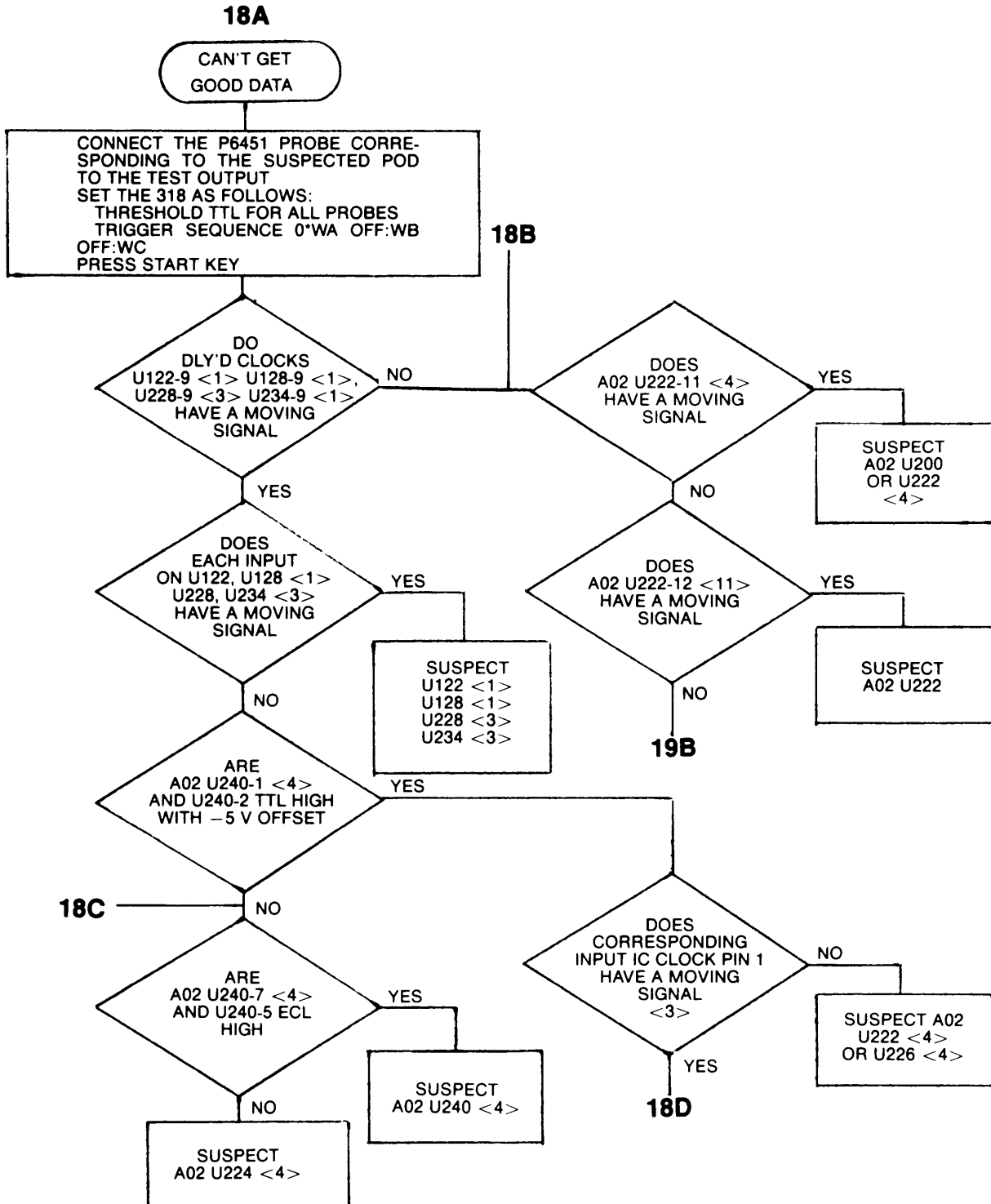


Figure 7-29. Troubleshooting Tree 18: Can't Get Good Data (Sheet 1 of 2)

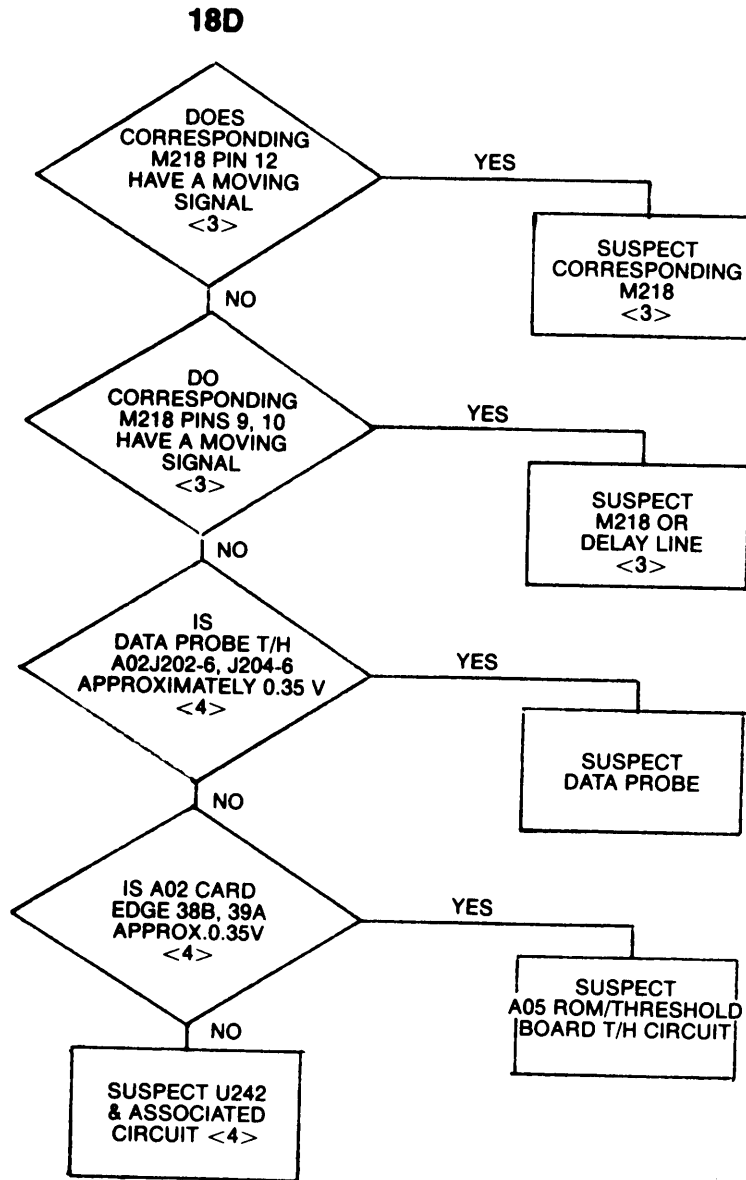


Figure 7-29. Troubleshooting Tree 18: Can't Get Good Data (Sheet 2 of 2)

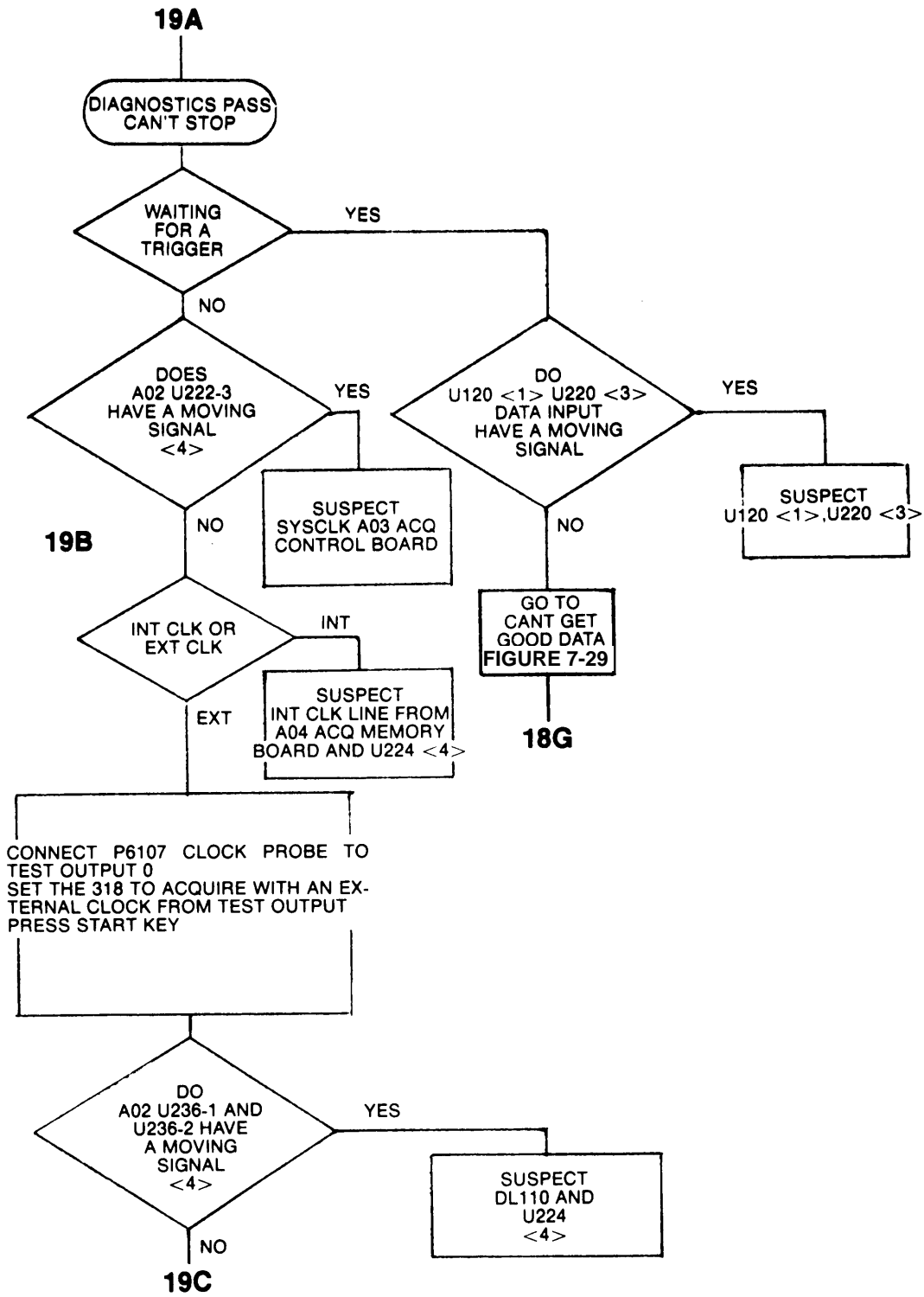


Figure 7-30. Troubleshooting Tree 19: Diagnostics Pass Can't Stop. (Sheet 1 of 2)

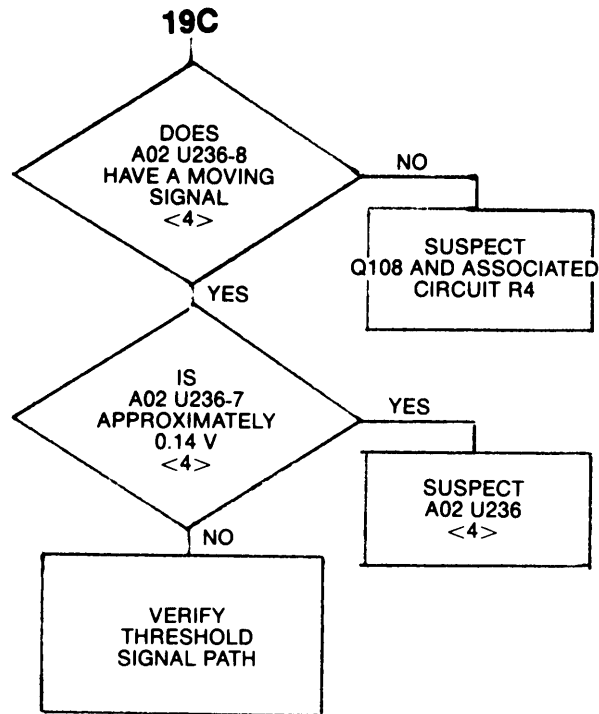


Figure 7-30. Troubleshooting Tree 19: Diagnostics Pass Can't Stop. (Sheet 2 of 2)

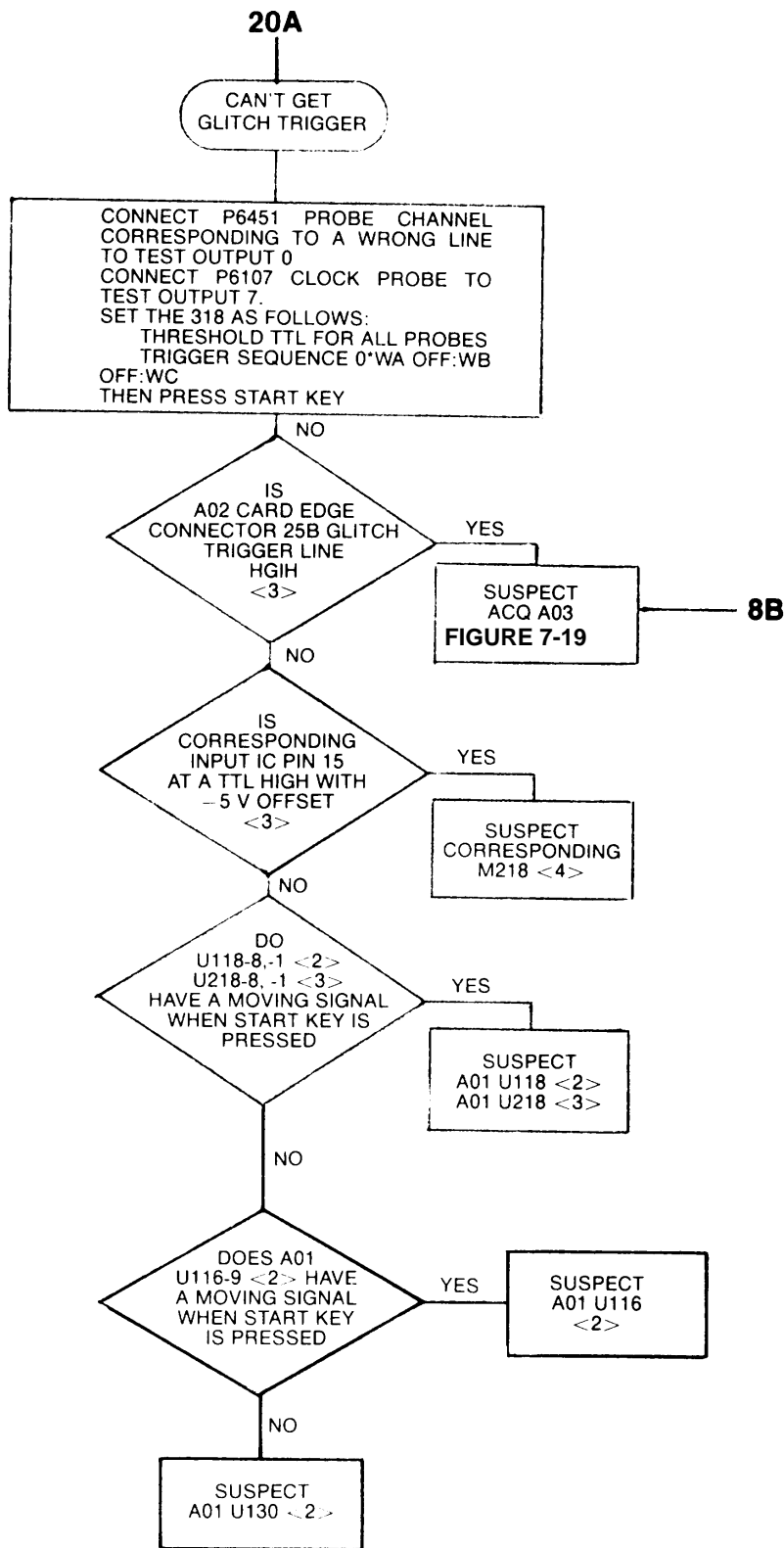


Figure 7-31. Troubleshooting Tree 20: Can't Get Glitch Trigger

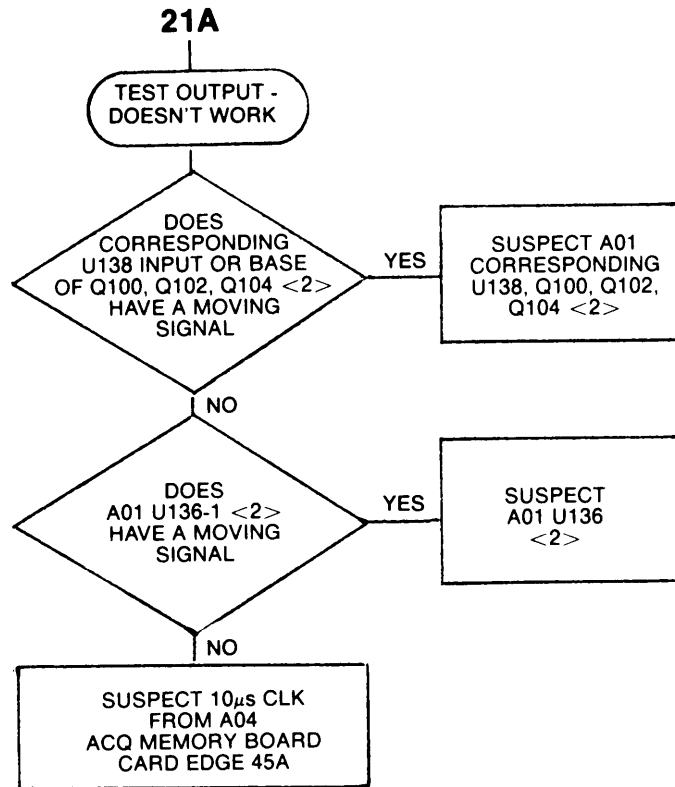


Figure 7-32. Troubleshooting Tree 21: Test Output - Doesn't Work.

338 DIAGNOSTIC TEST DESCRIPTIONS

This part of Section 7 contains information about the 338 diagnostics tests and troubleshooting trees. The diagnostic test descriptions and trees for the 318 are located in the first half of this section. Refer to the page-edge tabs for help in locating the information you need.

INDEX OF 338 DIAGNOSTIC TEST DESCRIPTIONS

Mainframe

1. Keyboard Test
2. CRT Test
3. Jump Table ROM Test
4. Display RAM Test
5. SYSTEM RAM Test
6. ROM Test

Parallel Analyzer

7. Clock Test
8. Word Recognizer Test
9. ACQ RAM Test
10. Sequence RAM Test
11. N & DELAY Counter Test
12. Threshold Test
13. SEQ Test

318S1 Serial Analysis/RS-232C/NVM

14. Battery Test
15. Non-Volatile Memory Test
16. RS-232 Test
17. Serial Test

338 DIAGNOSTIC TEST COMMON SIGNAL PATHS

Some Diagnostic Tests share a common signal path for setting up or reading data. When two or more Diagnostic tests that shares the same signal path indicate a failure, the components in the path may be the cause of the test failure.

Table 7-15 lists the components common to the signal paths that cause multiple Diagnostic Test failures.

Table 7-15
338 DIAGNOSTIC TEST COMMON SIGNAL PATHS

Clock	Threshold	WR	ACQ	SGRAM	N&DL	SEQ	Component
X	X	X	X	X	X	X	A04 U152, A04 U150 A03 U126, A03 U112 A04 U110
		X	X	X	X	X	A04 U146, A04 U142 A04 U114, A03 U112 A04 U110
X					X		A03 U156, A03 U158 A03 U112, A04 U110 A04 U148 (VBB)
X	X		X				A04 U148, A04 U144 A03 U112, A04 U110
		X		X			A03 U146, A03 U108 A03 U126, A03 U112
		X	X			X	A01U 100 to U114 A02 U202 to U216 A02 U224, A02 U240 A01 U124, A01 U126 A02 U230, A02 U232 A01 U130, A01 U132
					X	X	A03 U106, A03 U108 A03 U114, A03 U116 A03 U118, A03 U130 A03 U142
			X			X	A03 U106, A03 U108 A03 U114, A03 U116 A03 U118, A03 U130 A03 U132, A03 U142 A03 U140, A03 U156

MAINFRAME

1. KEYBOARD TEST

Program: KBD

Function:

Power on - When power is turned on, the KBD program checks the keyboard to see if any keys are stuck in the closed position. The MPU reads the resulting data at address $E0_{hex}$ and verifies that all data bits are low.

Troubleshooting - The keyboard generates an interrupt and sends a corresponding key code to the MPU when any key except the STOP key is pressed. The MPU reads the key code at $E0_{hex}$ upon receiving the interrupt from the keyboard and blinks the corresponding rectangle in the key array on the screen. This function also provides a check to see that each key (except the STOP key) is providing the correct key code to the MPU.

The STOP key is used to exit this program; thus, the STOP key can be checked at the end of this test.

Description: Refer to Figure 7-33. Key codes are generated by the A09 board when any key is pressed. The Y-lines and X-lines of the key matrix on the A09 board (excepting the STOP key) are connected to U300 and U310 (8-bit priority encoder, 4053BP) on the A06 MPU/Display board through the A08 Mother board. U310 is enabled when U300 receives a key signal and issues a \overline{INT} (Maskable Interrupt) to the MPU through the CR timer circuit. The \overline{INT} is controlled by U220 (NAND gate, TC4093) on the A06 board with KBMASKP from U100 (hex D-type flip-flop with reset, 74LS174) on the A05 ROM/Threshold board.

The STOP key on the A09 board generates the \overline{NMI} (Non-Maskable Interrupt) directly to the MPU through the A08 board without decoding, though it is buffered by U200 (inverter, TC4093) on the A06 board. This signal is also controlled by the CR timer to avoid key chattering.

The MPU reads the key code from U320 (octal buffer/line driver with tri-state output, 40H244) on the A06 board, usually on interrupt at $E0_{hex}$. KBCSP, which enables this buffer, is delivered from U092A (dual 2-line to 4-line decoder/demultiplexer) on the A05 board when the MPU accesses I/O address $E0_{hex}$.

A key code with interrupt is expected as follows:

Table 7-16
338 KEYBOARD TEST KEY CODE AND INTERRUPT ASSIGNMENT

7	6	5	4	3	2	1	0
ST	0	D5	D4	D3	D2	D1	D0

ST:1 if any key is pressed, otherwise 0.

Key Code Assignment. Blocks correspond to the key position on the front panel.

00	08	10	18	20	28
01	09	11	19	21	29
--	0A	--	1A	22	2A
03	0B	13	1B	23	2B
--	0C	--	1C	24	2C
05	--	STOP	1D	25	2D

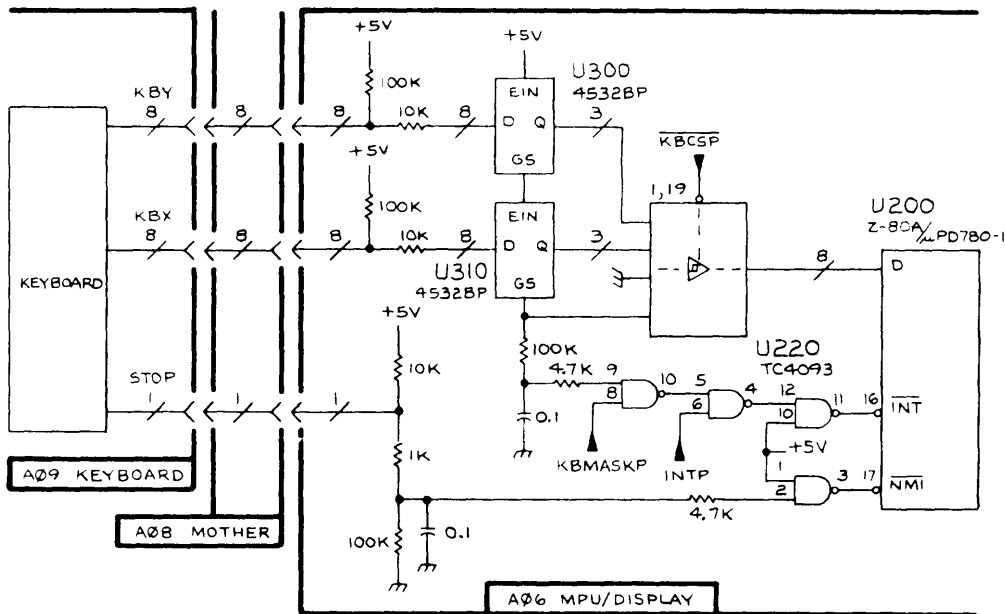


Figure 7-33. 338 Keyboard test schematic.

4434-550

2. CRT TEST

Program: CRT

Function:

Power on - None.

Troubleshooting - The CRT generates the following four kinds of patterns for the CRT adjustment and visual check.

1. Cross-hatch pattern
To adjust the CRT circuit.
2. White pattern
To check for phosphor defects.

3. All character fonts for the parallel analyzer mode. To check the CRT circuit and the Character ROM (CROM) for parallel operation.
4. All character fonts for the serial state analyzer mode. To check the CRT circuit and the CROM for serial operation.

Description: Refer to Figure 7-34. The CRT displays 32 characters by 20 lines of data from the Display RAM U515 (16 K-bit static CMOS RAM, uPD446/HM6116P) on the A06 MPU/Display board. Each character in the CRT display uses two bytes of data, consisting of one selection code followed by one character code. A total of 1280 bytes of the Display RAM are used, ranging from address E800 to ECFF.

The MPU writes these two bytes of data for each character to be displayed into the Display RAM through both U525 (octal bus transceiver, 40H245) and U500 (display controller, MB62110) on the A06 board.

The Display Controller sends the first address to the Display RAM to select the character code to be displayed, and instructs U520 (octal D type flip-flop, 40H273) on the A06 board to store the out-put data from the Display RAM. This data is supplied to the Character ROM U530 (32 K-bits mask ROM, 2332) on the A06 board to select the character font. The Display Controller receives this font code and sends the second address to the Display RAM to get a control code.

The Display Controller then issues Z, GLITCH, CHD, and VD signals to the A10 CRT board, along with these two bytes of data. These signals are buffered and/or controlled and sent to the A10 board through the A08 Mother board.

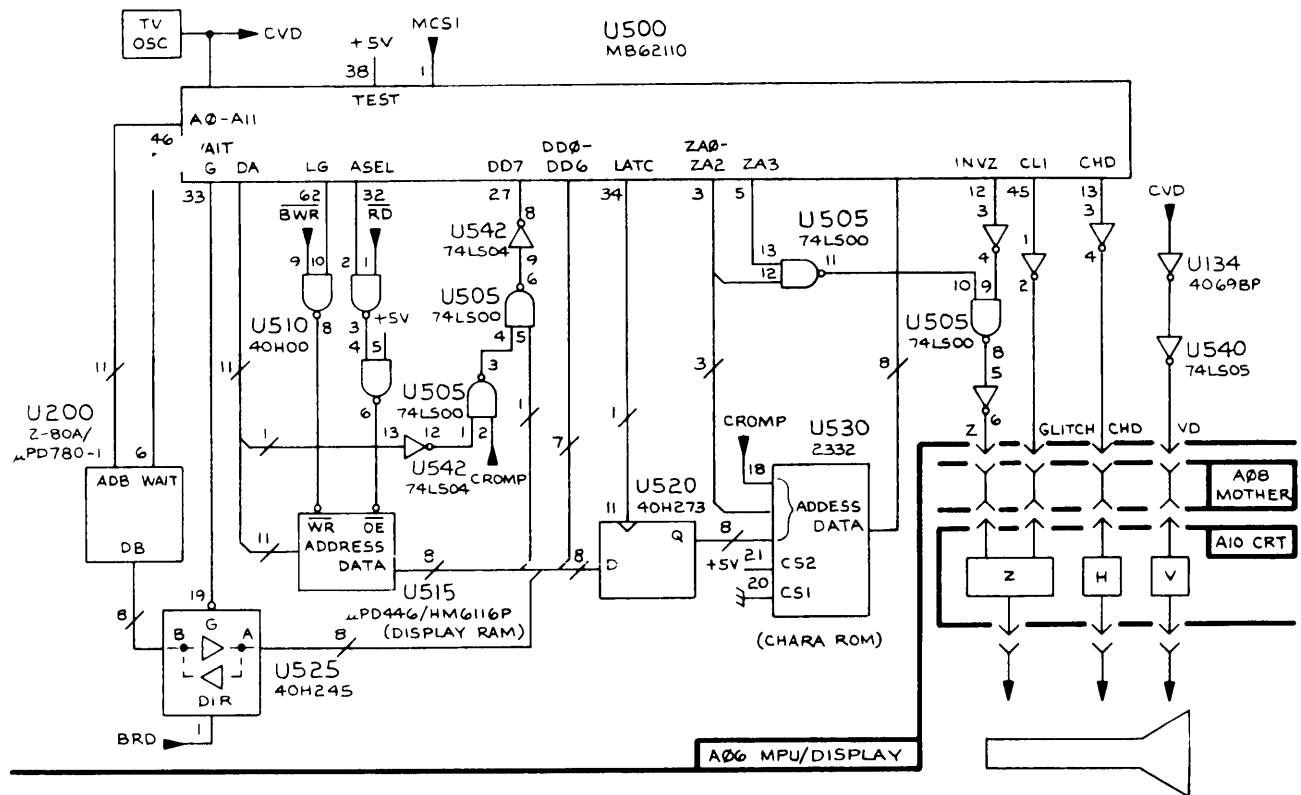


Figure 7-34. 338 CRT calibration and check schematic.

4434-556

3. JUMP TABLE ROM TEST

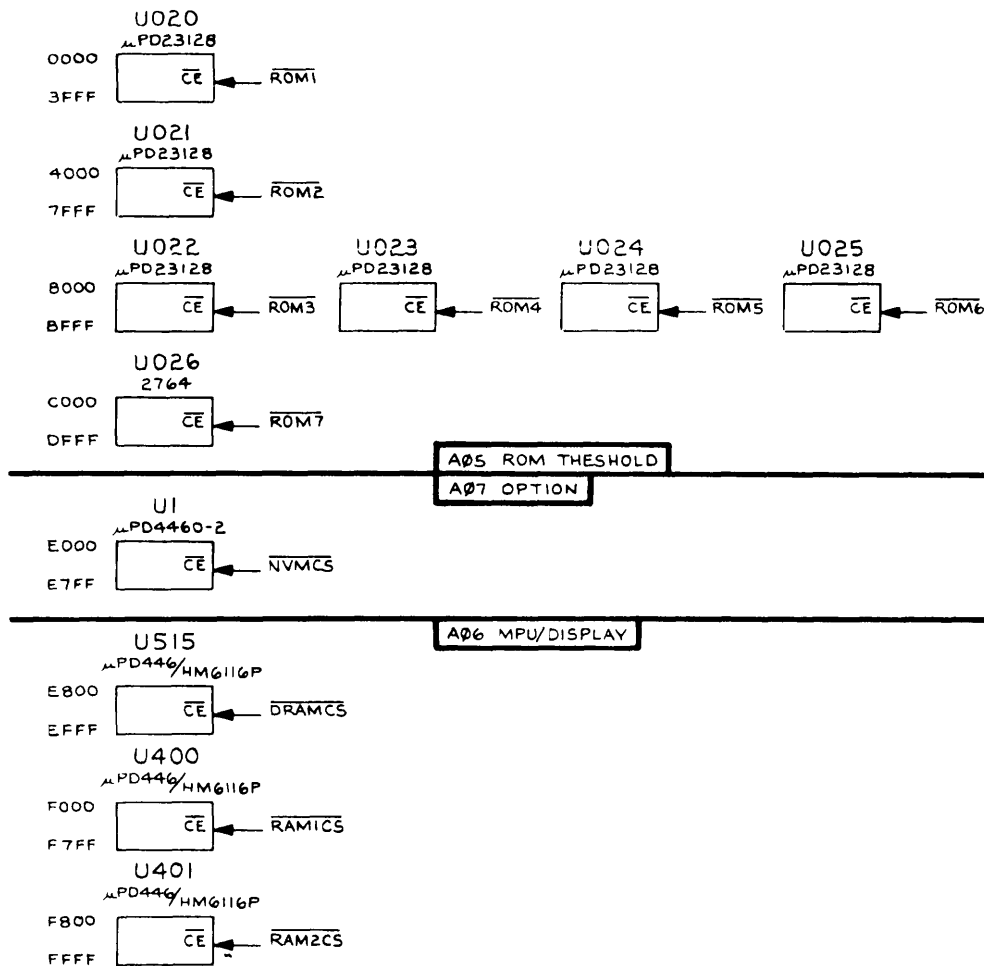
Program:

Function:

Power on - The Jump Table ROM, which contains the diagnostic test routine, is checked by calculating its checksum from C000 to DFFF.

Troubleshooting - None.

Description: The diagnostic routine is located in addresses C000 through DFFF in the Jump Table ROM, U026 (64 K-byte UV EPROM, 2764) on the A05 ROM/Threshold board.



4434-557

Figure 7-35. 338 Memory map.

The MPU addresses the Jump Table ROM on board A05 through U210 and U212 (OCTAL BUFFER/LINE RECEIVER WITH 3-STATE OUTPUT, 74LS244) on the A06 MPU/DISPLAY board via the A08 Mother board.

ROM7 enables the read operation of the Jump Table ROM. It is generated by U005 (dual 2-line to 4-line decoder/demultiplexer, 74LS139). U001 (74LS139) on the A05 board decodes the BM1, BMREQ, and AB11 through AB15 signals.

The MPU reads the output data from the Jump Table ROM U026 through U045 (octal bus transceiver with tri-state output, 74LS245) and through the A08 board.

The MPU calculates the checksum with all the data contained in the Jump Table ROM, and compares it with the expected value, also stored in this ROM. If the values do not match the MPU issues an error message.

4. DISPLAY RAM TEST

Program:

Function:

Power on The Display RAM is checked with a checkerboard marching pattern from E800 to EFFF. (A checkerboard marching pattern is an alternating 0 and 1 pattern that is loaded into a memory location, checked, shifted, and checked again.)

Step 1. The word 55 is written into all RAM addresses.

Step 2. A word is read from a diagnostic cell and compared with the expected word 55. If it is not equal to 55, an error message is displayed and the MPU is halted.

Step 3. If the previous test is successfully completed, the word AA is written into that cell. Then a word in the same cell is read back and is compared with AA. If it is not equal to AA, an error message is displayed and the MPU is halted.

Step 4. Steps 2 and 3 are repeated for all RAM addresses.

Troubleshooting - None.

Description: The read and write operation on the Display RAM U515 (16 K-bit static CMOS RAM, uPD446/HM6116P) on the A06 MPU/Display board is completely controlled by Display Controller U500 (Display Controller, MB62110) on the A06 board.

The MPU reads/writes data from/to the Display RAM through U525 (octal bus transceiver, 40H245) on the A06 board, which is enabled by the Display Controller and has the data direction specified (read or write) by the MPU's read signal. The addresses to the Display RAM are supplied by both the MPU and the Display Controller, however the addresses from the MPU are sent to the Display Controller and the Display Controller gates these signals to the Display RAM.

If there is competition between the MPU and the Display Controller for access to the Display RAM, the Display Controller forces the MPU to wait until it completes the current read operation by asserting the WAIT signal to the MPU.

The MPU checks the Display RAM with the checkerboard marching pattern. The read and write sequences have already been mentioned in the *Power on* paragraph at the beginning of this section. If the data read is incorrect, the MPU will issue an error message.

5. SYSTEM RAM TEST

Program:

Function:

Power on - System RAMs are checked with the checkerboard marching pattern from addresses F000 through F7FF and from F800 through FFFF.

Step 1. The word 55 is written into all RAM addresses.

Step 2. A word is read from a selected diagnostic cell and checked against the expected word 55.

If it is not equal to the word 55, an error message is displayed and the MPU is halted.

Step 3. If the first test is successfully completed, the word AA is written into that cell. Then the word in the same cell is read back and compared with AA. If it is not equal to AA, an error message is displayed and the MPU is halted.

Step 4. Steps 2 and 3 are repeated for all RAM addresses.

Troubleshooting - None.

Description: RAMs U400 (F000-F7FF) and U401 (F800-FFFF) on the A06 MPU/Display board used by the MPU are called System RAMs. The MPU data bus (D0-D7) and the partial MPU Address Bus (A0-A10) are directly connected to these RAMs.

The chip-select signals, $\overline{\text{RAM1CS}}$ and $\overline{\text{RAM2CS}}$ are generated by U005 (dual 2-line to 4-line decoder/multiplexer, 74LS139) on the A05 ROM/Threshold board. These signals are sent to the System RAMs through the A08 Mother board.

The MPU checks these System RAMs with the checkerboard marching pattern. The read and write sequences have already been mentioned in the preceding *Power on* paragraph. If the data read is incorrect, the MPU will issue an error message.

6. ROM TEST

Program:

Function:

Power on - ROM1 through ROM6 are checked by individually calculating their checksums.

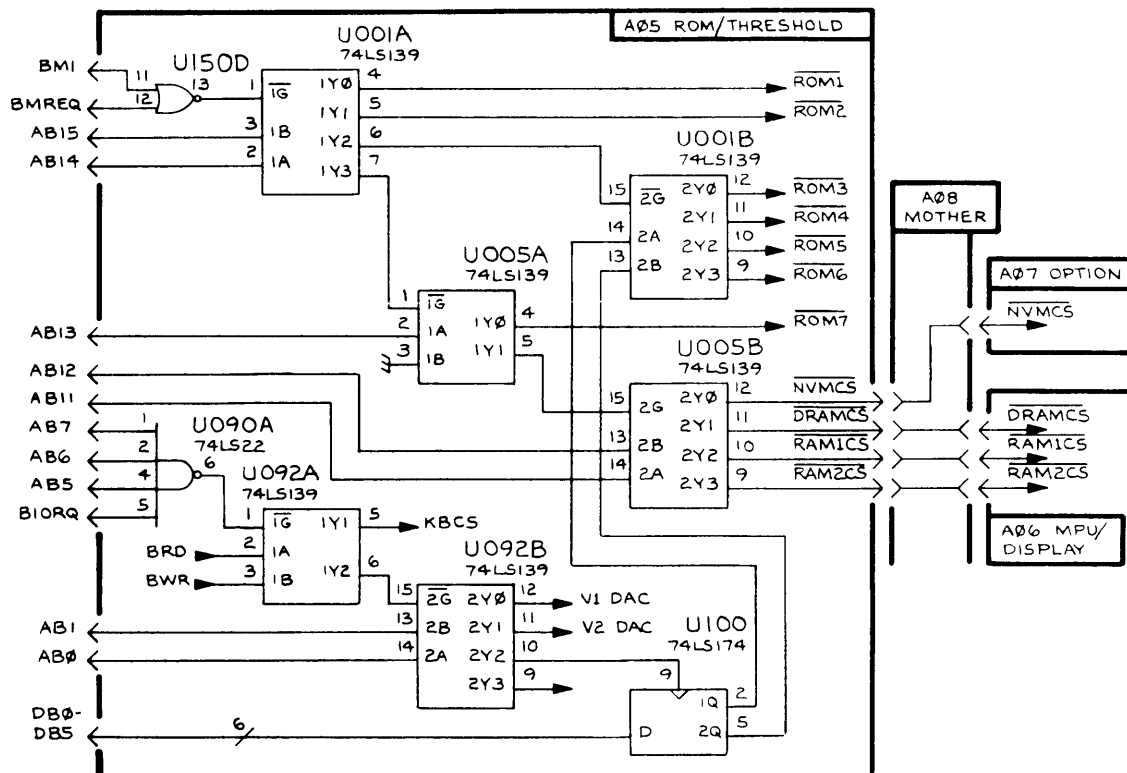
Troubleshooting - None.

Description: Refer to Figures 7-36 and 7-37. All the ROMs (ROM1 through ROM7) are located on the A05 ROM/Threshold board.

Table 7-17
338 ROM TEST ADDRESS ASSIGNMENT

ROM	U#	Address	Enabled by
ROM1	U020	0000-3FFF	/ROM1
ROM2	U021	4000-7FFF	/ROM2
ROM3	U022	8000-BFFF	/ROM3
ROM4	U023	8000-BFFF	/ROM4
ROM5	U024	8000-BFFF	/ROM5
ROM6	U025	8000-BFFF	/ROM6

The chip-select signals for ROM1 and ROM2 are decoded by U001 (dual 2-line to 4-line decoder/demultiplexer, 74LS139) on the A05 ROM/Threshold board. All the other chip select signals are doubly decoded. ROM3, ROM4, ROM5, and ROM6 are decoded by U001 B (74LS139) which is enabled by U001A (74LS 139) on the A05 board. These ROMs are also selected by two data bits from U100 (74LS174) on the A05 board in order to constitute four pages of ROMs.

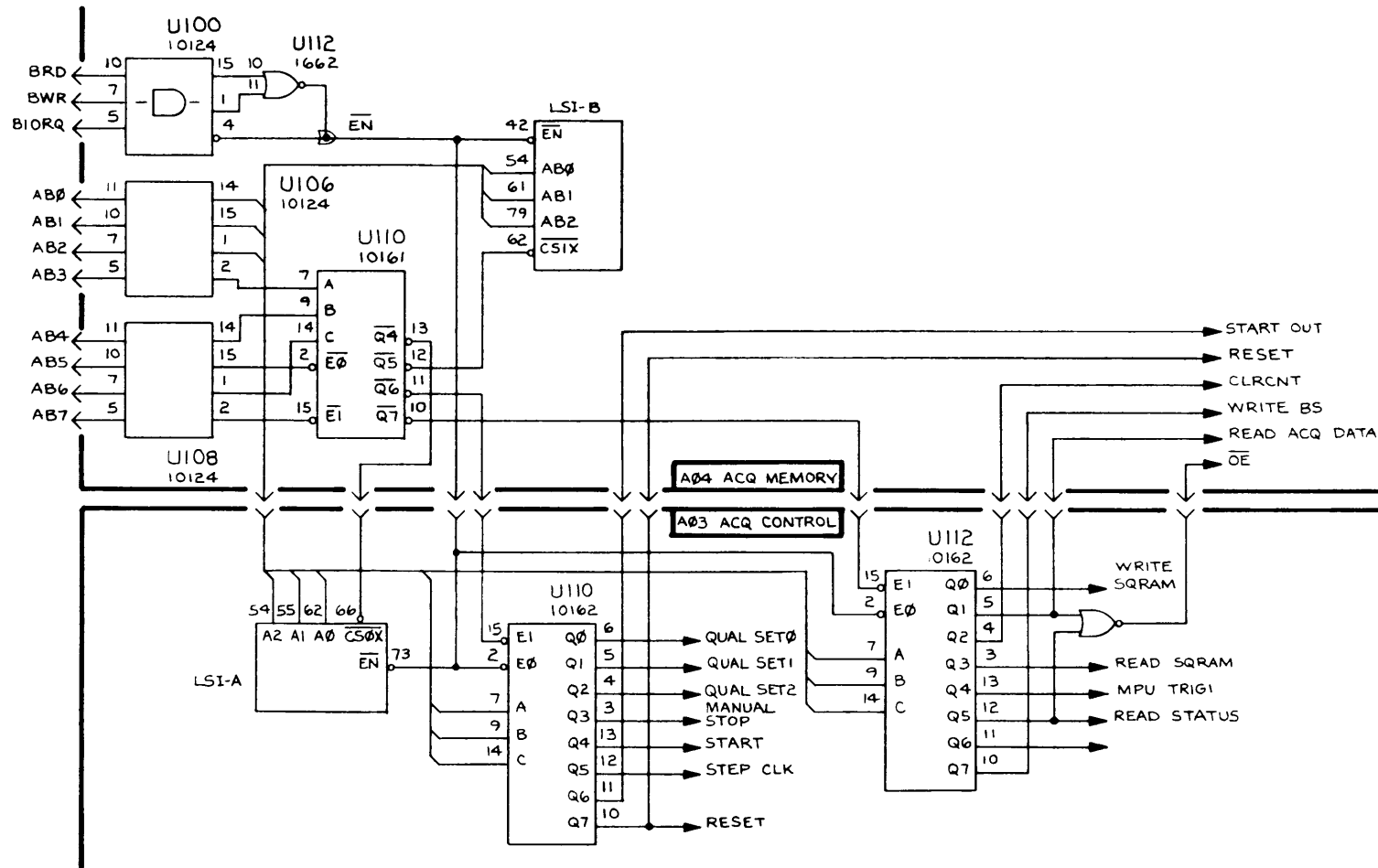


4434-562

Figure 7-36. 338 MPU memory address assignment.

The MPU reads data from these ROMs through U045 (octal bus transceiver with tri-state output, 74LS245) on the A05 board and through the A08 Mother board. The MPU addresses are sent to these ROMs and the decoders (74LS139) on the A05 board via U210 and U212 (octal buffer/line driver with tri-state output, 74LS 244) on the A06 MPU/Display board and through the A08 board. The MPU control signals are also provided through U214 (octal buffer/line driver with tri-state output, 74LS240) on the A06 board and through the A08 board.

The MPU calculates the checksum for each ROM and determines whether it is correct or not. If it is incorrect, an error message will be displayed.



4434-574

Figure 7-37. 338 A03 and A04 partial ACQ address assignment.

PARALLEL ANALYZER

7. CLOCK TEST

Program: CLK

Function:

Power on - The timebase is programmed for several ranges; its operation is checked by the MPU, which monitors the slow clock flag on each timer interrupt.

Troubleshooting - This is not a verification test, but the user should observe the timebase with an oscilloscope or some similar instrument. ALL (all programmable timebases) or SINGLE (one particular timebase) can be selected from the menu for this test.

If ALL is selected, each of the possible timebase values is sequentially set up into the timebase and tested for approximately 5 seconds, and then the next timebase value is loaded. This test will run continuously until the STOP key is pressed. The CRT screen will display the timebase range being set up. If SINGLE is selected, the user enters the range to be observed using the keyboard and then presses the START key. In this case, nothing will appear on the screen.

The following programmable time base ranges are available:

20 ns, 50 ns, 100 ns, 200 ns, 500 ns, 1 μ s, 100 us, 1 ms, 10 ms, 1 s

Description: Refer to Figure 7-38. The Slow Clock Detector compares the SYSCLK signal coming into this detector with the gate clock internally selected. As long as the SYSCLK is two or more times as fast as the gate clock the slow clock flag is not set. If the SYSCLK is less than twice as fast as the gate clock the slow clock flag is set.

This program also checks the clock path using the Slow Clock Detector.

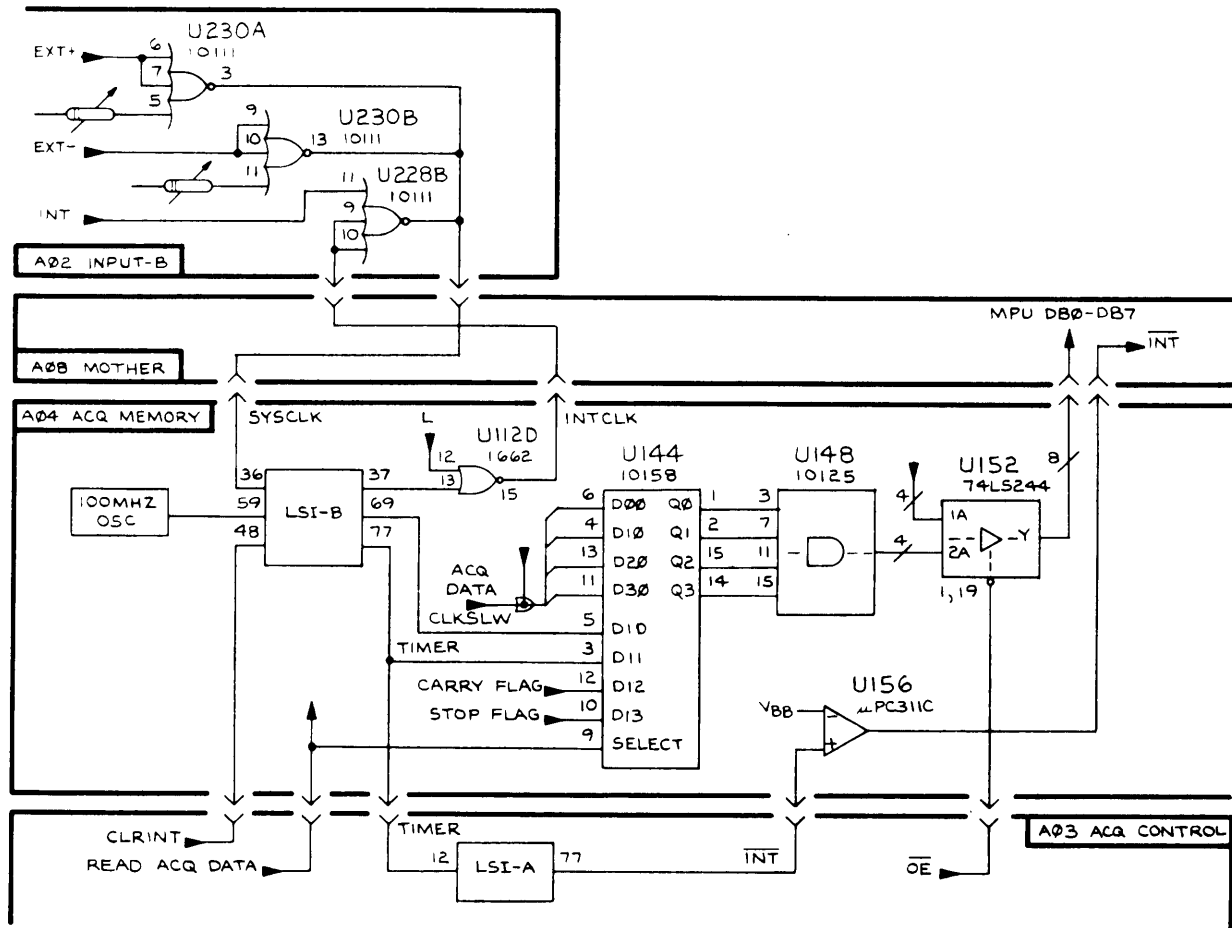
The MPU selects the internal CLK by writing 11110_{binary} into shift register U224 (hex D master-slave flip-flop, 10176) on the A02 INPUT-B board at I/O address 01_{hex} . This shift register enables U222B (dual 3-input 3-output NOR gate, 10211) on the A02 board which transmits the INTCLK signal.

The Slow Clock Detector, the Timer, and their associated circuits are located in U140 (timebase, APB3Z1 99R) on the A04 ACQ Memory board. The Timer is programmed to generate an interrupt to the MPU every 100 mS. The MPU then unmask the Timer Interrupt and sets the gate clock and the SYSCLK interval as shown in Table 7-18.

The INTCLK signal is generated by the timebase circuit, U140, which counts 10 ns clock pulses to produce a range of time base signals ranging from 20 ns through 500 ms. The INTCLK signal is buffered by U112 (quad 2-input NOR gate, MC1662) on the A04 board. This signal is sent to U222 on the A02 board through the A08 Mother board. The output of U222 is returned to the SYSCLK in-pout of U140 on the A04 board via the A08 board.

U158 (event/delay counter, μ PD3Z198R) on the A03 ACQ Control board generates the interrupt to the MPU when it receives the Timer signal from U140 on the A04 board. This interrupt is sent to the MPU as INT via U156 (comparator with open collector output, #PD31 1 C) and via the A08 board.

The MPU reads the status by issuing READ STATUS at I/O address $5D_{hex}$ through U152 (octal buffer/line driver with tri-state output, 74LS244). U 152 is enabled by \overline{OE} from U 126 (quad 2-input NOR



4434-563

Figure 7-38. 338 Clock test.

gate, 10102). The status from U140 is selected by U144 (quad 2-input multiplexer, 10158) on the A04 board and is converted from ECL to TTL level. Then it is fed to U152 on the A04 board for the MPU. The MPU compares the slow clock flag with the expected value (see Table 7-18), and displays an error message if it does not match.

Program ranges are shown in Table 7-18.

Table 7-18
338 CLOCK TEST PROGRAM RANGES

Gate Clock	SYSCLK	SLOW CLOCK flag
1mS	20nS	reset
	50nS	reset
	100uS	reset
	1mS	set
	200uS	reset
	2mS	set
	50uS	reset
	5mS	set
	10Ms	500uS
10mS		set

8. WORD RECOGNIZER TEST

Program: WR

Function:

Power on - The word recognition (WR) RAMs are checked with the checkerboard marching pattern from 00 through FF.

Step 1. The word 15 is written into all RAM addresses.

Step 2. A word is read from a diagnostic cell and compared with the expected word 15.

If it is not equal to 15, an error message is displayed and the MPU is halted.

Step 3. If the first test is successful, the word 2A is written into that cell. Then the word is read back out of the cell and its value is compared with 2A. If it is not equal to 2A, an error message is displayed and the MPU is halted.

Step 4. Steps 2 and 3 are repeated for all RAM addresses.

Troubleshooting - This test is the same as that automatically run when the power is first turned on, but here the looping test feature is available. The looping test has four options: OFF, I/O, ERROR, and TEST. When the field is set to I/O, the looping feature allows only I/O instructions to be run repeatedly. The I/O address will appear on the screen. When the field is set to ERROR, the looping feature allows the tests in which an error is detected to be run repeatedly. When the field is set to

TEST, the looping feature allows one test, or sequence of tests, to be run continuously. When the field is set to OFF, the looping feature is not available and one test, or sequence of tests, will run once.

In the I/O looping test, only one or more OUT instructions (subroutines) including one of the addresses listed in Table 7-19 will be run. Unless STOP is pressed, this test will loop continuously without displaying the result of the verification. Use an oscilloscope to observe the word recognizers.

Table 7-19
338 WORD RECOGNIZER TEST PORT ADDRESSES (Hex)

Address	Content of Looping Test
03	increment WR-address counter for WRO test.
5B	write WRO data 55 into data latch.
5B	write WRO data AA into data latch.
03	increment WR-address counter for WR1 test.
5B	write WR1 data 55 into data latch.
5B	write WR1 data AA into data latch.

The ERROR looping feature is available only if errors are detected. If no errors are detected, the test will perform as if the LOOP field were set to OFF. If some errors are detected, the ERROR looping function is available for the read cycle of the test, and the result of this verification will appear on the screen. Refer to *Appendix B* in this manual for a description of error codes.

Description: Refer to Figure 7-39. On the A01 INPUT-A board, data from channels 8 through 31 are latched by U100 through U1 10 (4-bit binary conter, F10016), and are then supplied to the word recognizers (WR) U118, U120 and U122 (256 word X 4-bit RAM, HM10422) eight channels at a time for trigger detection. U100 through U110 are used as both latches to acquire data, and as WR counters to set up the WRs.

On the A02 INPUT-B board, data from channels 0 through 7 (Pod-A) is latched by M218s U200 through U214 (logic analyzer INPUT, M218). The same data is also supplied to WR U128 (HM10422), and these output lines are wired together, respectively, with U220 and U222 (F10016) and are used as a WR counter to set up the WR.

During acquisition, U100 through U1 10 on the A01 board are clocked to latch data coming from the parallel data probes. PE (Parallel Load Enable) is forced high by U228A (quad 2-input NOR gate, 10102) on the A02 board. This control signal is delivered from U234 (hex D master-slave flip-flop, 10176) on the A02 board when the MPU writes $XX1XXX_{binary}$ serially to I/O address 03_{hex} .

The outputs of U220 and U222 on the A02 board are held low by MR (Master Reset) from U114 (quad TTL-to-ECL translator, 10124), which is generated by U1 12 (3-line to 8-line decoder/demultiplexer, 74LS138) on the A01 board when the MPU writes any data to I/O address 02_{hex} .

During WR setup, all eight F10016s are set to count enable for the counting operation by U234 (10176) on the A02 board. The output, $XX0XXX_{binary}$, is written serially by the MPU to I/O address 03_{hex} . The enable bit is also converted to TTL swing and then shifted to -5V by U232 (dual comparator, uPC393C) on the A02 board to set the M218's output to off.

With the above operation, all F10016s can address the WRs. They are incrementally clocked by SYSClk from U228B (high-speed dual 3-input 3-output NOR gate). The word written into the WR U118 on the A01 board and the WR U218 on the A02 board is provided with EDB0, EDB1, and EDB2. The word written to WR U120 and U122 on the A01 board is provided with EDB3, EDB4, and EDB5. These signals are all delivered from the A04 ACQ Memory board after being translated from TTL-level to ECL-level.

The write pulse to the WR U118 and U120 is generated by U1 12 (74LS138) and converted to ECL- level by U1114 (10124) at the time the MPU writes at I/O address 01_{hex}. The I/O address to generate the write pulse for the U218 and U122 is 00_{hex}. Thus two of the four WRs are written at once; U118 and U120, or U218 and U122.

Each output of these four WRs are wired together on the A08 Mother board, and are sent to U136 and U 138 (dual type D master-slave flip-flop, 10231) on the A03 ACQ Control board for triggering. In addition to that, these signals are routed to U146 (quad 2-input multiplexer/latch, 10173) on the A03 board. The data to U146 (10173) are latched by $\overline{\text{READ SGRAM}}$ from U112 (binary to 1-8 line decoder, 10162) through inverter U126 (quad 2-input NOR gate, 10102), after being selected by LDSGRAM from U108 (hex D master-slave flip-flop, 10176) on the A03 board. LDSGRAM is set when the MPU writes X1XXXX_{binary} at I/O address 51_{hex}, and $\overline{\text{READ SGRAM}}$ is generated by the MPU's access to I/O address 5B_{hex}.

The four outputs of U146 (10173) are connected to U142 (quad 2-input multiplexer, 10158) on the A04 board with the outputs of the ACQ Memories U116 through U130 (HM10422) on the A04 board. Thus, all the ACQ Memories are set to off by forcing BS high. This is done by writing 1F_{hex} into U114 (hex D master-slave flip-flop, 10176) on the A04 board using the WRITE BS signal from U112 (10162) on the A03 board.

The MPU reads the data from U152 (octal buffer/line driver with tri-state output, 74LS244) on the A04 board when enabled by $\overline{\text{OE}}$ from U112 (10162) via U126 (10102) on the A03 board. The data fed to U152 (74LS244) are selected by U142 (10158) on the A04 board with $\overline{\text{READ SGRAM}}$ from U1 12 (10162) on the A03 board at I/O address 59_{hex}, and are translated from ECL-to-TTL by U146 (quad ECL-to-TTL translator, 10125) on the A04 board.

The MPU follows Steps 1 through 4 of the I/O operation described in the preceding *Power On* paragraph, and compares the data with the expected value on each I/O read. If the data is incorrect, the MPU will issue an error message.

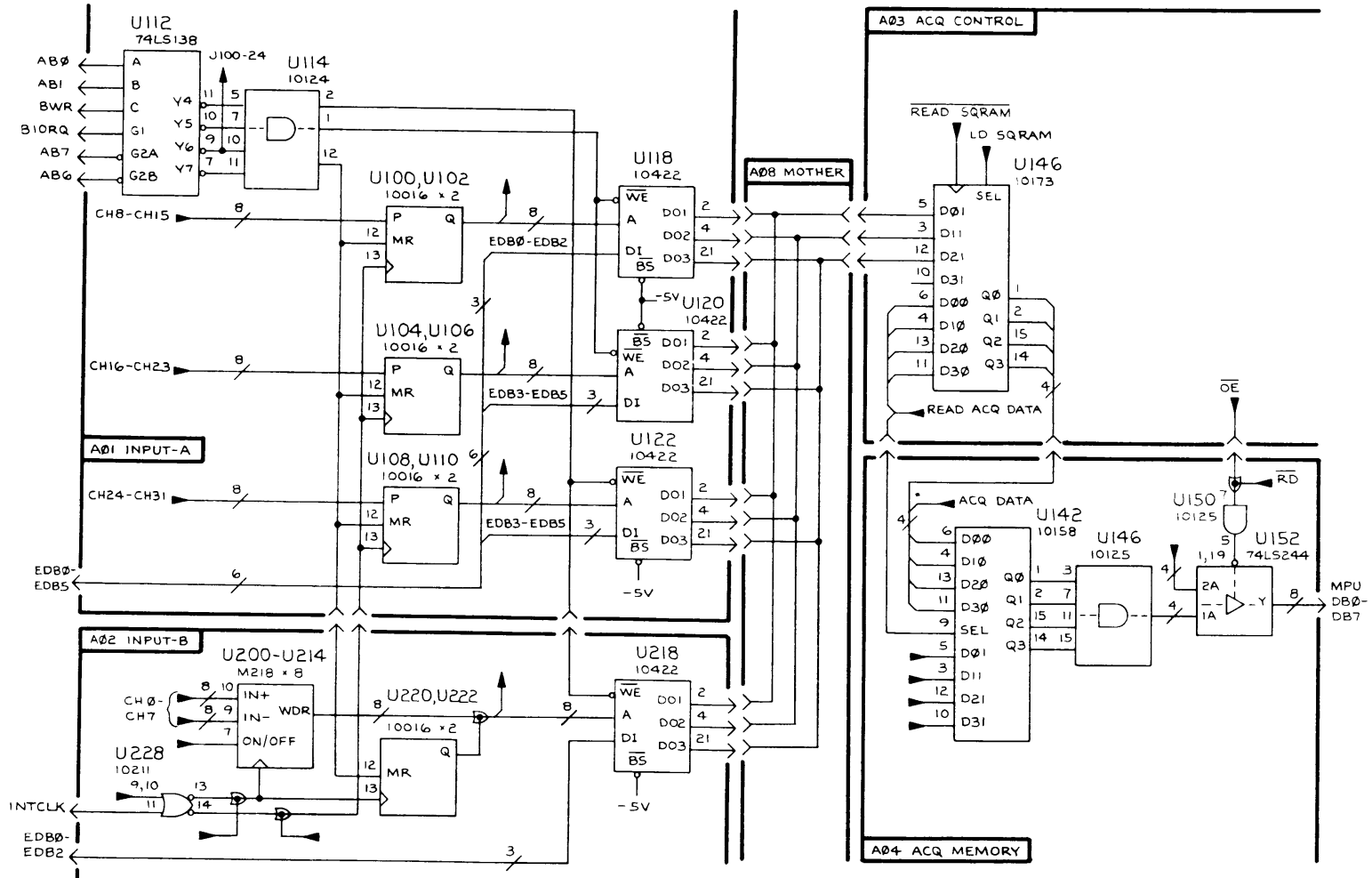


Figure 7-39. 338 Word recognizer test.

9. ACQ RAM TEST

Program : ACQ

Function:

Power on - All the ACQ RAMs are checked with the checkerboard marching pattern from 00 through FF.

Step 1. The word 55 is written into all RAM addresses.

Step 2. A word is read from a diagnostic cell and compared with the expected word 55. If the diagnostic cell's value is not equal to 55, an error message is displayed and the MPU is halted.

Step 3. If no error is found in the above test, the word AA is written into that cell. Then a word in same cell is read back and is compared with AA. If that word is not equal to AA, an error message is displayed and the MPU is halted.

Step 4. Steps 2 and 3 are repeated for all RAM addresses.

Troubleshooting - This test is the same as that performed automatically when the power is turned on, but here the looping feature is available. The looping feature has four options; OFF, I/O, ERROR, and TEST. When the LOOP field is set to I/O, the looping feature allows only I/O instructions to be run repeatedly. The I/O address will appear on the screen. When the field is set to ERROR, the looping feature allows the tests in which an error is detected to be run repeatedly. When the field is set to TEST, the looping feature allows one test, or sequence of tests, to be run continuously. When the field is set to OFF, the looping feature is not available and one test, or sequence of tests, will run once.

When the I/O looping function is selected, only those OUT instructions (subroutines) including one of the addresses listed in Table 7-20 will run. Unless the STOP key is pressed, the selected portions of the test will loop continuously without displaying the result of the verification. In this case, use an oscilloscope to observe the acquisition circuit board.

Table 7-20
338 ACQ TEST PORT ADDRESSES (Hex)

Address	Content of Looping Test
02	reset WR-address counter to count up WR-address counter to 55 to write 55 into the background of high-speed memory.
5A	write CS0 & CS1, CS2, CS3 into CS-latch to read 55 from high-speed memory.
55	write AA into high-speed memory after reading 55 from high-speed memory.
5A	write CS0 & CS1, CS2, CS3 into CS-latch to read AA from high-speed memory.
55	write 55 into high-speed memory after reading AA from high-speed memory.

When ERROR is selected in the looping test field, looping is available only if errors are detected. If no errors are detected, the test runs to completion just as if the looping function had been set to OFF. If errors are detected, the ERROR looping feature is available for the read cycle of the test, and the result of the verification will appear on the screen. Refer to *Appendix B* of this manual for an explanation of error codes.

Description: Refer to Figure 7-40. The test data for ACQ Memories U1 16 through U130 (256 word X 4-bit RAM, HM10422) on the A04 ACQ Memory board are generated by U220 and U222 (4-bit binary counter, F10016) on the A02 Input-B board, and U100 through U110 (F10016) on the A01 In-put-A board. No acquired data is used. The operation for generating pseudo data is the same as that used in the WR Test.

The addresses for the ACQ Memories are pointed at by U136 and U138 (4-bit binary counter, F10016) on the A04 board. These counters are set to count enable by U156 (quad 2-input NOR gate, 10102) on the A03 ACQ Control board, and are reset by RESET from U112 (10162) on the A03 board.

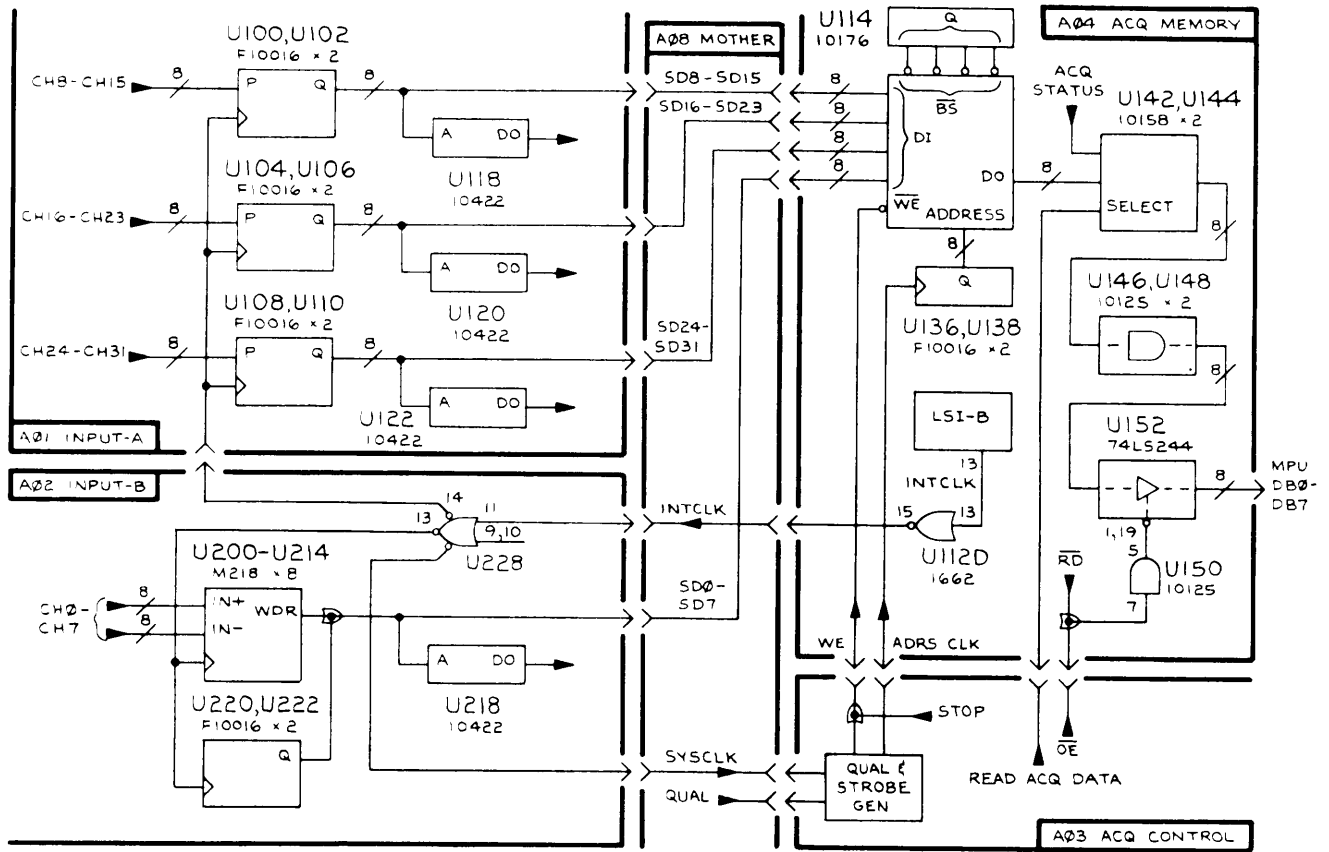
At least one pair of the ACQ Memories can be enabled by U114 (hex D master-slave flip-flop, 10176) on the A04 board when the MPU writes data to it at I/O address $5A_{hex}$ using WRITE BS from U112 (10162) on the A03 board.

The flip-flop U148A <7> (dual D master-slave flip-flop, 10231) sets the STOP condition, and is reset by RESET from U110 (10162) on the A03 board. It also frees the \overline{WE} line. START2, also from U110 (10162), enables the strobe generator circuit by setting the flip-flop U124B (dual D master-slave flip-flop, 10131) on the A03 board.

After the above setup is complete, the MPU selects the internal CLK and sets the timebase U140 (timebase, μ PB3Z1 99R) on the A04 board to generate a single clock pulse when the MPU writes to I/O address $4A_{hex}$. The MPU then unmask the carry interrupt from both U136 and U138 (F10016) on the A04 board.

The MPU starts the test according to Steps 1 to 4 already mentioned in the preceding Power on paragraph in this section.

Writing at I/O address $4A_{hex}$ generates the internal clock from U140 (μ PB3Z199R) on the A04 board. This clock is buffered by U112D (quad 2-input NOR gate, MC1662) and is sent to U228 (dual



4434-568

Figure 7-40. 338 ACQ memory test.

3-input/3-output NOR gate, 10211) on the A02 board. This clock is returned to the strobe generator circuit on the A03 board.

The Strobe Generator on the A03 board delivers \overline{WE} and ADRS CLK to the A04 board when the clock qualifier is set to off.

During the read phase, the MPU gets data from U152 (octal buffer/line driver with 3-state output, 74LS 244) by issuing READ ACQ DATA at I/O address 59_{hex} . The READ ACQ DATA signal switches the inputs of U142 and U144 (quad 2-input multiplexer, 10158) on the A04 board to the output of the ACQ Memories.

Some ACQ Memories outputs are wired together with the outputs of U146 (quad 2-input multiplexer/latch, 10173) on the A03 board or with Threshold TEST from U252B (quad 2-input NOR gate, 10102) on the A02 board, via the A08 Mother board. These signals should be kept low in order to read the correct data from the ACQ Memories. To write 0's into U146 (10173) on the A03 board, the MPU loads 00 into SGRAM U144 (256 word X 4-bit RAM, HM10422) on the A03 board, then changes the inputs of U146 (10173) to the SGRAM output and issues READ SGRAM. The output of U252B (10102) on the A02 board can be disabled by writing $X1XXXX_{binary}$ serially into U234 (hex D master-slave flip-flop, 10176) on the A02 board at I/O address 03_{hex} .

10. SGRAM Test

Program: SGRAM

Function:

Power on - The SGRAM is checked with the checkerboard marching pattern from 00 through FF.

Step 1. The word 55 is written into all RAM addresses.

Step 2. A word is read from a diagnostic cell and compared with the expected word 55. If the selected word is not equal to 55, an error message is displayed and the MPU is halted.

Step 3. The word AA is written into that cell. Then a word in same cell is read back and is compared with AA. If it is not equal to AA, an error message is displayed and the MPU is halted.

Step 4. Steps 2 and 3 are repeated for all RAM addresses.

Troubleshooting - This test is the same as that automatically run when the power is first turned on, but here the looping feature is available. The looping feature has four options; OFF, I/O, ERROR, and TEST. When the LOOP field is set to I/O, the looping feature allows only I/O instructions to be run repeatedly. The I/O address will appear on the screen. When the field is set to ERROR, the looping feature allows the tests in which an error is detected to be run repeatedly. When the field is set to TEST, the looping feature allows one test, or sequence of tests, to be run continuously. When the field is set to OFF, the looping feature is not available and one test, or sequence of tests, will run once.

When I/O looping is selected, only those OUT instructions (subroutines) included one of the addresses listed in Table 7-21 will run. Unless the STOP key is pressed, the program will continue looping continuously without displaying the result of the verification. In this case, the user should observe the ACQ. circuit board with an oscilloscope.

*Table 7-21
338 SGRAM TEST PORT ADDRESSES (Hex)*

Address	Content of Looping Test
5A	set CS all OFF into CS-latch to write 55 in the background of the SGRAM.
50	set 1 into QUAL (D0 & D2) register and set 0 into QUAL (D1 & D3) register.
58	write 55 into the background of the SGRAM.
5B	SGRAM data is latched to read 55 from high-speed memory.
58	write AA into SGRAM after reading 55 from high-speed memory.
5B	SGRAM data is latched to read AA from high-speed memory.

When the ERROR looping function is selected, the program loops only if errors are detected. If no errors are detected the program runs once and displays the result of the verification just as if the looping function were turned OFF. If errors are detected, the ERROR looping function is available for the read cycle of the test. The results of the read cycle verification will appear on the screen. Refer to the *Appendix B* in this manual for an explanation of error codes.

The data read is checked by the MPU and an error message is displayed if it is incorrect.

The MPU also checks the interrupt from the carry flip-flop U139A on the A04 board. The carry is set when U136 and U138 (F10016) on the A04 board both issue a carry bit at the same time.

Description: Refer to Figure 7-41. The SQRAM U144 (256 word X 4-bit RAM, HM10422) on the A03 ACQ Control board holds the trigger sequence table named Trigger menu.

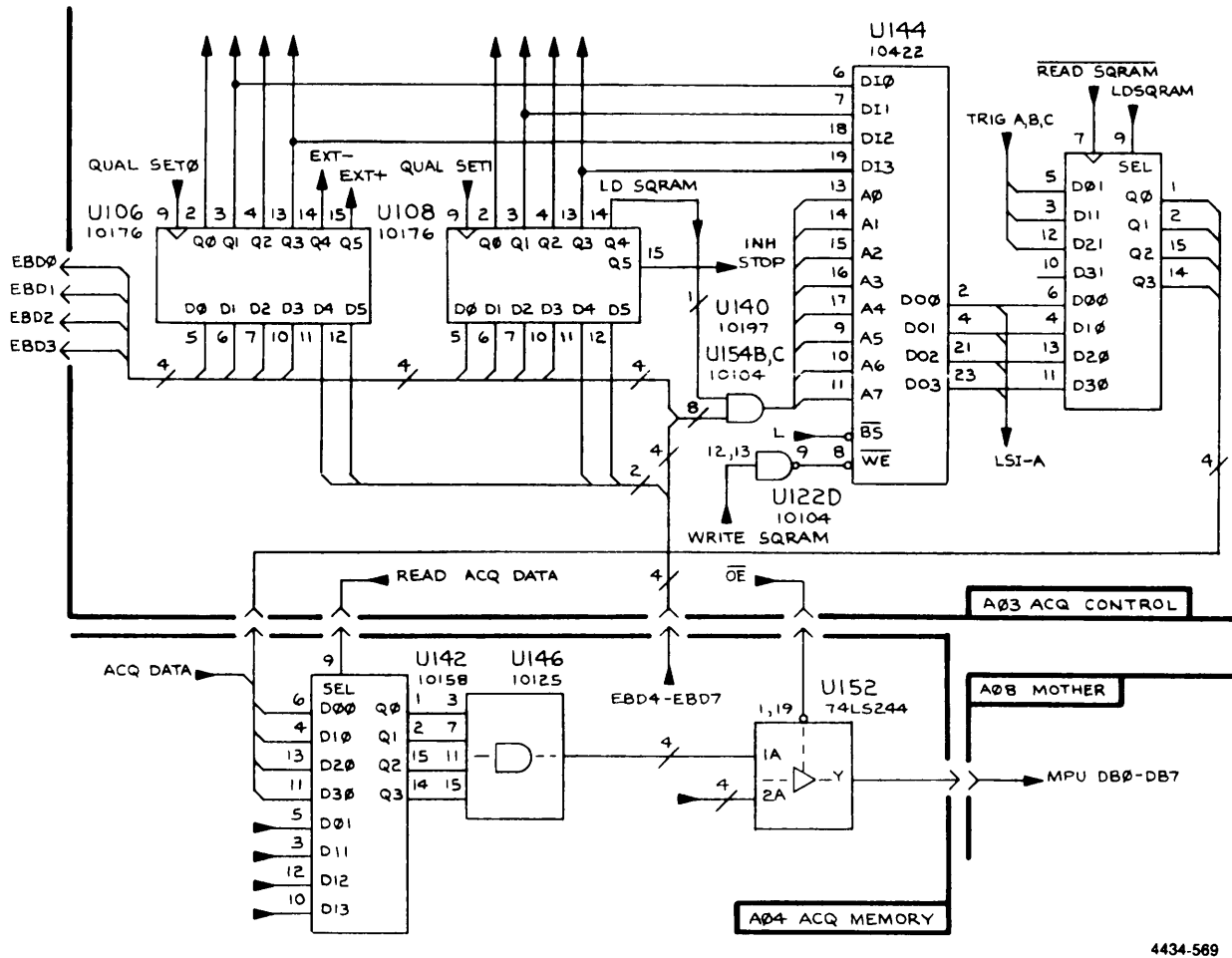


Figure 7-41. 338 SQRAM test.

The SQRAM receives data from U106 and U108 (hex D master-slave flip-flop, 10176) on the A03 board with the following connection.

Table 7-22
338 SGRAM TEST SGRAM DATA CONNECTIONS

SGRAM U144	Setup	
	Latch	MPU Data
D10 (pin 6)	U106 Q1 (pin 3)	D0
D11 (pin 7)	U106 Q3 (pin 13)	D1
D12 (pin 18)	U108 Q1 (pin 3)	D2
D13 (pin 19)	U108 Q3 (pin 13)	D3

To provide the data to the SGRAM, the MPU writes the two least significant bits of the four data bits into U106 (10176) at I/O address 50_{hex} and the two most significant bits into U108 (10176) at I/O address 51_{hex}.

Each address line of the SGRAM is connected to two output lines which are wired together as follows:

Table 7-23
338 SGRAM TEST SGRAM ADDRESS CONNECTIONS

SGRAM U144	TRIGGER F-F	Setup	
		Gate	MPU Data
A0 (pin 13)	U138 pin 15	U140 pin 2	D0
A1 (pin 14)	U150 pin 15	U140 pin 3	D1
A2 (pin 15)	U136 pin 15	U140 pin 4	D2
A3 (pin 16)	U136 pin 2	U140 pin 13	D3
A4 (pin 17)	U138 pin 2	U140 pin 14	D4
A5 (pin 9)	U150 pin 3	U140 pin 15	D5
A6 (pin 10)	U134 pin 2	U154 pin 14	D6
A7 (pin 11)	U148 pin 14	U154 pin 3	D7

In order to set up the SGRAM, the MPU data (translated to ECL-level) points to the address of the SGRAM. These data bits are gated as in the table above, enabled by LDSGRAM from U108 <5> (10176) bit 4 on the A03 board. Bit 4 is maintained high during this setup.

The write pulse to the SGRAM, WRITE SGRAM is generated when the MPU writes at I/O address 58_{hex}. At the same time, the address to the SGRAM is supplied by the MPU data.

The Read process is the same as in the WR Test, except that the inputs for U 146 (quad 2-input multiplexer/latch, 10173) on the A03 board are switched to the outputs of the SGRAM.

During each read, the MPU verifies the data and issues an Error Message if it is not equal to the expected data.

11. N & DELAY TEST

Program: N & DLY

Function:

Power on - The Event/Delay counter counts word "A" N times when functioning as the event counter, and counts a certain number of clock signals for delay when functioning as the delay counter.

When functioning as the event counter, the MPU loads a small N value into the counter register and increments the counter using clock pulses while observing the carry bit. The Delay counter functions the same way, using the DELAY value as the initial counter value. In both cases the number of clock signals needed to generate the carry are compared with the expected values.

Troubleshooting - This is not a verification test, so no test result will appear on the CRT screen. This test should be observed on an oscilloscope. The Troubleshooting routine automatically tests the N&DELAY counter by alternately loading and running the counter, first with N values as the event counter, and then with DELAY values for the delay counter. The user programs the N and DELAY values before beginning the test. This test will run continuously until the user presses the STOP key. If no test values are entered, the N counter is set to 1 and the DELAY counter is set to ZERO. In this case, the N&DELAY counter will not run. To run this test, N must be greater than 1, and DELAY must be greater than 0.

Description: Refer to Figure 7-42. The Event Delay counter U158 (event/delay counter, μ PB3Z198R) on the A03 ACQ Control board is controlled by three signals, \overline{CE} , LOAD N, and LOAD DL from the SGRAM U144 (256 word X 4-bit RAM, HM10422) on the A03 board. The counter generates $\overline{N-1}$ as a carry when it reaches full count. This Event/Delay counter has two registers, the one which holds the N value is called the N-register and the one which holds the DELAY value is called the DL register.

In this test, the MPU writes $000F_{hex}$ as the N value into the N-register at I/O addresses 41_{hex} and 42_{hex} , and $005A_{hex}$ as the DELAY value into the DL register at I/O address 43_{hex} and 44_{hex} .

Start flip-flop U124B (dual type D master-slave flip-flop, 10131) on the A03 board is set by START2 from U 110 (binary to 1-8 decoder/multiplexer, 10162) on the A03 board. U124B passes a clock signal generated by the MPU.

Latches U106 and U108 (hex D master-slave flip-flop, 10176) on the A03 board are set to hold data 1100b for the SGRAM. They also enable U140 (hex AND-gate, 10197) and U154 (quad 2-input AND-gate, 10104) on the A03 board. Those gates control the data supplied to the address line of the SGRAM.

The MPU writes the data already set in the latches into the SGRAM at address FF_{hex} using the WRITE SGRAM signal from U1 12 <6> (10162) on the A03 board. This data generates the LOAD N command for the Event/Delay counter. After this setup, latches U106 and U108 (10176) are written to set the clock qualifier to off, which enables the MPU to send a single clock. The MPU generates STEP CLK by writing at I/O address 55_{hex} from U1 10 (10162) on the A03 board, using FF_{hex} as data. That is, the SGRAM delivers the data at address FF_{hex} pointed to by the MPU Data to the Event/Delay counter, it is LOAD N, and the strobe generator circuit on the A03 board generates TRIG CLK to the Event/Delay counter.

By this procedure, the N value of the N-register in the Event/Delay counter is loaded into the counter itself.

To keep the Event/Delay counter enabled during the test, the SGRAM must supply \overline{CE} to the Event/Delay counter. So, the same setups mentioned above are repeated in order to load 0000_{binary} into the SGRAM.

After that, the MPU unmask the interrupt of the Event/Delay counter carry by writing at I/O address 40_{hex} .

Then the MPU generates STEP CLK by writing FF_{hex} for the SGRAM address until it receives an interrupt signal. Once the interrupt occurs, the MPU reads the status from I/O address $5D_{hex}$. The signal path for reading the status is same as in the Clock Test.

The MPU checks to see whether the Event/Delay counter Carry flag is set, and also checks the number of STEP CLKs generated.

If the flag is set and the clock count is correct, the MPU proceeds to the next step, otherwise it issues an error message and stops the test.

The DELAY count can be tested in the same way as the Event count, N. In this case, 1010_{binary} is set in latches U106 and U108 (10176) on the A03 board.

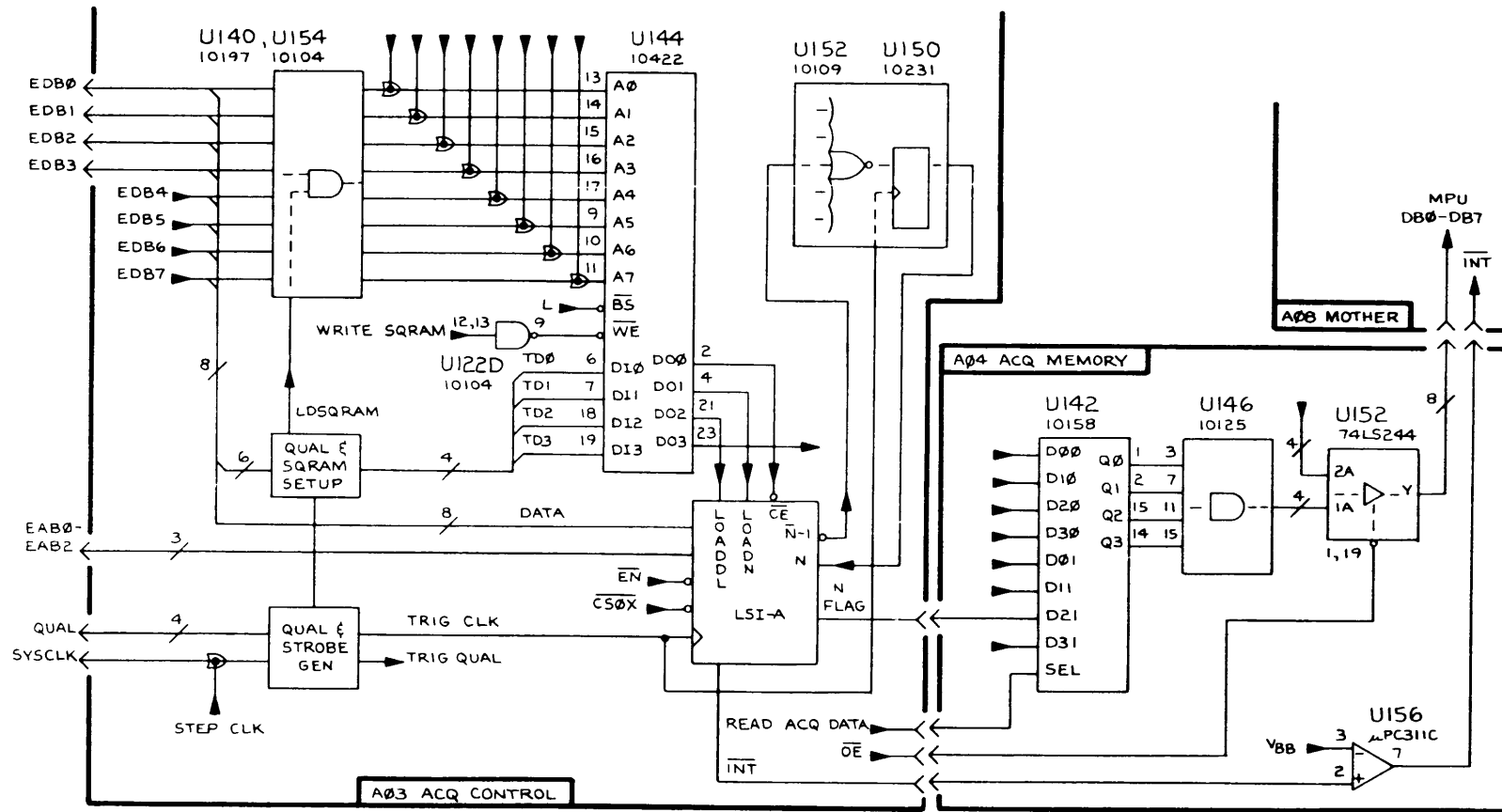


Figure 7-42. 338 N and DELAY counter test.

12. THRESHOLD TEST

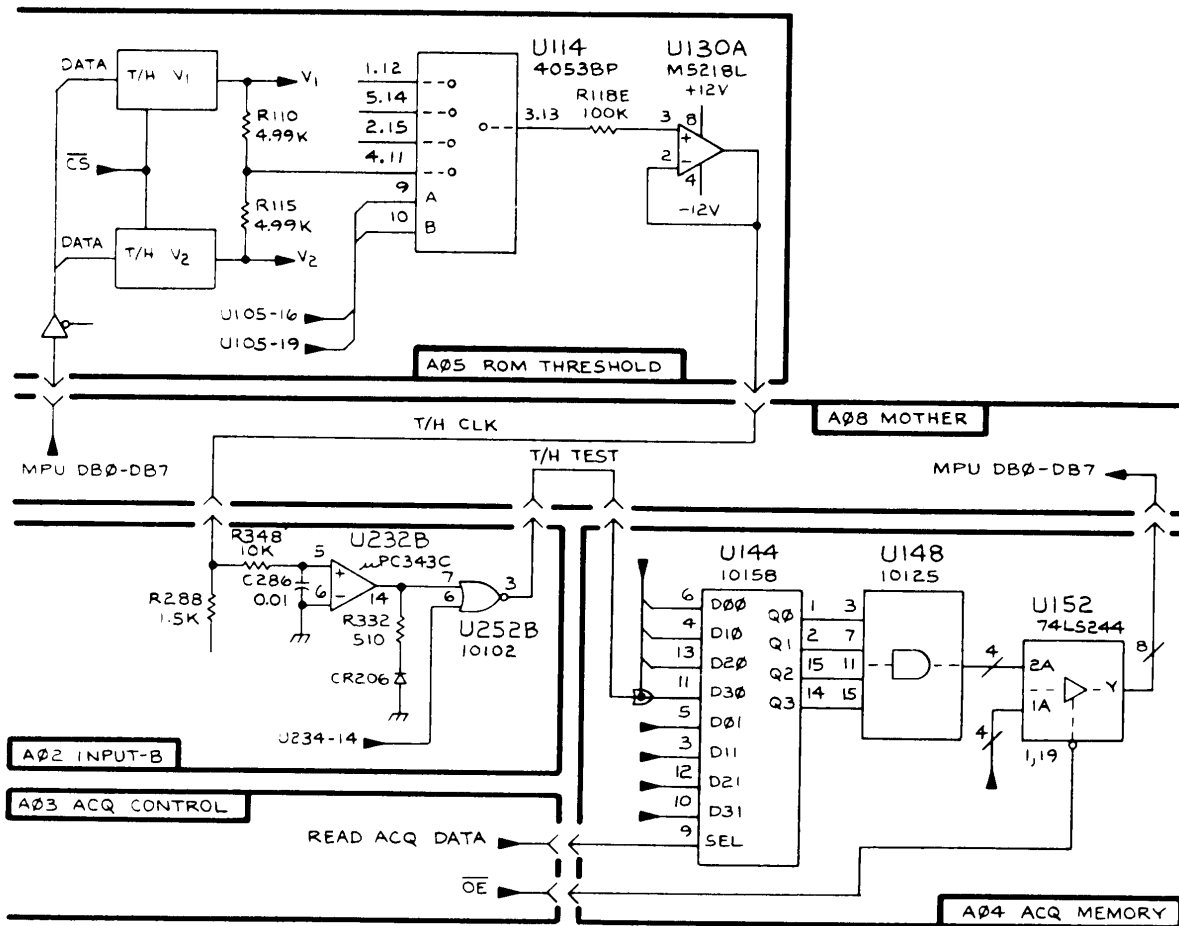
Program: THRSH

Function:

Power on - Threshold V1 and Threshold V2 are set for several levels to produce Threshold V3 at - 0.2V or +0.2V. For every setting the comparator will detect the Threshold V3 level relative to ground and the MPU checks the comparator's output against the expected data (0 or 1).

Troubleshooting - Threshold V1 and Threshold V2 are programmed from -10.0V to + 10.0V incrementally with 0.1V steps in order to generate the saw-tooth waveform.

Description: Refer to Figure 7-43. Two levels of voltage, one for V1 and the other for V2, are produced by DAC U070 and U080 (CMOS 8-bit buffered multiplying DAC, AD7524) on the A05 ROM/Threshold board. When the MPU writes data into these DACs, this setting is latched inside. The data is supplied from U216 (octal bus transceiver with tri-state output, 74LS245) on the A06 MPU/Display board through the A08 Mother board, and U045 (74LS245) on the A05 board.



4434-573

Figure 7-43. 338 Threshold test.

When the MPU writes at I/O address $E0_{hex}$ the \overline{WR} and \overline{CS} signals are sent to U070 (DAC V1) to latch the data. \overline{WR} and \overline{CS} for U080 (DAC V2) are caused by the MPU's access at I/O address $E1_{hex}$. The \overline{WR} signal is delivered from U150C (quadruple 2-input positive NOR gate, 74LS02) on the A05 board, which comes from U214 (octal buffer/line driver with tri-state output, 74LS240) on the A06 board. \overline{CS} for these DACs are generated by U092B (dual 2-line to 4-line decoder/demultiplexer, 74LS139) on the A05 board.

A number less than 80_{hex} programs the DAC for positive output, and a number more than 80_{hex} programs it for negative output centered on GND (80_{hex}) in 0.1V steps. The actual output of these DACs is 1/4 of that specified in the Threshold menu.

This test sets the DACs to several values, given in Table 7-24, and checks V3 selected for CLK Threshold indirectly.

The settings and expected data are shown in Table 7-24.

Table 7-24
338 THRESHOLD TEST DATA VALUES

V1	V2	V3	Expected
+0.3V (83_{hex})	- 0.1 V ($7F_{hex}$)	+ 0.2V	1
+0.7V (87_{hex})	-0.5V ($7B_{hex}$)	+0.2V	1
+1.1V ($8B_{hex}$)	- 0.9V (77_{hex})	+ 0.2V	1
+1.9V (93_{hex})	-1 .7V ($6F_{hex}$)	+ 0.2V	1
+3.5V ($A3_{hex}$)	-3.3V ($5F_{hex}$)	+0.2V	1
+6.7V ($C3_{hex}$)	-6.5V ($3F_{hex}$)	+0.2V	1
-0.3V ($7D_{hex}$)	+0.1V (81_{hex})	--0.2V	0
-0.7V (79_{hex})	+0.5V (85_{hex})	-0.2V	0
-1.1V (75_{hex})	+0.9V (89_{hex})	-0.2V	0
-1.9V ($6D_{hex}$)	+1.7V (91_{hex})	-0.2V	0
-3.5V ($5D_{hex}$)	+3.3V ($A1_{hex}$)	-0.2V	0
-6.7V ($3D_{hex}$)	+6.5V ($C1_{hex}$)	-0.2V	0

V3 is calculated by $(V1 + V2)/2$ using two resistors, R 110 and R1 15 (4.99 K Ω) on the A05 board. V3 is selected by U1 14 (differential 4-channel multiplexer, 4052BP) on the A04 board and sent to U216 (ultra fast dual comparator, SP9687) and the Comparator U232 (dual comparator, uPC393C) on the A02 Input-B board through the A08 board. In the A02 board, V3 is compared with ground by the U232 Comparator and its output is sent to U252B (quad 2-input NOR gate, 10102) on the A02 board. U252B is enabled by U234 (hex D master-slave flip-flop, 10176) on the A02 board when the MPU writes $X0XXXX_{binary}$ into it at I/O address 03_{hex} . U252B (10102) on the A02 board outputs the Threshold TEST signal to U144 (quad 2-input multiplexer, 10158) on the A04 board via the A08 board.

During this test, all outputs of the ACQ Memories on the A04 board are disabled (maintained low) y forcing BS high from U114 (hex D master-slave flip-flop, 10176) on the A04 board. U1 14 is written by the MPU at I/O address 5A_{hex}.

The MPU reads the data from the A04 board at I/O address 59_{hex}, i.e., with READ ACQ DATA from 112 (binary to 1-8 decoder/multiplexer, 10162) on the A03 board. This reading sequence is the ame as in the ACQ Test.

Then the MPU compares the MSB of the data read to the one expected. If they don't match each other, an error message will be issued.

13. SEQ TEST

Program: SEQ

Function:

Power on - A single acquisition with a full trigger sequence is simulated to check a whole operation.

Troubleshooting - The content of this test is the same as that run automatically when the power s first turned on, but here the Looping feature is available. The Looping feature has 4 options; OFF, /O, ERROR, and TEST. When the LOOP field is set to I/O, the looping feature allows only I/O instructions to be run repeatedly. The I/O address will appear on the screen. When the field is set to ERROR, the looping feature allows the tests in which an error is detected to be run repeatedly. When the field is set to TEST, the looping feature allows one test, or sequence of tests, to be run continuously. When the field is set to OFF, the looping feature is not available and one test, or sequence of tests, will run once.

When I/O Looping is selected, only those selected OUT instructions (subroutines), including one of the addresses listed below, will run. Unless the STOP key is pressed, this test will continue looping without displaying the result of the verification. In this case, the user should use an oscilloscope to observe the Acquisition circuit board.

PORT ADDRESSES (HEX)

Address	Content of Looping Test
55	write WA into High-speed memory.

When ERROR is selected, looping will occur only if errors are detected. If no errors are detected, the ERROR looping test will run through its tests only once, and the results of the verification will be displayed on the CRT just as if the looping field had been selected to OFF. If errors are detected, the ERROR Looping function is available for the read cycle of the test, and the result of the verification will appear on the screen. Refer to the *Appendix B* in this manual for an explanation of error codes.

Description: A single acquisition is simulated to check the trigger sequencer operation. Pseudo data is generated in exactly the same way used in the WR and ACQ tests, and applied to the latches on the A01 INPUT-A and INPUT-B boards.

The words, WA, WB, and WC are set to 01_{hex}, 02_{hex} and 03_{hex} respectively. Then full trigger sequence, 5*WA FLW'D BY:WB RESET ON:WC is selected with 16 clocks of delay to stop after the trigger recognition.

The data AAAXBCAAXAAAXABXABCXABCXABCXABC is supplied to the WR on the A01 and the A02 boards and to the ACQ Memories on the A04 ACQ MEMORY board. SYSCLK is generated by the MPU by writing at I/O address 4A_{hex}, which is into the Time Base U140 on the A04.

The operation of the Trigger Sequencer is observed by the MPU by reading the interrupt and the ACQ status. The MPU checks these conditions on every clock pulse, and if there are any unexpected events the MPU displays an error message.

After the end of the acquisition (all flags are detected at certain clocks), the MPU reads the data from the ACQ Memories on the A04 board, and compares them with the word sequence applied. An error message is displayed if there are differences.

338S1 SERIAL ANALYSIS/RS232C/NVM

14. BATTERY TEST

Program: TSTBTT

Function:

Power on - TSTBTT checks the battery voltage to see if it is more or less than 2.2 Volts.

Troubleshooting - None

Description - Detected battery voltage status is shown in the option status register at bit 07. TSTBTT reads this bit from I/O address 80. (Refer to option I/O function list)

Battery voltage is detected by Q170, and battery status is applied to bit #7 of the status register by U32.

U30 decodes option I/O addresses.

15. NON-VOLATILE MEMORY TEST

Program: TSTNV1 (power on), TSTNV2 (Troubleshooting)

Function:

Power on - The NVM has a check-sum word that is used for checking non-volatile memory data. The TSTNV1 program calculates the check sum by reading NVM data and comparing it with the NVM check sum.

Troubleshooting - The TSTNV2 diagnostic program includes twelve test programs. For all of these tests, the method is read data after write. (Refer to the failure code list for check data format.)

All NVM data is cleared after the diagnostic has run.

Description - The NVM address is from E000 through E7FF; NVM address select signal (NVMCS) is supplied from the address decoder on the MPU (A06) board through bus connector 46B. The NVM chip is selected by the inverse NVMCS and the power(+5V) monitor signal. If the power monitor circuit detects low power (< 4.6V), the NVM can not be selected. NVM data is gated by U25, which is controlled by the BRD, BIORQ, and NVMCS signals. The RD and WR signals (these are inverse signals of BRD and BWR) control the direction of NVM data.

16. RS-232 TEST

Program: TSTRM1 (power on), TSTRM2 (Troubleshooting)

Setup: - Before starting TSTRM2, you must connect the self test adapter to the RS-232 communication port. (Refer to Figure 7-23.)

Function:

Power on - TSTRM1 initializes the SIO Port-B and reads its initial status. If the initial status is good, it loads dummy data into the SIO and checks for status change.

Troubleshooting - TSTRM2 diagnostic has the following three functions;

1. checks MODEM control signals
2. checks the SIO Port-B status
3. checks data transmit and receive functions

Function 1 includes eight test programs. These programs check the status of MODEM signals RTS, CTS, CD, DTR, and DSR.

Function 2 includes seven test programs. These programs check the SIO Port-B initial status.

Function 3 includes nine test programs. These programs transmit increment pattern data from SIO Port-B, then receive and compare that data against the original data. Data speed is changed automatically from 110 baud through 9600 baud.

(Test data format is fixed at 8 bits/word, even parity, and one stop bit,)

Description - Refer to the 01 Option I/O function list, and simplified block diagrams for SERIAL and RS-232 when reading the following.

The SIO and other option hardware I/O address is decoded by U30. The SIO Port-B controls RS-232 functions; that address is 92 and 93, and the RS-232 baud rate selector address is 88.

The SIO data line is common for both Port-A and Port-B. These eight data lines connect to buffer U25; U25 is gated by the option I/O address.

The SIO timing is synchronized by the CPU clock. That clock is supplied from the MPU on the A06 board through bus connector 31A, and its waveform is adjusted by U12 and U32 before reaching the SIO.

All but one of the MODEM control signals are controlled by SIO Port-B. The exception is the DSR signal, which appears in the option status register at address 80. All the signals coming into Port-B are converted from RS-232 levels to TTL levels by the receiver, U40; and all outgoing signals are converted from TTL levels to RS-232 levels by the transmitter, U41.

RS-232 data also passes through U40 and U41. This serial data is sampled at sixteen times the clock of the baud rate. This clock is supplied by U5 (baud rate generator). U45 latches the baud rate select data and its output defines the clock rate.

An I/O loop mode is available for TSTRM2. This mode is used to check the I/O address selection circuit. When the diagnostic program is running in the I/O loop mode, TSTRM2 executes the following program function continuously.

Table 7-25
338 RS-232C I/O ADDRESSES

Selected I/O Address	Program Function
80	Read content of address 80.
88	1. Write data 10 to address 88. 2. " 20 " 3. " 40 " 4. " 80 " Repeat in rotation 1 through
92	Write data 55 to SIO Port-B data register.
93	1. Write data 18 (reset command) to SIO Port-B register #0. 2. Read SIO Port-B register #0. Repeat 1 and 2.

17. SERIAL TEST

Program: TSTR1 (power on), TSTR2 (Troubleshooting)

Setup: - Loop back test data of TSTR2 is supplied from the RS-232 port, so the P6107 serial input probe must be connected to pin #2 of the RS-232 connector. (Refer to Figure 2.)

Function:

Power on - TSTR1 initializes the SIO Port-A and reads the initial status. If the initial status is good, it loads dummy data into the SIO and checks for any status change.

Troubleshooting - The TSTR2 diagnostic program has the following three functions;

1. checks the SIO Port-A status
2. checks external trigger circuit
3. checks data passing through the circuit

Function 1 includes six test programs. These programs read the initial status of the SIO Port-A.

Function 2 includes two test programs. These programs control the external trigger transition, and check the trigger status in bit #1 of the option status register.

Function 3 includes eight test programs. These programs generate serial data (shift pattern data: 01 02 04 08 10 20 40) at pin #2 of the RS-232 connector. The programs also check incoming data at SIO Port-A. Serial data speed is changed automatically during the test.

(The Test data format is fixed to 8 bits/word, even parity, 1 stop bit. The data threshold is TTL, and data polarity is negative.)

Description- Refer to the 01 Option I/O function list and simplified diagram of the Serial and the RS-232 when reading the following:

SIO Port-A is used for Serial data acquisition. The Port-A address is 90 and 91, and the Serial parameter selector address is 8C.

U31 latches the baud select data, input data polarity bit, and the external trigger polarity bit. These are the parameters for Serial acquisition control.

U6 generates the receive data sampling clock and supplies this clock to SIO pin #13. U22 switches the input clock selector from either the 19.2 K internal clock or the External clock; but the TSTSR2 program does not test this logic.

The external trigger polarity is defined by U12, and U22 latches on the transition of U12's output. This status is initialized by writing data to address 84. External trigger status appears at bit #0 of the option status register; its address is 80.

The serial input data level is divided by 10 at input and this signal is amplified 2.5 times by U100 before reaching Test Point 10. The data at T.P. 10 is compared with Threshold C (supplied from the RAM board through bus connector 39B) by U110; then data polarity is defined by U12 and supplied to SIO pin #12.

The I/O loop feature is available for TSTSR2. This mode is used to check the I/O address selection circuit. When the diagnostic program is running in the I/O loop mode, TSTSR2 executes following program functions continuously.

Table 7-26
338 SERIAL TEST I/O ADDRESSES

Selected I/O Address	Program Function
80	Read content of address 80.
84	Write data to address 84.
8C	1. Write data 10 to address 8C. 2. " 20 " 3. " 40 " 4. " 80 "
.	Repeat in rotation 1 through 4
90	Write data 55 to SIO Port-A data register.
91	1. Write data 18 (reset command) to SIO Port-A register #0. 2. Read SIO Port-A register #0 Repeat 1 and 2.

OPTION I/O FUNCTION LIST

I/O ADDRESS = 80
 CHIP = U32
 FUNCTION = OPTION STATUS REGISTER
 CONTROL = READ ONLY

bit = 7 6 5 4 3 2 1 0

battery status	xxxxx	xxxxx	xxxxx	xxxxx	xxxxx	MODEM DSR status	external trigger
----------------	-------	-------	-------	-------	-------	------------------	------------------

bit 0: ON = external trigger is occurred.
 OFF = external trigger is not occurred.

bit 1: ON = DSR signal is OFF.
 OFF = DSR signal is ON.

bit 7: ON = battery voltage is low. (<2.4 Volt)
 OFF = battery voltage is normal.

I/O ADDRESS = 84
 CHIP = RESET TO U22-B
 FUNCTION = INITIALIZE THE EXTERNAL TRIGGER
 CONTROL = WRITE ONLY

bit = 7 6 5 4 3 2 1 0

battery status	xxxxx	xxxxx	xxxxx	xxxxx	xxxxx	xxxxx	xxxxx
----------------	-------	-------	-------	-------	-------	-------	-------

NOTE: "xxxxx" data bit has no function.

I/O ADDRESS = 88
 CHIP = U45
 FUNCTION = RS-232 BAUD RATE SETUP REGISTER
 CONTROL = WRITE ONLY

bit = 7 6 5 4 3 2 1 0

baud select as S3	baud select as S2	baud select as S1	baud select as S0	xxxxx	xxxxx	xxxxx	xxxxx
-------------------	-------------------	-------------------	-------------------	-------	-------	-------	-------

Table 7-27
338 SERIAL TEST BAUD SELECT BITS

S3	S2	S1	S0	Selected Baud Rate
OFF	OFF	OFF	OFF	OFF NO CLOCK (EXTERNAL CLOCK)
OFF	OFF	OFF	ON	{NO CLOCK (19.2K)}
OFF	OFF	ON	OFF	50
OFF	OFF	ON	ON	75
OFF	ON	OFF	OFF	134.5
OFF	ON	OFF	ON	200
OFF	ON	ON	OFF	600
OFF	ON	ON	ON	2400
ON	OFF	OFF	OFF	9600
ON	OFF	OFF	ON	4800
ON	OFF	ON	OFF	1800
ON	OFF	ON	ON	1200
ON	ON	OFF	OFF	2400
ON	ON	OFF	ON	300
ON	ON	ON	OFF	150
ON	ON	ON	ON	110

NOTE: The baud rate in the bracket is special speed, it is used for only serial data acquisition.

I/O ADDRESS = 8C
 CHIP = RESET TO U31
 FUNCTION = SERIAL PARAMETER SETUP REGISTER
 CONTROL = WRITE ONLY

bit = 7 6 5 4 3 2 1 0

baud select as S3	baud select as S2	baud select as S1	baud select as S0	extern. trigger pol.	Serial data pol.	xxxxx	xxxxx
-------------------------	-------------------------	-------------------------	-------------------------	----------------------------	------------------------	-------	-------

NOTE: xxxxx data bits have no function.

bit 7, 6, 5, 4: these four bits are used to set serial baud rate. S3, S2, S1, S0 select the baud rate by same manner shown in RS-232 BAUD RATE SETUP REGISTER.

bit 3: ON = set external trigger direction to trailing edge.
 OFF = set external trigger direction to leading edge.

bit 2 ON = set serial input data polarity to negative.
 OFF = set serial input data polarity to positive.

I/O ADDRESS = 90
 CHIP = U2
 FUNCTION = READ DATA OF SERIAL PORT
 CONTROL = READ

I/O ADDRESS = 91
 CHIP = U2
 FUNCTION = SERIAL DATA ACQUISITION CONTROL
 CONTROL = READ AND WRITE

I/O ADDRESS = 92
 CHIP = U2
 FUNCTION = READ AND WRITE DATA OF RS-232 PORT
 CONTROL = READ AND WRITE

I/O ADDRESS = 93
 CHIP = U2
 FUNCTION = RS-232 MODEM SIGNAL AND DATA CONTROL
 CONTROL = READ AND WRITE

The SIO chip U2 has these four I/O address registers: Address 90 and 91 are SIO Port-A registers, and 92 and 93 are SIO Port-B registers. Control addresses 91 and 93 include three READ only and eight WRITE only internal registers. These internal registers control and check all SIO functions.

Details of the SIO internal register functions are described in the *Z80 SIO MANUAL* by ZILOG, SHARP, MOSTEK.

Table 7-28
338 DIAGNOSTIC TEST FAILURE CODES

PART 1 - TSTRM2 (RS-232 TEST)

Code	Error Information
150 (96)	RTS NOT ON
151 (97)	CTS NOT ON
152 (98)	CD NOT ON
153 (99)	RTS NOT OFF
154 (9A)	CTS NOT OFF
155 (9B)	CD NOT OFF
156 (9C)	DTR NOT ON
157 (9D)	DSR NOT ON
158 (9E)	REGISTER #0 READ ERROR (FOR SIO PORT-B)
159 (9F)	RECEIVE READY FLAG NOT ON (" ")
160 (A0)	TRANSMIT EMPTY FLAG NOT OFF (" ")
162 (A2)	REGISTER #1 READ ERROR (" ")
163 (A3)	FRAMING ERROR FLAG NOT OFF (" ")
164 (A4)	OVER RUN ERROR FLAG NOT OFF (" ")
165 (A5)	PARITY ERROR FLAG NOT OFF (" ")
170 (AA)	INCREMENT PATTERN DATA (01-FF) LOOP BACK TEST (FROM RS-232 OUTPUT TO RS-232 INPUT) ERROR AT 110 BAUD
171 (AB)	" " " 150 BAUD
172 (AC)	" " " 300 BAUD
173 (AD)	" " " 600 BAUD
174 (AE)	" " " 1200 BAUD
175 (AF)	" " " 2400 BAUD
176 (B0)	" " " 4800 BAUD
177 (B1)	" " " 9600 BAUD
178 (B2)	INTERRUPT MODE DATA LOOP-BACK TEST ERROR AT 9600 BAUD

Table 7-28 (cont.)
338 DIAGNOSTIC TEST FAILURE CODES

PART 2 - TSTSR2 (SERIAL TEST)

Code	Error Information
180 (B4)	REG #0 READ ERROR (FOR SIO PORT-A)
181 (B5)	RX READY NOT OFF (" ")
182 (B6)	REG #1 READ ERROR (" ")
183 (B7)	FRAMING-ERR BIT NOT OFF (" ")
184 (B8)	OVER RUN-ERR BIT NOT OFF (" ")
185 (B9)	PARITY-ERR BIT NOT OFF (" ")
186 (BA)	EXT-TRIG BIT NOT OFF
187 (BB)	EXT-TRIG BIT NOT ON
188 (BC)	DATA LOOP-BACK TEST ERROR AT 75 BAUD (FROM RS-232 OUTPUT TO SERIAL INPUT)
189 (BD)	" " " 200 BAUD
190 (BE)	" " " 2400 BAUD
191 (BF)	" " " 1800 BAUD
192 (C0)	" " " 1200 BAUD
193 (C1)	" " " 300 BAUD
194 (C2)	" " " 110 BAUD
195 (C3)	" " " 9600 BAUD

Table 7-28 (cont.)
338 DIAGNOSTIC TEST FAILURE CODES

PART 3 - TSTNV2 (NVM TEST)

Code	Error Information			
200 (C8)	DATA ERROR WHEN DATA PATTERN IS FF			
201 (C9)	"	"	"	00
202 (CA)	"	"	"	01
203 (CB)	"	"	"	02
204 (CC)	"	"	"	04
205 (CD)	"	"	"	08
206 (CE)	"	"	"	10
207 (CF)	"	"	"	20
208 (D0)	"	"	"	40
209 (D1)	"	"	"	80
210 (D2)	"	"	"	MARCHING PATTERN
211 (D3)	"	"	"	INCREMENTING PATTERN

7-131/(7-132 blank)

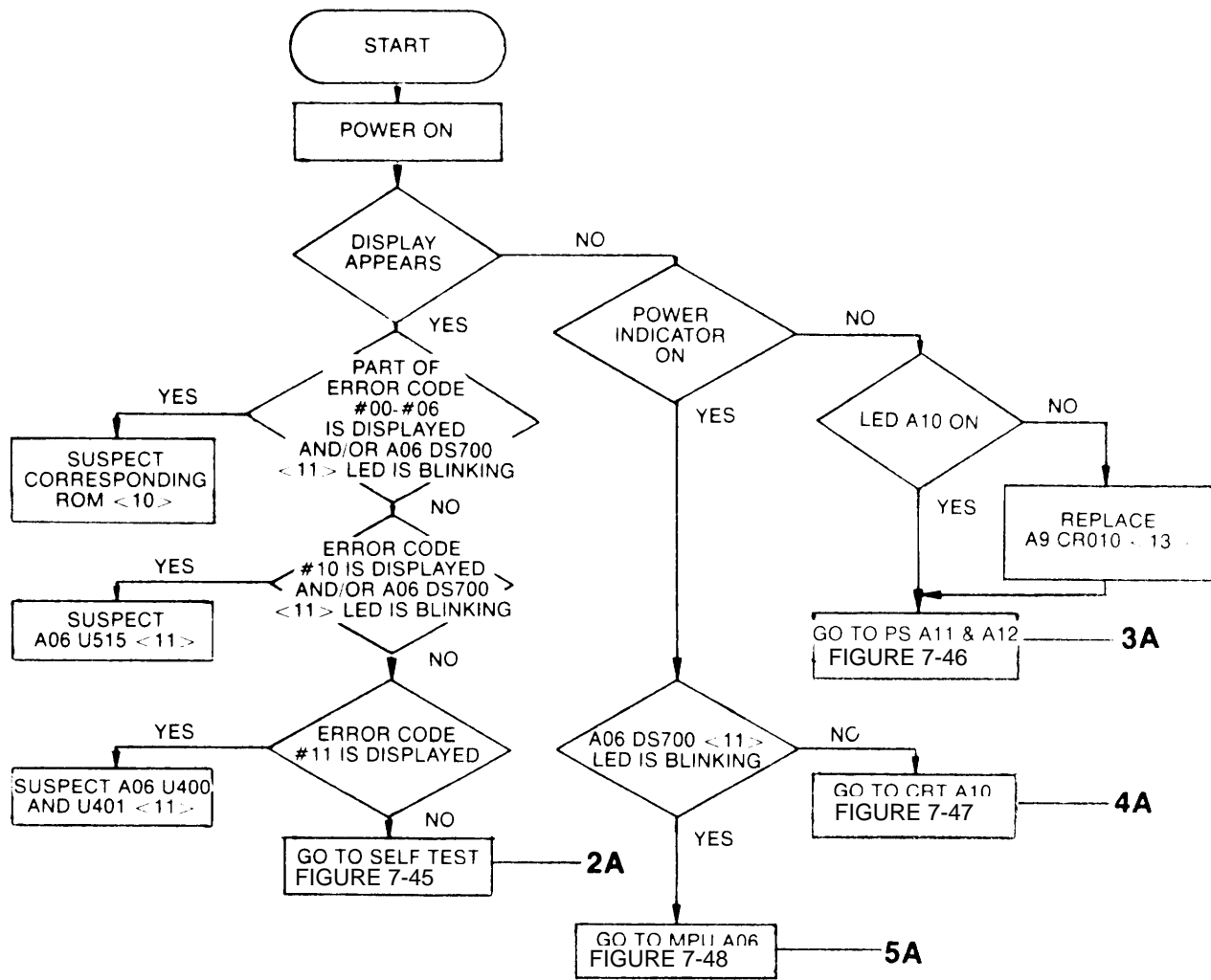


Figure 7-44. Troubleshooting Tree 1: Power On.

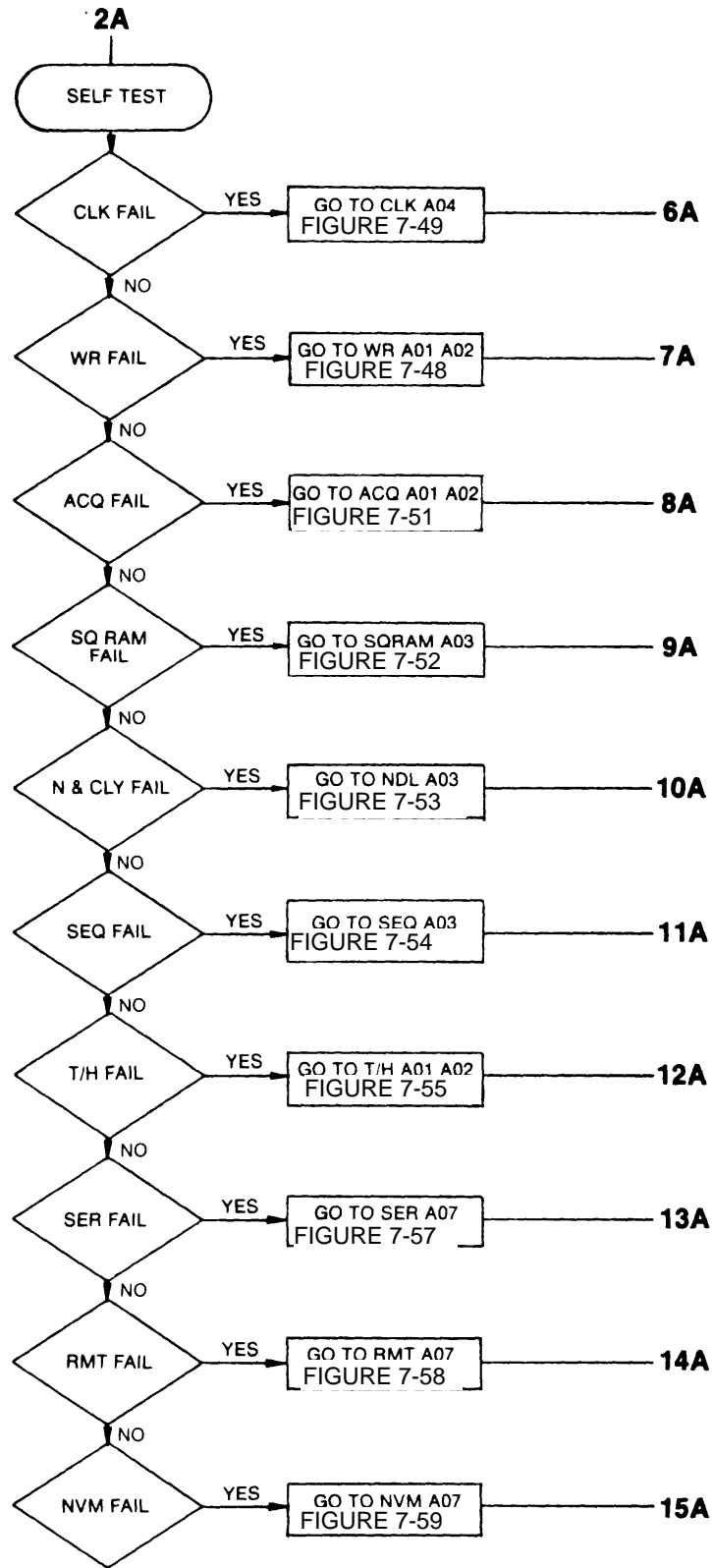


Figure 7-45. Troubleshooting Tree 2: Self Test.

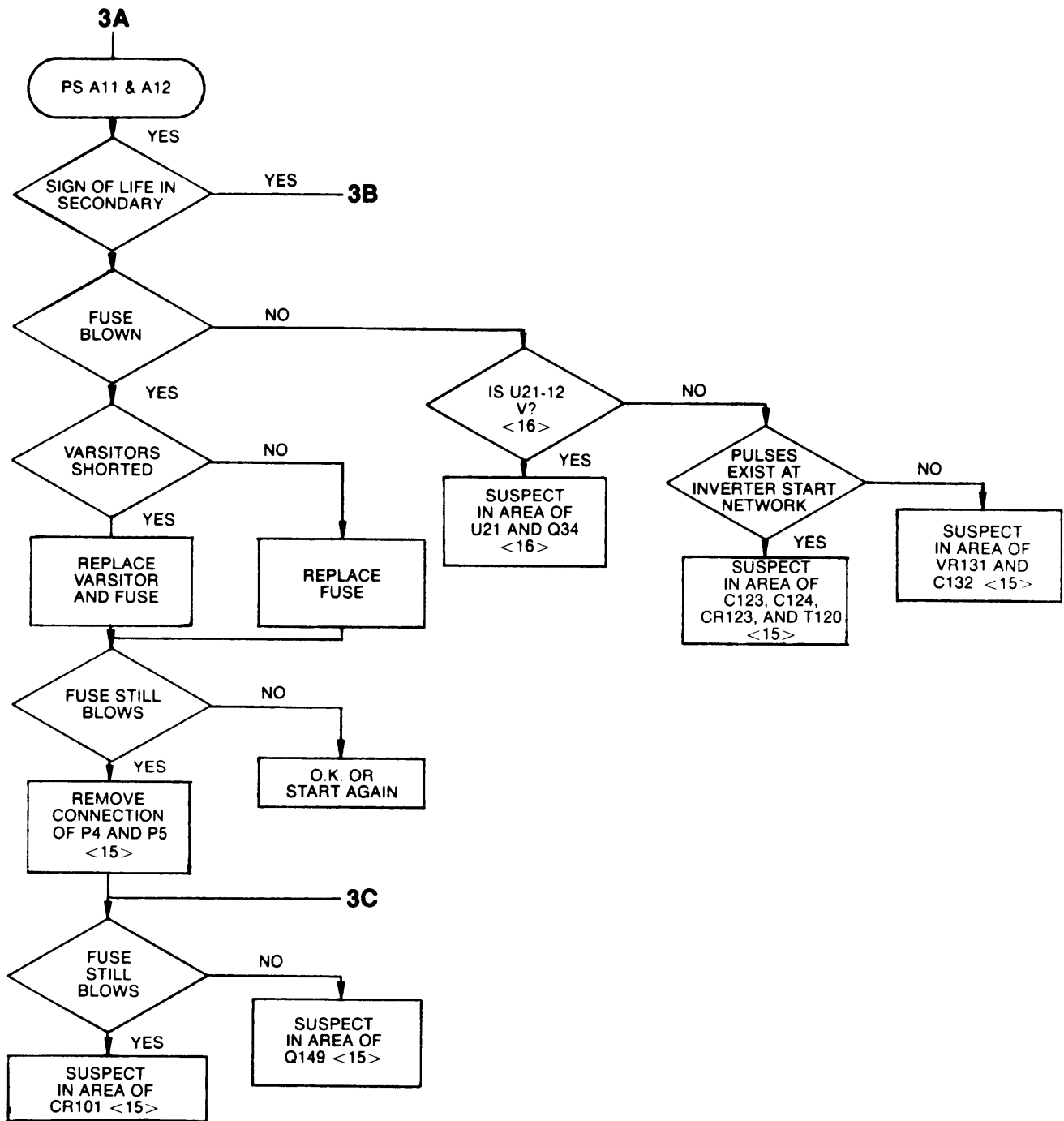


Figure 7-46. Troubleshooting Tree 3: Power Supplies A11, A12 (Sheet 1 of 2).

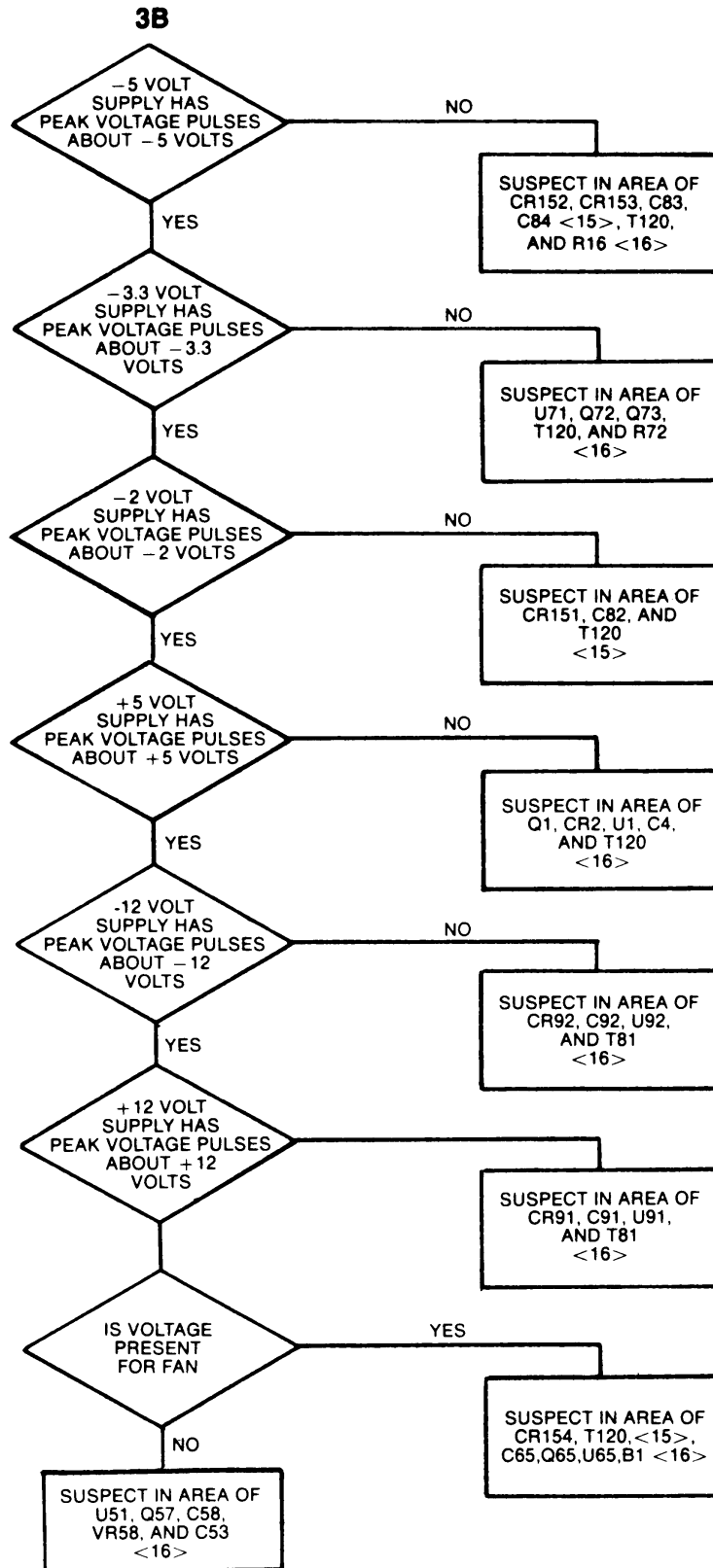


Figure 7-46. Troubleshooting Tree 3: Power Supplies A11, A12 (Sheet 2 of 2).

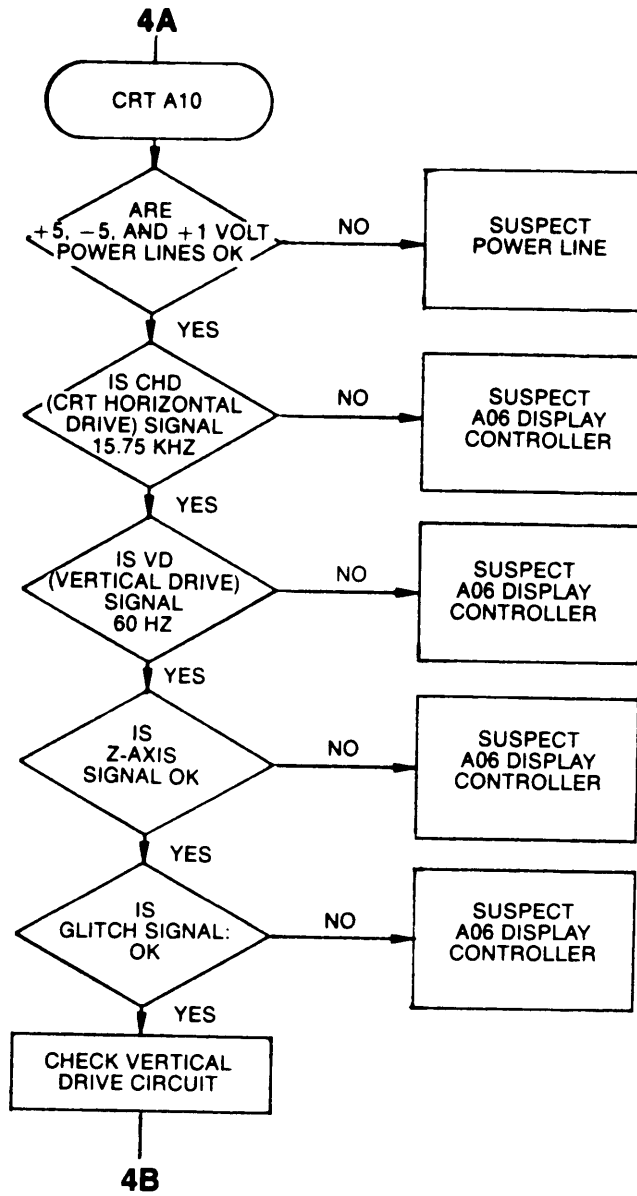


Figure 7-47. Troubleshooting Tree 4: CRT A10 (Sheet 1 of 4).

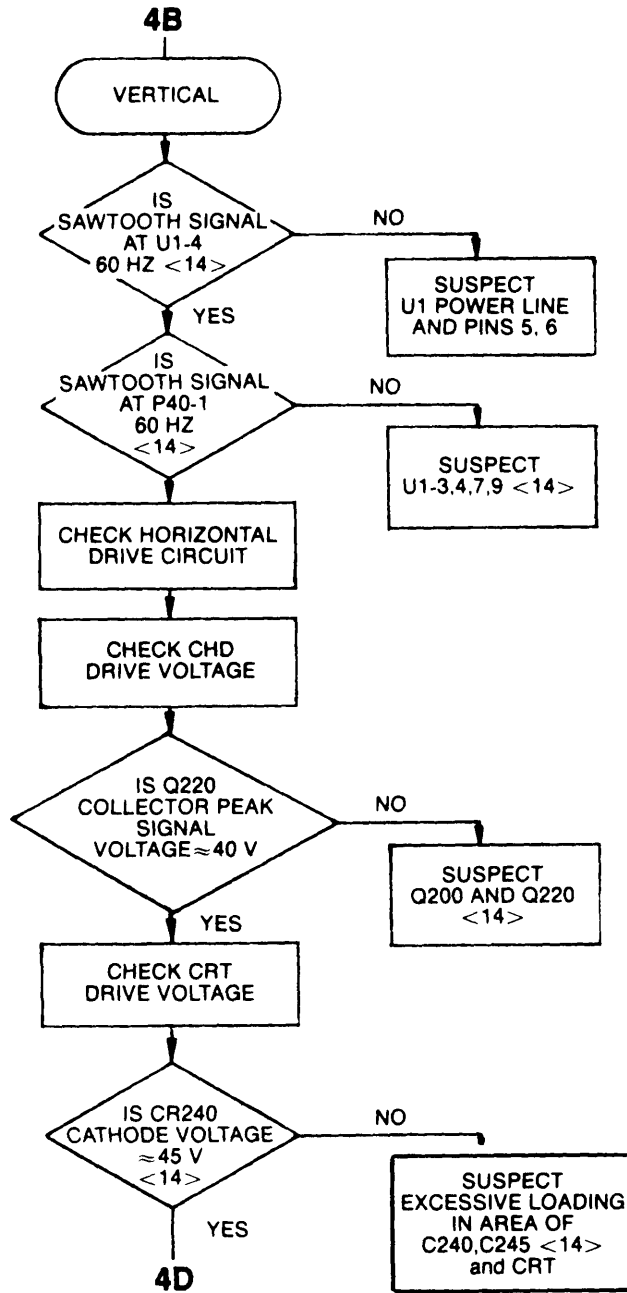


Figure 7-47. Troubleshooting Tree 4: CRT A10 (Sheet 2 of 4).

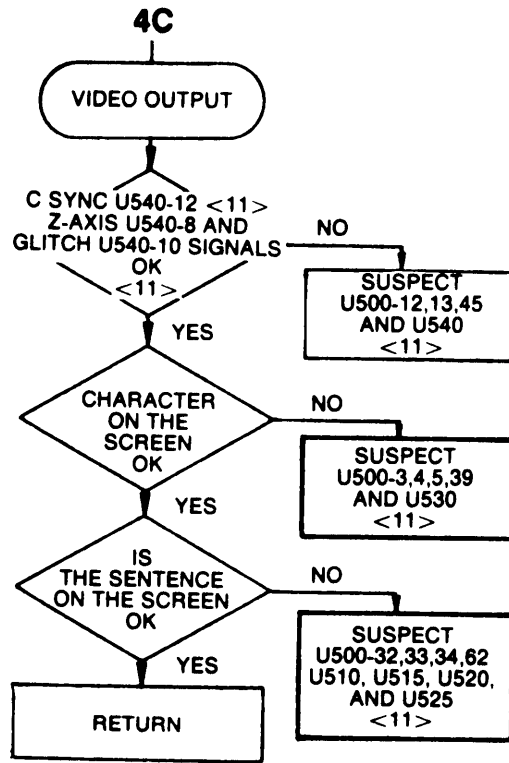


Figure 7-47. Troubleshooting Tree 4: CRT A10 (Sheet 3 of 4).

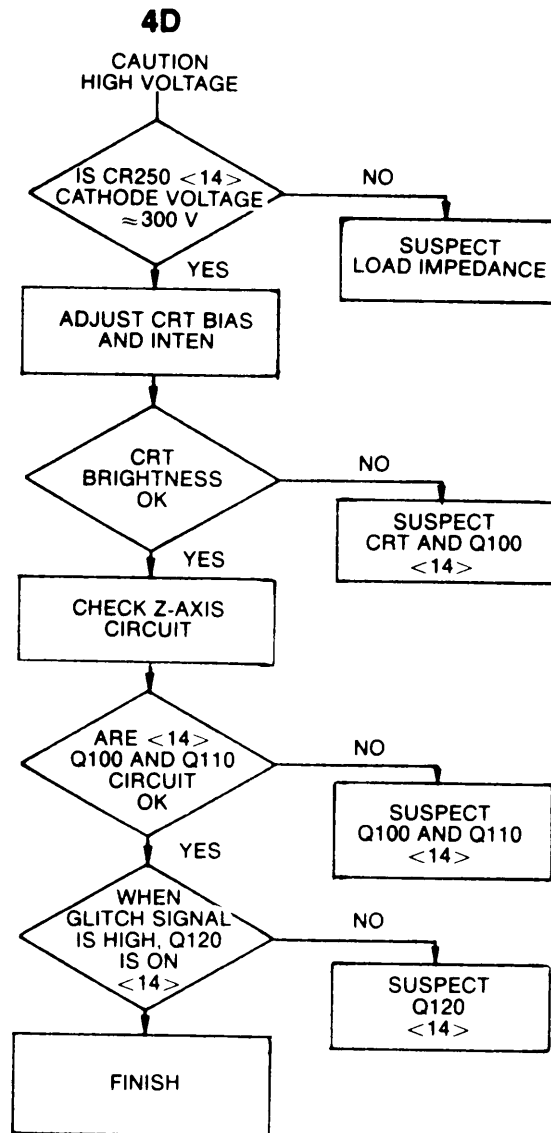


Figure 7-47. Troubleshooting Tree 4: CRT A10 (Sheet 4 of 4).

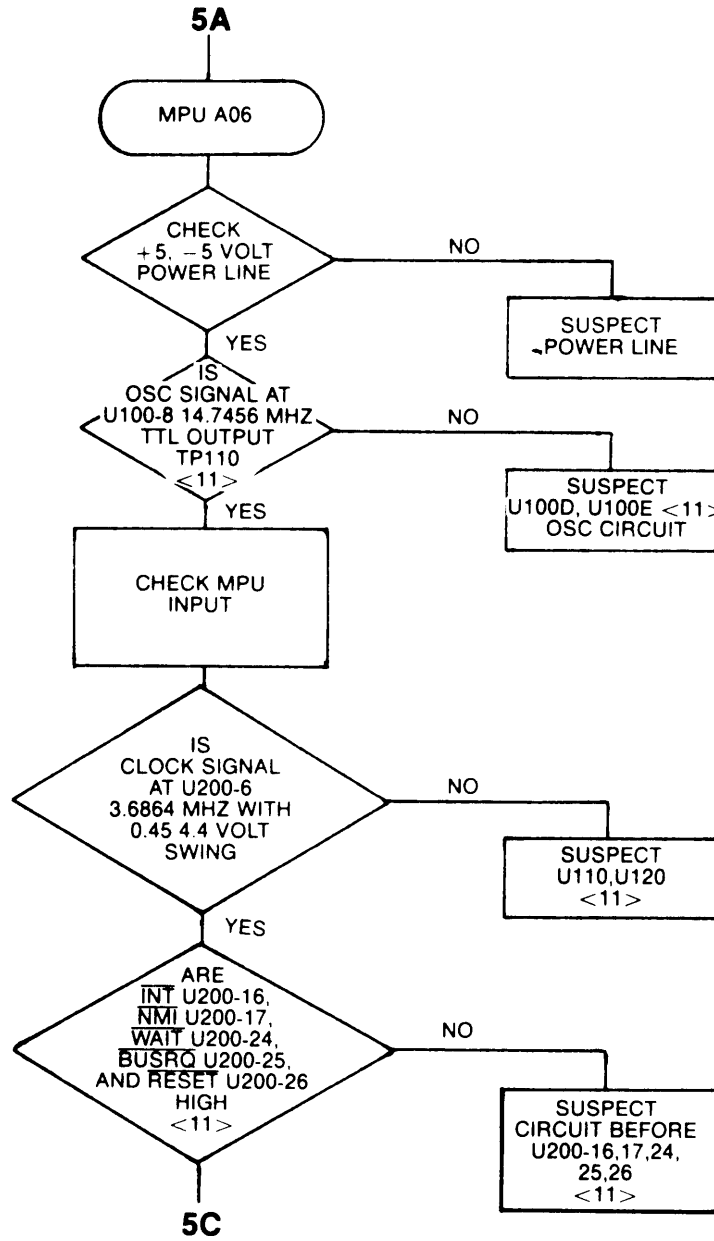


Figure 7-48. Troubleshooting Tree 5: MPU A06 (Sheet 1 of 5).

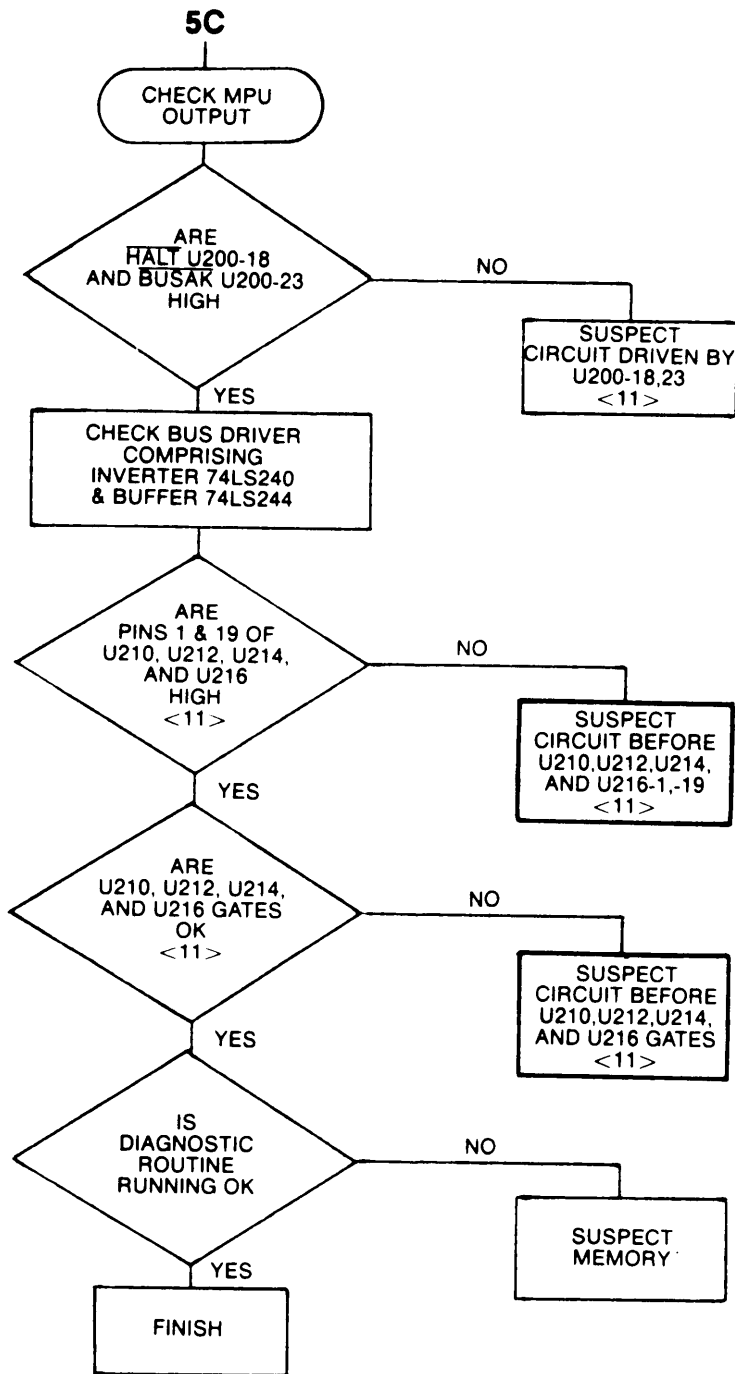


Figure 7-48. Troubleshooting Tree 5: MPU A06 (Sheet 2 of 5).

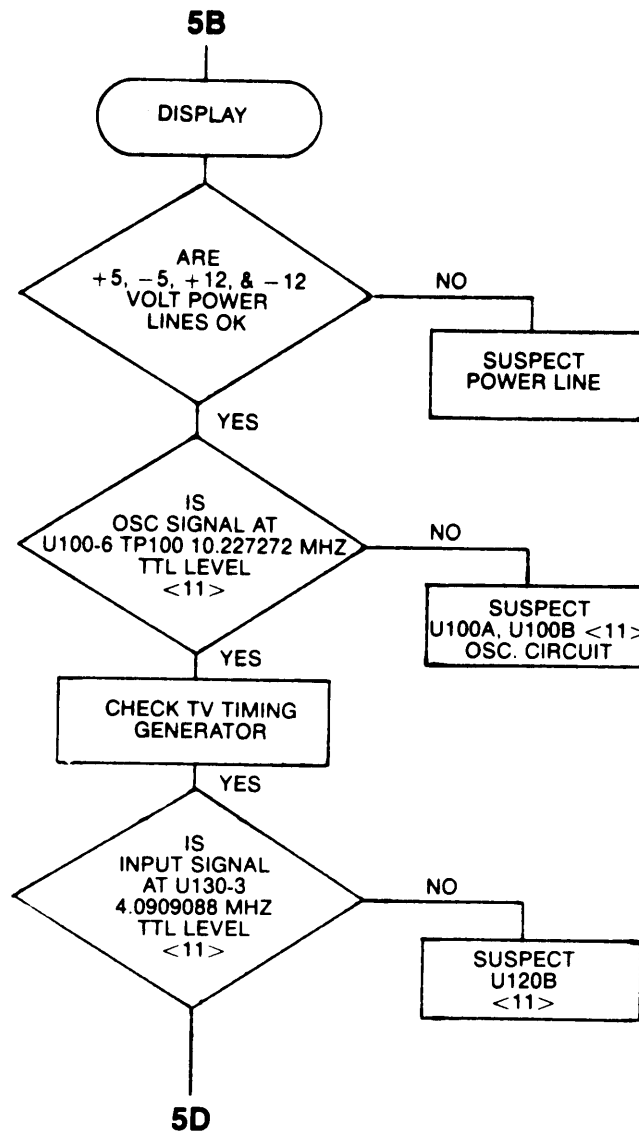


Figure 7-48. Troubleshooting Tree 5: MPU A06 (Sheet 3 of 5).

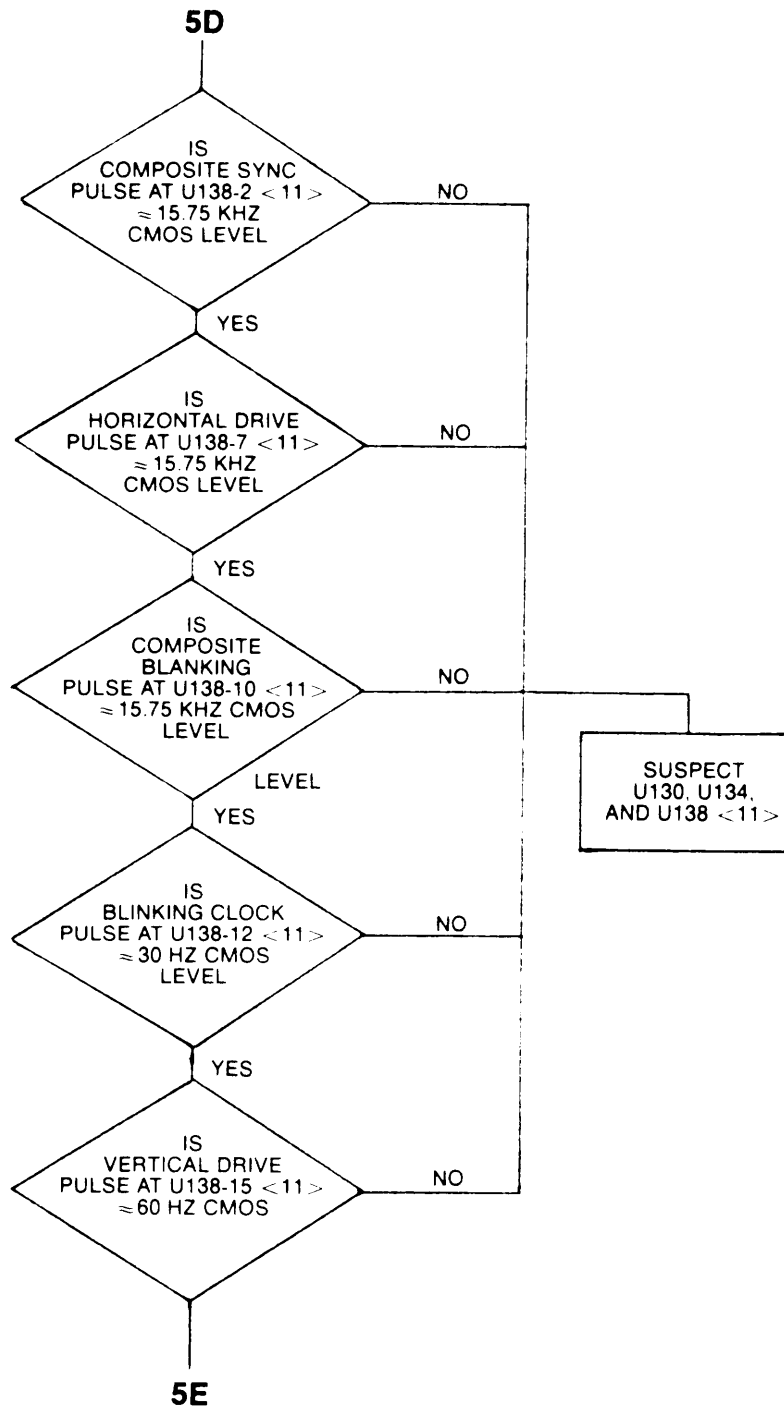


Figure 7-48. Troubleshooting Tree 5: MPU A06 (Sheet 4 of 5).

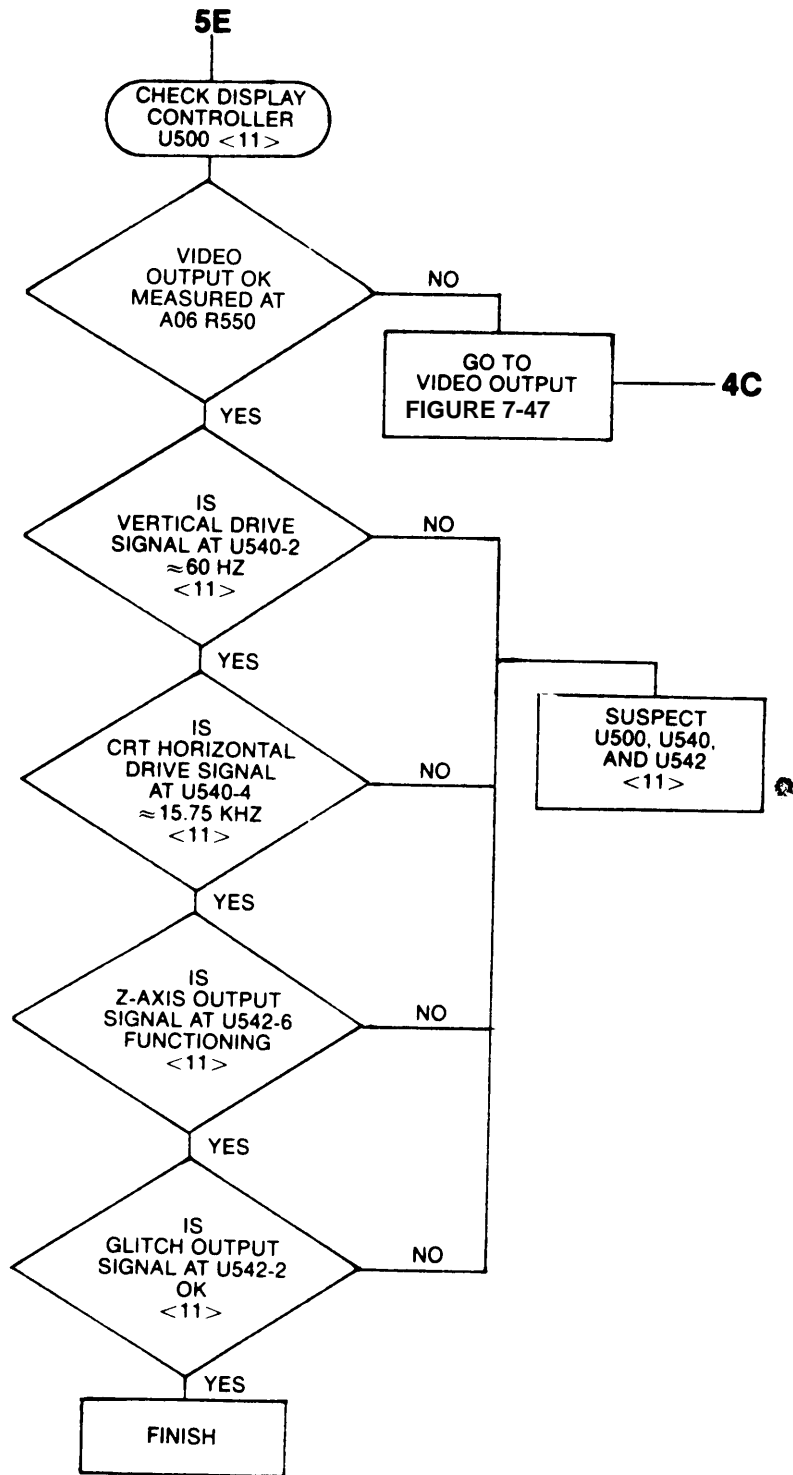


Figure 7-48. Troubleshooting Tree 5: MPU A06 (Sheet 5 of 5).

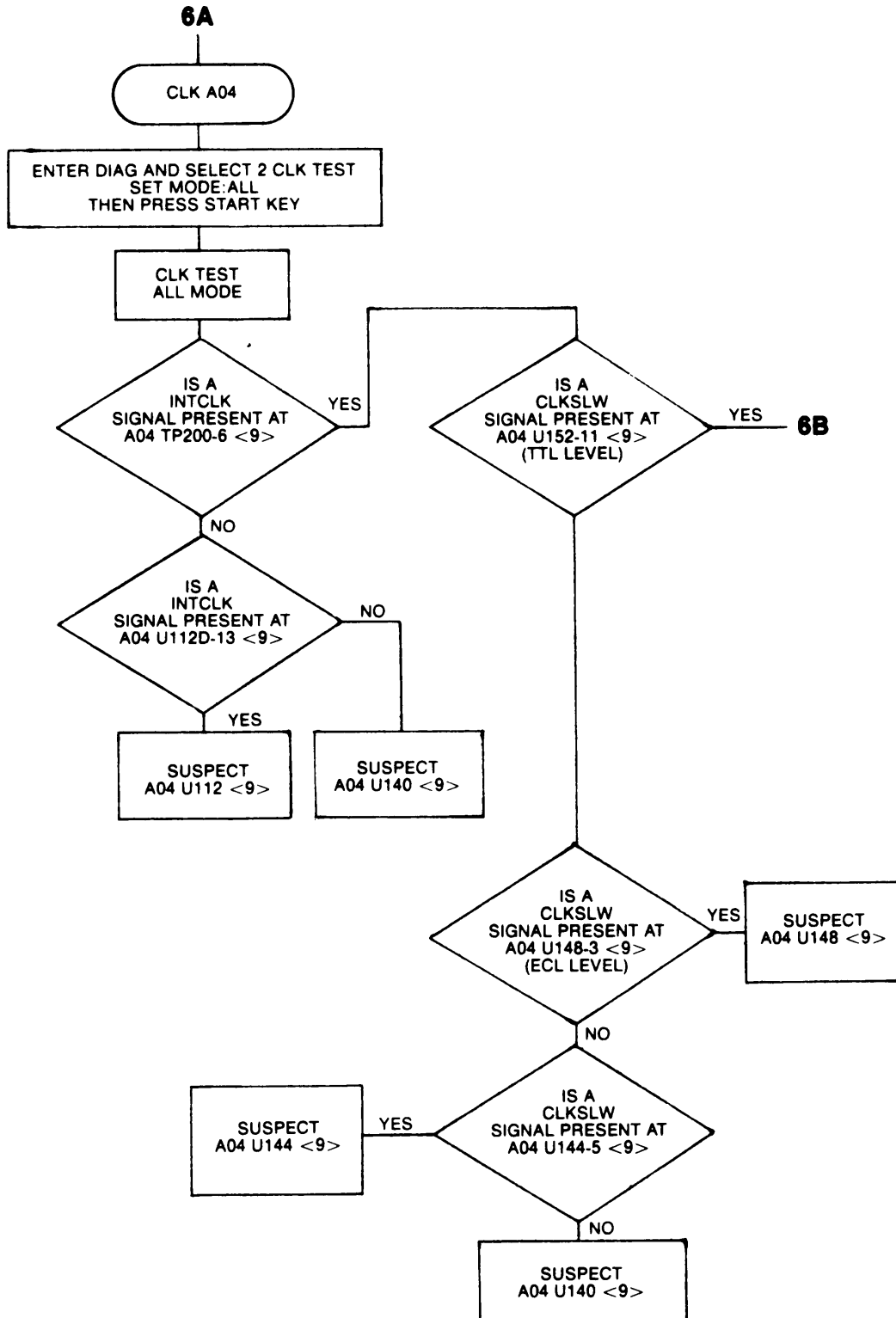


Figure 7-49. Troubleshooting Tree 6: Clock A04 (CLK) (Sheet 1 of 2).

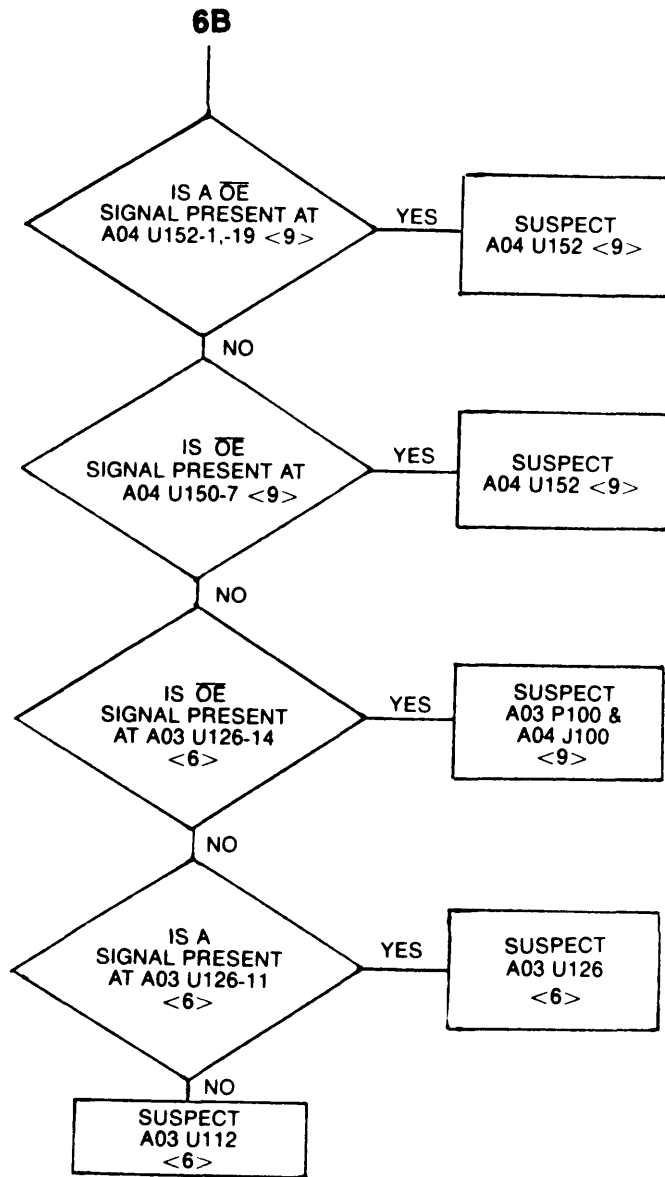


Figure 7-49. Troubleshooting Tree 6: Clock A04 (CLK) (Sheet 2 of 2).

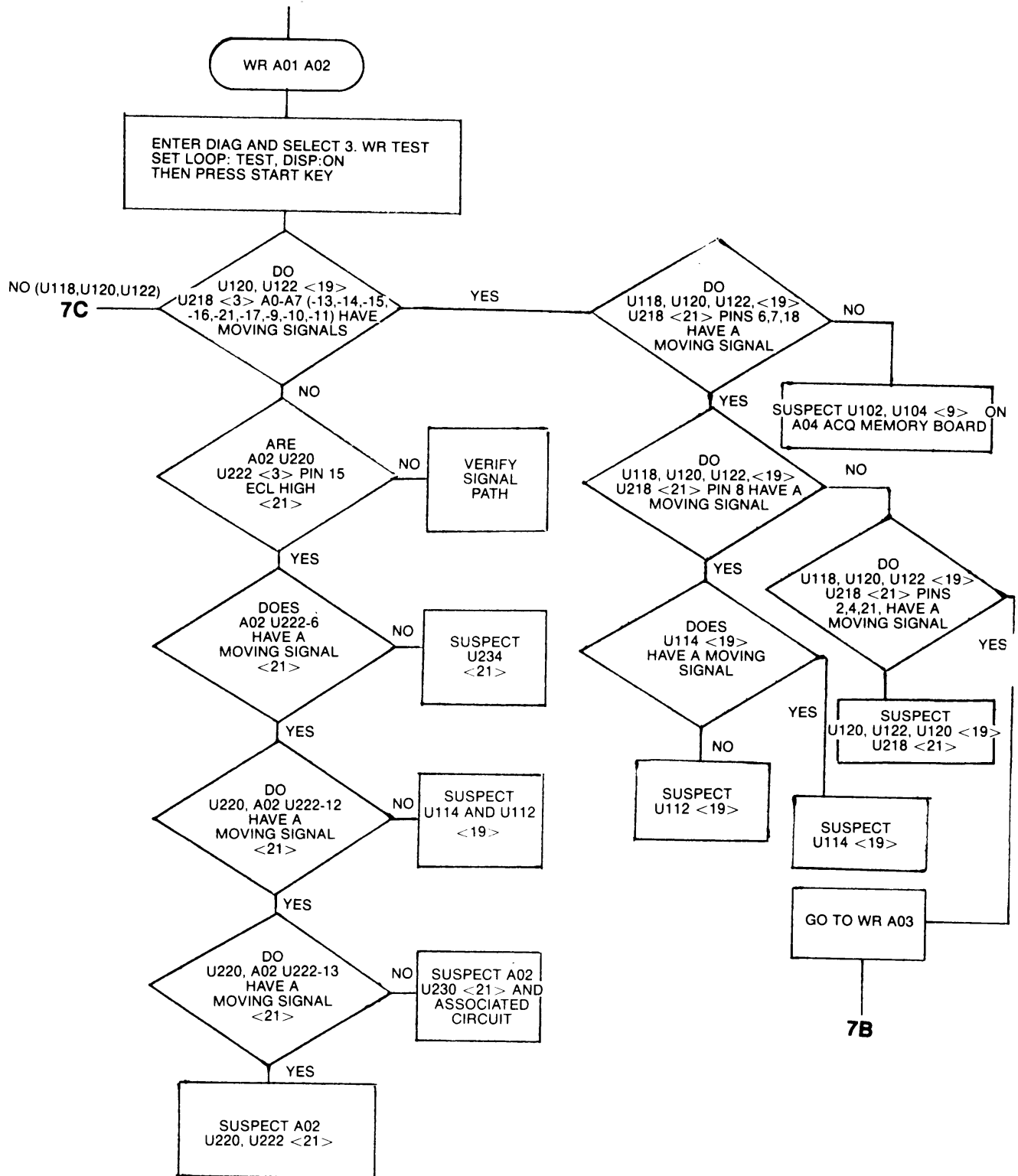


Figure 7-50. Troubleshooting Tree 7: Word Recognizer (WR A01 A02) (Sheet 1 of 4).

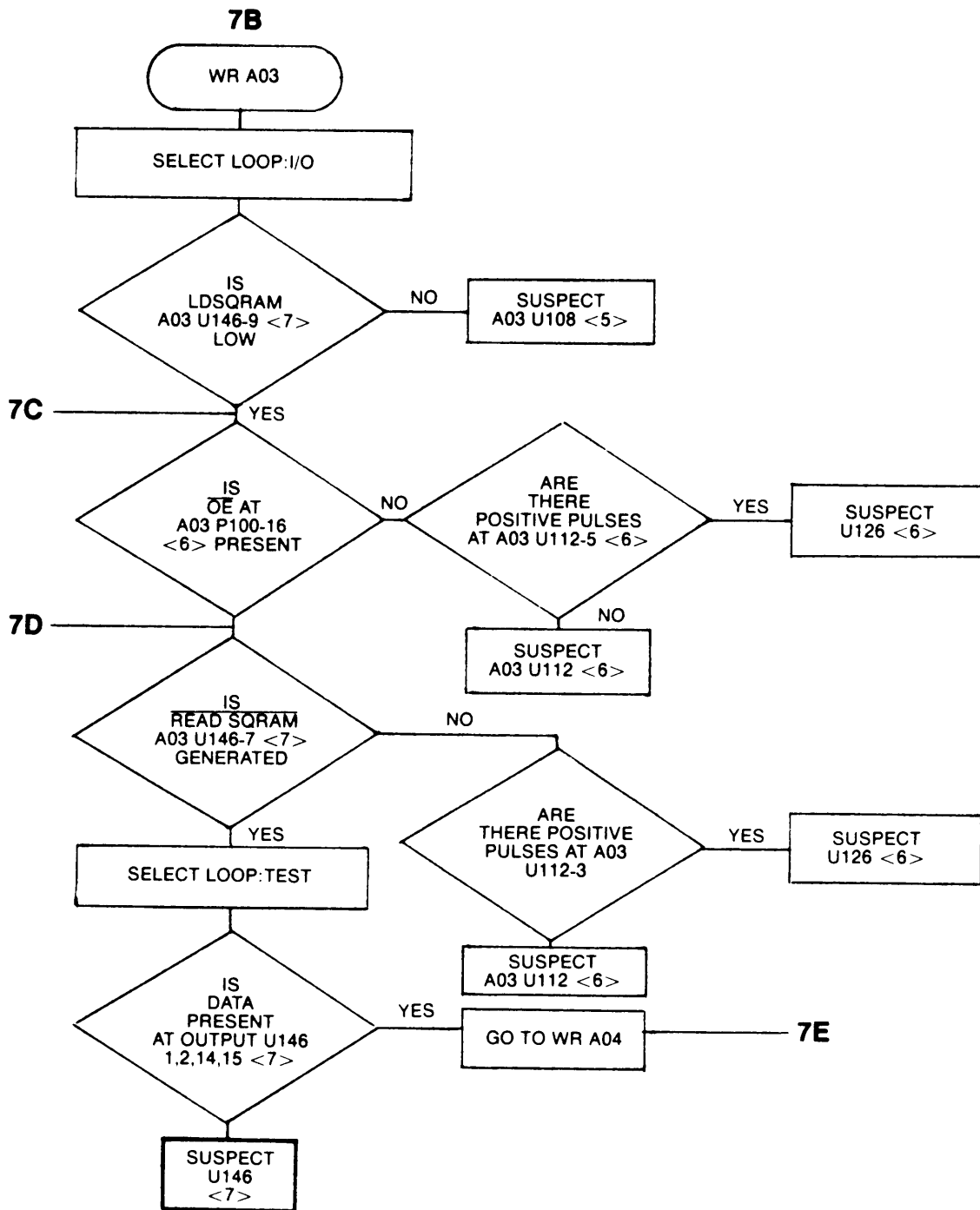


Figure 7-50. Troubleshooting Tree 7: Word Recognizer (WR A01 A02) (Sheet 2 of 4).

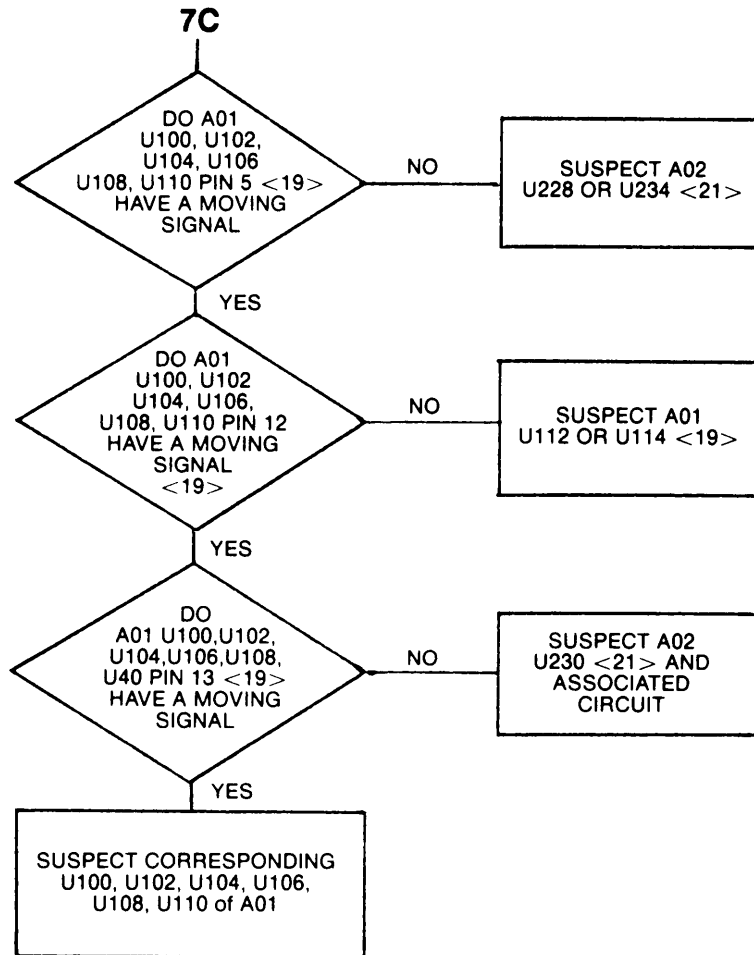


Figure 7-50. Troubleshooting Tree 7: Word Recognizer (WR A01 A02) (Sheet 3 of 4).

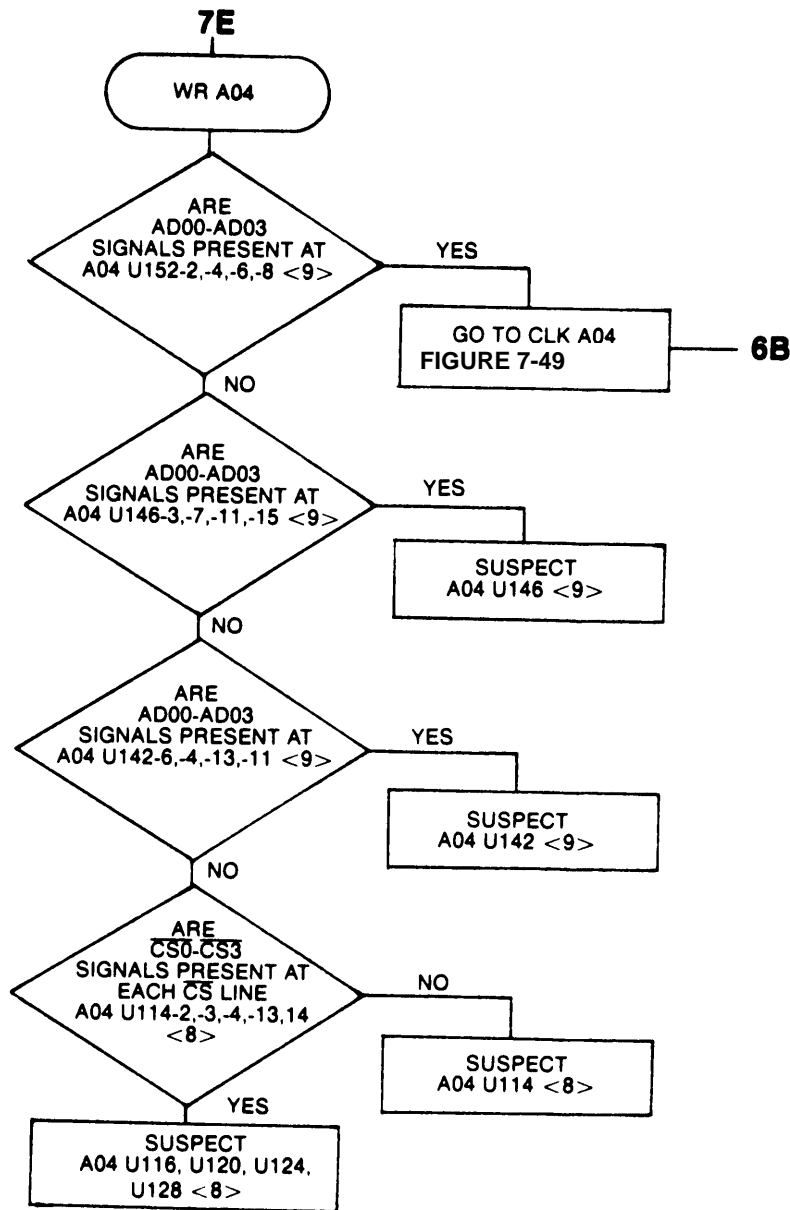


Figure 7-50. Troubleshooting Tree 7: Word Recognizer (WR A01 A02) (Sheet 4 of 4).

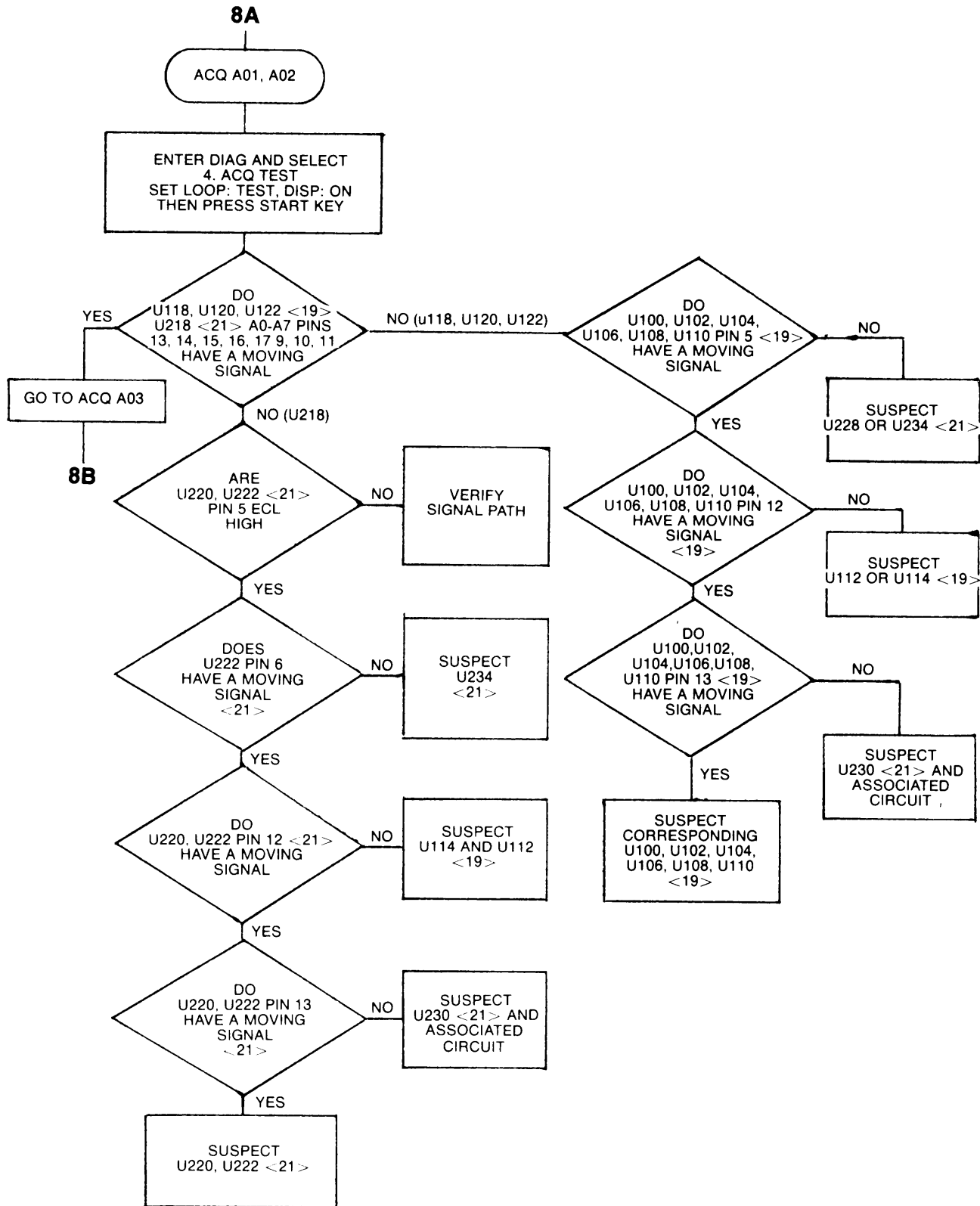


Figure 7-51. Troubleshooting Tree 8: Data Acquisition (ACQ A01 A02) (Sheet 1 of 7).

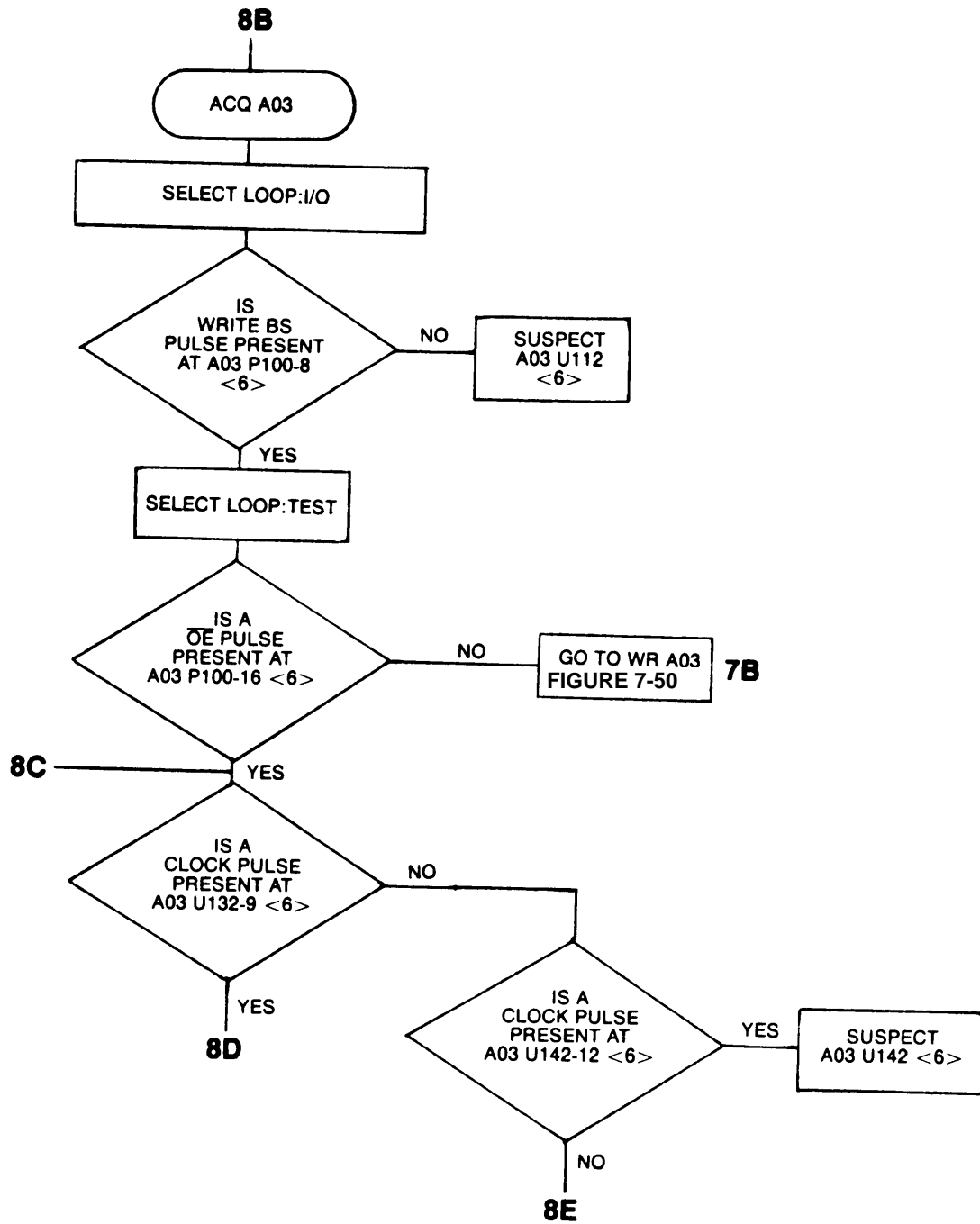


Figure 7-51. Troubleshooting Tree 8: Data Acquisition (ACQ A01 A02) (Sheet 2 of 7).

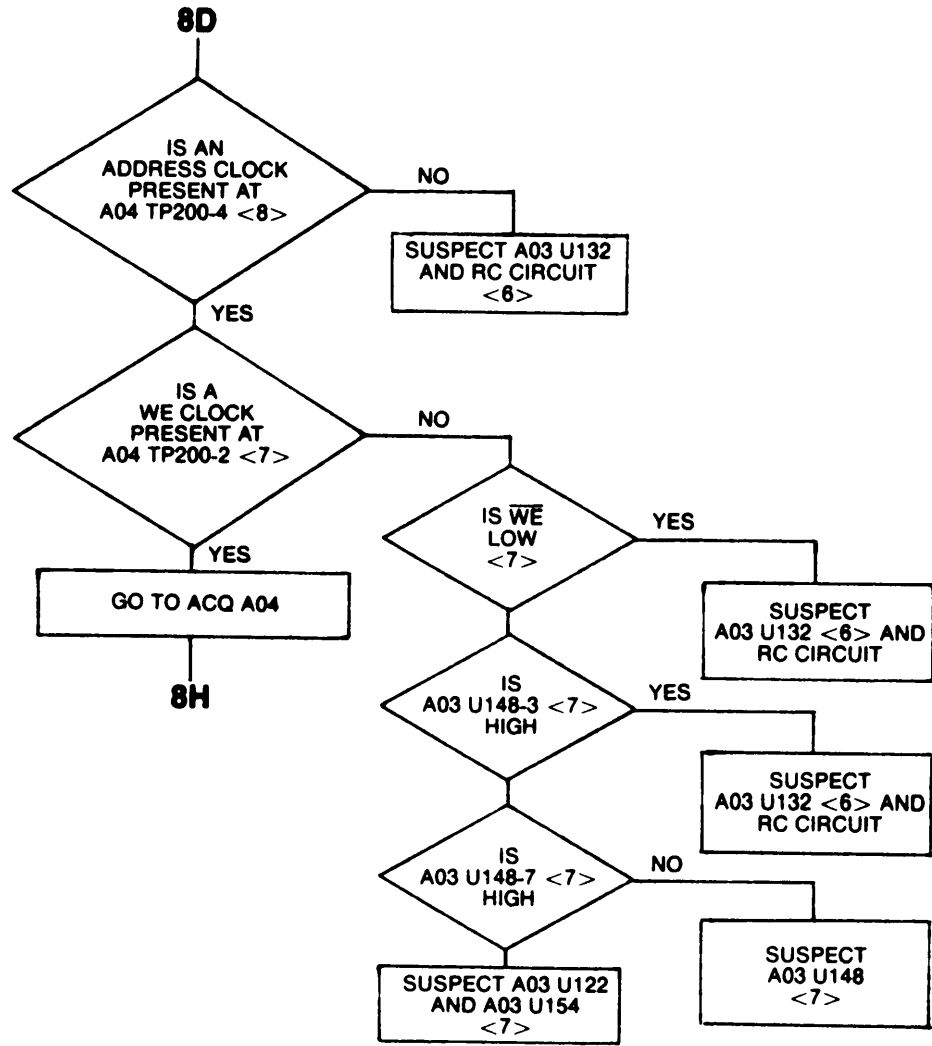


Figure 7-51. Troubleshooting Tree 8: Data Acquisition (ACQ A01 A02) (Sheet 3 of 7).

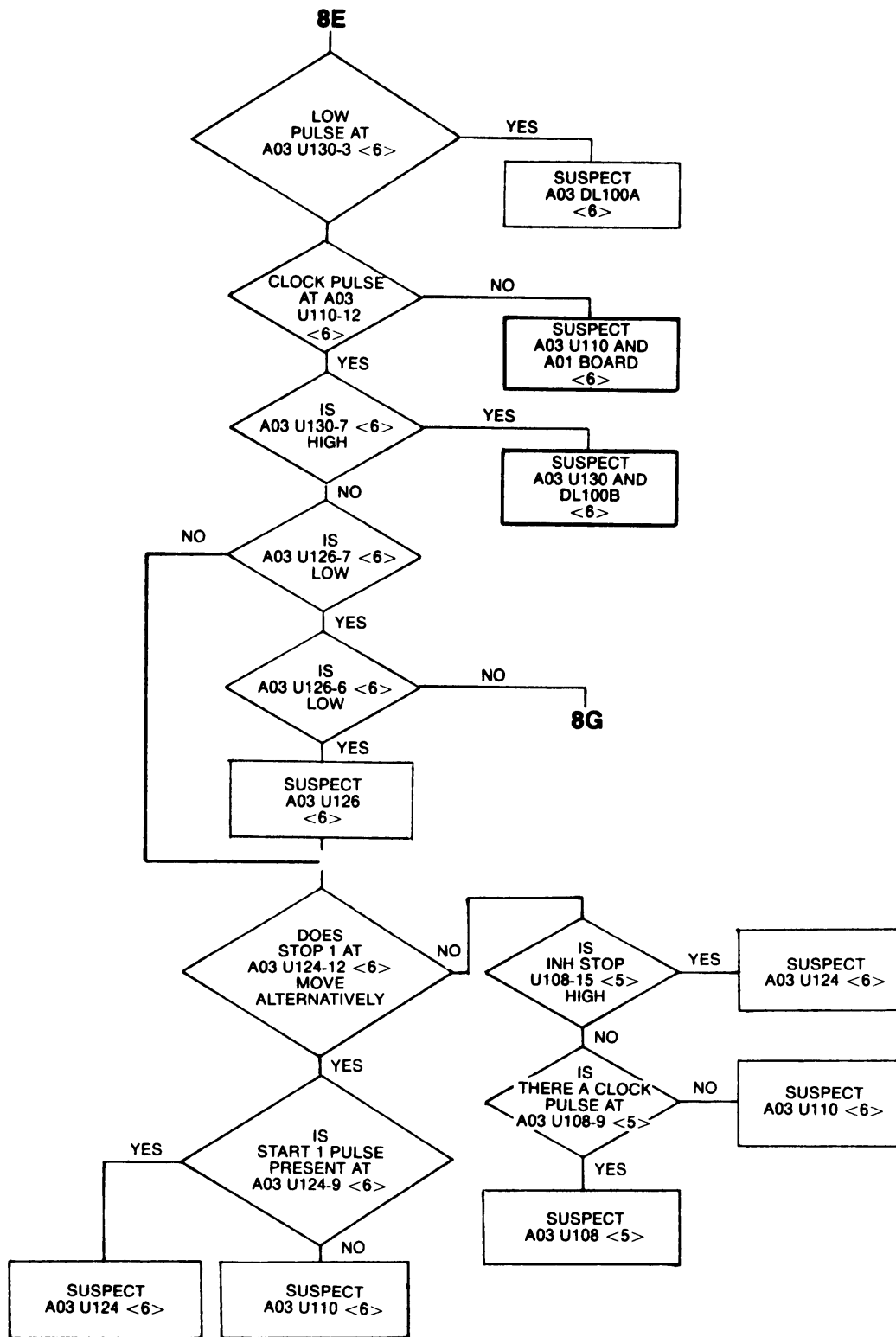


Figure 7-51. Troubleshooting Tree 8: Data Acquisition (ACQ A01 A02) (Sheet 4 of 7).

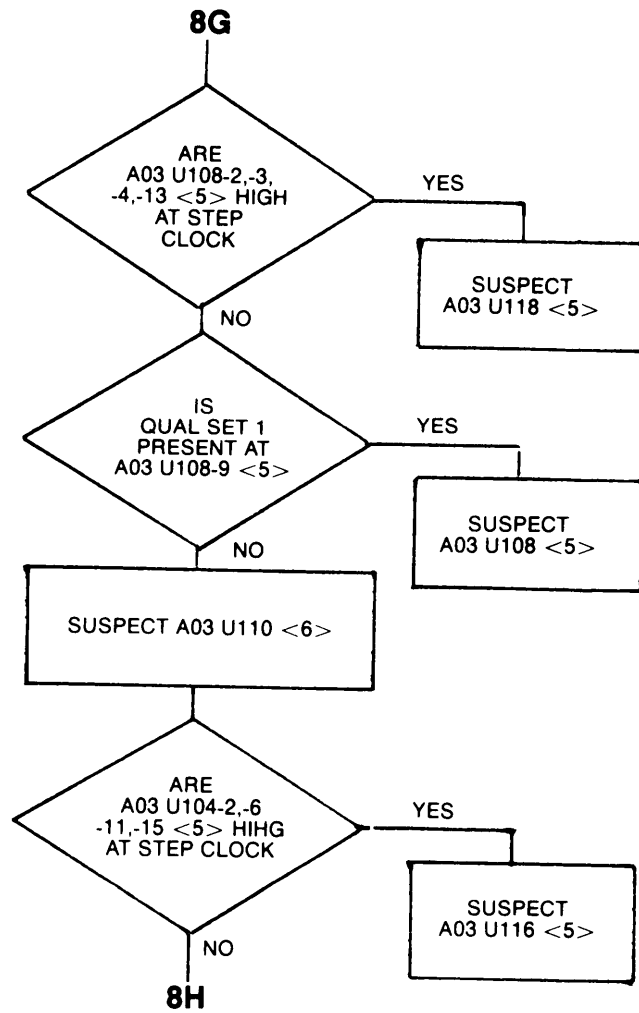


Figure 7-51. Troubleshooting Tree 8: Data Acquisition (ACQ A01 A02) (Sheet 5 of 7).

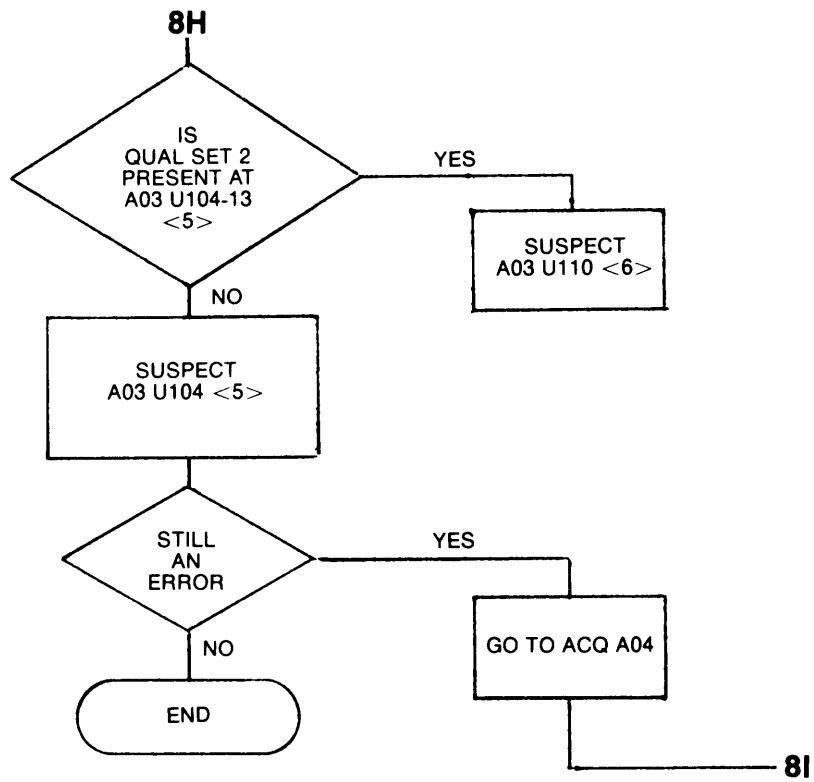


Figure 7-51. Troubleshooting Tree 8: Data Acquisition (ACQ A01 A02) (Sheet 6 of 7).

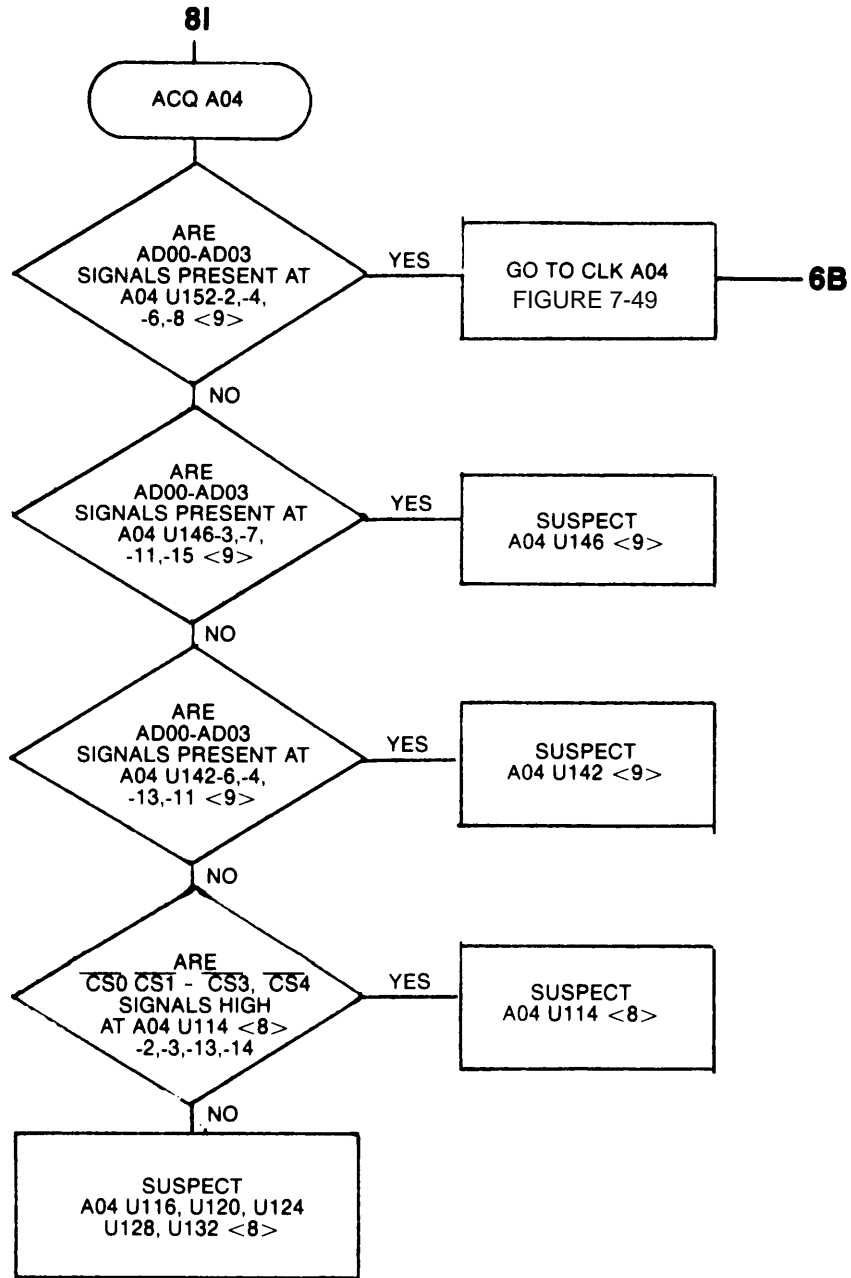


Figure 7-51. Troubleshooting Tree 8: Data Acquisition (ACQ A01 A02) (Sheet 7 of 7).

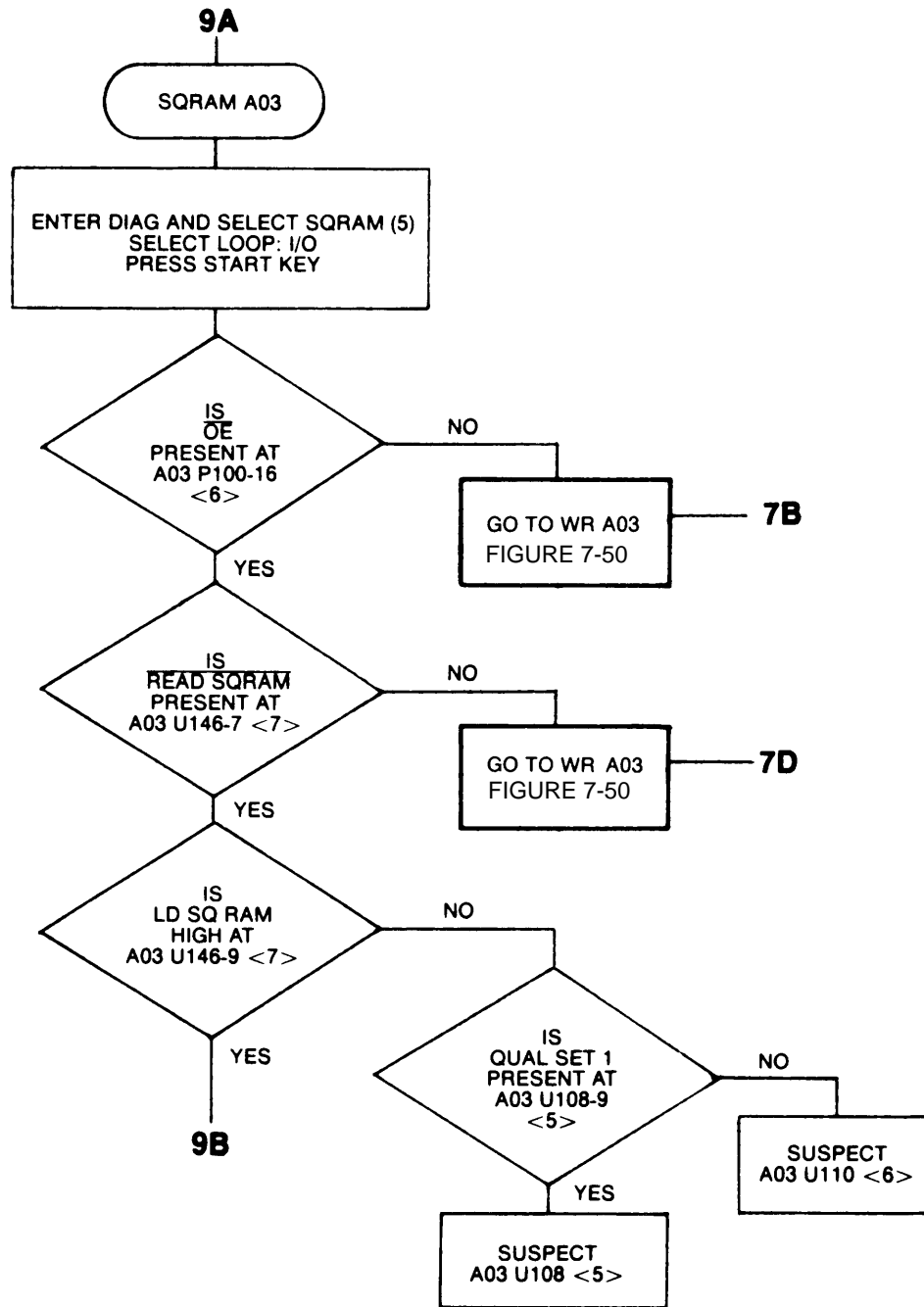


Figure 7-52. Troubleshooting Tree 9: SQRAM A03 (Sheet 1 of 4).

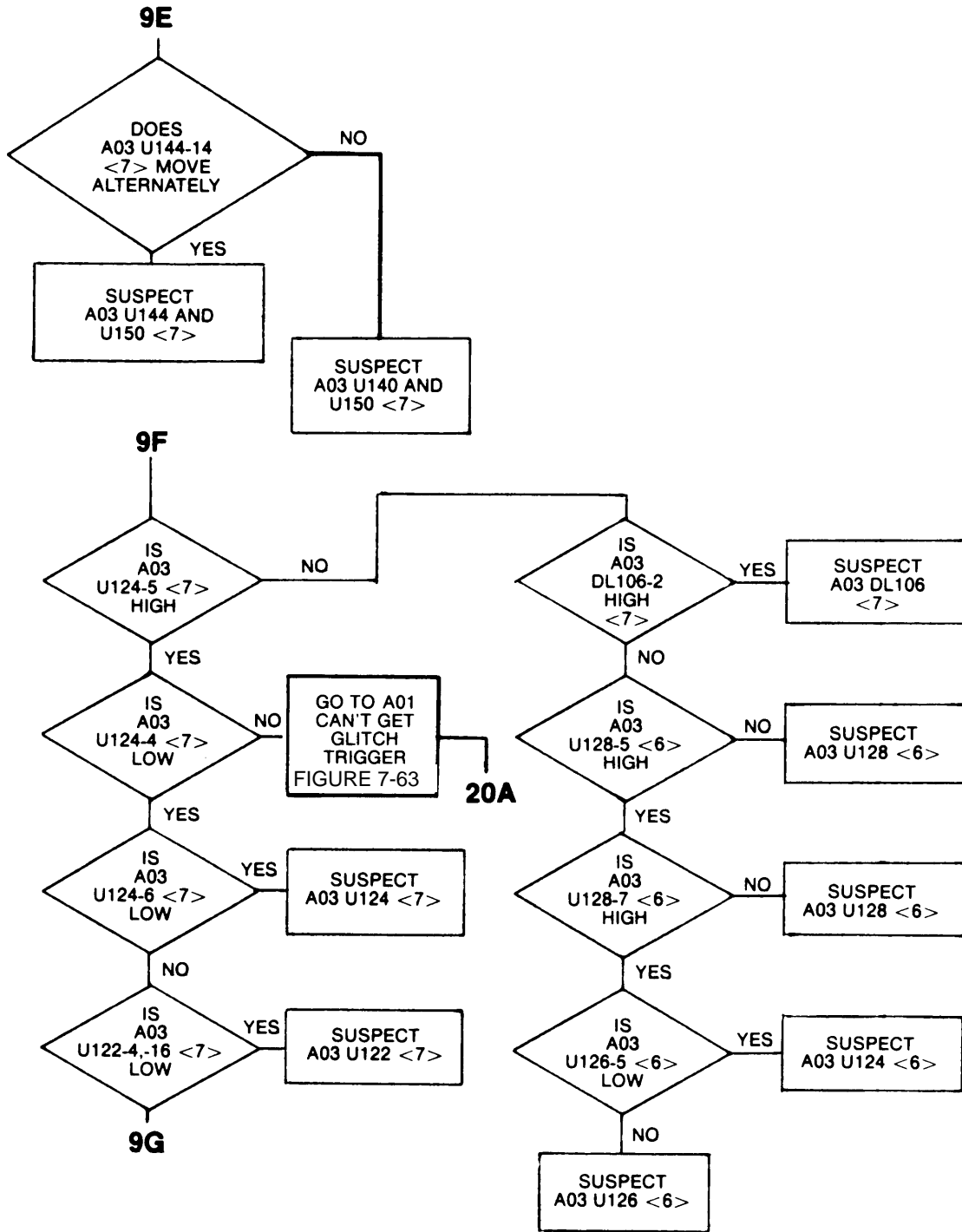


Figure 7-52. Troubleshooting Tree 9: SQRAM A03 (Sheet 3 of 4).

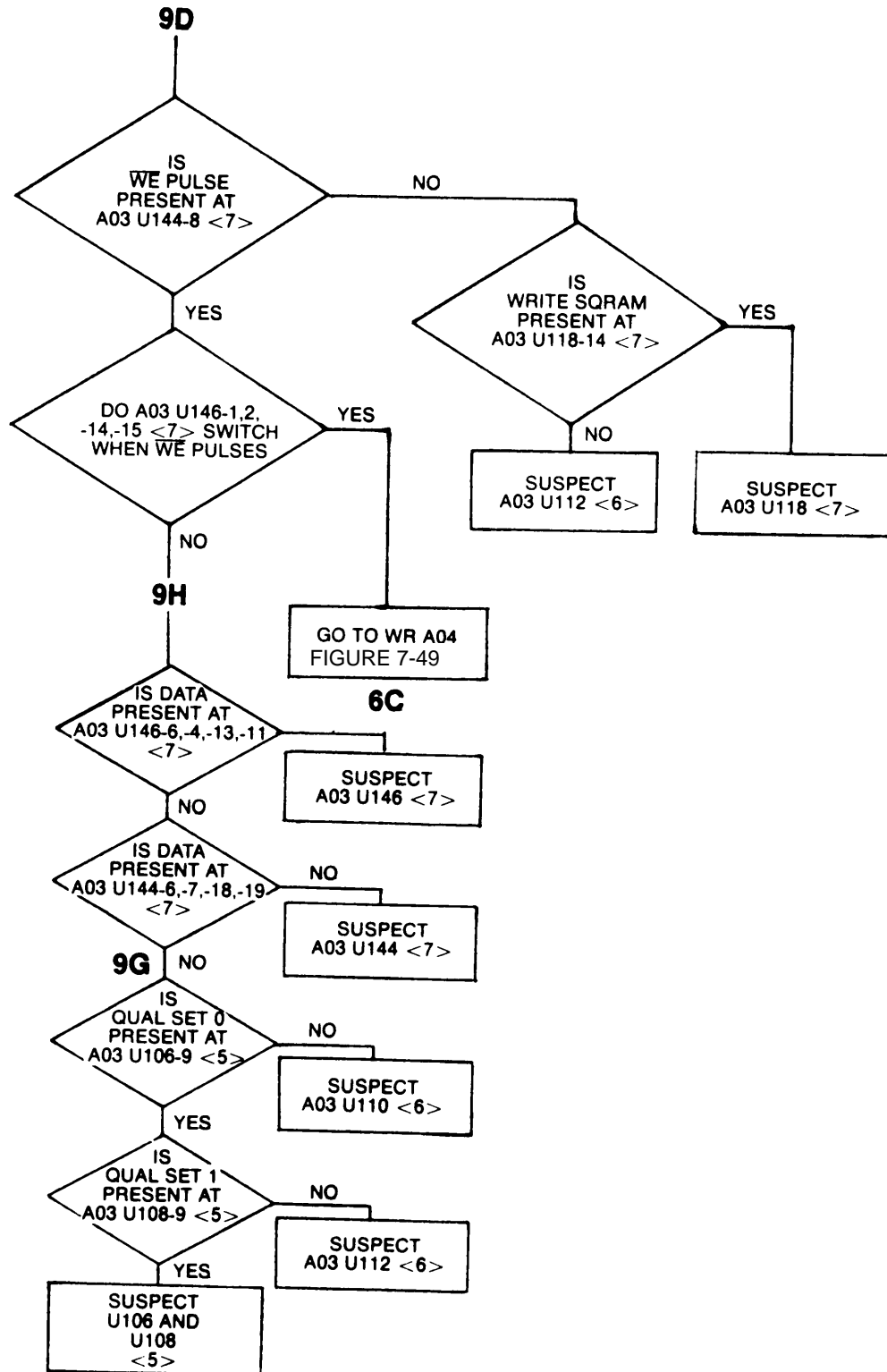


Figure 7-52. Troubleshooting Tree 9: SGRAM A03 (Sheet 4 of 4).

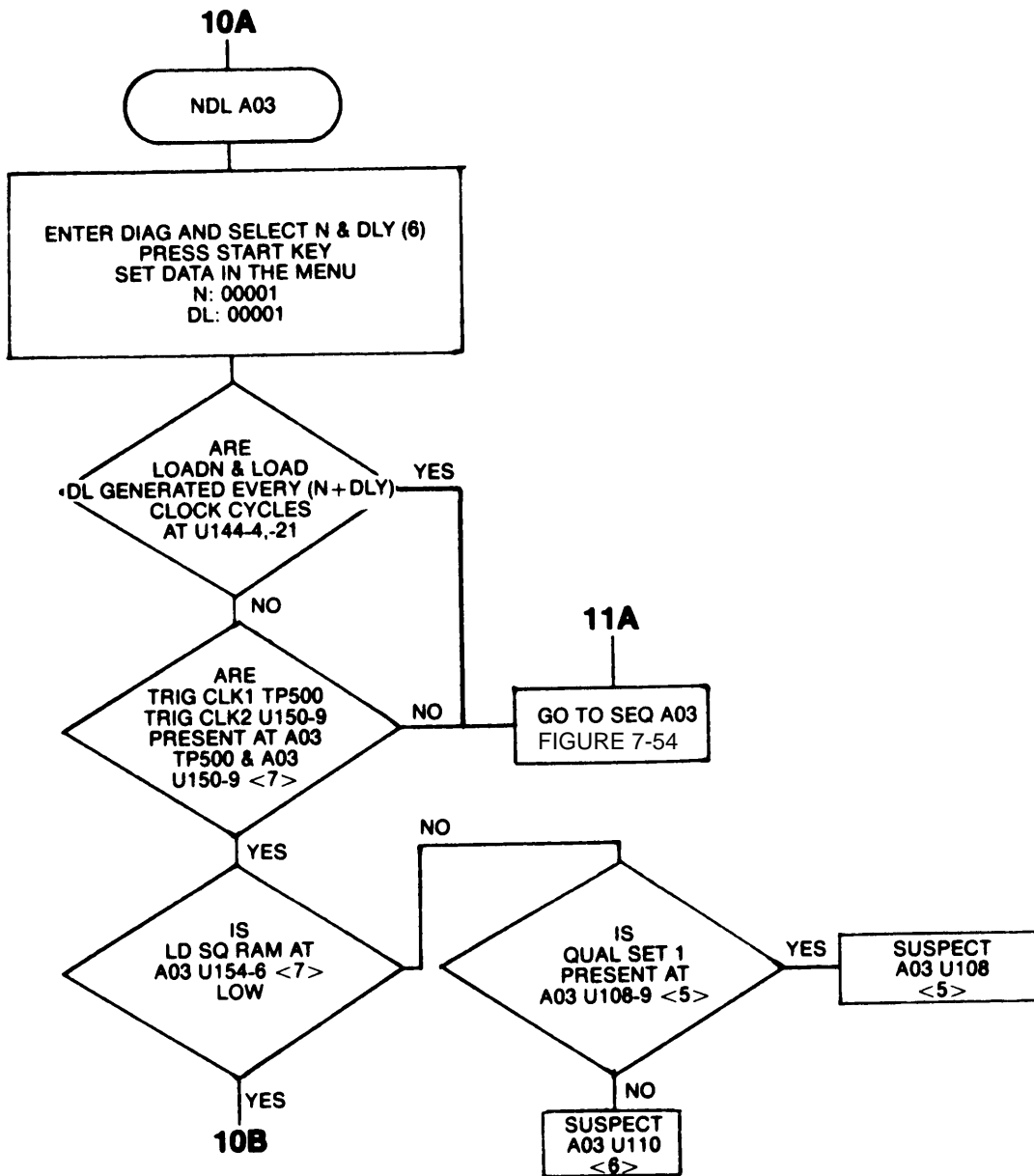


Figure 7-53. Troubleshooting Tree 10: NDL A03 (Sheet 1 of 2).

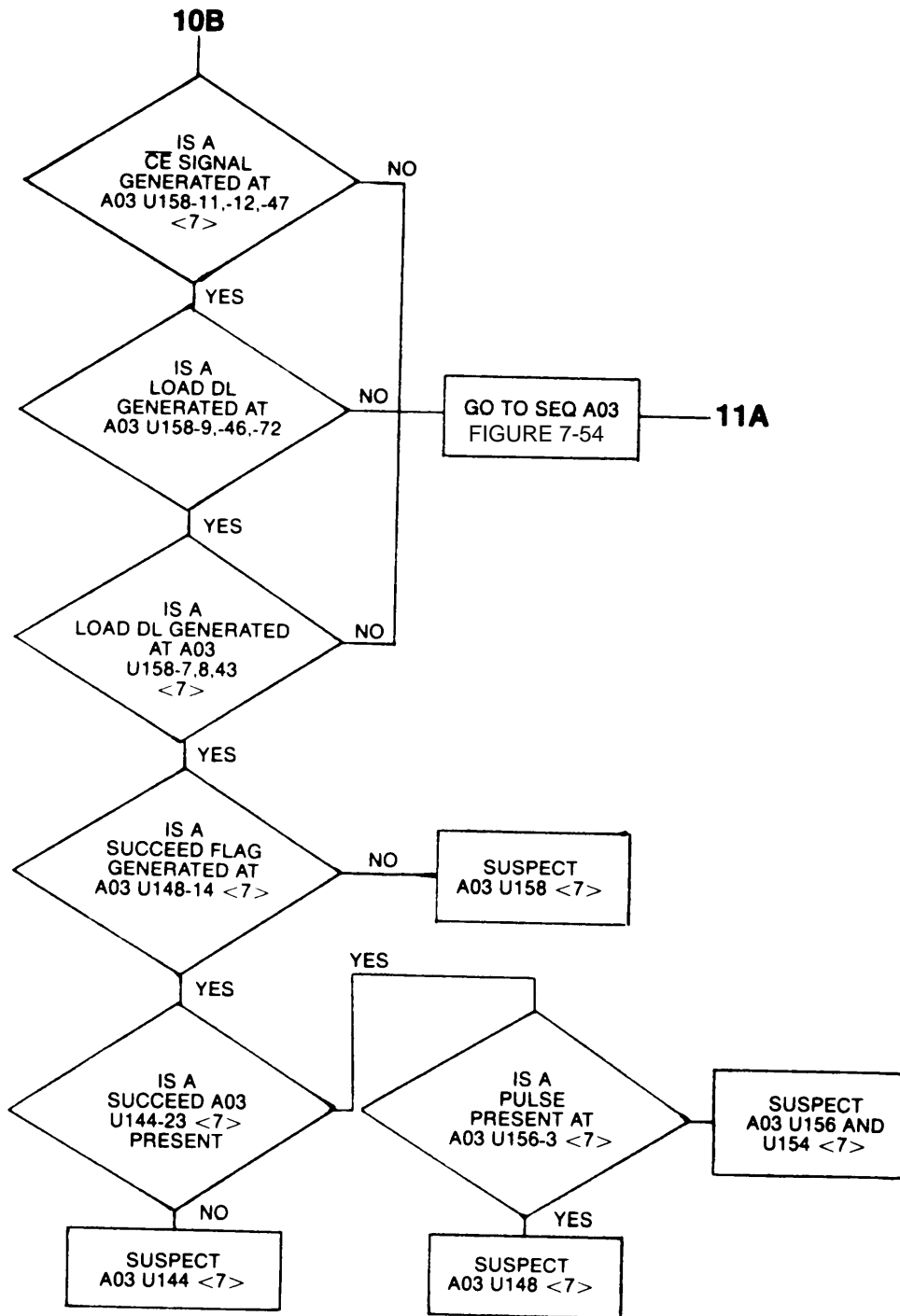


Figure 7-53. Troubleshooting Tree 10: NDL A03 (Sheet 2 of 2).

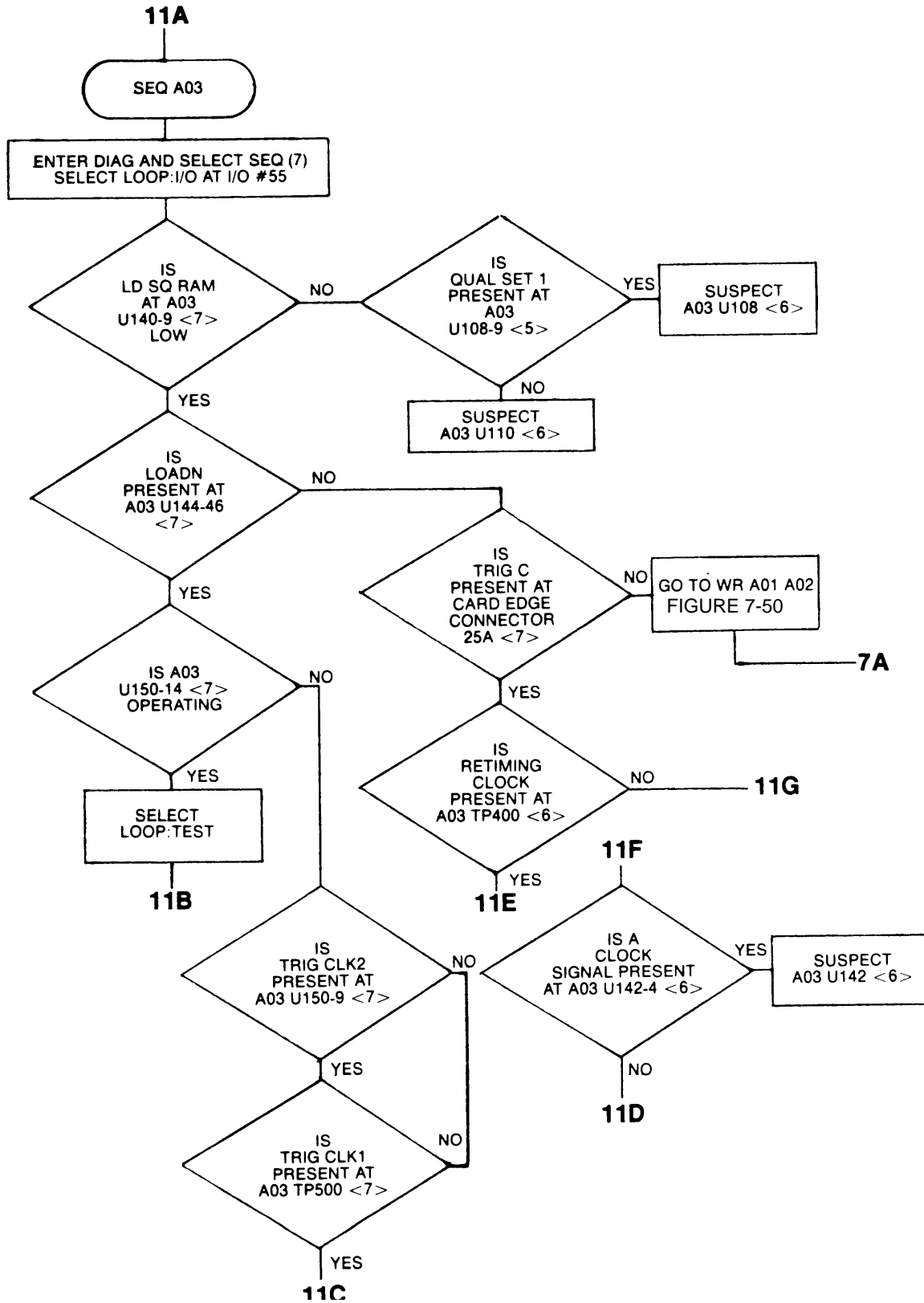


Figure 7-54. Troubleshooting Tree 11: SEQ A03 (Sheet 1 of 4).

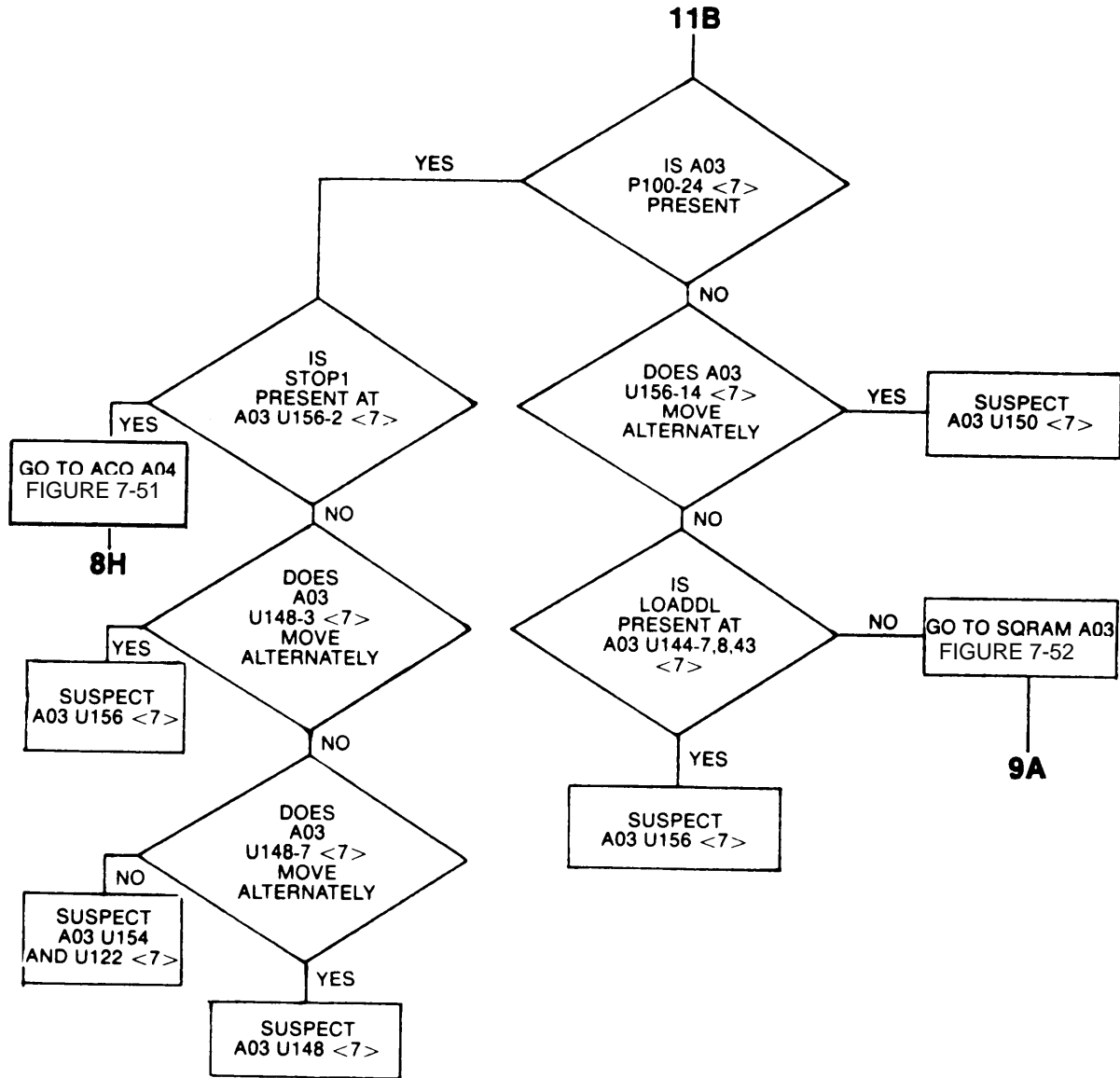


Figure 7-54. Troubleshooting Tree 11: SEQ A03 (Sheet 2 of 4).

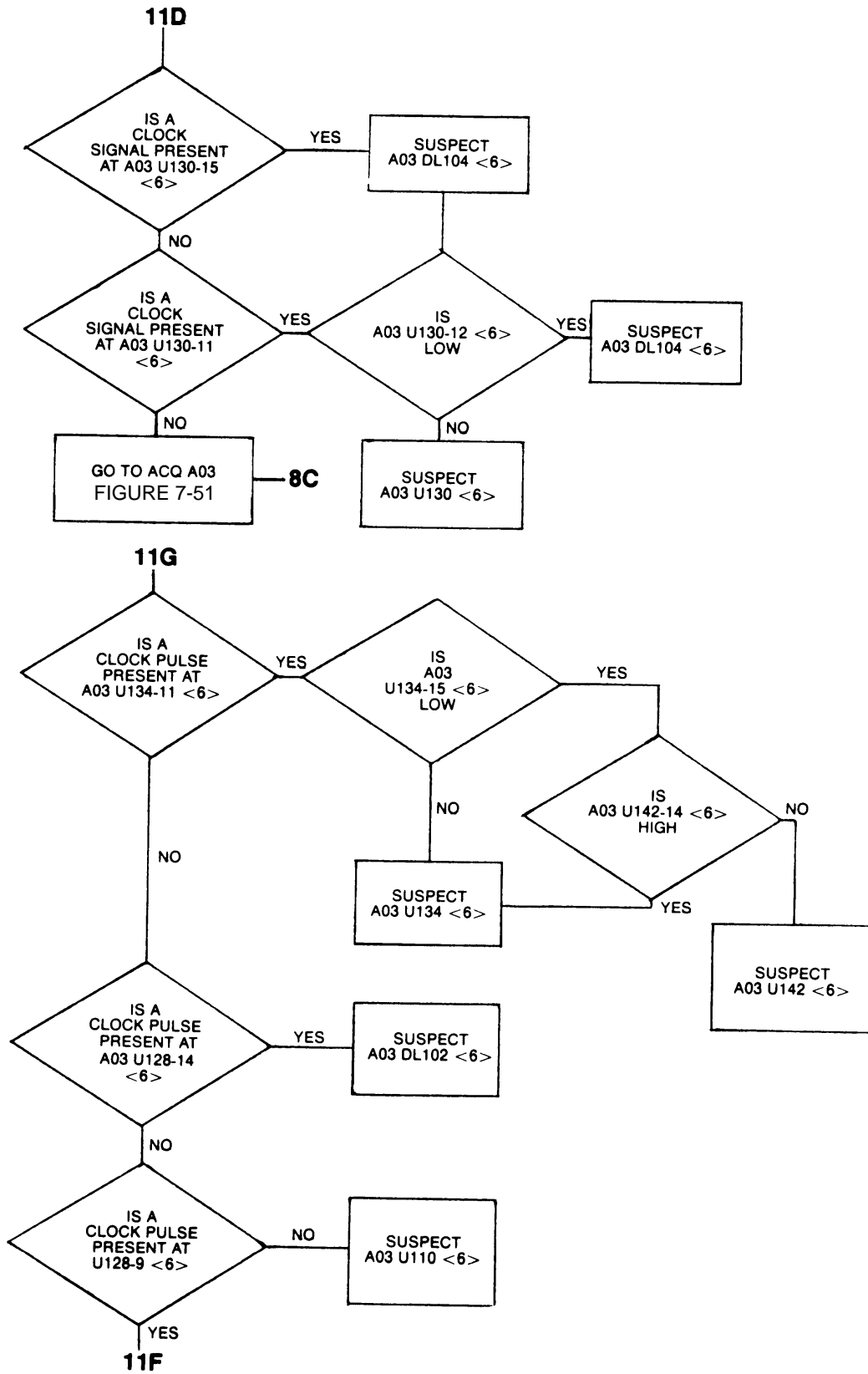


Figure 7-54. Troubleshooting Tree 11: SEQ A03 (Sheet 3 of 4)

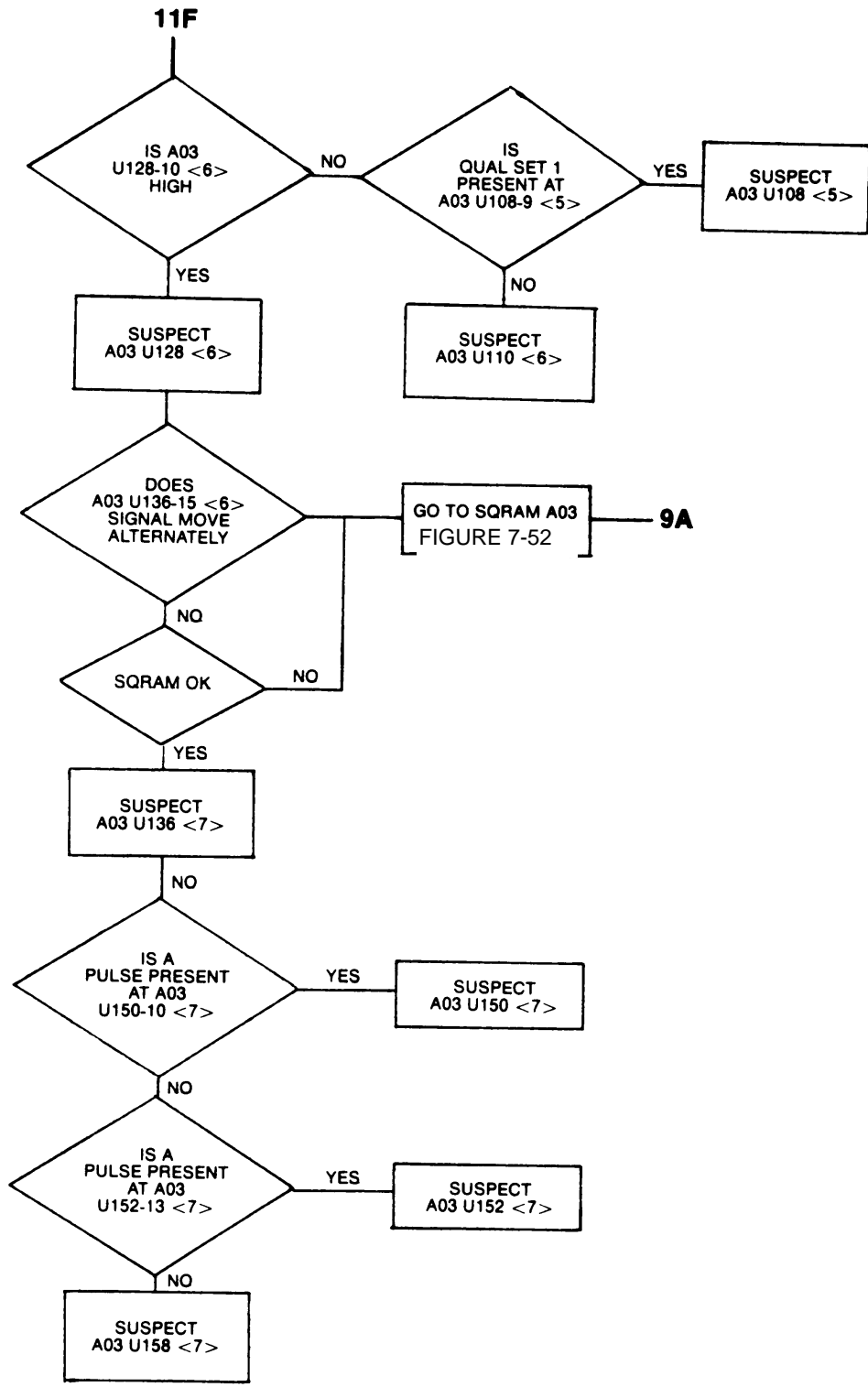


Figure 7-54. Troubleshooting Tree 11: SEQ A03 (Sheet 4 of 4),.

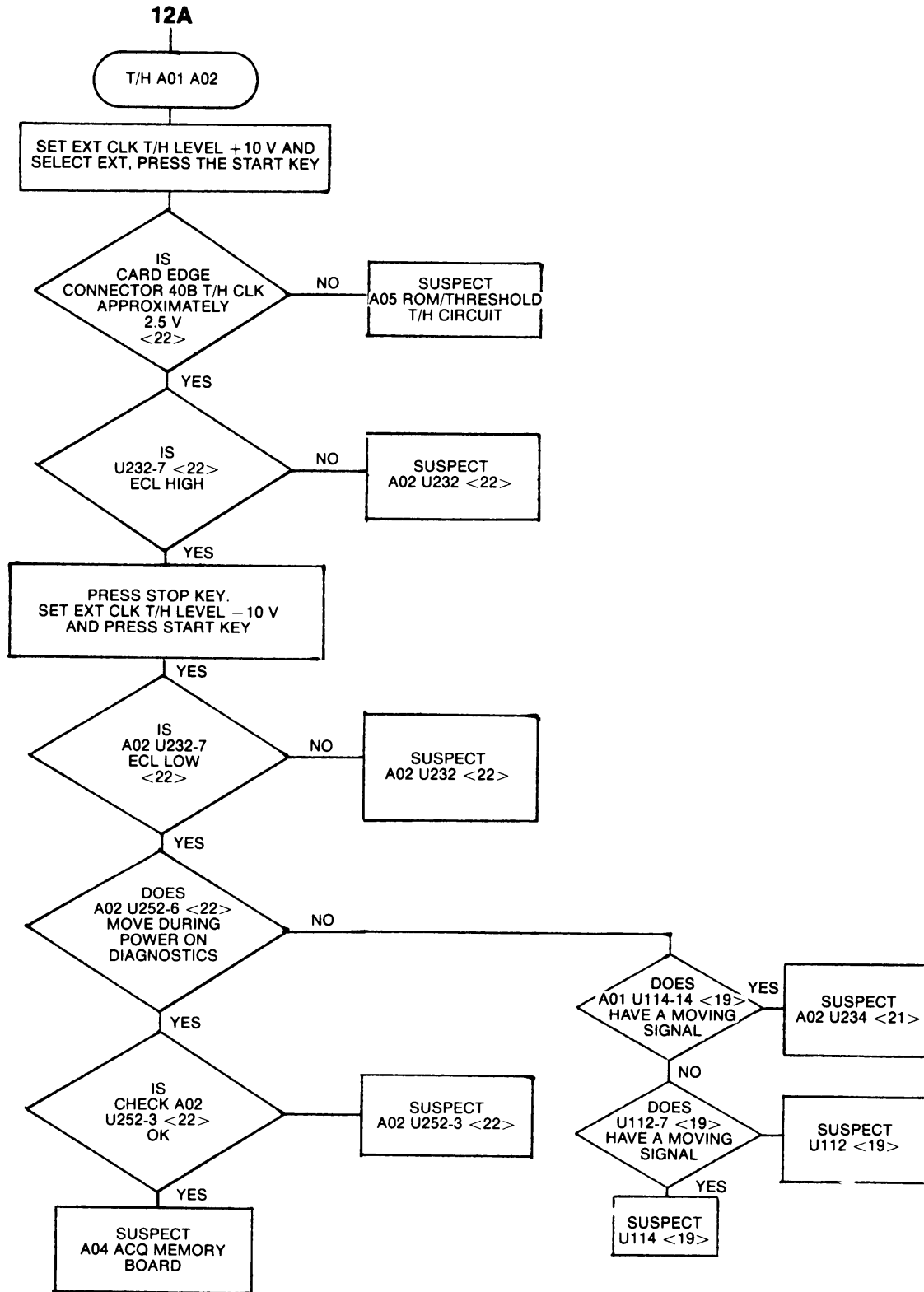


Figure 7-55. Troubleshooting Tree 12: T/H A01 A02

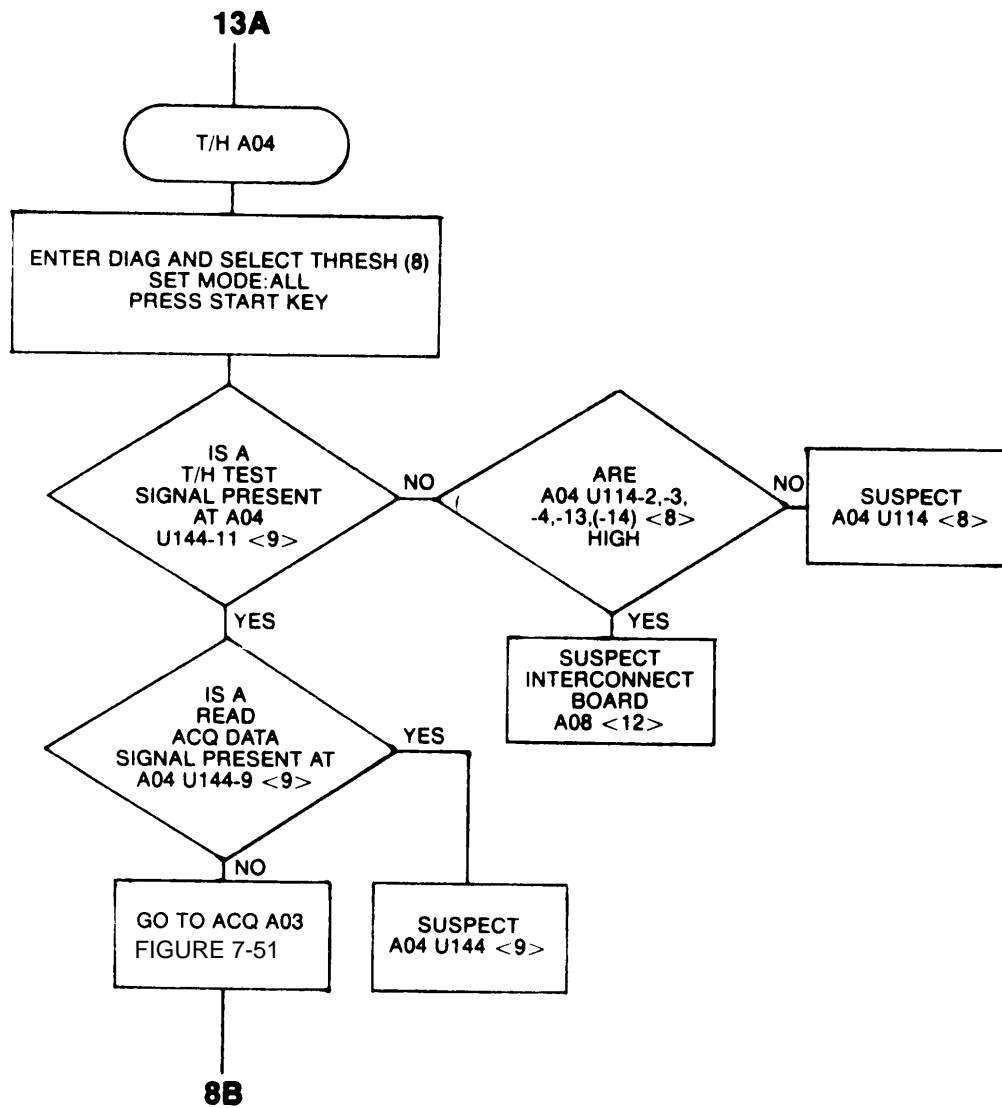


Figure 7-56. Troubleshooting Tree 13: T/H A04.

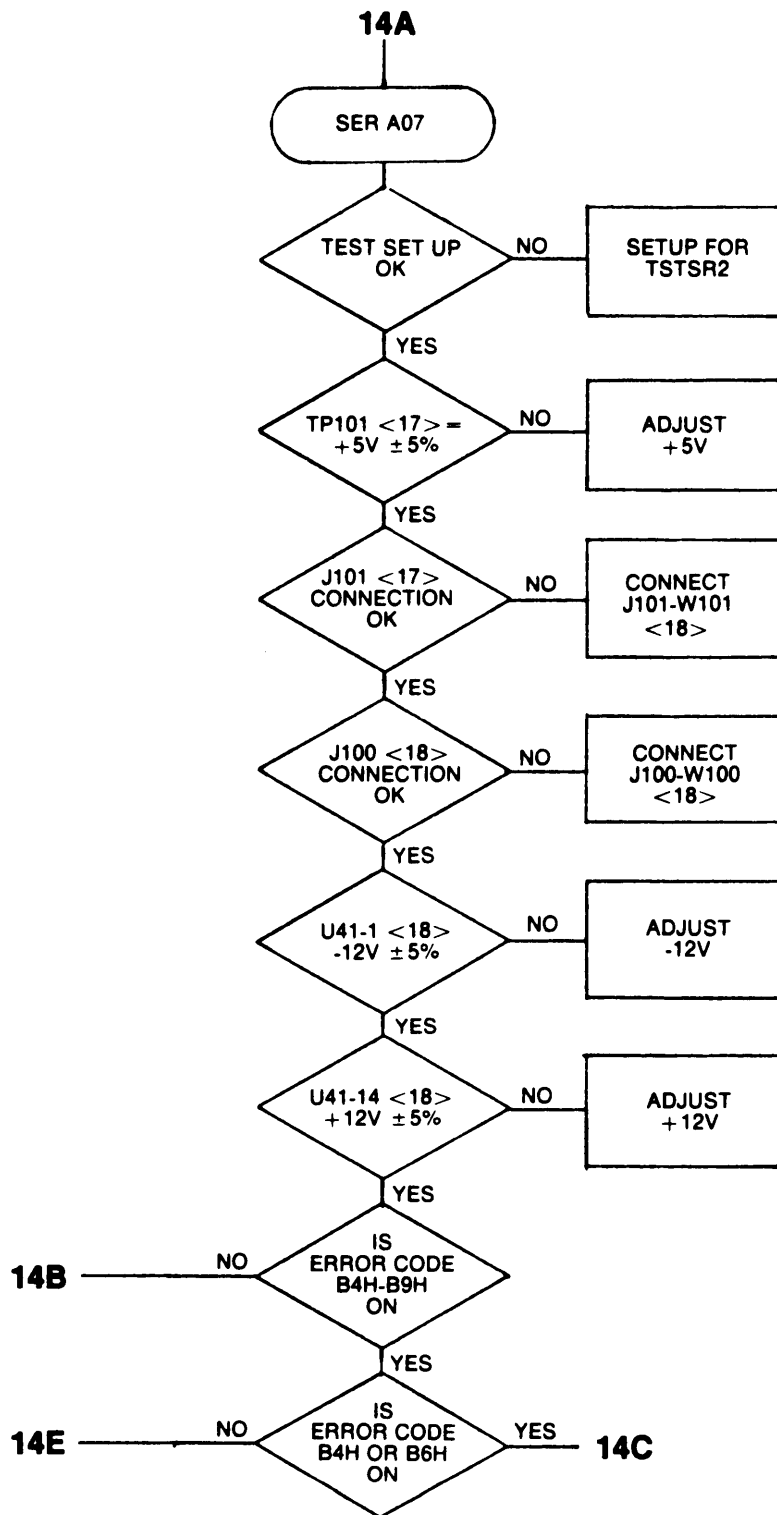


Figure 7-57. Troubleshooting Tree 14: SER A07 TSTSR2 (Sheet 1 of 4).

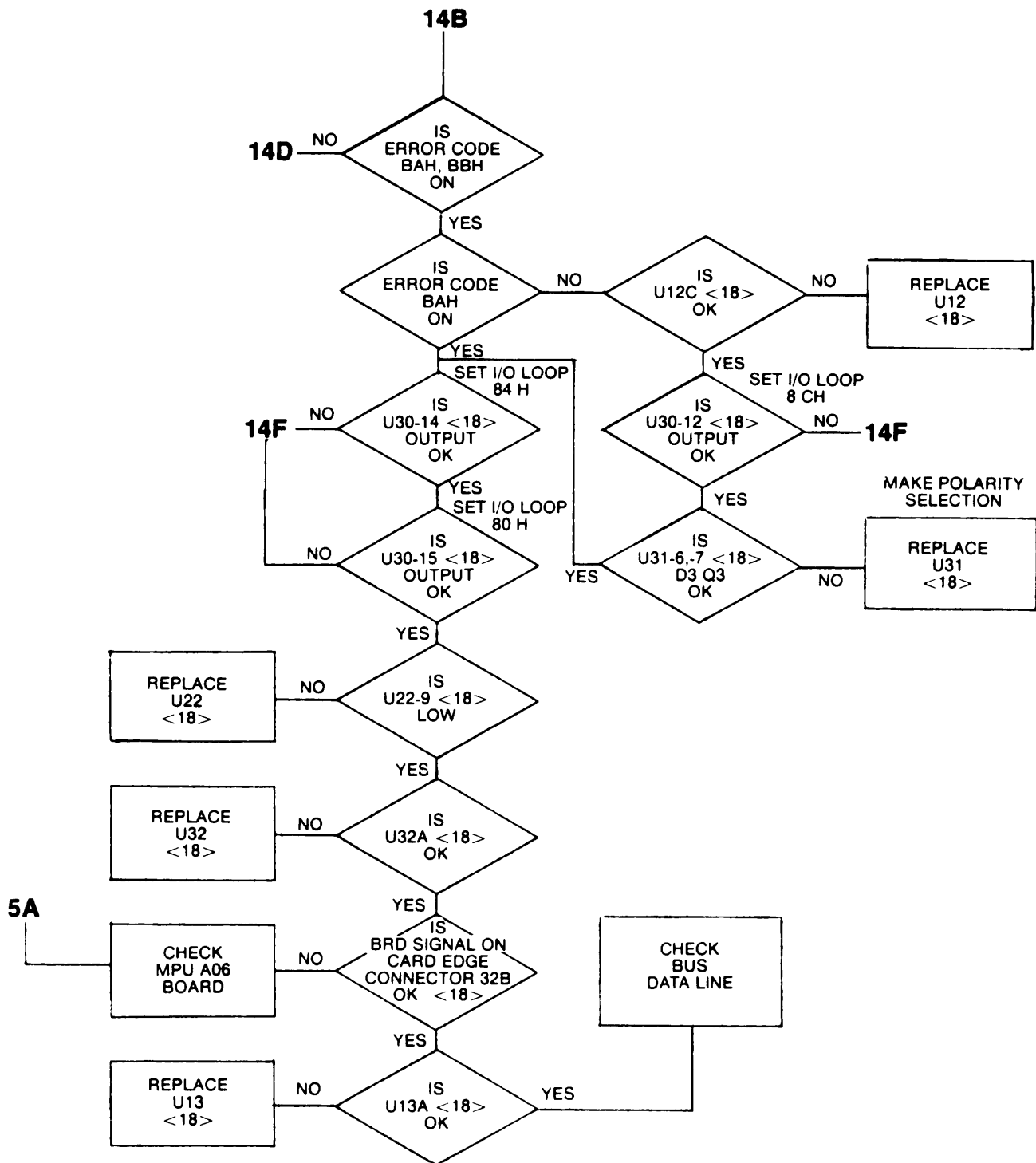


Figure 7-57. Troubleshooting Tree 14: SER A07 TSTR2 (Sheet 2 of 4).

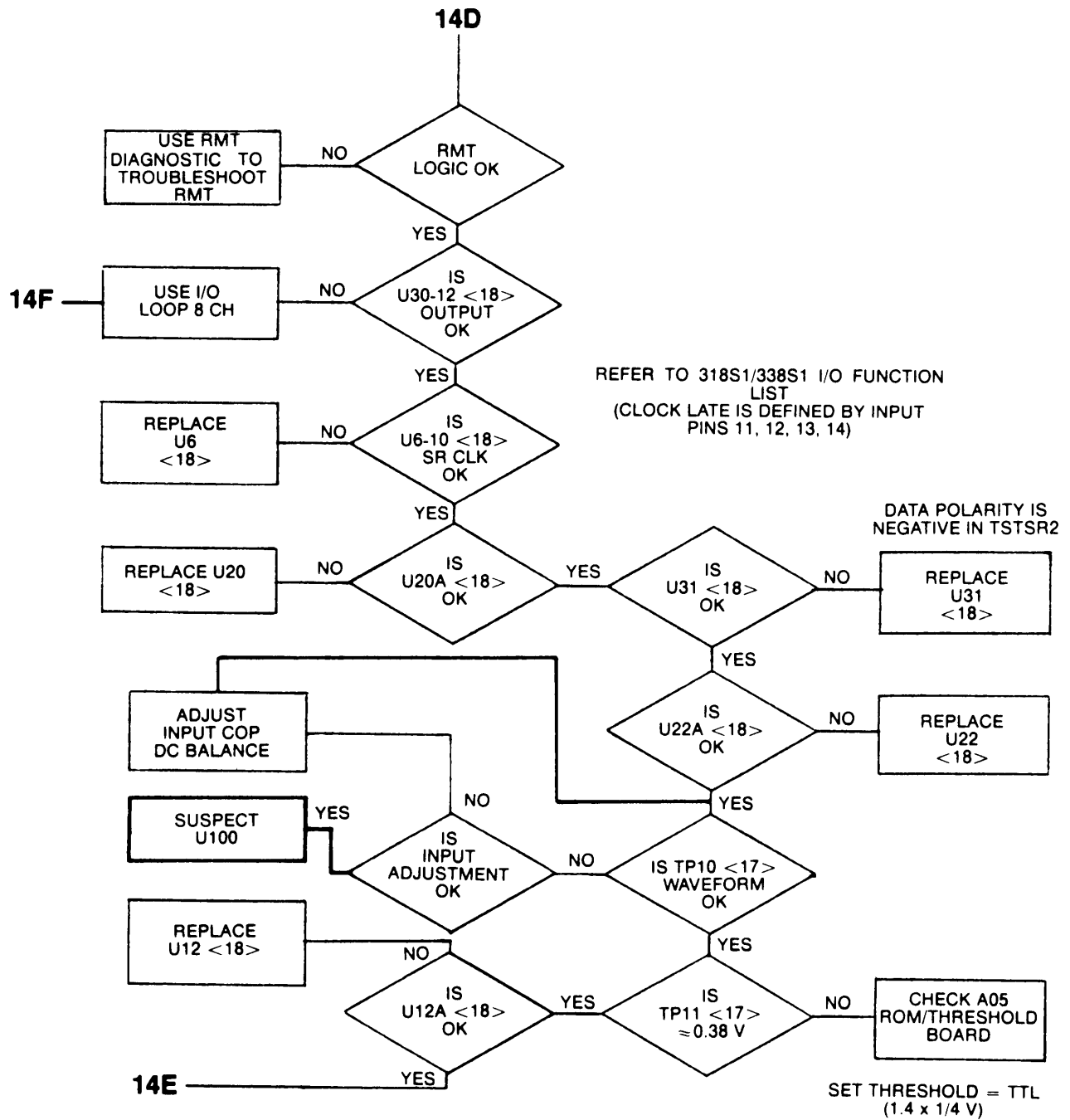


Figure 7-57. Troubleshooting Tree 14: SER A07 TSTSR2 (Sheet 3 of 4).

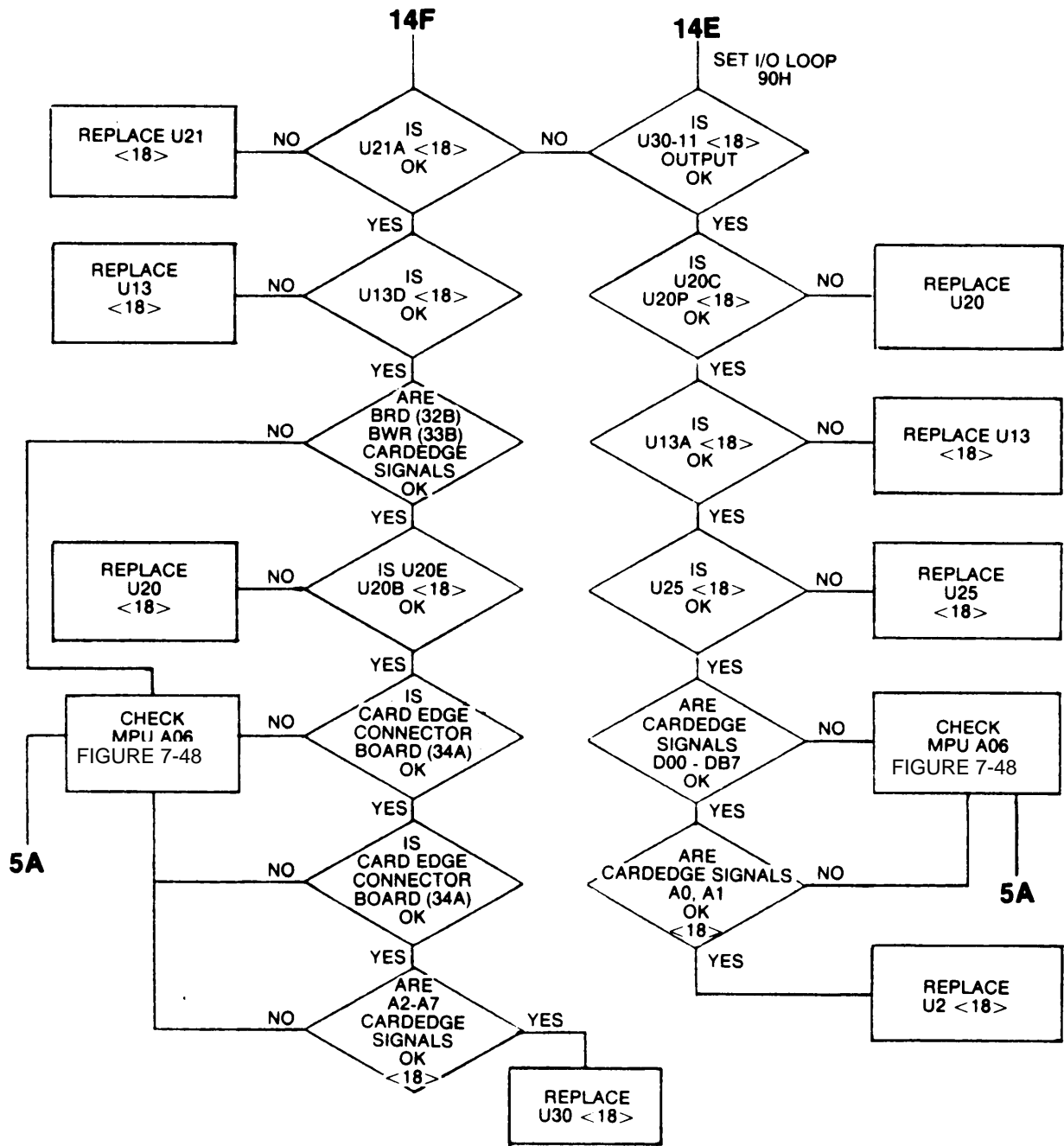


Figure 7-57. Troubleshooting Tree 14: SER A07 TSTR2 (Sheet 4 of 4).

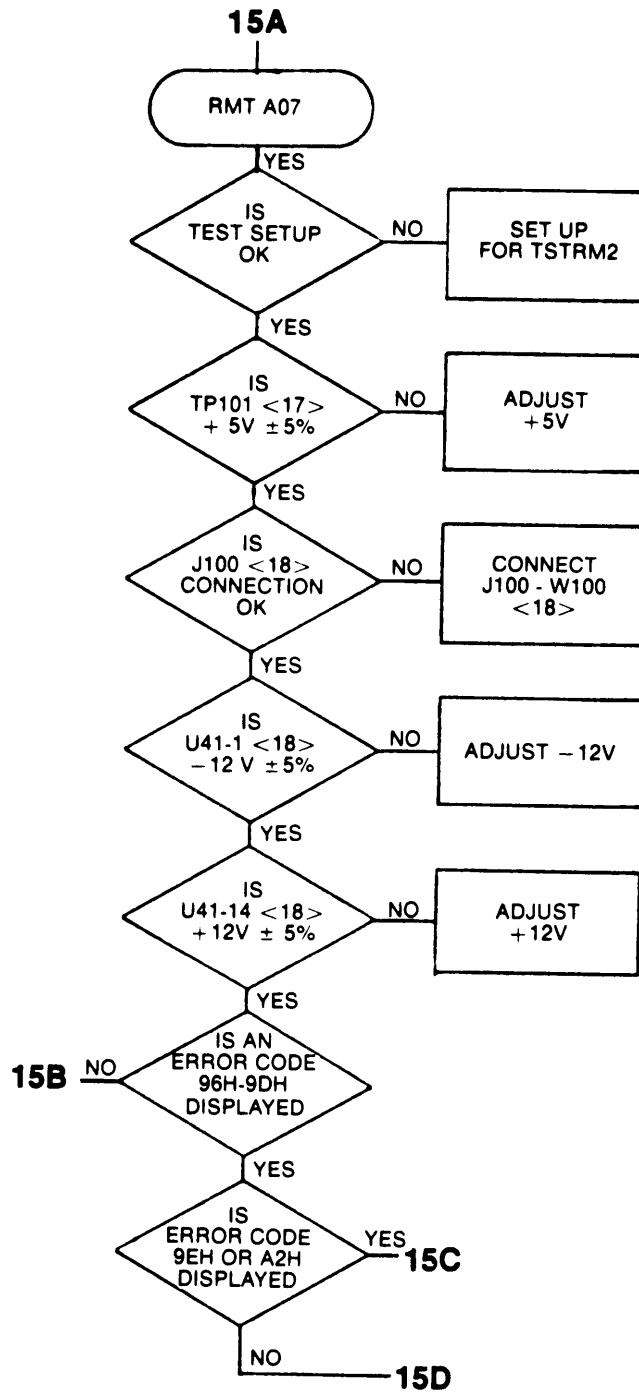


Figure 7-58. Troubleshooting Tree 15: REMOTE A07 TSTRM2 (RMT) (Sheet 1 of 4).

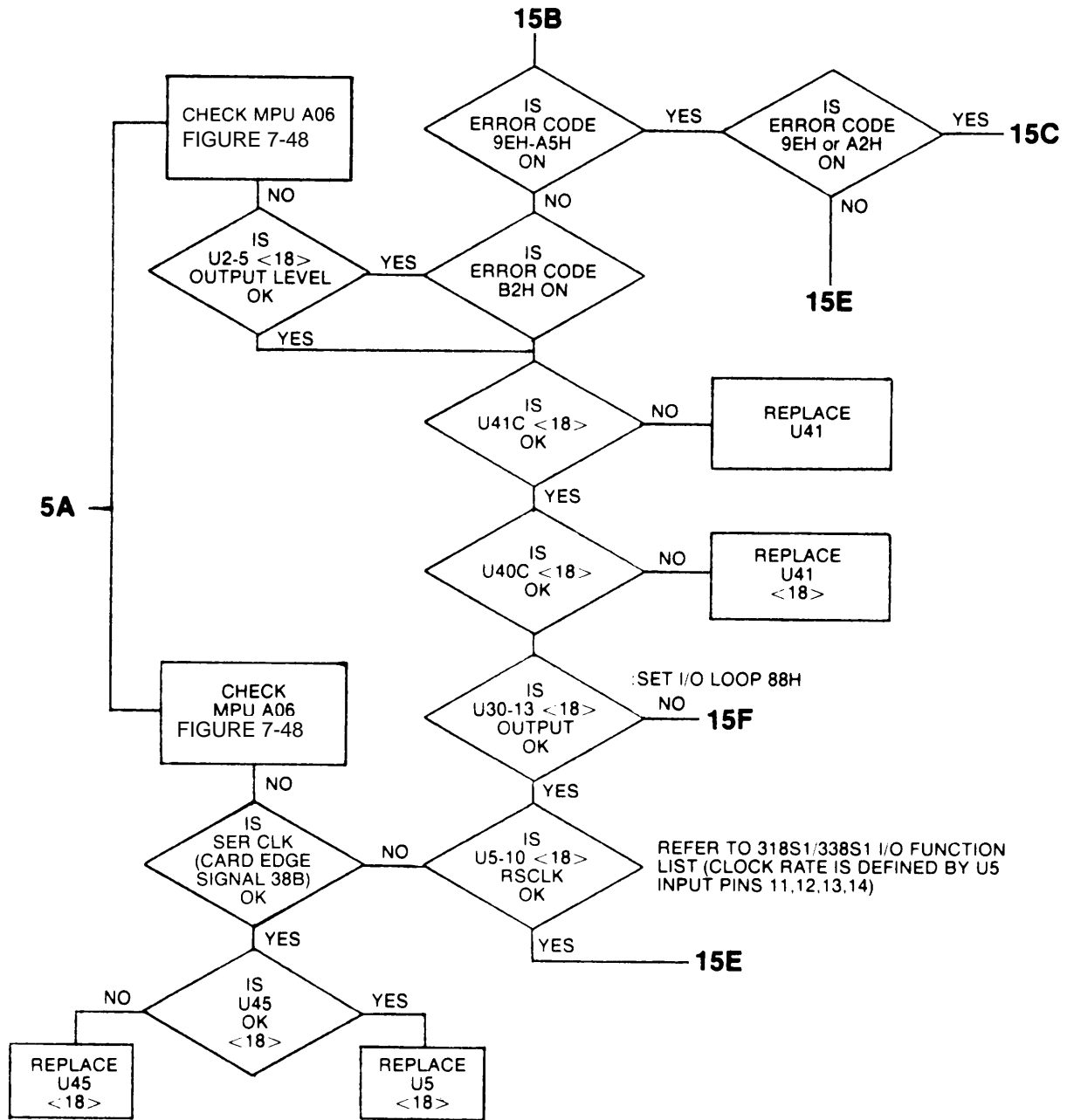


Figure 7-58. Troubleshooting Tree 15: REMOTE A07 TSTRM2 (RMT) (Sheet 2 of 4).

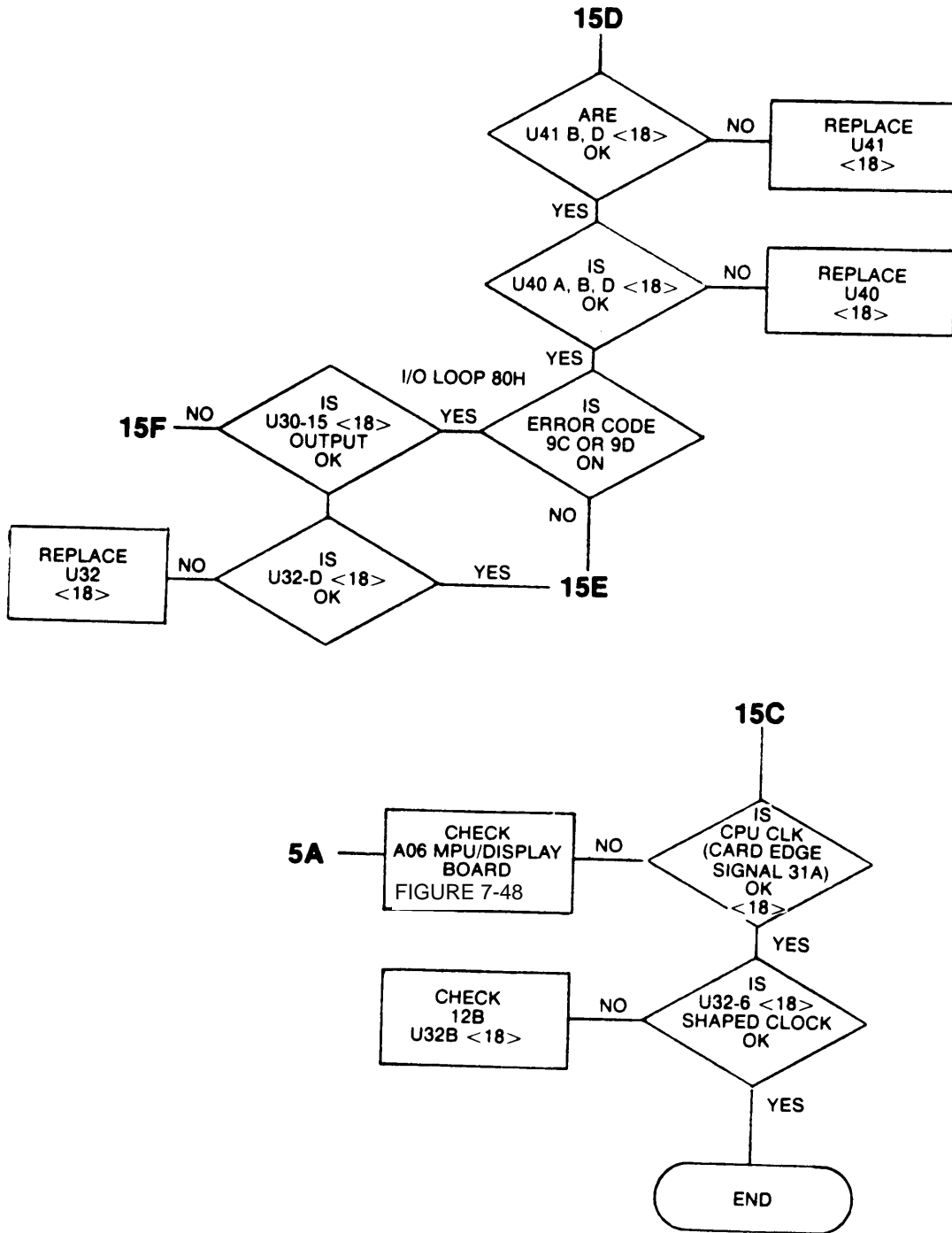


Figure 7-58. Troubleshooting Tree 15: REMOTE A07 TSTRM2 (RMT) (Sheet 3 of 4).

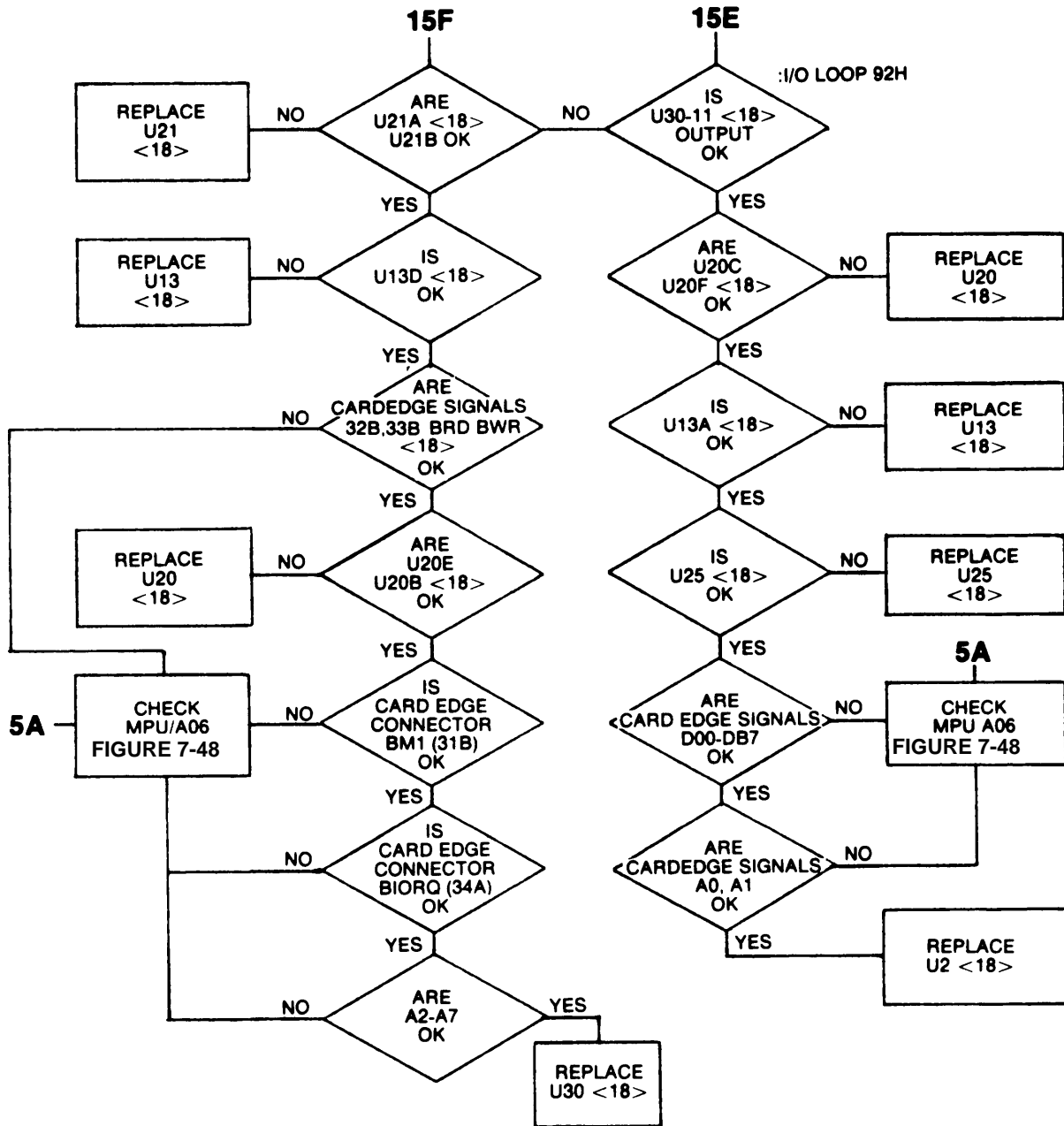


Figure 7-58. Troubleshooting Tree 15: REMOTE A07 TSTRM2 (RMT) (Sheet 4 of 4).

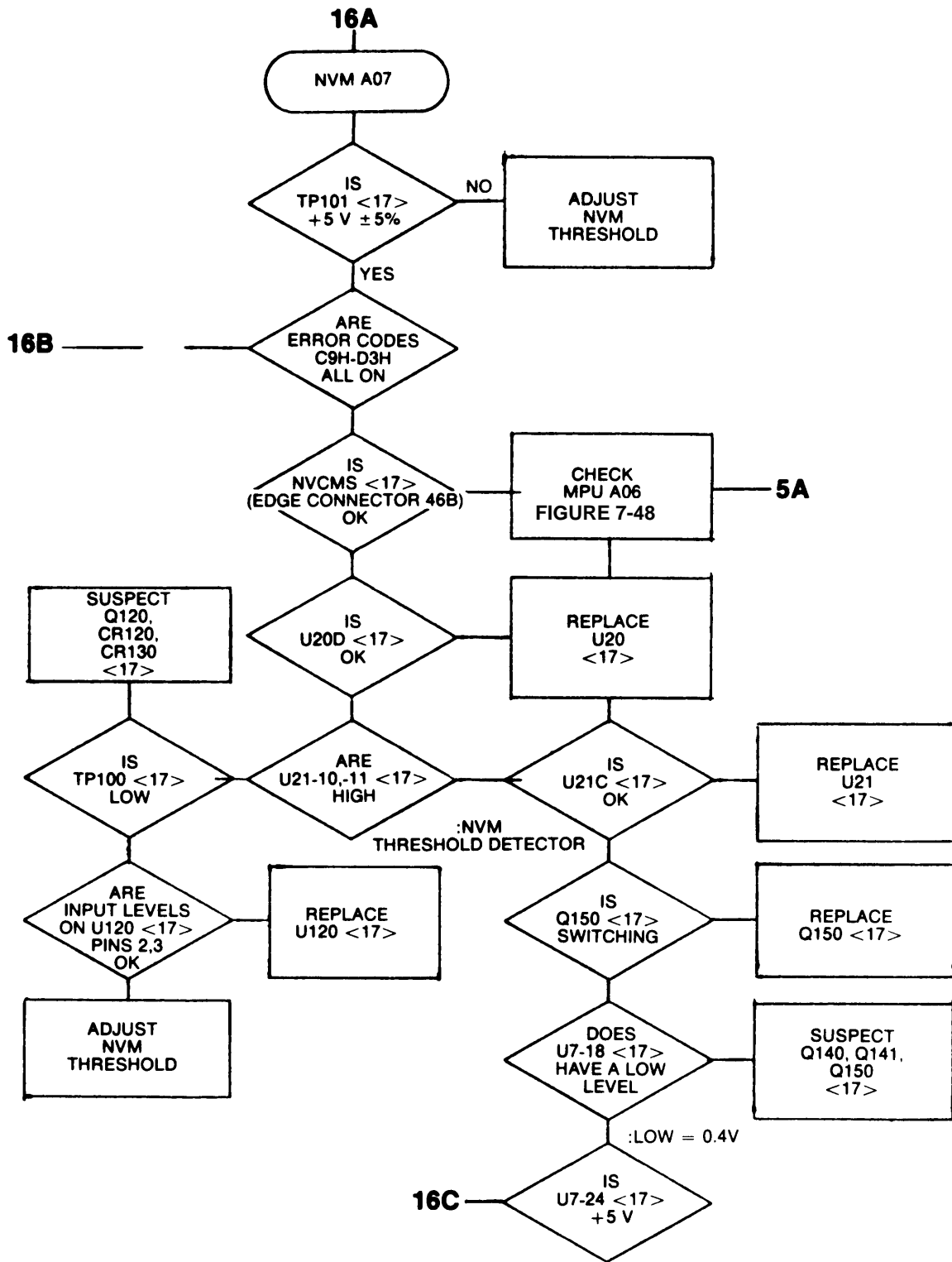


Figure 7-59. Troubleshooting Tree 16: Non Volatile Memory (NVM A07) (Sheet 1 of 2).

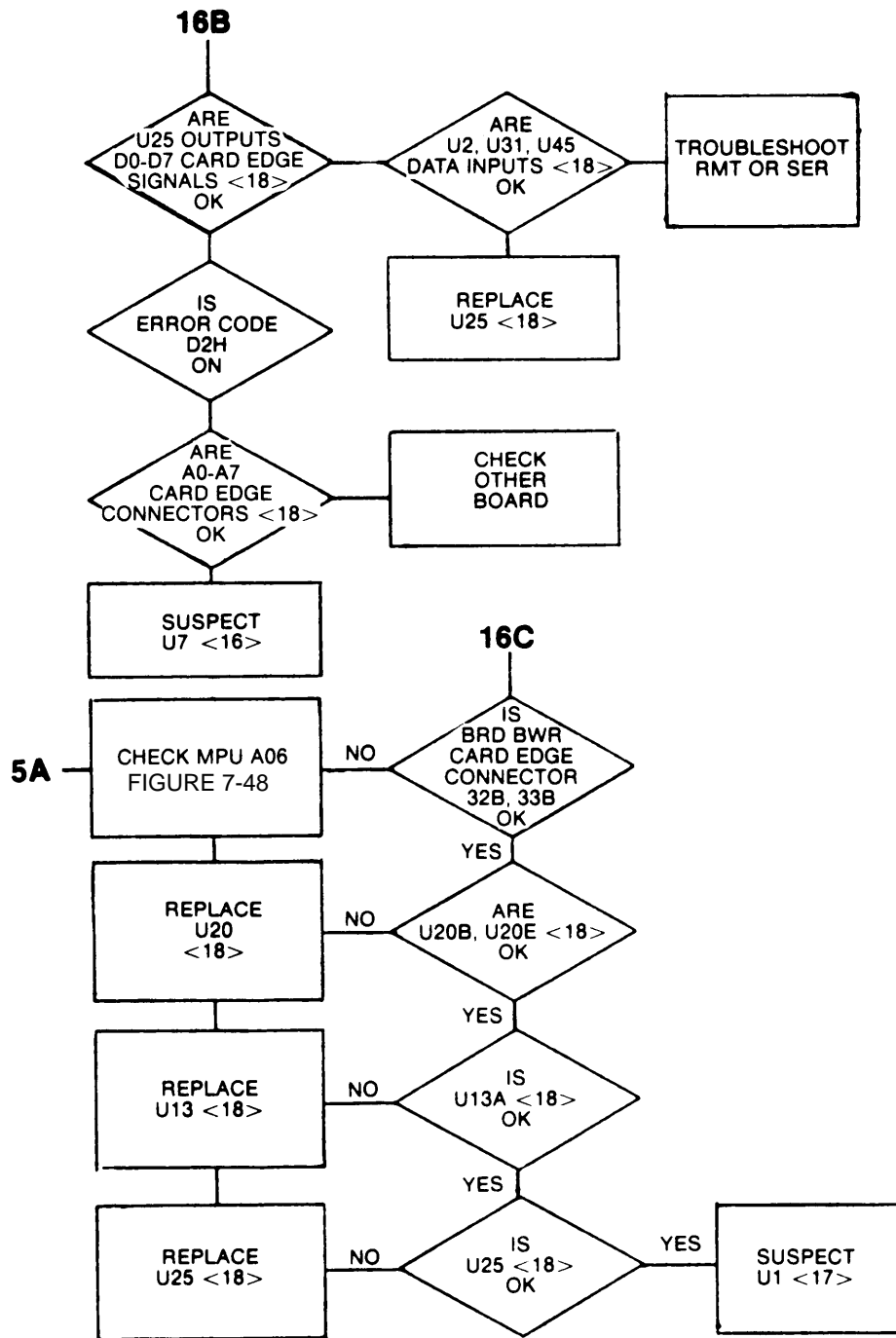


Figure 7-59. Troubleshooting Tree 16: Non Volatile Memory (NVM A07) (Sheet 2 of 2),

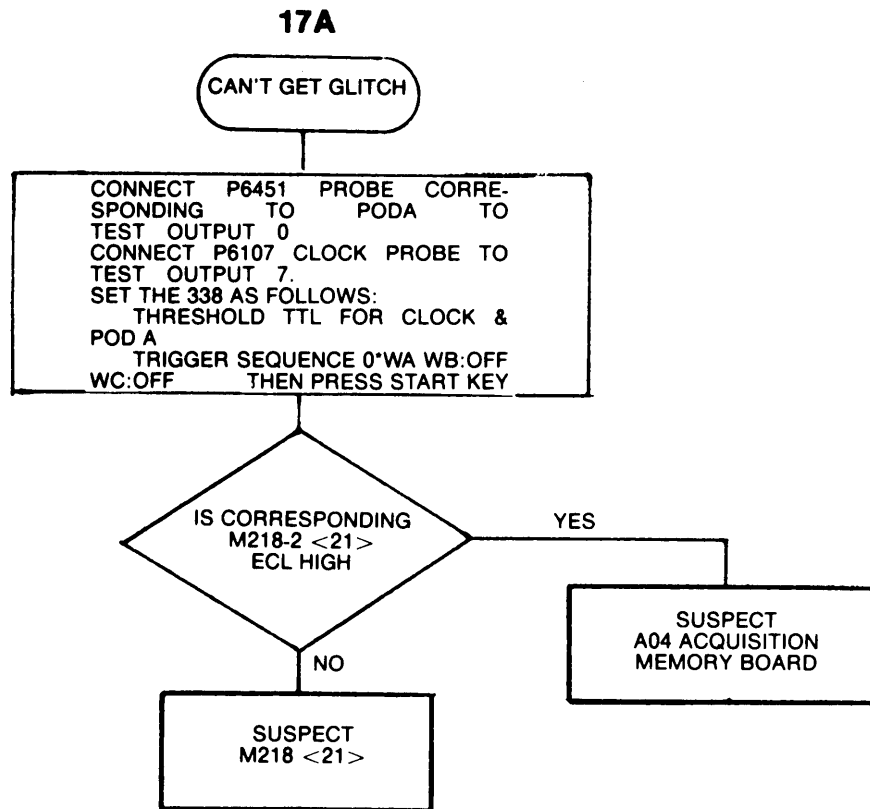


Figure 7-60. Troubleshooting Tree 17: Can't Get Glitch.

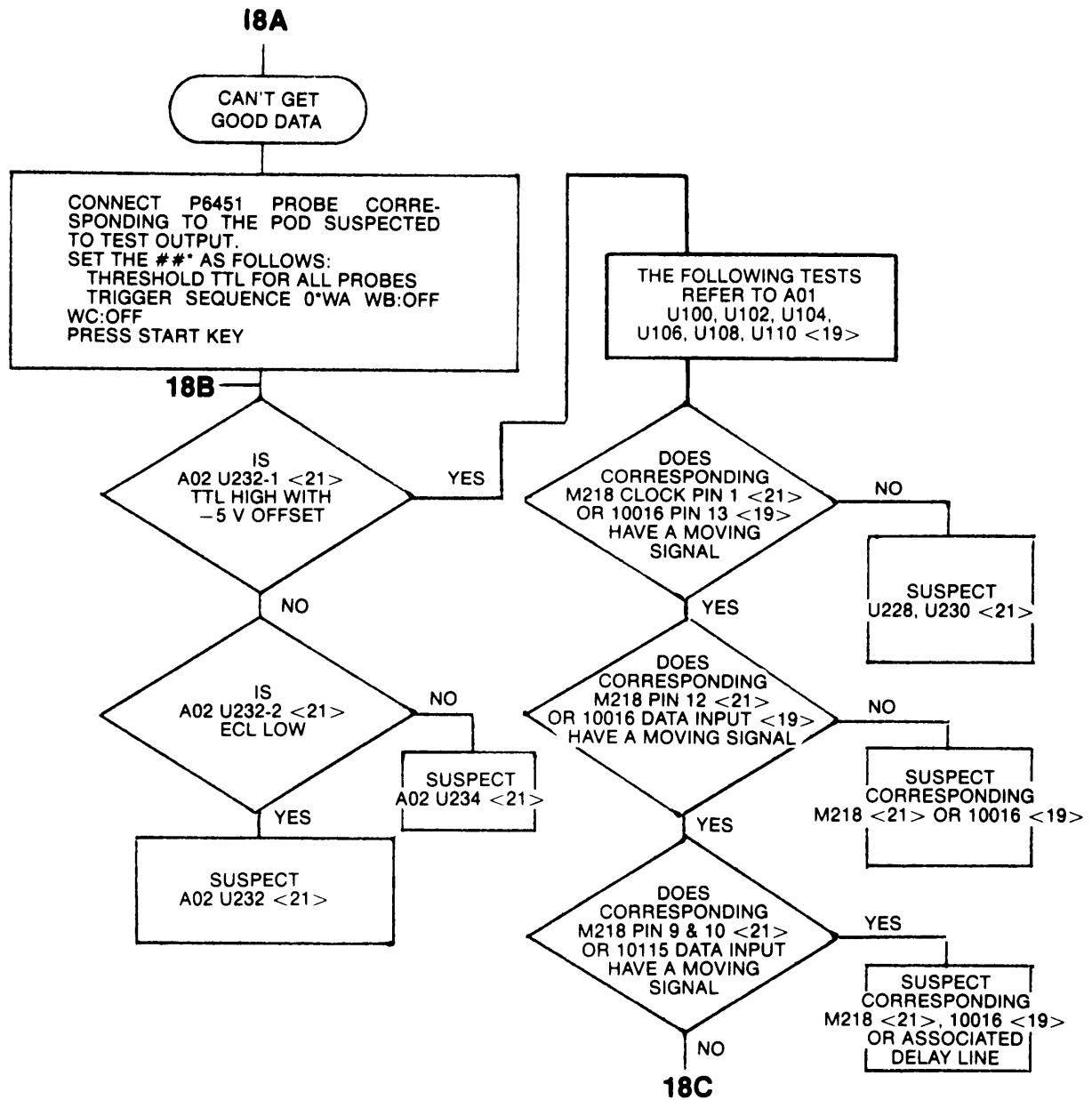


Figure 7-61. Troubleshooting Tree 18: Can't Get Good Data (Sheet 1 of 2).

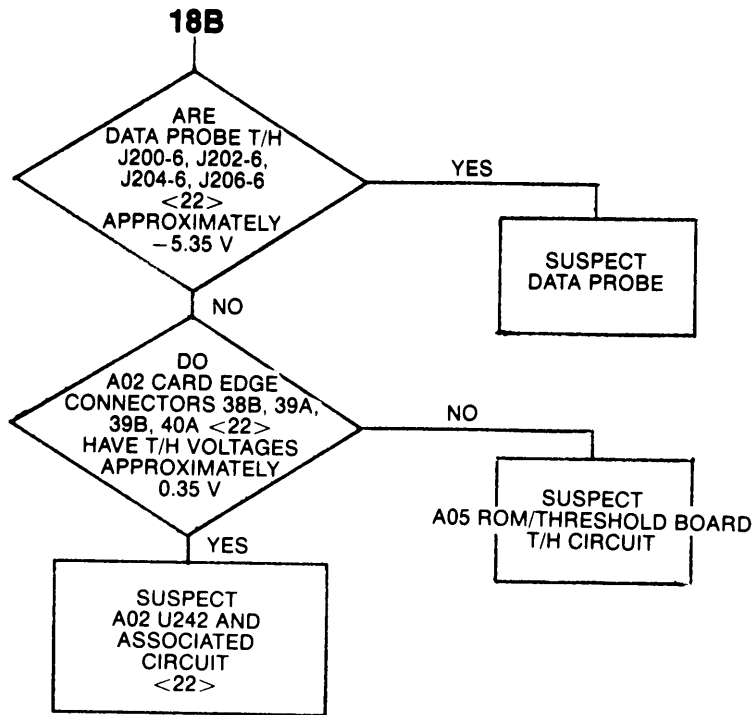


Figure 7-61. Troubleshooting Tree 18: Can't Get Good Data (Sheet 2 of 2).

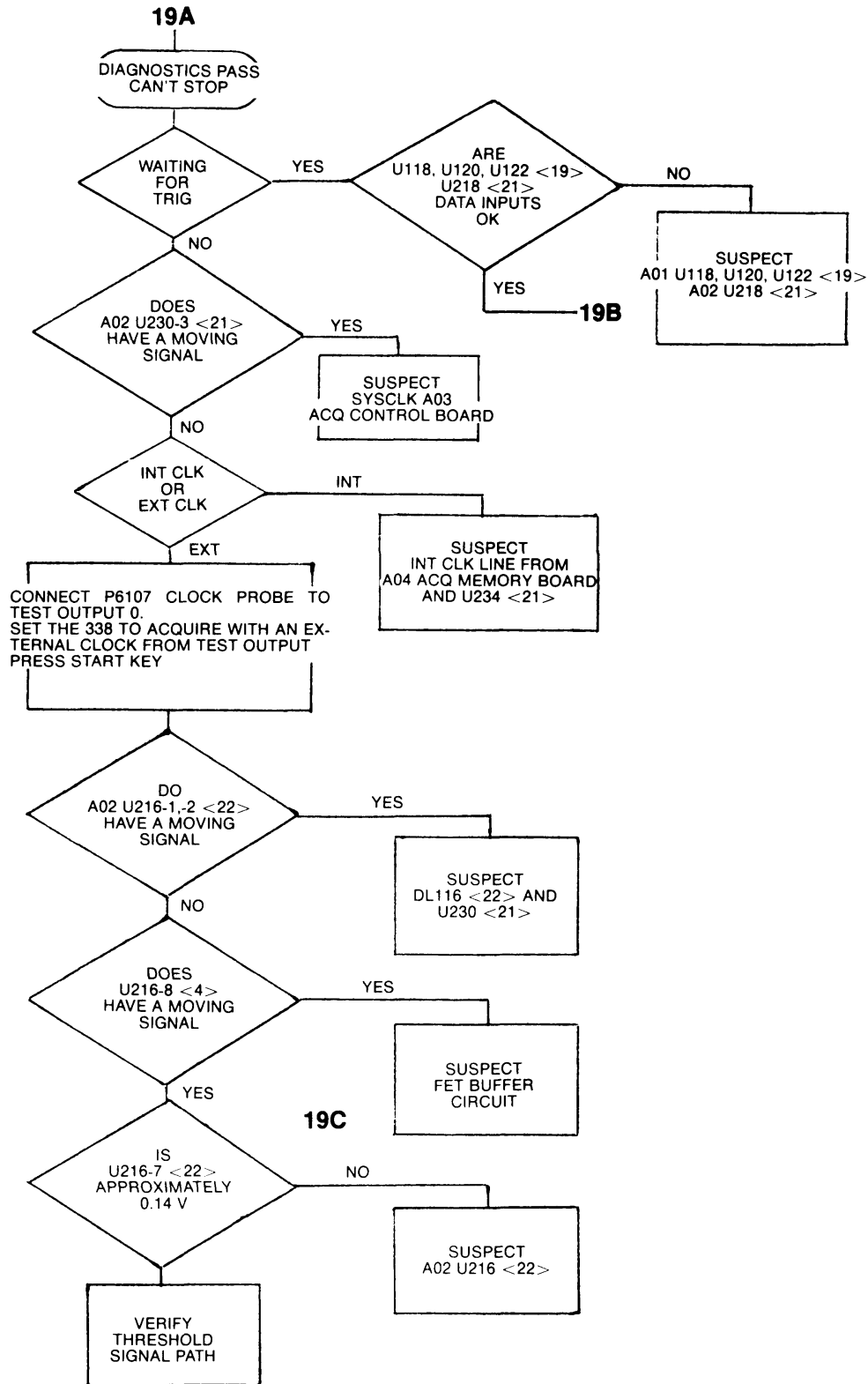


Figure 7-62. Troubleshooting Tree 19: Diagnostics Pass Can't Stop.

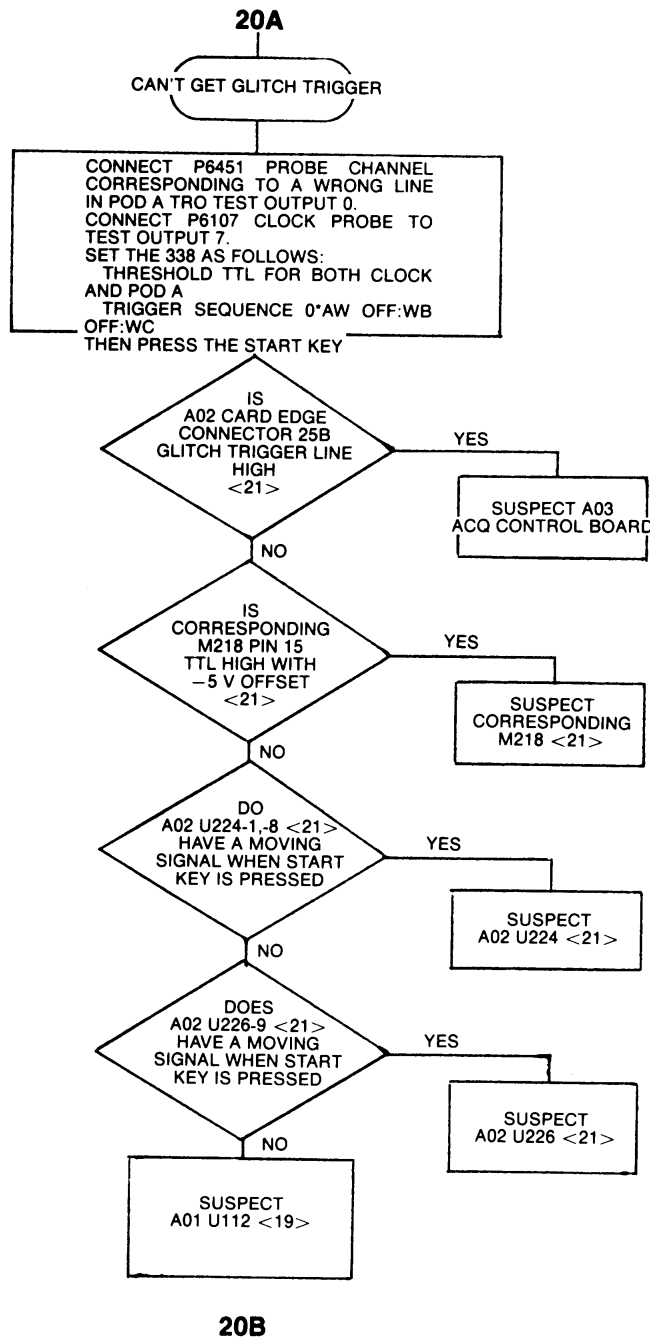


Figure 7-63. Troubleshooting Tree 20: Can't Get Glitch Trigger

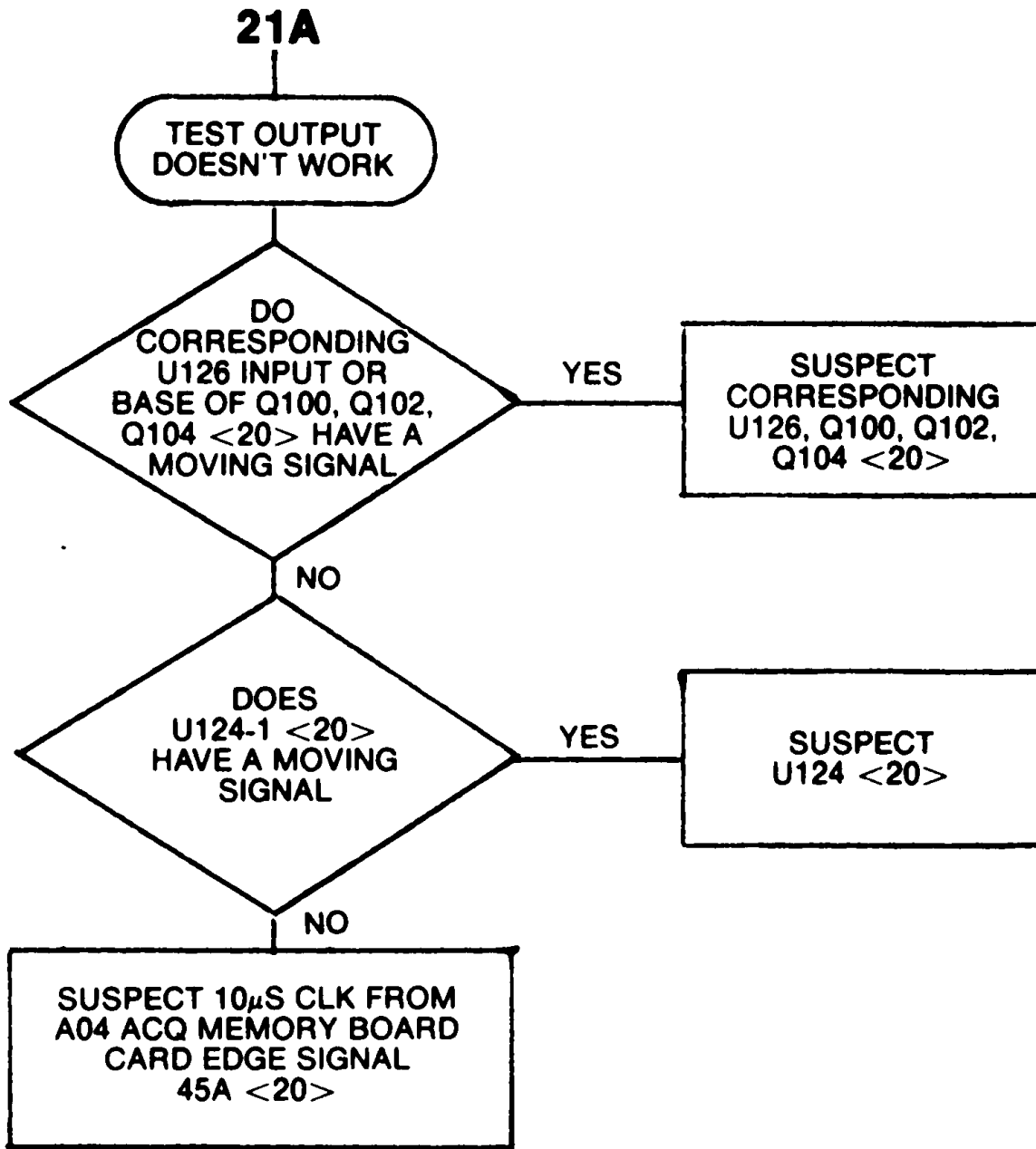


Figure 7-64. Troubleshooting Tree 21: Test Output Doesn't Work.

**REPLACEABLE 318/338 Service
ELECTRICAL PARTS**

PARTS ORDERING INFORMATION

Replacement parts are available from or through your local Tektronix, Inc. Field Office or representative.

Changes to Tektronix instruments are sometimes made to accommodate improved components as they become available, and to give you the benefit of the latest circuit improvements developed in our engineering department. It is therefore important, when ordering parts, to include the following information in your order: Part number, instrument type or number, serial number, and modification number if applicable.

If a part you have ordered has been replaced with a new or improved part, your local Tektronix, Inc. Field Office or representative will contact you concerning any change in part number.

Change information, if any, is located at the rear of this manual.

LIST OF ASSEMBLIES

A list of assemblies can be found at the beginning of the Electrical Parts List. The assemblies are listed in numerical order. When the complete component number of a part is known, this list will identify the assembly in which the part is located.

**CROSS INDEX-MFR. CODE NUMBER TO
MANUFACTURER**

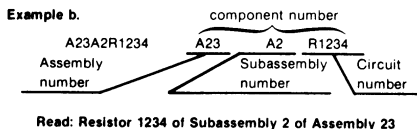
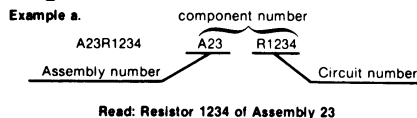
The Mfr. Code Number to Manufacturer index for the Electrical Parts List is located immediately after this page. The Cross Index provides codes, names and addresses of manufacturers of components listed in the Electrical Parts List.

ABBREVIATIONS

Abbreviations conform to American National Standard Y1.1.

**COMPONENT NUMBER (column one of the Electrical
Parts List)**

A numbering method has been used to identify assemblies, subassemblies and parts. Examples of this numbering method and typical expansions are illustrated by the following:



Only the circuit number will appear on the diagrams and circuit board illustrations. Each diagram and circuit board illustration is clearly marked with the assembly number. Assembly numbers are also marked on the mechanical exploded views located in the Mechanical Parts List. The component number is obtained by adding the assembly number prefix to the circuit number.

The Electrical Parts List is divided and arranged by assemblies in numerical sequence (e.g., assembly A1 with its subassemblies and parts, precedes assembly A2 with its subassemblies and parts).

Chassis-mounted parts have no assembly number prefix and are located at the end of the Electrical Parts List.

**TEKTRONIX PART NO. (column two of the
Electrical Parts List)**

Indicates part number to be used when ordering replacement part from Tektronix.

**SERIAL/MODEL NO. (columns three and four
of the Electrical Parts List)**

Column three (3) indicates the serial number at which the part was first used. Column four (4) indicates the serial number at which the part was removed. No serial number entered indicates part is good for all serial numbers.

**NAME & DESCRIPTION (column five of the
Electrical Parts List)**

In the Parts List, an Item Name is separated from the description by a colon (:). Because of space limitations, an Item Name may sometimes appear as incomplete. For further Item Name identification, the U.S. Federal Cataloging Handbook H6-1 can be utilized where possible.

**MFR. CODE (column six of the Electrical Parts
List)**

Indicates the code number of the actual manufacturer of the part. (Code to name and address cross reference can be found immediately after this page.)

**MFR. PART NUMBER (column seven of the
Electrical Parts List)**

Indicates actual manufacturers part number.

CROSS INDEX-MFR. CODE NUMBER TO MANUFACTURER

Mfr. Code	Manufacturer	Address	City, State, Zip
0000M	SONY/TEKTRONIX CORPORATION	P O BOX 14, HANEDA AIRPORT	TOKYO 149, JAPAN
000FJ	MARCOM SWITCHES INC	67 ALBANY STREET	CAZENOVIA, N.Y. 13035
01121	ALLEN-BRADLEY COMPANY	1201 2ND STREET SOUTH	MILWAUKEE, WI 53204
01295	TEXAS INSTRUMENTS, INC. SEMICONDUCTOR GROUP	P.O. BOX 5012	DALLAS, TX 75222
04222	AVX CERAMICS, DIVISION OF AVX CORP	P O BOX 867	MYRTLE BEACH, SC 29577
04713	MOTOROLA, INC., SEMICONDUCTOR PROD. DIV	5005 E MCDOWELL RD, PO BOX 20923	PHOENIX, AZ 85036
07263	FAIRCHILD SEMICONDUCTOR, A DIV. OF FAIRCHILD CAMERA AND INSTRUMENT CORP	464 ELLIS STREET	MOUNTAIN VIEW, CA 94042
12969	UNITRODE CORPORATION	580 PLEASANT STREET	WATERTOWN, MA 02172
13511	AMPHENOL CARDRE DIV., BUNKER RAMO CORP	LOS GATOS, CA 95030	SANTA CLARA, CA 95054
17856	SILICONIX, INC	2201 LAURELWOOD DRIVE	SANTA CLARA, CA 95054
18324	SIGNETICS CORP	811 E. ARQUES	SUNNYVALE, CA 94086
19701	ELECTRA-MIDLAND CORP., MEPCO ELECTRA INC	P O BOX 760	MINERAL WELLS, TX 76067
27014	NATIONAL SEMICONDUCTOR CORP	2900 SEMICONDUCTOR DR	SANTA CLARA, CA 95051
31918	IEE/SCHADOW INC	8081 WALLACE ROAD	EDEN PRAIRIE, MN 55343
50434	HEWLETT-PACKARD COMPANY	640 PAGE MILL ROAD	PALO ALTO, CA 94304
51642	CENTRE ENGINEERING INC	2820 E COLLEGE AVENUE	STATE COLLEGE, PA 16801
54583	TDK ELECTRONICS CORP	755 EASTGATE BLVD	GARDEN CITY, NY 11530
55680	NICHICON/AMERICA/CORP	6435 N PROESEL AVENUE	CHICAGO, IL 60645
56289	SPRAGUE ELECTRIC CO	87 MARSHALL ST	NORTH ADAMS, MA 01247
57668	R-OHM CORP	16931 MILLIKEN AVE	IRVINE, CA 92713
59821	CENTRALAB INC	7158 MERCHANT AVE	EL PASO, TX 79915
71400	SUB NORTH AMERICAN PHILIPS CORP BUSSMAN MFG., DIVISION OF MCGRAW- EDISON CO	2536 W. UNIVERSITY ST	ST. LOUIS, MO 63107
71785	TRW, CINCH CONNECTORS	1501 MORSE AVENUE	ELK GROVE VILLAGE, IL 60007
72982	ERIE TECHNOLOGICAL PRODUCTS, INC	644 W. 12TH ST	ERIE, PA 16512
80009	TEKTRONIX, INC	P O BOX 500	BEAVERTON, OR 97077
90201	MALLORY CAPACITOR CO., DIV. OF P. R. MALLORY AND CO INC	3029 E. WASHINGTON STREET P. O. BOX 372	INDIANAPOLIS, IN 46206
91637	DALE ELECTRONICS, INC	P. O. BOX 609	COLUMBUS, NE 68601
93410	ESSEX INTERNATIONAL, INC., CONTROLS DIV. LEXINGTON PLANT	P. O. BOX 1007	MANSFIELD, OH 44903
96733	SAN FERNANDO ELECTRIC MFG CO	1501 FIRST ST	SAN FERNANDO, CA 91341
T0058	NEC ELECTRON INC	252 HUMBOLT COURT	SUNNYVALE, CA 94086
T0191	SONY TEKTRONIX	P.O. BOX 14, HANEDA AIRPORT	TOKYO 149, JAPAN

TM 11-6625-3145-14
Replaceable Electrical Parts-318/338 Service

Component No.	Tektronix Serial/Model No.		Name & Description	Mfr	
	Part No.	Eff Dscont		Code	Mfr. Part Number
A01	670-7819-00		CKT BOARD ASSY: DATA INPUT A	80009	670-7819-00
A01	----		(318 ONLY)		
A01	670-7817-00		CKT BOARD ASSY: DATA INPUT A	80009	670-7817-00
A01	----		(338 ONLY)		
A02	670-7818-00		CKT BOARD ASSY: DATA INPUT B	80009	670-7818-00
A02	----		(318 ONLY)		
A02	670-7816-00		CKT BOARD ASSY: DATA INPUT B	80009	670-7816-00
A02	----		(338 ONLY)		
A03	670-7815-00		CKT BOARD ASSY: ACQ CONTROL	80009	670-7815-00
A03	----		(318 ONLY)		
A03	670-7822-00		CKT BOARD ASSY: ACQ CONNECTOR	80009	670-7822-00
A03	----		(338 ONLY)		
A04	670-7814-00		CKT BOARD ASSY: ACQ MEMORY	80009	670-7814-00
A04	----		(318 ONLY)		
A04	670-7823-00		CKT BOARD ASSY: ACQ MEMORY	80009	670-7823-00
A04	----		(338 ONLY)		
A05	670-7813-00		CKT BOARD ASSY: ROM/THRESHOLD	80009	670-7813-00
A05	----		(318/338 ONLY)		
A06	670-7812-00		CKT BOARD ASSY: MPU DISPLAY	80009	670-7812-00
A06	----		(318/338 ONLY)		
A07	670-7809-00		CKT BOARD ASSY: SERIAL/RS232/NUM	80009	670-7809-00
A07	----		(318/338 OPTION 01 ONLY)		
A08	670-7811-00		CKT BOARD ASSY: MOTHER	80009	670-7811-00
A08	----		(318/338 ONLY)		
A09	260-2133-00		SWITCH PB ASSY: KEYBOARD	80009	260-2133-00
A09	----		18/338 ONLY)		
A10	670-7810-00		CKT BOARD ASSY: CRT CIRCUIT	80009	670-7810-00
A10	----		(318/338 ONLY)		
A11	670-7821-00		CKT BOARD ASSY: INVERTER	80009	670-7821-00
A11	----		(318/338 ONLY)		
A12	670-7820-00		CKT BOARD ASSY: REGULATOR	80009	670-7820-00
A12	----		(318/338 ONLY)		
A01	670-7819-00		CKT BOARD ASSY: DATA INPUT A	80009	670-7819-00
A01	----		(318 ONLY)		
A01	670-7817-00		CKT BOARD ASSY: DATA INPUT B	80009	670-7817-00
A01	----		(338 ONLY)		
A01C100	281-0768-00		CAP., FXD, CER DI: 470PF, 20%, 100V	56289	292CC0G471M100B
A01C102	290-0995-00		CAP., FXD, ELCTLT: 47UF, 20%, 16V	0000M	290-0995-00
A01C104	281-0775-00		CAP., FXD, CER DI: 0.1UF, 20%, 50V	04222	MA205E104MAA
A01C104	----		(318 ONLY)		
A01C104	290-0995-00		CAP., FXD, ELCTLT: 47UF, 20%, 16V	0000M	290-0995-00
A01C104	----		(338 ONLY)		
A01C106	281-0775-00		CAP., FXD, CER DI: 0.1UF, 20%, 50V	04222	MA205E104MAA
A01C108	290-0995-00		CAP., FXD, ELCTLT: 47UF, 20%, 16V	0000M	290-0995-00
A01C108	----		(318 ONLY)		
A01C108	281-0775-00		CAP., FXD, CER DI: 0.1UF, 20%, 50V	04222	MA205E104MAA
A01C108	----		(338 ONLY)		
A01C110	281-0775-00		CAP., FXD, CER DI: 0.1UF, 20%, 50V	04222	MA205E104MAA
A01C110	----		(318 ONLY)		
A01C110	290-0995-00		CAP., FXD, ELCTLT: 47UF, 20%, 16V	0000M	290-0995-00
A01C110	----		(338 ONLY)		
A01C112	281-0775-00		CAP., FXD, CER DI: 0.1UF, 20%, 50V	04222	MA205E104MAA

TM 11-6625-3145-14
Replaceable Electrical Parts-318/338 Service

Component No.	Tektronix		Serial/Model No.		Name & Description	Mfr Code	Mfr. Part Number
	Part No.	Eff	Dscont				
A01C114	281-0775-00				CAP., FXD, CER DI: 0.1UF, 20%, 50V	04222	MA205E104MAA
A01C116	281-0775-00				CAP., FXD, CER DI: 0.1UF, 20%, 50V	04222	MA205E104MAA
A01C116	----				(338 ONLY)		
A01C118	290-0995-00				CAP., FXD, ELCTLT: 47UF, 20%, 16V	0000M	290-0995-00
A01C120	281-0775-00				CAP., FXD, CER DI: 0.1UF, 20%, 50V	04222	MA205E104MAA
A01C122	281-0775-00				CAP., FXD, CER DI: 0.1UF, 20%, 50V	04222	MA205E104MAA
A01C124	281-0775-00				CAP., FXD, CER DI: 0.1UF, 20%, 50V	04222	MA205E104MAA
A01C124	----				(318 ONLY)		
A01C124	290-0995-00				CAP., FXD, ELCTLT: 47UF, 20%, 16V	0000M	290-0995-00
A01C124	----				(338 ONLY)		
A01C126	290-0995-00				CAP., FXD, ELCTLT: 47UF, 20%, 16V	0000M	290-0995-00
A01C128	281-0775-00				CAP., FXD, CER DI: 0.1UF, 20%, 50V	04222	MA205E104MAA
A01C128	----				(318 ONLY)		
A01C130	281-0775-00				CAP., FXD, CER DI: 0.1UF, 20%, 50V	04222	MA205E104MAA
A01C130	----				(318 ONLY)		
A01C130	281-0819-00				CAP., FXD, CER DI: 33PF, 5%, 50V	72982	8035BC0G330
A01C130	----				(338 ONLY)		
A01C132	281-0775-00				CAP., FXD, CER DI: 0.1UF, 20%, 50V	04222	MA205E104MAA
A01C132	----				(318 ONLY)		
A01C132	281-0819-00				CAP., FXD, CER DI: 33PF, 5%, 50V	72982	8035BC0G330
A01C132	----				(338 ONLY)		
A01C134	281-0775-00				CAP., FXD, CER DI: 0.1UF, 20%, 50V	04222	MA205E104MAA
A01C134	----				(318 ONLY)		
A01C136	290-0995-00				CAP., FXD, ELCTLT: 47UF, 20%, 16V	0000M	290-0995-00
A01C136	----				(318 ONLY)		
A01C138	290-0995-00				CAP., FXD, ELCTLT: 47UF, 20%, 16V	0000M	290-0995-00
A01C138	----				(318 ONLY)		
A01C140	281-0819-00				CAP., FXD, CER DI: 33PF, 5%, 50V	72982	8035BC0G330
A01C140	----				(318 ONLY)		
A01C142	281-0819-00				CAP., FXD, CER DI: 33PF, 5%, 50V	72982	8035BC0G330
A01C142	----				(318 ONLY)		
A01CR110	152-0327-00				SEMICONV DEVICE: SIG, SI, BAX13	T0191	152-0327-00
A01CR112	152-0581-01				SEMICONV DEVICE: RECT, S1, 20V, 1A	0000M	152-0581-01
A01CR114	152-0327-00				SEMICONV DEVICE: SIG, SI, BAX13	T0191	152-0327-00
A01CR116	152-0581-01				SEMICONV DEVICE: RECT, S1, 20V, 1A	0000M	152-0581-01
A01CR118	152-0327-00				SEMICONV DEVICE: SIG, SI, BAX13	T0191	152-0327-00
A01 CR118	----				(318 ONLY)		
A01CR118	152-0581-00				SEMICONV DEVICE: SILICON, 20V, 1A 04713 1N5817		
A01CR118	----				(338 ONLY)		
A01CR120	152-0581-01				SEMICONV DEVICE: RECT, S1, 20V, 1A	0000M	152-0581-01
A01CR120	----				(318 ONLY)		
A01CR120	152-0327-00				SEMICONV DEVICE: SIG, SI, BAX13	T0191	152-0327-00
A01CR120	----				(338 ONLY)		
A01CR122	152-0327-00				SEMICONV DEVICE: SIG, SI, BAX13	T0191	152-0327-00
A01CR122	----				(318 ONLY)		
A01DL100	119-1608-00				DELAY LINE, ELEC: 5.5NS, 100 OHM	0000M	119-1608-00
A01DL102	119-1608-00				DELAY LINE, ELEC: 5.5NS, 100 OHM	0000M	119-1608-00
A01DL104	119-1609-00				DELAY LINE, ELEC: 20NS, 100 OHMS, TAPPED	0000M	119-1609-00
A01DL104	----				(318 ONLY)		
A01DL104	119-1608-00				DELAY LINE, ELEC: 5.5NS, 100 OHM	0000M	119-1608-00
A01DL104	----				(338 ONLY)		
A01DL106	119-1608-00				DELAY LINE, ELEC: 5.5NS, 100 OHM	0000M	119-1608-00
A01DL106	----				(338 ONLY)		
A01DL108	119-1608-00				DELAY LINE, ELEC: 5.5NS, 100 OHM	0000M	119-1608-00
A01DL108	----				(338 ONLY)		

TM 11-6625-3145-14
Replaceable Electrical Parts-318/338 Service

Component No.	Tektronix	Serial/Model No.		Name & Description	Mfr	Mfr. Part Number
	Part No.	Eff	Dscont		Code	
A01DL110	119-1608-00			DELAY LINE, ELEC: 5.5NS, 100 OHM	0000M	119-1608-00
A01DL110	----			(338 ONLY)		
A01J100	131-2936-01			CONN, RCPT, ELEC: FEMALE, 2 X 15	0000M	131-2936-01
A01J104	131-2932-00	.300101	.300490	CONN, RCPT, ELEC: HEADER, STRAIGHT, 1 X 10	0000M	131-2932-00
A01J104	----			(338 ONLY)		
A01J104	131-3143-00	.300491		CONN, RCPT, ELEC: HEADER, 1 X 10, 0.1 SPACING	0000M	131-3143-00
A01J104	----			(338 ONLY)		
A01J106	131-2932-00	.300101	.300560	CONN, RCPT, ELEC: HEADER, STRAIGHT, 1 X 10	0000M	131-2932-00
A01J106	----			(318 ONLY)		
A01J106	131-3143-00	.300561		CONN, RCPT, ELEC: HEADER, 1 X 10, 0.1 SPACING	0000M	131-3143-00
A01J106	----			(318 ONLY)		
A01Q100	151-0190-00			TRANSISTOR: NPN, SI, TO-92	04713	SPS7969
A01Q102	151-0190-00			TRANSISTOR: NPN, SI, TO-92	04713	SPS7969
A01Q104	151-0190-00			TRANSISTOR: NPN, SI, TO-92	04713	SPS7969
A01R100	307-0874-00			RES NTWK, FXD, FI: 8, 75 OHM, 5%, 0.1W	0000M	307-0874-00
A01R100	----			(318 ONLY)		
A01R102	307-0874-00			RES NTWK, FXD, FI: 8, 75 OHM, 5%, 0.1W	0000M	307-0874-00
A01R102	----			(318 ONLY)		
A01R104	315-0101-00			RES., FXD, CMPSN: 100 OHM, 5%, 0.25W	57668	NTR25J-E 100E
A01R104	----			(318 ONLY)		
A01R106	307-0866-00			RES NTWK, FXD, FI: 8, 100 OHM, 5%, 0.1W	0000M	307-0866-00
A01R106	----			(318 ONLY)		
A01R106	315-0101-00			RES., FXD, CMPSN: 100 OHM, 5%, 0.25W	57668	NTR25J-E 100E
A01R106	----			(338 ONLY)		
A01R108	307-0866-00			RES NTWK, FXD, FI: 8, 100 OHM, 5%, 0.1W	0000M	307-0866-00
A01R108	----			(318 ONLY)		
A01R110	321-0207-00			RES., FXD, FILM: 1.4K OHM, 1%, 0.125W	91637	MFF1816G14000F
A01R110	----			(318 ONLY)		
A01R110	315-0472-00			RES., FXD, CMPSN: 4.7K OHM, 5%, 0.25W	57668	NTR25J-E04K7
A01R110	----			(338 ONLY)		
A01R112	321-0247-00			RES., FXD, FILM: 3.65K OHM, 1%, 0.125W	91637	MFF1816G36500F
A01R112	----			(318 ONLY)		
A01R112	315-0332-00			RES., FXD, CMPSN: 3.3K OHM, 5%, 0.25W	57668	NTR25J-E03K3
A01R112	----			(338 ONLY)		
A01R114	315-0472-00			RES., FXD, CMPSN: 4.7K OHM, 5%, 0.25W	57668	NTR25J-E04K7
A01R114	----			(318 ONLY)		
A01R114	315-0332-00			RES., FXD, CMPSN: 3.3K OHM, 5%, 0.25W	57668	NTR25J-E03K3
A01R114	----			(338 ONLY)		
A01R116	315-0272-00			RES., FXD, CMPSN: 2.7K OHM, 5%, 0.25W	57668	NTR25J-E02K7
A01R116	----			(318 ONLY)		
A01R116	307-0865-00			RES NTWK, FXD, FI: 8, 1K OHM, 5%, 0.1W	0000M	307-0865-00
A01R116	----			(338 ONLY)		
A01R118	315-0101-00			RES., FXD, CMPSN: 100 OHM, 5%, 0.25W	57668	NTR25J-E 100E
A01R118	----			(318 ONLY)		
A01R118	315-0102-00			RES., FXD, CMPSN: 1K OHM, 5%, 0.25W	57668	NTR25-JE01K0
A01R118	----			(338 ONLY)		
A01R120	315-0101-00			RES., FXD, CMPSN: 100 OHM, 5%, 0.25W	57668	NTR25J-E 100E
A01R120	----			(318 ONLY)		
A0R122	315-0101-00			RES., FXD, CMPSN: 100 OHM, 5%, 0.25W	57668	NTR25J-E 100E
A0R122	----			(318 ONLY)		
A01R124	315-0511-00			RES., FXD, CMPSN: 510 OHM, 5%, 0.25W	01121	CB5115
A01R124	----			(318 ONLY)		
A01R124	315-0101-00			RES., FXD, CMPSN: 100 OHM, 5%, 0.25W	57668	NTR25J-E 100E
A01R124	----			(338 ONLY)		

TM 11-6625-3145-14
Replaceable Electrical Parts-318/338 Service

Component No.	Tektronix Serial/Model No.		Name & Description	Mfr	
	Part No.	Eff Dscont		Code	Mfr. Part Number
A01R126	315-0472-00		RES., FXD, CMPSN: 4.7K OHM, 5%, 0.25W	57668	NTR25J-E04K7
A01R126	----		(318 ONLY)		
A01R126	315-0101-00		RES., FXD, CMPSN: 100 OHM, 5%, 0.25W	57668	NTR25J-E 100E
A01R126	----		(338 ONLY)		
A01R128	307-0865-00		RES NTWK, FXD, FI: 8, 1K OHM, 5%, 0.1W	0000M	307-0865-00
A01R128	----		(318 ONLY)		
A01R128	315-0332-00		RES., FXD, CMPSN: 3.3K OHM, 5%, 0.25W	57668	NTR25J-E03K3
A01R128	----		(338 ONLY)		
A01R130	315-0102-00		RES., FXD, CMPSN: 1K OHM, 5%, 0.25W	57668	NTR25-JE01K0
A01R130	----		(318 ONLY)		
A01R130	315-0511-00		RES., FXD, CMPSN: 510 OHM, 5%, 0.25W	01121	CB5115
A01R130	----		(338 ONLY)		
A01R134	307-0868-00		RES NTWK, FXD, FI: .6, 100 OHMS, 5%, 0.1W	0000M	307-0868-00
A01R134	----		(338 ONLY)		
A01R136	315-0332-00		RES., FXD, CMPSN: 3.3K OHM, 5%, 0.25W	57668	NTR25J-E03K3
A01R136	----		(318 ONLY)		
A01R136	307-0867-00		RES NTWK, FXD, FI: 3, 100 OHM, 5%, 0.1W	0000M	307-0867-00
A01R136	----		(338 ONLY)		
A01R138	315-0332-00		RES., FXD, CMPSN: 3.3K OHM, 5%, 0.25W	57668	NTR25J-E03K3
A01R138	----		(318 ONLY)		
A01R138	315-0511-00		RES., FXD, CMPSN: 510 OHM, 5%, 0.25W	01121	CB5115
A01R138	----		(338 ONLY)		
A01R140	315-0332-00		RES., FXD, CMPSN: 3.3K OHM, 5%, 0.25W	57668	NTR25J-E 03K3
A01R140	----		(318 ONLY)		
A01R140	315-0511-00		RES., FXD, CMPSN: 510 OHM, 5%, 0.25W	01121	CB5115
A01R140	----		(338 ONLY)		
A01R142	307-0111-00		RES., FXD, CMPSN: 3.6 OHM, 5%, 0.25W	01121	CB36G5
A01R142	----		(318 ONLY)		
A01R142	315-0511-00		RES., FXD, CMPSN: 510 OHM, 5%, 0.25W	01121	CB5115
A01R142	----		(338 ONLY)		
A01R144	315-0511-00		RES., FXD, CMPSN: 510 OHM, 5%, 0.25W	01121	CB5115
A01R144	----		(338 ONLY)		
A01R146	315-0102-00		RES., FXD, CMPSN: 1K OHM, 5%, 0.25W	57668	NTR25J-E01K0
A01R146	----		(318 ONLY)		
A01R148	315-0102-00		RES., FXD, CMPSN: 1K OHM, 5%, 0.25W	57668	NTR25J-E01K0
A01R148	----		(318 ONLY)		
A01R150	315-0101-00		RES., FXD, CMPSN: 100 OHM, 5%, 0.25W	57668	NTR25J-E 100E
A01R150	----		(318 ONLY)		
A01R152	315-0510-00		RES., FXD, CMPSN: 51 OHM, 5%, 0.25W	57668	NTR25J-E51 E0
A01R152	----		(318 ONLY)		
A01R154	307-0868-00		RES NTWK, FXD, FI: 6, 100 OHM, 5%, 0.1W	0000M	307-0868-00
A01R154	----		(318 ONLY)		
A01R156	307-0867-00		RES NTWK, FXD, FI: 3, 100 OHM, 5%, 0.1W	0000M	307-0867-00
A01R156	----		(318 ONLY)		
A01TP100	214-0579-00		TERM, TEST POINT: BRS CD PL	80009	214-0579-00
A01TP102	214-0579-00		TERM, TEST POINT: BRS CD PL	80009	214-0579-00
A01TP104	214-0579-00		TERM, TEST POINT: BRS CD PL	80009	214-0579-00
A01TP104	----		(338 ONLY)		
A01TP106	214-0579-00		TERM, TEST POINT: BRS CD PL	80009	214-0579-00
A01TP106	----		(338 ONLY)		
A01U100	155-0215-00		MICROCIRCUIT, DI: LOGIC ANALYZER INPUT, 16 DIP	80009	155-0215-00
A01U100	----		(318 ONLY)		
A01U100	156-1038-00		MICROCIRCUIT, DI: 4 BIT BINARY COUNTER	80009	156-1038-00
A01U100	----		(338 ONLY)		

TM 11-6625-3145-14
Replaceable Electrical Parts-318/338 Service

Component No.	Tektronix		Serial/Model No.		Name & Description	Mfr	
	Part No.	Eff	Dscont	Code		Mfr. Part Number	
A01U102	155-0215-00				MICROCIRCUIT, DI: LOGIC ANALYZER INPUT, 16 DIP (318 ONLY)	80009	155-0215-00
A01U102	156-1038-00				MICROCIRCUIT, DI: 4 BIT BINARY COUNTER (338 ONLY)	80009	156-1038-00
A01U104	155-0215-00				MICROCIRCUIT, DI: LOGIC ANALYZER INPUT, 16 DIP (318 ONLY)	80009	155-0215-00
A01U104	156-1038-00				MICROCIRCUIT, DI: 4 BIT BINARY COUNTER (338 ONLY)	80009	156-1038-00
A01U106	155-0215-00				MICROCIRCUIT, DI: LOGIC ANALYZER INPUT, 16 DIP (318 ONLY)	80009	155-0215-00
A01U106	156-1038-00				MICROCIRCUIT, DI: 4 BIT BINARY COUNTER (338 ONLY)	80009	156-1038-00
A01U108	155-0215-00				MICROCIRCUIT, DI: LOGIC ANALYZER INPUT, 16 DIP (318 ONLY)	80009	155-0215-00
A01U108	156-1038-00				MICROCIRCUIT, DI: 4 BIT BINARY COUNTER (338 ONLY)	80009	156-1038-00
A01U110	155-0215-00				MICROCIRCUIT, DI: LOGIC ANALYZER INPUT, 16 DIP (318 ONLY)	80009	155-0215-00
A01U110	156-1038-00				MICROCIRCUIT, DI: 4 BIT BINARY COUNTER (338 ONLY)	80009	156-1038-00
A01U112	155-0215-00				MICROCIRCUIT, DI: LOGIC ANALYZER INPUT, 16 DIP (318 ONLY)	80009	155-0215-00
A01U112	156-0469-02				MICROCIRCUIT, DI: 3/8 LINE DCDR (338 ONLY)	01295	SN74LS138NP3
A01U114	155-0215-00				MICROCIRCUIT, DI: LOGIC ANALYZER INPUT, 16 DIP (318 ONLY)	80009	155-0215-00
A01U114	156-0368-00				MICROCIRCUIT, DI: QUAD TTL TO ECL CONVERTER (338 ONLY)	04713	MC10124L
A01U116	156-1784-00				MICROCIRCUIT, LI: DUAL COMPARATOR (318 ONLY)	0000M	156-1784-00
A01U118	156-0651-00	.300101	.300280		MICROCIRCUIT, DI: 8-BIT PRL-OUT SER SHF RGTR (318 ONLY)	01295	SN74LS164NP3
A01U118	156-0651-02	.300281			MICROCIRCUIT, DI: 8 BIT PRL-OUT SER SHF RGTR (318 ONLY)	01295	SN74LS164(NP3 OR
A01U118	156-1773-00				MICROCIRCUIT, DI: 256 WORD X 4 BIT RAM (338 ONLY)	0000M	156-1773-00
A01U120	156-1773-00	.300101	.300720		MICROCIRCUIT, DI: 256 WORD X 4 BIT RAM (318 ONLY)	0000M	156-1773-00
A01U120	156-1635-00	.300721			MICROCIRCUIT, DI: 256 X 4 SRAM, 24 PIN DIP, CER (318 ONLY)	27014	DM10422A
A01U120	156-1773-00	.300101	.300745		MICROCIRCUIT, DI: 256 WORD X 4 BIT RAM (338 ONLY)	0000M	156-1773-00
A01U120	156-1635-00	.300746			MICROCIRCUIT, DI: 256 X 4 SRAM, 24 PN DIP, CER (338 ONLY)	27014	DM10422A
A01U122	156-0633-00				MICROCIRCUIT, DI: HEX D MASTER SLAVE F-F (318 ONLY)	80009	156-0633-00
A01U122	156-1773-00				MICROCIRCUIT, DI: 256 WORD X 4 BIT RAM (338 ONLY)	0000M	156-1773-00
A01U124	156-1038-00				MICROCIRCUIT, DI: 4 BIT BINARY COUNTER (318 ONLY)	80009	156-1038-00
A01U124	156-1172-00	.300101	.300150		MICROCIRCUIT, DI: DUAL4 BIT BIN CNTR, SCRNR (338 ONLY)	01295	SN74LS393
A01U124	156-1172-01	.300151			MICROCIRCUIT, DI: DUAL 4 BIT CNTR (338 ONLY)	01295	SN74LS393

TM 11-6625-3145-14
Replaceable Electrical Parts-318/338 Service

Component No.	Tektronix	Serial/Model No.		Name & Description	Mfr	
	Part No.	Eff	Dscont		Code	Mfr. Part Number
A01U126	156-1038-00			MICROCIRCUIT, DI: 4 BIT BINARY COUNTER	80009	156-1038-00
A01U126	----			(318 ONLY)		
A01U126	156-0092-01	.300101	.300150	MICROCIRCUIT, DI: HEX INV W/OPEN COLL, CHK	80009	156-0092-01
A01U126	----			(338 ONLY)		
A01U126	156-0092-02	.300151		MICROCIRCUIT, DI: HEX INV W/OPEN COLLECTOR	80009	156-0092-02
A01U126	----			(338 ONLY)		
A01U128	156-0633-00			MICROCIRCUIT, DI: HEX D MASTER SLAVE F-F	80009	156-0633-00
A01U128	----			(318 ONLY)		
A01U130	156-0469-00	.300101	.300280	MICROCIRCUIT, DI: 3/8 LINE DCDR, SCRNR	01295	SN74LS138
A01U130	----			(318 ONLY)		
A01U130	156-0469-02	.300281		MICROCIRCUIT, DI: 3/8 LINE DCDR	01295	SN74LS138NP3
A01U130	----			(318 ONLY)		
A01U132	156-0368-00			MICROCIRCUIT, DI: QUAD TTL TO ECL CONVERTER	04713	MC10124L
A01U132	----			(318 ONLY)		
A01U134	156-0633-00			MICROCIRCUIT, DI: HEX D MASTER SLAVE F-F	80009	156-0633-00
A01U134	----			(318 ONLY)		
A01U136	156-1172-00	.300101	.300280	MICROCIRCUIT, DI: DUAL4 BIT BIN CNTR, SCRNR	01295	SN74LS393
A01U136	----			(318 ONLY)		
A01U136	156-1172-01	.300281		MICROCIRCUIT, DI: DUAL 4 BIT CNTR	01295	SN74LS393
A01U136	----			(318 ONLY)		
A01U138	156-0092-01	.300101	.300280	MICROCIRCUIT, DI: HEX INV W/OPEN COLL, CHK	80009	156-0092-01
A01U138	----			(318 ONLY)		
A01U138	156-0092-02	.300281		MICROCIRCUIT, DI: HEX INV W/OPEN COLLECTOR	80009	156-0092-02
A01U138	----			(318 ONLY)		

TM 11-6625-3145-14
Replaceable Electrical Parts-318/338 Service

Component No.	Tektronix Serial/Model No.		Name & Description	Mfr	
	Part No.	Eff Dscont		Code	Mfr. Part Number
A02	670-7818-00		CKT BOARD ASSY: DATA INPUT B	80009	670-7818-00
A02	----		(318 ONLY)		
A02	670-7816-00		CKT BOARD ASSY: DATA INVERTER	80009	670-7816-00
A02	----		(338 ONLY)		
A02C200	281-0775-00		CAP., FXD, CER DI: 0.1UF, 20%, 50V	04222	MA205E104MAA
A02C202	290-0995-00		CAP., FXD, ELCTLT: 47UF, 20%, 16V	0000M	290-0995-00
A02C202	----		(318 ONLY)		
A02C202	281-0775-00		CAP., FXD, CER DI: 0.1UF, 20%, 50V	04222	MA205E104MAA
A02C202	----		(338 ONLY)		
A02C204	281-0775-00		CAP., FXD, CER DI: 0.1UF, 20%, 50V	04222	MA205E104MAA
A02C206	281-0775-00		CAP., FXD, CER DI: 0.1UF, 20%, 50V	04222	MA205E104MAA
A02C208	281-0775-00		CAP., FXD, CER DI: 0.1UF, 20%, 50V	04222	MA205E104MAA
A02C210	281-0775-00		CAP., FXD, CER DI: 0.1UF, 20%, 50V	04222	MA205E104MAA
A02C212	290-0995-00		CAP., FXD, ELCTLT: 47UF, 20%, 16V	0000M	290-0995-00
A02C214	281-0775-00		CAP., FXD, CER DI: 0.1UF, 20%, 50V	04222	MA205E104MAA
A02C216	290-0995-00		CAP., FXD, ELCTLT: 47UF, 20%, 16V	0000M	290-0995-00
A02C218	281-0775-00		CAP., FXD, CER DI: 0.1UF, 20%, 50V	04222	MA205E104MAA
A02C220	281-0775-00		CAP., FXD, CER DI: 0.1UF, 20%, 50V	04222	MA205E104MAA
A02C222	281-0775-00		CAP., FXD, CER DI: 0.1UF, 20%, 50V	04222	MA205E104MAA
A02C224	281-0775-00		CAP., FXD, CER DI: 0.1UF, 20%, 50V	04222	MA205E104MAA
A02C224	----		(318 ONLY)		
A02C226	281-077500		CAP., FXD, CER DI: 0.1UF, 20%, 50V	04222	MA205E104MAA
A02C226	----		(318 ONLY)		
A02C226	281-0815-00		CAP., FXD, CER DI: 0.027UF, 20%, 50V	72982	8005D9AABW5R273M
A02C226	----		(338 ONLY)		
A02C228	281-0775-00		CAP., FXD, CER DI: 0.1UF, 20%, 50V	04222	MA205E104MAA
A02C228	----		(318 ONLY)		
A02C230	281-0775-00		CAP., FXD, CER DI: 0.1UF, 20%, 50V	04222	MA205E104MAA
A02C230	--		(318 ONLY)		
A02C230	281-0815-00		CAP., FXD, CER DI: 0.027UF, 20%, 50V	72982	8005D9AABW5R273M
A02C230	----		(338 ONLY)		
A02C232	281-0775-00		CAP., FXD, CER DI: 0.1UF, 20%, 50V	04222	MA205E104MAA
A02C232	----		(318 ONLY)		
A02C234	281-0815-00		CAP., FXD, CER DI: 0.027UF, 20%, 50V	72982	8005D9AABW5R273M
A02C236	281-0815400		CAP., FXD, CER DI: 0.027UF, 20%, 50V	72982	8005D9AABW5R273M
A02C236	----		(318 ONLY)		
A02C238	281-0815-00		CAP., FXD, CER DI: 0.027UF, 20%, 50V	72982	8005D9AABW5R273M
A02C240	281-0815-00		CAP., FXD, CER DI: 0.027UF, 20%, 50V	72982	8005D9AABW5R273M
A02C240	----		(318 ONLY)		
A02C240	281-0775-00		CAP., FXD, CER DI: 0.1UF, 20%, 50V	04222	MA205E104MAA
A02C240	----		(338 ONLY)		
A02C242	281-0775-00		CAP., FXD, CER DI: 0.1UF, 20%, 50V	04222	MA205E104MAA
A02C244	281-0812-00		CAP., FXD, CER DI: 1000PF, 10%, 100V	04222	MA101C102KAA
A02C244	----		(318 ONLY)		
A02C244	290-995-00		CAP., FXD, ELCTLT: 47UF, 20%, 16V	0000M	290-0995-00
A02C244	----		(338 ONLY)		
A02C246	281-0812-00		CAP., FXD, CER DI: 1000PF, 10%, 100V	04222	MA101C102KAA
A02C246	----		(318 ONLY)		
A02C246	281-0775-00		CAP., FXD, CER DI: 0.1UF, 20%, 50V	04222	MA205E104MAA
A02C246	----		(338 ONLY)		
A02C248	281-0773-00		CAP., FXD, CER DI: 0.1UF, 20%, 50V	04222	MA201C103KAA
A02C248	----		(318 ONLY)		
A02C248	290-0995-00		CAP., FXD, ELCTLT: 47UF, 20%, 16V	0000M	290-0995-00
A02C248	----		(338 ONLY)		

TM 11-6625-3145-14
Replaceable Electrical Parts-318/338 Service

Component No.	Tektronix		Serial/Model No.		Name & Description	Mfr	
	Part No.	Eff	Dscont	Code		Mfr. Part Number	
A02C250	281-0775-00				CAP., FXD, CER DI: 0.1UF, 20%, 50V	04222	MA205E104MAA
A02C252	281-0775-00				CAP., FXD, CER DI: 0.1UF, 20%, 50V	04222	MA205E104MAA
A02C252	----				(338 ONLY)		
A02C254	281-0775-00				CAP., FXD, CER DI: 0.1UF, 20%, 50V	04222	MA205E104MAA
A02C254	----				(338 ONLY)		
A02C256	281-0812-00				CAP., FXD, CER DI: 1000PF, 10%, 100V	04222	MA101C102KAA
A02C256	----				(338 ONLY)		
A02C258	281-0812-00				CAP., FXD, CER DI: 1000PF, 10%, 100V	04222	MA101C102KAA
A02C258	----				(338 ONLY)		
A02C260	281-0815-00				CAP., FXD, CER DI: 0.027UF, 20%, 50V	72982	8005D9AABW5R273M
A02C260	----				(338 ONLY)		
A02C262	281-0812-00				CAP., FXD, CER DI: 1000PF, 10%, 100V	04222	MA101C102KAA
A02C262	----				(318 ONLY)		
A02C264	281-0812-00				CAP., FXD, CER DI: 1000PF, 10%, 100V	04222	MA101C102KAA
A02C264	----				(318 ONLY)		
A02C268	290-0995-00				CAP., FXD, ELCLTL: 47UF, 20%, 16V	0000M	290-0995-00
A02C268	----				(318 ONLY)		
A02C270	290-0995-00				CAP., FXD, ELCLTL: 47UF, 20%, 16V	0000M	290-0995-00
A02C270	----				(318 ONLY)		
A02C270	281-0775-00				CAP., FXD, CER DI: 0.1UF, 20%, 50V	04222	MA205E104MAA
A02C270	----				(338 ONLY)		
A02C272	281-0775-00				CAP., FXD, CER DI: 0.1UF, 20%, 50V	04222	MA205E104MAA
A02C274	281-0775-00				CAP., FXD, CER DI: 0.1UF, 20%, 50V	04222	MA205E104MAA
A02C276	281-0775-00				CAP., FXD, CER DI: 0.1UF, 20%, 50V	04222	MA205E104MAA
A02C278	281-0778-00	.300101	.300330		CAP., FXD, CER DI: 1.8PF, 20%, 50V		
A02C278	----				(318 ONLY)		
A02C280	290-0995-00				CAP., FXD, ELCLTL: 47UF, 20%, 16V	0000M	290-0995-00
A02C280	----				(338 ONLY)		
A02C282	290-0995-00				CAP., FXD, ELCLTL: 47UF, 20%, 16V	0000M	290-0995-00
A02C282	----				(338 ONLY)		
A02C284	281-0815-00				CAP., FXD, CER DI: 0.027UF, 20%, 50V	72982	8005D9AABW5R273M
A02C284	----				(338 ONLY)		
A02C286	281-0773-00				CAP., FXD, CER DI: 0.1UF, 20%, 50V	04222	MA201C103KAA
A02C286	----				(338 ONLY)		
A02C288	281-0775-00				CAP., FXD, CER DI: 0.1UF, 20%, 50V	04222	MA205E104MAA
A02C288	----				(338 ONLY)		
A02C290	281-0775-00				CAP., FXD, CER DI: 0.1UF, 20%, 50V	04222	MA205E104MAA
A02C290	----				(338 ONLY)		
A02C294	281-0778-00	.300101	.300200		CAP., FXD, CER DI: 1.8PF, 20%, 50V		
A02C294	----				(338 ONLY)		
A02C296	281-0775-00				CAP., FXD, CER DI: 0.1UF, 20%, 50V	04222	MA205E104MAA
A02C296	----				(338 ONLY)		
A02C300	281-0811-00	.300376			CAP., FXD, CER DI: 10PF, 10%, 100V	96733	R2911
A02C300	----				(318 ONLY)		
A02C300	281-0811-00	.300246			CAP., FXD, CER DI: 10PF, 10%, 100V	96733	R2911
A02C300	----				(338 ONLY)		
A02CR200	152-0327-00				SEMICONV DEVICE: SIG, SI, BAX 13	T0191	152-0327-00
A02CR202	152-0323-03				SEMICONV DEVICE: SIG, SI, BAX 13	0000M	152-0323-03
A02CR204	152-0323-03				SEMICONV DEVICE: SIG, SI, BAX 13	0000M	152-0323-03
A02CR206	152-0327-00				SEMICONV DEVICE: SIG, SI, BAX13	T0191	152-0327-00
A02DL106	119-1608-00				DELAY LINE, ELEC: 5.5NS, 100 OHM	0000M	119-1608-00
A02DL106	----				(318 ONLY)		
A02DL108	119-1608-00				DELAY LINE, ELEC: 5.5NS, 100 OHM	0000M	119-1608-00
A02DL108	----				(318 ONLY)		

TM 11-6625-3145-14
Replaceable Electrical Parts-318/338 Service

Component No.	Tektronix		Serial/Model No.		Name & Description	Mfr	
	Part No.	Eff	Dscont	Code		Mfr. Part Number	
A02DL110	119-1610-00				DELAY LINE, ELEC: 5NS, 100 OHMS, TAPPED (318 ONLY)	0000M	119-1610-00
A02DL112	119-1608-00				DELAY LINE, ELEC: 5.5NS, 100 OHM (338 ONLY)	0000M	119-1608-00
A02DL114	119-1608-00				DELAY LINE, ELEC: 5.5NS, 100 OHM (338 ONLY)	0000M	119-1608-00
A02DL116	119-1610-00				DELAY LINE, ELEC: 5NS, 100 OHMS, TAPPED (338 ONLY)	0000M	119-1610-00
A02J200	131-2944-00				CONN, RCPT, ELEC: HEADER, STRAIGHT, 2 X 15 (318 ONLY)	0000M	131-2944-00
A02J200	131-1897-00				CONNECTOR, RCPT, : 25 MALE CONTACT (338 ONLY)	71785	2805125002
A02J202	131-1897-00				CONNECTOR, RCPT, : 25 MALE CONTACT	71785	2805125002
A02J204	131-1897-00				CONNECTOR, RCPT, : 25 MALE CONTACT	71785	2805125002
A02J206	131-2931-00				CONN, RCPT, ELEC: HEADER, ANGLE, 2 X 12 (318 ONLY)	0000M	131-2931-00
A02J206	131-1897-00				CONNECTOR, RCPT, : 25 MALE CONTACT (338 ONLY)	71785	2805125002
A02J208	131-0955-00				CONN, RCPT, ELEC: BNC, FEMALE (318 ONLY)	13511	31-279
A02J210	131-2945-00				CONN, RCPT, ELEC: HEADER, STRAIGHT, 2 X 17 (338 ONLY)	0000M	131-2945-00
A02J212	131-0955-00				CONN, RCPT, ELEC: BNC, FEMALE (338 ONLY)	13511	31-279
A02J220	131-2931-00				CONN, RCPT, ELEC: HEADER, ANGLE, 2 X 12 (338 ONLY)	0000M	131-2931-00
A02Q106	151-0188-00				TRANSISTOR: PNP, SI, TO-92	T0058	2N3906
A02Q108	151-1032-00				TRANSISTOR: SILICON, FET, DUAL	17856	DN399
A02R200	307-0875-00				RES NTWK, FXD, FI: 4, 75 OHM, 5%, 0.1W (318 ONLY)	0000M	307-0875-00
A02R200	307-0874-00				RES NTWK, FXD, FI: 8, 75 OHM, 5%, 0.1W (338 ONLY)	0000M	307-0874-00
A02R202	307-0874-00				RES NTWK, FXD, FI: 8, 75 OHM, 5%, 0.1W	0000M	307-0874-00
A02R204	307-0874-00				RES NTWK, FXD, FI: 8, 75 OHM, 5%, 0.1W (318 ONLY)	0000M	307-0874-00
A02R206	307-0866-00				RES NTWK, FXD, FI: 8, 100 OHM, 5%, 0.1W (318 ONLY)	0000M	307-0866-00
A02R206	315-0102-00				RES., FXD, CMPSN: 1K OHM, 5%, 0.25W (338 ONLY)	57668	NTR25JE01K0
A02R208	307-0866-00				RES NTWK, FXD, FI: 8, 100 OHM, 5%, 0.1W (318 ONLY)	0000M	307-0866-00
A02R208	315-0102-00				RES., FXD, CMPSN: 1K OHM, 5%, 0.25W (338 ONLY)	57668	NTR25J-E01 K0
A02R210	315-0472-00				RES., FXD, CMPSN: 4.7K OHM, 5%, 0.25W (318 ONLY)	57668	NTR25J-E04K7
A02R210	307-0103-00				RES., FXD, CMPSN: 2.7 OHM, 5%, 0.25W (338 ONLY)	01121	CB27G5
A02R212	307-0869-00				RES NTWK, FXD, FI: 8, 510 OHM, 5%, 0.1W (318 ONLY)	0000M	307-0869-00
A02R212	307-0111-00				RES., FXD, CMPSN: 3.6 OHM, 5%, 0.25W (338 ONLY)	01121	CB36G5
A02R214	315-0511-00				RES., FXD, CMPSN: 510 OHM, 5%, 0.25W (318 ONLY)	01121	CB5115
A02R214	307-0111-00				RES., FXD, CMPSN: 3.6 OHM, 5%, 0.25W (338 ONLY)	01121	CB36G5
A02R214					(338 ONLY)		

TM 11-6625-3145-14
Replaceable Electrical Parts-318/338 Service

Component No.	Tektronix		Serial/Model No.		Name & Description	Mfr	
	Part No.	Eff	Dscont	Code		Mfr. Part Number	
A02R216	315-0272-00			RES., FXD, CMPSN: 2.7K OHM, 5%, 0.25W	57668	NTR25J-E02K7	
A02R216	----			(318 ONLY)			
A02R216	307-0111-00			RES., FXD, CMPSN: 3.6 OHM, 5%, 0.25W	01121	CB36G5	
A02R216	----			(338 ONLY)			
A02R218	315-0272-00			RES., FXD, CMPSN: 2.7K OHM, 5%, 0.25W	57668	NTR25J-E02K7	
A02R218	----			(318 ONLY)			
A02R218	307-0870-00			RES NTWK, FXD, FI: 6, 510 OHM, 5%, 0.1W	0000M	307-0870-00	
A02R218	----			(338 ONLY)			
A02R220	315-0622-00			RES., FXD, CMPSN: 6.2K OHM, 5%, 0.25W	01121	CB6225	
A02R220	----			(318 ONLY)			
A02R220	307-0874-00			RES NTWK, FXD, FI: 8, 75 OHM, 5%, 0.1W	0000M	307-0874-00	
A02R220	----			(338 ONLY)			
A02R222	315-0102-00			RES., FXD, CMPSN: 1K OHM, 5%, 0.25W	57668	NTR25JE01K0	
A02R222	----			(318 ONLY)			
A02R222	307-0874-00			RES NTWK, FXD, FI: 8, 75 OHM, 5%, 0.1W	0000M	307-0874-00	
A02R222	----			(338 ONLY)			
A02R224	321-0481-04			RES., FXD, FILM: 1M OHM, 0.1%, 0.125W	91637	CMF55116D10003B	
A02R224	----			(318 ONLY)			
A02R224	307-0874-00			RES NTWK, FXD, FI: 8, 75 OHM, 5%, 0.1W	0000M	307-0874-00	
A02R224	----			(338 ONLY)			
A02R226	315-0104-00			RES., FXD, CMPSN: 100K OHM, 5%, 0.25W	57668	NTR25J-E 100K	
A02R226	----			(318 ONLY)			
A02R226	307-0874-00			RES NTWK, FXD, FI: 8, 75 OHM, 5%, 0.1W	0000M	307-0874-00	
A02R226	----			(338 ONLY)			
A02R228	315-0470-00			RES., FXD, CMPSN: 47 OHM, 5%, 0.25W	57668	NTR25J-E47E0	
A02R228	----			(318 ONLY)			
A02R228	307-0874-00			RES NTWK, FXD, FI: 8, 75 OHM, 5%, 0.1W	0000M	307-0874-00	
A02R228	----			(338 ONLY)			
A02R230	321-0030-00			RES., FXD, FILM: 20 OHM, 1%, 0.125W	91637	CMF55116G20R00F	
A02R230	----			(318 ONLY)			
A02R230	307-0874-00			RES NTWK, FXD, FI: 8, 75 OHM, 5%, 0.1W	0000M	307-0874-00	
A02R230	----			(338 ONLY)			
A02R232	315-0100-00			RES., FXD, CMPSN: 10 OHM, 5%, 0.25W	57668	NTR25J-E 10E0	
A02R232	----			(318 ONLY)			
A02R232	307-0874-00			RES NTWK, FXD, FI: 8, 75 OHM, 5%, 0.1W	0000M	307-0874-00	
A02R232	----			(338 ONLY)			
A02R234	311-1608-00			RES, VAR, NONWW: CKT BD, 20 OHM, 20%, 0.5W	0000M	311-1608-00	
A02R234	----			(318 ONLY)			
A02R234	307-0871-00			RES NTWK, FXD, FI: 4, 100 OHM, 5%, 0.1W	0000M	307-0871-00	
A02R234	----			(338 ONLY)			
A02R236	315-0103-00			RES., FXD, CMPSN: 10K OHM, 5%, 0.25W	57668	NTR25J-E10K0	
A02R236	----			(318 ONLY)			
A02R238	321-0187-00			RES., FXD, FILM: 866 OHM, 1%, 0.125W	91637	MFF1816G866R0F	
A02R238	----			(318 ONLY)			
A02R238	307-0872-00			RES NTWK, FXD, FI: 4, 3.9K OHM, 2%, 0.1W	0000M	307-0872-00	
A02R238	----			(338 ONLY)			
A02R239	311-1612-00			RES., VAR, NONWW: CKT, 100 OHM, 20%, 0.5W	0000M	311-1612-00	
A02R239	----			(318 ONLY)			
A02R240	321-0210-00			RES., FXD, FILM: 1.5K OHM, 1%, 0.125W	91637	MFF1816G15000F	
A02R240	----			(318 ONLY)			
A02R250	321-0929-07			RES., FXD, FILM: 2.5K OHM, 0.10%, 0.125W	91637	CMF55116C25000B	
A02R250	----			(318 ONLY)			
A02R252	315-0392-00			RES., FXD, CMPSN: 3.9K OHM, 5%, 0.25W	57668	NTR25J-E03K9	
A02R252	----			(318 ONLY)			

TM 11-6625-3145-14
Replaceable Electrical Parts-318/338 Service

Component No.	Tektronix		Serial/Model No.		Name & Description	Mfr	
	Part No.	Eff	Dscont	Code		Mfr. Part Number	
A02R254	315-0102-00				RES., FXD, CMPSN: 1K OHM, 5%, 0.25W (318 ONLY)	57668	NTR25JE01K0
A02R254	----						
A02R256	315-0101-00				RES., FXD, CMPSN: 100 OHM, 5%, 0.25W (318 ONLY)	57668	NTR25J-E 100E
A02R256	----						
A02R258	321-0929-07				RES., FXD, FILM: 2.5K OHM, 0.10%.0.125W (318 ONLY)	91637	CMF55116C25000B
A02R258	----						
A02R260	315-0392-00				RES., FXD, CMPSN: 3.9K OHM, 5%, 0.25W (318 ONLY)	57668	NTR25J-E03K9
A02R260	----						
A02R262	315-0101-00				RES., FXD, CMPSN: 100 OHM, 5%, 0.25W (318 ONLY)	57668	NTR25J-E 100E
A02R262	----						
A02R264	315-0102-00				RES., FXD, CMPSN: 1K OHM, 5%, 0.25W (318 ONLY)	57668	NTR25JE01K0
A02R264	----						
A02R264	315-0272-00				RES., FXD, CMPSN: 2.7K OHM, 5%, 0.25W (338 ONLY)	57668	NTR25J-E02K7
A02R264	----						
A02R266	307-0103-00				RES., FXD, CMPSN: 2.7 OHM, 5%, 0.25W (318 ONLY)	01121	CB27G5
A02R266	----						
A02R266	315-0622-00				RES., FXD, CMPSN: 6.2K OHM, 5%, 0.25W (338 ONLY)	01121	CB6225
A02R266	----						
A02R268	315-0101-00				RES., FXD, CMPSN: 100 OHM, 5%, 0.25W (318 ONLY)	57668	NTR25J-E 100E
A02R268	----						
A02R268	315-0102-00				RES., FXD, CMPSN: 1K OHM, 5%, 0.25W (338 ONLY)	57668	NTR25JE01K0
A02R268	----						
A02R270	315-0101-00				RES., FXD, CMPSN: 100 OHM, 5%, 0.25W (318 ONLY)	57668	NTR25J-E 100E
A02R270	----						
A02R270	315-0272-00				RES., FXD, CMPSN: 2.7K OHM, 5%, 0.25W (338 ONLY)	57668	NTR25J-E02K7
A02R270	----						
A02R272	315-0470-00				RES., FXD, CMPSN: 47 OHM, 5%, 0.25W (338 ONLY)	57668	NTR25J-E47E0
A02R272	----						
A02R274	321-0481-04				RES., FXD, FILM: 1M OHM, 0.1%, 0.125W (338 ONLY)	91637	CMF55116D10003B
A02R274	----						
A02R276	315-0104-00				RES., FXD, CMPSN: 100K OHM, 5%, 0.25W (338 ONLY)	57668	NTR25J-E100K
A02R276	----						
A02R278	321-0030-00				RES., FXD, FILM: 20 OHM, 1%, 0.125W (338 ONLY)	91637	CMF55116G20R00F
A02R278	----						
A02R280	315-0100-00				RES., FXD, CMPSN: 10 OHM, 5%, 0.25W (338 ONLY)	57668	NTR25J-E 10E0
A02R280	----						
A02R282	307-0103-00				RES., FXD, CMPSN: 2.7 OHM, 5%, 0.25W (338 ONLY)	01121	CB27G5
A02R282	----						
A02R284	311-1608-00				RES., VAR, NONWW: CKT BD, 20 OHM, 20%, 0.5W (338 ONLY)	0000M	311-1608-00
A02R284	----						
A02R286	321-0187-00				RES., FXD, FILM: 866 OHM, 1%, 0.125W (338 ONLY)	91637	MFF1816G866R0F
A02R286	----						
A02R287	311-1612-00				RES., VAR, NONWW: CKT, 100 OHM, 20%, 0.5W (338 ONLY)	0000M	311-1612-00
A02R287	----						
A02R288	321-0210-00				RES., FXD, FILM: 1.5K OHM, 1%, 0.125W (338 ONLY)	91637	MFF1816G15000F
A02R288	----						
A02R290	321-0247-00				RES., FXD, FILM: 3.65K OHM, 1%, 0.125W (338 ONLY)	91637	MFF1816G36500F
A02R290	----						
A02R292	321-0207-00				RES., FXD, FILM: 1.4K OHM, 1%, 0.125W (338 ONLY)	91637	MFF1816G14000F
A02R292	----						
A02R294	315-0511-00				RES., FXD, CMPSN: 510 OHM, 5%, 0.25W (338 ONLY)	01121	CB5115
A02R294	----						
A02R296	315-0101-00				RES., FXD, CMPSN: 100 OHM, 5%, 0.25W (338 ONLY)	57668	NTR25J-E 100E
A02R296	----						

TM 11-6625-3145-14
Replaceable Electrical Parts-318/338 Service

Component No.	Tektronix		Serial/Model No.		Name & Description	Mfr	
	Part No.	Eff	Dscont	Code		Mfr. Part Number	
A02R300	315-0622-00				RES., FXD, CMPSN: 6.2K OHM, 5%, 0.25W	01121	CB6225
A02R300	----				(318 ONLY)		
A02R300	321-0929-07				RES., FXD, FILM: 2.5K OHM, 0.10%, 0.125W	91637	CMF55116C25000B
A02R300	----				(338 ONLY)		
A02R302	311-2084-00	.300101	.300815		RES., VAR, NONWIR: TRMR, 500 OHM, 10%, 0.5W	0000M	311-2084-00
A02R302	----				(318 ONLY)		
A02R302	311-2084-01	.300816			RES, VAR, NONWW: 500 OHM, 20%, 0.5W	0000M	311-2084-01
A02R302	----				(318 ONLY)		
A02R302	321-0929-07				RES., FXD, FILM: 2.5K OHM, 0.10%, 0.125W	91637	CMF55116C25000B
A02R302	----				(338 ONLY)		
A02R304	321-0929-07				RES., FXD, FILM: 2.5K OHM, 0.10%, 0.125W	91637	CMF55116C25000B
A02R306	315-0622-00				RES., FXD, CMPSN: 6.2K OHM, 5%, 0.25W	01121	CB6225
A02R306	----				(318 ONLY)		
A02R306	321-0929-07				RES., FXD, FILM: 2.5K OHM, 0.10%, 0.125W	91637	CMF55116C25000B
A02R306	----				(338 ONLY)		
A02R308	311-2084-00	.300101	.300815		RES., VAR, NONWIR: TRMR, 500 OHM, 10%, 0.5W	0000M	311-2084-00
A02R308	----				(318 ONLY)		
A02R308	311-2084-01	.300816			RES, VAR, NONWW: 500 OHM, 20%, 0.5W	0000M	311-2084-01
A02R308	----				(318 ONLY)		
A02R308	321-0929-07				RES., FXD, FILM: 2.5K OHM, 0.10%, 0.125W	91637	CMF55116C25000B
A02R308	----				(338 ONLY)		
A02R310	321-0929-07				RES., FXD, FILM: 2.5K OHM, 0.10%/o, 0.125W	91637	CMF55116C25000B
A02R312	315-0511-00				RES., FXD, CMPSN: 510 OHM, 5%, 0.25W	01121	CB5115
A02R312	----				(318 ONLY)		
A02R312	321-0929-07				RES., FXD, FILM: 2.5K OHM, 0.10%, 0.125W	91637	CMF55116C25000B
A02R312	----				(338 ONLY)		
A02R314	315-0510-00				RES., FXD, CMPSN: 51 OHM, 5%, 0.25W	57668	NTR25J-E51 E0
A02R314	----				(318 ONLY)		
A02R314	321-0929-07				RES., FXD, FILM: 2.5K OHM, 0.10%, 0.125W	91637	CMF55116C25000B
A02R314	----				(338 ONLY)		
A02R316	315-0432-00				RES., FXD, CMPSN: 4.3K OHM, 5%, 0.25W	57668	NTR25J-E04K3
A02R316	----				(318 ONLY)		
A02R316	307-0886-00				RES NTWK, FXD, FI: 4, 1K OHM, 5%, 0.1W	0000M	307-0886-00
A02R316	----				(338 ONLY)		
A02R318	315-0511-00				RES., FXD, CMPSN: 510 OHM, 5%, 0.25W	01121	CB5115
A02R318	----				(318 ONLY)		
A02R318	307-0873-00				RES NTWK, FXD, FI: 4, 6.2K OHM, 2%, 0.1W	0000M	307-0873-00
A02R318	----				(338 ONLY)		
A02R320	315-0511-00				RES., FXD, CMPSN: 510 OHM, 5%, 0.25W	01121	CB5115
A02R320	----				(318 ONLY)		
A02R320	311-2084-00	.300101	.300895		RES., VAR, NONWIR: TRMR, 500 OHM, 10%, 0.5W	0000M	311-2084-00
A02R320	----				(338 ONLY)		
A02R320	311-2084-01	.300896			RES, VAR, NONWW: 500 OHM, 20%, 0.5W	0000M	311-2084-01
A02R320	----				(338 ONLY)		
A02R322	315-0511-00				RES., FXD, CMPSN: 510 OHM, 5%, 0.25W	01121	CB5115
A02R322	----				(318 ONLY)		
A02R322	311-2084-00	.300101	.300895		RES., VAR, NONWIR: TRMR, 500 OHM, 10%/ , 0.5W	0000M	311-2084-00
A02R322	----				(338 ONLY)		
A02R322	311-2084-01	.300896			RES, VAR, NONWW: 500 OHM, 20%, 0.5W	0000M	311-2084-01
A02R322	----				(338 ONLY)		
A02R324	315-0510-00	.300101	.300280		RES., FXD, CMPSN: 51 OHM, 5%, 0.25W	57668	NTR25J-E51 E0
A02R324	----				(318 ONLY)		
A02R324	315-0152-00	.300281			RES., FXD, CMPSN: 1.5K OHM, 5%, 0.25W	57668	NTR25J-E01 K5
A02R324	----				(318 ONLY)		

TM 11-6625-3145-14
Replaceable Electrical Parts-318/338 Service

Component No.	Tektronix	Serial/Model No.		Name & Description	Mfr	
	Part No.	Eff	Dscont		Code	Mfr. Part Number
A02R324	311-2084-00	.300101	.300895	RES., VAR, NONWIR: TRMR, 500 OHM, 10%, 0.5W	0000M	311-2084-00
A02R324	----			(338 ONLY)		
A02R324	311-2084-01	.300896		RES, VAR, NONWW: 500 OHM, 20%, 0.5W	0000M	311-2084-01
A02R324	----			(338 ONLY)		
A02R326	315-0100-00			RES., FXD, CMPSN: 10 OHM, 5%, 0.25W	57668	NTR25J-E 10E0
A02R326	----			(318 ONLY)		
A02R326	311-2084-00	.300101	.300895	RES., VAR, NONWIR: TRMR, 500 OHM, 10%, 0.5W	0000M	311-2084-00
A02R326	----			(338 ONLY)		
A02R326	311-2084-01	.300896		RES, VAR, NONWW: 500 OHM, 20%, 0.5W	0000M	311-2084-01
A02R326	----			(338 ONLY)		
A02R328	315-0100-00			RES., FXD, CMPSN: 10 OHM, 5%, 0.25W	57668	NTR25J-E 10E0
A02R328	----			(318 ONLY)		
A02R328	315-0102-00			RES., FXD, CMPSN: 1K OHM, 5%, 0.25W	57668	NTR25JE01K0
A02R328	----			(338 ONLY)		
A02R330	315-0101-00			RES., FXD, CMPSN: 100 OHM, 5%, 0.25W	57668	NTR25J-E 100E
A02R330	----			(318 ONLY)		
A02R330	315-0432-00	.300101	.300114	RES., FXD, CMPSN: 4.3K OHM, 5%, 0.25W	57668	NTR25J-E04K3
A02R330	----			(338 ONLY)		
A02R330	315-0362-00	.300115		RES., FXD, CMPSN: 3.6K OHM, 5%, 0.25W	01121	CB3625
A02R330	----			(338 ONLY)		
A02R332	315-0511-00			RES., FXD, CMPSN: 510 OHM, 5%, 0.25W	01121	CB5115
A02R332	----			(338 ONLY)		
A02R334	315-0103-00			RES., FXD, CMPSN: 10K OHM, 5%, 0.25W	57668	NTR25J-E10K0
A02R334	----			(318 ONLY)		
A02R334	315-0511-00	.300101	.300114	RES., FXD, CMPSN: 51'0 OHM, 5%, 0.25W	01121	CB5115
A02R334	----			(338 ONLY)		
A02R334	315-0510-00	.300115	.300115	RES., FXD, CMPSN: 51 OHM, 5%, 0.25W	57668	NTR25J-E51 E0
A02R334	----			(338 ONLY)		
A02R334	315-0152-00	.300116		RES., FXD, CMPSN: 1.5K OHM, 5%, 0.25W	57668	NTR25J-E01K5
A02R334	----			(338 ONLY)		
A02R336	321-0261-00			RES., FXD, FILM: 5.11K OHM, 1%, 0.125W	91637	MFF1816G51100F
A02R336	----			(318 ONLY)		
A02R336	315-0511-00			RES., FXD, CMPSN: 510 OHM, 5%, 0.25W	01121	CB5115
A02R336	----			(338 ONLY)		
A02R338	321-0317-00			RES., FXD, FILM: 19.6K OHM, 1%, 0.125W	91637	MFF1816G19601F
A02R338	----			(318 ONLY)		
A02R338	315-0511-00			RES., FXD, CMPSN: 510 OHM, 5%, 0.25W	01121	CB5115
A02R338	----			(338 ONLY)		
A02R340	315-0511-00			RES., FXD, CMPSN: 510 OHM, 5%, 0.25W	01121	CB5115
A02R340	----			(338 ONLY)		
A02R342	315-0510-00			RES., FXD, CMPSN: 51 OHM, 5%, 0.25W	57668	NTR25J-E51E0
A02R342	----			(338 ONLY)		
A02R344	315-0100-00			RES., FXD, CMPSN: 10 OHM, 5%, 0.25W	57668	NTR25J-E 10E0
A02R344	----			(338 ONLY)		
A02R346	315-0100-00			RES., FXD, CMPSN: 10 OHM, 5%, 0.25W	57668	NTR25J-E 10E0
A02R346	----			(338 ONLY)		
A02R348	315-0103-00			RES., FXD, CMPSN: 10K OHM, 5%, 0.25W	57668	NTR25J-E10K0
A02R348	----			(338 ONLY)		
A02R350	315-0102-00			RES., FXD, CMPSN: 1K OHM, 5%, 0.25W	57668	NTR25JE01K0
A02R350	----			(318 ONLY)		
A02R350	315-0472-00			RES., FXD, CMPSN: 4.7K OHM, 5%, 0.25W	57668	NTR25J-E04K7
A02R350	----			(338 ONLY)		
A02R352	321-0261-00			RES., FXD, FILM: 5.11K OHM, 1%, 0.125W	91637	MFF1816G51100F
A02R352	----			(338 ONLY)		

TM 11-6625-3145-14
Replaceable Electrical Parts-318/338 Service

Component No.	Tektronix		Serial/Model No.		Name & Description	Mfr	
	Part No.	Eff	Dscont	Code		Mfr. Part Number	
A02R354	315-0101-00				RES., FXD, CMPSN: 100 OHM, 5%, 0.25W	57668	NTR25J-E 100E
A02R354	----				(338 ONLY)		
A02R356	321-0317-00				RES., FXD, FILM: 19.6K OHM, 1%, 0.125W	91637	MFF1816G19601F
A02R356	----				(338 ONLY)		
A02TP200	214-0579-00				TERM, TEST POINT: BRS CD PL	80009	214-0579-00
A02TP200	----				(338 ONLY)		
A02TP202	214-0579-00				TERM, TEST POINT: BRS CD PL	80009	214-0579-00
A02TP202	-----				(338 ONLY)		
A02TP204	214-0579-00				TERM, TEST POINT: BRS CD PL	80009	214-0579-00
A02TP206	214-0579-00				TERM, TEST POINT: BRS CD PL	80009	214-0579-00
A02TP206	----				(318 ONLY)		
A02U200	156-0860-00				MICROCIRCUIT, DI: TRIPLE LINE RECEIVER	80009	156-0860-00
A02U200	----				(318 ONLY)		
A02U200	155-0215-00				MICROCIRCUIT, DI: LOGIC ANALYZER INPUT, 16 DIP	80009	155-0215-00
A02U200	----				(338 ONLY)		
A02U202	155-0215-00				MICROCIRCUIT, DI: LOGIC ANALYZER INPUT, 16 DIP	80009	155-0215-00
A02U204	, 55-0215-00				MICROCIRCUIT, DI: LOGIC ANALYZER INPUT, 16 DIP	80009	155-0215-00
A02U206	, 55-0215-00				MICROCIRCUIT, DI: LOGIC ANALYZER INPUT, 16 DIP	80009	155-0215-00
A02U208	155-0215-00				MICROCIRCUIT, DI: LOGIC ANALYZER INPUT, 16 DIP	80009	155-0215-00
A02U210	155-0215-00				MICROCIRCUIT, DI: LOGIC ANALYZER INPUT, 16 DIP	80009	155-0215-00
A02U212	155-0215-00				MICROCIRCUIT, DI: LOGIC ANALYZER INPUT, 16 DIP	80009	155-0215-00
A02U214	155-0215-00				MICROCIRCUIT, DI: LOGIC ANALYZER INPUT, 16 DIP	80009	155-0215-00
A02U216	155-0215-00				MICROCIRCUIT, DI: LOGIC ANALYZER INPUT, 16 DIP	80009	155-0215-00
A02U216	----				(318 ONLY)		
A02U216	156-1769-00				MICROCIRCUIT, LI: ULTRA FIRST COMPARATOR DUAL	0000M	156-1769-00
A02U216	----				(338 ONLY)		
A02U218	156-0651-00	.300101	.300280		MICROCIRCUIT, DI: 8-BIT PRL-OUT SER SHF RGTR	01295	SN74LS164NP3
A02U218	----				(318 ONLY)		
A02U218	156-0651-02	.300281			MICROCIRCUIT, DI: 8 BIT PRL-OUT SER SHF RGTR	01295	SN74LS164(NP3 0R
A02U218	----				(318 ONLY)		
A02U218	156-1773-00	.300101	.300745		MICROCIRCUIT, DI: 256 WORD X 4 BIT RAM	0000M	156-1773-00
A02U218	----				(338 ONLY)		
A02U218	156-1635-00	.300746			MICROCIRCUIT, DI: 256 X 4 SRAM, 24 PIN DIP, CER	27014	DM10422A
A02U218	----				(338 ONLY)		
A02U220	156-1773-00	.300101	.300720		MICROCIRCUIT, DI: 256 WORD X 4 BIT RAM	0000M	156-1773-00
A02U220	----				(318 ONLY)		
A02U220	156-1635-00	.300721			MICROCIRCUIT, DI: 256 X 4 SRAM, 24 PIN DIP, CER	27014	DM10422A
A02U220	----				(318 ONLY)		
A02U220	156-1038-00				MICROCIRCUIT, DI: 4 BIT BINARY COUNTER	80009	156-1038-00
A02U220	----				(338 ONLY)		
A02U222	156-0757-00				MICROCIRCUIT, DI: DUAL 3-IN, 3-OUT GATE	04713	MC10211(P OR L)
A02U222	----				(318 ONLY)		
A02U222	156-1038-00				MICROCIRCUIT, DI: 4 BIT BINARY COUNTER	80009	156-1038-00
A02U222	----				(338 ONLY)		
A02U224	156-0633-00				MICROCIRCUIT, DI: HEX D MASTER SLAVE F-F	80009	156-0633-00
A02U224	----				(318 ONLY)		
A02U224	156-0651-00	.300101	.300150		MICROCIRCUIT, DI: 8-BIT PRL-OUT SER SHF RGTR	01295	SN74LS164NP3
A02U224	----				(338 ONLY)		
A02U224	156-0651-02	.300151			MICROCIRCUIT, DI: 8 BIT PRL-OUT SER SHF RGTR	01295	SN74LS164(NP3 OR
A02U224	----				(338 ONLY)		
A02U226	156-0757-00				MICROCIRCUIT, DI: DUAL 3-IN, 3-OUT GATE	04713	MC10211(P OR L)
A02U226	----				(318 ONLY)		
A02U226	156-1784-00				MICROCIRCUIT, LI: DUAL COMPARATOR	0000M	156-1784-00
A02U226	----				(338 ONLY)		

TM 11-6625-3145-14
Replaceable Electrical Parts-318/338 Service

Component No.	Tektronix	Serial/Model No.		Name & Description	Mfr	Mfr. Part Number
	Part No.	Eff	Dscont		Code	
A02U228	156-0633-00			MICROCIRCUIT, DI: HEX D MASTER SLAVE F-F	80009	156-0633-00
A02U228	----			(318 ONLY)		
A02U228	156-0757-00			MICROCIRCUIT, DI: DUAL 3-IN, 3-OUT GATE	04713	MC10211(P OR L)
A02U228				(338 ONLY)		
A02U230	156-1038-00			MICROCIRCUIT, DI: 4 BIT BINARY COUNTER	80009	156-1038-00
A02U230	----			(318 ONLY)		
A02U230	156-0757-00			MICROCIRCUIT, DI: DUAL 3-IN, 3-OUT GATE	04713	MC10211(P OR L)
A02U230	----			(338 ONLY)		
A02U232	156-1038-00			MICROCIRCUIT, DI: 4 BIT BINARY COUNTER	80009	156-1038-00
A02U232	----			(318 ONLY)		
A02U232	156-1773-00			MICROCIRCUIT, DI: 256 WORD X 4 BIT RAM	0000M	156-1773-00
A02U232	----			(338 ONLY)		
A02U234	156-0633-00			MICROCIRCUIT, DI: HEX D MASTER SLAVE F-F	80009	156-0633-00
A02U236	156-1769-00			MICROCIRCUIT, LI: ULTRA FIRST COMPARATOR	0000M	156-1769-00
				DUAL		
A02U236	----			(318 ONLY)		
A02U236	156-0308-05			MICROCIRCUIT, DI: RECEIVER QUAD DIFF LINE	0000M	156-0308-05
A02U236	----			(338 ONLY)		
A02U238	156-0633-00			MICROCIRCUIT, DI: HEX D MASTER SLAVE F-F	80009	156-0633-00
				(318 ONLY)		
A02U238	----					
A02U238	156-0308-05			MICROCIRCUIT, DI: RECEIVER QUAD DIFF LINE	0000M	156-0308-05
A02U238	----			(338 ONLY)		
A02U240	156-1783-00			MICROCIRCUIT, LI: QUAD COMPARATOR	0000M	156-1783-00
A02U240	----			(318 ONLY)		
A02U240	156-0308-05			MICROCIRCUIT, DI: RECEIVER QUAD DIFF LINE	0000M	156-0308-05
				(338 ONLY)		
A02U240	----					
A02U242	156-0158-00			MICROCIRCUIT, LI: DUAL OPERATIONAL AMPLIFIER	18324	MC1458N
A02U242	----			(318 ONLY)		
A02U242	156-1265-00			MICROCIRCUIT, LI: OPNL AMPL, QUAD	0000M	156-1265-00
A02U242	----			(338 ONLY)		
A02U244	156-0205-00			MICROCIRCUIT, DI: QUAD 2-INPUT NOR GATE	04713	MC10102 (P OR L)
				(318 ONLY)		
A02U244	----					
A02U244	156-0308-05			MICROCIRCUIT, DI: RECEIVER QUAD DIFF LINE	0000M	156-0308-05
A02U244	----			(338 ONLY)		
A02U246	156-0308-05			MICROCIRCUIT, DI: RECEIVER QUAD DIFF LINE	0000M	156-0308-05
A02U246	----			(338 ONLY)		
A02U248	156-0308-05			MICROCIRCUIT, DI: RECEIVER QUAD DIFF LINE	0000M	156-0308-05
				(338 ONLY)		
A02U248	----					
A02U250	156-0308-05			MICROCIRCUIT, DI: RECEIVER QUAD DIFF LINE	0000M	156-0308-05
A02U250	----			(338 ONLY)		
A02U252	156-0205-00			MICROCIRCUIT, DI: QUAD 2-INPUT NOR GATE	04713	MC10102 (P OR L)
A02U252	----			(338 ONLY)		

TM 11-6625-3145-14
Replaceable Electrical Parts-318/338 Service

Component No.	Tektronix Serial/Model No.		Name & Description	Mfr	
	Part No.	Eff Dscont		Code	Mfr. Part Number
A03	670-7815-00		CKT BOARD ASSY: ACQ CONTROL	80009	670-7815-00
A03	----		(318 ONLY)		
A03	670-7822-00		CKT BOARD ASSY: ACQ CONNECTOR	80009	670-7822-00
A03	----		(338 ONLY)		
A03C100	281-0257-00		CAP., VAR, CER DI: 4-28PF, 250V	0000M	281-0257-00
A03C102	281-0257-00		CAP., VAR, CER DI: 4-28PF, 250V	0000M	281-0257-00
A03C104	281-0257-00		CAP., VAR, CER DI: 4-28PF, 250V	0000M	281-0257-00
A03C 106	281-0257-00		CAP., VAR, CER DI: 4-28PF, 250V	0000M	281-0257-00
A03C200	290-0995-00		CAP., FXD, ELCTLT: 47UF, 20%, 16V	0000M	290-0995-00
A03C202	281-0775-00		CAP., FXD, CER DI: 0.1UF, 20%, 50V	04222	MA205E104MAA
A03C204	281-0775-00		CAP., FXD, CER DI: 0.1UF, 20%, 50V	04222	MA205E104MAA
A03C206	281-0775-00		CAP., FXD, CER DI: 0.1UF, 20%, 50V	04222	MA205E104MAA
A03C208	281-0775-00		CAP., FXD, CER DI: 0.1UF, 20%, 50V	04222	MA205E104MAA
A03C210	281-0775-00		CAP., FXD, CER DI: 0.1UF, 20%, 50V	04222	MA205E104MAA
A03C212	281-0775-00		CAP., FXD, CER DI: 0.1UF, 20%, 50V	04222	MA205E104MAA
A03C214	281-0775-00		CAP., FXD, CER DI: 0.1UF, 20%, 50V	04222	MA205E104MAA
A03C216	281-0775-00		CAP., FXD, CER DI: 0.1UF, 20%, 50V	04222	MA205E104MAA
A03C218	281-0775-00		CAP., FXD, CER DI: 0.1UF, 20%, 50V	04222	MA205E104MAA
A03C220	281-0775-00		CAP., FXD, CER DI: 0.1UF, 20%, 50V	04222	MA205E104MAA
A03C222	281-0775-00		CAP., FXD, CER DI: 0.1UF, 20%, 50V	04222	MA205E104MAA
A03C224	281-0775-00		CAP., FXD, CER DI: 0.1UF, 20%, 50V	04222	MA205E104MAA
A03C226	281-0775-00		CAP., FXD, CER DI: 0.1UF, 20%, 50V	04222	MA205E104MAA
A03C228	281-0775-00		CAP., FXD, CER DI: 0.1UF, 20%, 50V	04222	MA205E104MAA
A03C230	281-0775-00		CAP., FXD, CER DI: 0.1UF, 20%, 50V	04222	MA205E104MAA
A03C232	290-0995-00		CAP., FXD, ELCTLT: 47UF, 20%, 16V	0000M	290-0995-00
A03C234	281-0775-00		CAP., FXD, CER DI: 0.1UF, 20%, 50V	04222	MA205E104MAA
A03C236	281-0775-00		CAP., FXD, CER DI: 0.1UF, 20%, 50V	04222	MA205E104MAA
A03C238	281-0775-00		CAP., FXD, CER DI: 0.1UF, 20%, 50V	04222	MA205E104MAA
A03C240	281-0775-00		CAP., FXD, CER DI: 0.1UF, 20%, 50V	04222	MA205E104MAA
A03C242	281-0775-00		CAP., FXD, CER DI: 0.1UF, 20%, 50V	04222	MA205E104MAA
A03C244	290-0995-00		CAP., FXD, ELCTLT: 47UF, 20%, 16V	0000M	290-0995-00
A03C246	281-0775-00		CAP., FXD, CER DI: 0.1UF, 20%, 50V	04222	MA205E104MAA
A03C300	281-0775-00		CAP., FXD, CER DI: 0.1UF, 20%, 50V	04222	MA205E104MAA
A03C330	281-0775-00		CAP., FXD, CER DI: 0.1UF, 20%, 50V	04222	MA205E104MAA
A03C332	281-0775-00		CAP., FXD, CER DI: 0.1UF, 20%, 50V	04222	MA205E104MAA
A03C334	281-0775-00		CAP., FXD, CER DI: 0.1UF, 20%, 50V	04222	MA205E104MAA
A03C336	281-0775-00		CAP., FXD, CER DI: 0.1UF, 20%, 50V	04222	MA205E104MAA
A03C338	281-0775-00		CAP., FXD, CER DI: 0.1UF, 20%, 50V	04222	MA205E104MAA
A03C360	281-0775-00		CAP., FXD, CER DI: 0.1UF, 20%, 50V	04222	MA205E104MAA
A03DL100	119-1612-01		DELAY LINE, ELEC: 20NS, 100 OHMS, TAPPED	0000M	119-1612-01
A03DL102	119-1611-01		DELAY LINE, ELEC: 20NS, 100 OHMS, TAPPED	0000M	119-1611-01
A03DL104	119-1612-01		DELAY LINE, ELEC: 20NS, 100 OHMS, TAPPED	0000M	119-1612-01
A03DL106	119-1614-01		DELAY LINE, ELEC: 5NS, 100 OHMS, TAPPED	0000M	119-1614-01
A03J050	131-2872-00		CONN, RCPT, ELEC HEADER, 2 X 4, 2.54 SPACING		
A03J050	----		(318 ONLY)		
A03J200	131-2230-01		CONN, RCPT, ELEC: HEADER, 2 X 8, 2.54 SPACING		
A03J300	131-2933-00		CONN, RCPT, ELEC: HEADER, STRAIGHT, 2 X 6	0000M	131-2933-00
A03J400	131-2933-00		CONN, RCPT, ELEC: HEADER, STRAIGHT, 2 X 6	0000M	131-2933-00
A03R100	307-0876-00		RES NTWK, FXD, FI: 8, 100 OHM, 5%, 0.125W	000 M	307-0876-00
A03R102	307-0876-00		RES NTWK, FXD, FI: 8, 100 OHM, 5%, 0.125W	000 M	307-0876-00
A03R104	307-0876-00		RES NTWK, FXD, FI: 8, 100 OHM, 5%, 0.125W	000 M	307-0876-00
A03R106	307-0876-00		RES NTWK, FXD, FI: 8, 100 OHM, 5%, 0.125W	000 M	307-0876-00
A03R108	307-0876-00		RES NTWK, FXD FI: 8, 100 OHM, 5%, 0.125W	000 M	307-0876-00
A03R110	307-0877-00		RES NTWK, FXD, FI: 8, 510 OHM, 5%, 0.125W	000 M	307-0877-00

TM 11-6625-3145-14
Replaceable Electrical Parts-318/338 Service

Component No.	Tektronix		Serial/Model No.		Name & Description	Mfr	
	Part No.	Eff	Dscont	Code		Mfr. Part Number	
A03R112	307-0876-00				RES NTWK, FXD, FI: 8, 100 OHM, 5%, 0.125W	0000M	307-0876-00
A03R114	307-0879-00				RES NTWK, FXD, FI: 4, 51 OHM, 5%, 0.125W	0000M	307-0879-00
A03R116	307-0876-00				RES NTWK, FXD, FI: 8, 100 OHM, 5%, 0.125W	0000M	307-0876-00
A03R118	307-0877-00				RES NTWK, FXD, FI: 8, 510 OHM, 5%, 0.125W	0000M	307-0877-00
A03R120	307-0876-00				RES NTWK, FXD, FI: 8, 100 OHM, 5%, 0.125W	0000M	307-0876-00
A03R122	315-0102-00				RES., FXD, CMPSN: 1K OHM, 5%, 0.25W	57668	NTR25JE01KO
A03R124	315-0102-00				RES., FXD, CMPSN: 1K OHM, 5%, 0.25W	57668	NTR25JE01KO
A03R126	315-0102-00				RES., FXD, CMPSN: 1K OHM, 5%, 0.25W	57668	NTR25JE01KO
A03R130	315-0100-00				RES., FXD, CMPSN: 10 OHM, 5%, 0.25W	57668	NTR25J-E 10EO
A03R132	315-0101-00				RES., FXD, CMPSN: 100 OHM, 5%, 0.25W	57668	NTR25J-E 100E
A03R134	315-0101-00				RES., FXD, CMPSN: 100 OHM, 5%, 0.25W	57668	NTR25J-E 100E
A03R136	315-0101-00				RES., FXD, CMPSN: 100 OHM, 5%, 0.25W	57668	NTR25J-E 100E
A03R150	307-0878-00				RES NTWK, FXD, FI: 4, 1K OHM, 5%, 0.125W	0000M	307-0878-00
A03R152	307-0878-00				RES NTWK, FXD, FI: 4, 1K OHM, 5%, 0.125W	0000M	307-0878-00
A03R154	307-0878-00				RES NTWK, FXD, FI: 4, 1K OHM, 5%, 0.125W	0000M	307-0878-00
A03R160	307-0876-00				RES NTWK, FXD, FI: 8, 100 OHM, 5%, 0.125W	0000M	307-0876-00
A03R180	307-0877-00				RES NTWK, FXD, FI: 8, 510 OHM, 5%, 0.125W	0000M	307-0877-00
A03TP100	214-0579-00				TERM, TEST POINT: BRS CD PL	80009	214-0579-00
A03TP200	214-0579-00				TERM, TEST POINT: BRS CD PL	80009	214-0579-00
A03U100	156-0631-00				MICROCIRCUIT, DI: QUAD 2-INPUT, OR/NOR GATE	04713	MC10101P
A03U100	---- ----				(338 ONLY)		
A03U102	156-0520-02				MICROCIRCUIT, DI: QUAD LATCH D-TYPE NEG	0000M	156-0520-02
A03U102	---- ----				CLOCK		
A03U104	156-0520-02				(338 ONLY)	0000M	156-0520-02
A03U104	---- ----				MICROCIRCUIT, DI: QUAD LATCH D-TYPE NEG	0000M	156-0520-02
A03U104	---- ----				CLOCK		
A03U106	156-0633-00				(338 ONLY)	80009	156-0633-00
A03U108	156-0633-00				MICROCIRCUIT, DI: HEX D MASTER SLAVE F-F	80009	156-0633-00
A03U110	156-1495-01				MICROCIRCUIT, DI: HEX D MASTER SLAVE F-F	80009	156-1495-01
A03U112	156-1495-01				MICROCIRCUIT, DI: 1 OF 8 DECODER	0000M	156-1495-01
A03U114	156-0295-00				MICROCIRCUIT, DI: 1 OF 8 DECODER	0000M	156-1495-01
A03U114	---- ----				MICROCIRCUIT, DI: TRIPLE EXCL OR EXCL NOR	80009	156-0295-00
A03U114	---- ----				(338 ONLY)		
A03U116	156-0295-00				MICROCIRCUIT, DI: TRIPLE EXCL OR EXCL NOR	80009	156-0295-00
A03U118	156-0295-00				MICROCIRCUIT, DI: TRIPLE EXCL OR EXCL NOR	80009	156-0295-00
A03U122	156-0458-00				MICROCIRCUIT, DI: QUAD AND GATE, 2-INP	04713	MC10104L
A03U124	156-0230-00				MICROCIRCUIT, DI: DUAL D MA-SLAVE FLIP-FLOP	04713	MC10131 (L OR P)
A03U126	156-0205-00				MICROCIRCUIT, DI: QUAD 2-INPUT NOR GATE	04713	MC10102 (P OR L)
A03U128	156-0880-04				MICROCIRCUIT, DI: DUAL D-TYPE MASTER SLAVE	0000M	156-0880-04
A03U130	156-0880-04				MICROCIRCUIT, DI: DUAL D-TYPE MASTER SLAVE	0000M	156-0880-04
A03U132	156-0880-04				MICROCIRCUIT, DI: DUAL D-TYPE MASTER SLAVE	0000M	156-0880-04
A03U134	156-0880-04				MICROCIRCUIT, DI: DUAL D-TYPE MASTER SLAVE	0000M	156-0880-04
A03U136	156-0880-04				MICROCIRCUIT, DI: DUAL D-TYPE MASTER SLAVE	0000M	156-0880-04
A03U138	156-0880-04				MICROCIRCUIT, DI: DUAL D-TYPE MASTER SLAVE	0000M	156-0880-04
A03U140	156-1021-02				MICROCIRCUIT, DI: HEX & GATE	0000M	156-1021-02
A03U142	156-0308-05				MICROCIRCUIT, DI: RECEIVER QUAD DIFF LINE	0000M	156-0308-05
A03U144	156-1773-00	.300101	.300720		MICROCIRCUIT, DI: 256 WORD X 4 BIT RAM	0000M	156-1773-00
A03U144	---- ----				(318 ONLY)		
A03U144	156-1635-00	.300721			MICROCIRCUIT, DI: 256 X 4 SRAM, 24 PIN DIP, CER	27014	DM10422A
A03U144	---- ----				(318 ONLY)		
A03U144	156-1733-00	.300101	.300745		MICROCIRCUIT, DI: QUAD OR/NOR GATE,	04713	MC10H101(PD OR L
A03U144	---- ----				SCREENED		
A03U144	---- ----				(338 ONLY)		
A03U144	156-1635-00	.300746			MICROCIRCUIT, DI: 256 X 4 SRAM, 24 PIN DIP, CER	27014	DM10422A
A03U144	---- ----				(338 ONLY)		
A03U146	156-0632-03				MICROCIRCUIT, DI: QUAD 2-INPUT MUX/LATCH	0000M	156-0632-03
A03U148	156-0880-04				MICROCIRCUIT, DI: DUAL D-TYPE MASTER SLAVE	0000M	156-0880-04

TM 11-6625-3145-14
Replaceable Electrical Parts-318/338 Service

Component No.	Tektronix Part No.	Serial/Model No. Eff Dscont	Name & Description	Mfr Code	Mfr. Part Number
A03U150	156-0880-04		MICROCIRCUIT, DI: DUAL D-TYPE MASTER SLAVE	0000M	156-0880-04
A03U152	156-0229-02		MICROCIRCUIT, DI: DUAL 4-5 INPUT OR/NOR	0000M	156-0229-02
A03U154	156-0458-00		MICROCIRCUIT, DI: QUAD AND GATE, 2-INP	04713	MC10104L
A03U156	156-0205-00		MICROCIRCUIT, DI: QUAD 2-INPUT NOR GATE	04713	MC10102 (P OR L)
A03U158	156-1715-00		MICROCIRCUIT, DI: EVENT/DELAY COUNTER	0000M	156-1715-00
A03W100	131-0566-00		BUS CONDUCTOR: DUMMY RES, 2.375, 22 AWG	57668	JWW-0200E0
A03W100	----		(318 ONLY)		
A03W102	131-0566-00		BUS CONDUCTOR: DUMMY RES, 2.375, 22 AWG	57668	JWW-0200E0
A03W102	----		(318 ONLY)		

TM 11-6625-3145-14
Replaceable Electrical Parts-318/338 Service

Component No.	Tektronix		Serial/Model No.		Name & Description	Mfr Code	Mfr. Part Number
	Part No.	Eff	Dscont				
A04	670-7814-00				CKT BOARD ASSY: ACO MEMORY (318 ONLY)	80009	670-7814-00
A04	670-7823-00				CKT BOARD ASSY: ACO MEMORY (338 ONLY)	80009	670-7823-00
A04C100	281-0811-00				CAP., FXD, CER DI: 10PF, 10%, 100V	96733	R2911
A04C101	281-0775-00				CAP., FXD, CER DI: 0.1UF, 20%, 50V	04222	MA205E104MAA
A04C102	281-0775-00				CAP., FXD, CER DI: 0.1UF, 20%, 50V	04222	MA205E104MAA
A04C104	281-0775-00				CAP., FXD, CER DI: 0.1UF, 20%, 50V	04222	MA205E104MAA
A04C106	281-0775-00				CAP., FXD, CER DI: 0.1UF, 20%, 50V	04222	MA205E104MAA
A04C108	290-0995-00				CAP., FXD, ELCTLT: 47UF, 20%, 16V	0000M	290-0995-00
A04C109	281-0775-00				CAP., FXD, CER DI: 0.1UF, 20%, 50V	04222	MA205E104MAA
A04C110	281-0775-00				CAP., FXD, CER DI: 0.1UF, 20%, 50V	04222	MA205E104MAA
A04C112	281-0775-00				CAP., FXD, CER DI: 0.1UF, 20%, 50V	04222	MA205E104MAA
A04C114	290-0995-00				CAP., FXD, ELCTLT: 47UF, 20%, 16V	0000M	290-0995-00
A04C116	281-0775-00				CAP., FXD, CER DI: 0.1UF, 20%, 50V	04222	MA205E104MAA
A04C118	290-0995-00				CAP., FXD, ELCTLT: 47UF, 20%, 16V	0000M	290-0995-00
A04C120	281-0775-00				CAP., FXD, CER DI: 0.1UF, 20%, 50V	04222	MA205E104MAA
A04C122	281-0775-00				CAP., FXD, CER DI: 0.1UF, 20%, 50V	04222	MA205E104MAA
A04C124	281-0775-00				CAP., FXD, CER DI: 0.1UF, 20%, 50V	04222	MA205E104MAA
A04C126	281-0775-00				CAP., FXD, CER DI: 0.1UF, 20%, 50V	04222	MA205E104MAA
A04C128	290-0995-00				CAP., FXD, ELCTLT: 47UF, 20%, 16V	0000M	290-0995-00
A04C132	281-0775-00				CAP., FXD, CER DI: 0.1UF, 20%, 50V	04222	MA205E104MAA
A04C134	281-0775-00				CAP., FXD, CER DI: 0.1UF, 20%, 50V	04222	MA205E104MAA
A04L100	108-0182-00				COIL, RF: FIXED, 285NH	80009	108-0182-00
A04R100	307-0876-00				RES NTWK, FXD, FI: 8, 100 OHM, 5%, 0.125W	0000M	307-0876-00
A04R102	307-0876-00				RES NTWK, FXD, FI: 8, 100 OHM, 5%, 0.125W	0000M	307-0876-00
A04R104	307-0876-00				RES NTWK, FXD, FI: 8, 100 OHM, 5%, 0.125W	0000M	307-0876-00
A04R106	307-0876-00				RES NTWK, FXD, FI: 8, 100 OHM, 5%, 0.125W	0000M	307-0876-00
A04R108	307-0876-00				RES NTWK, FXD, FI: 8, 100 OHM, 5%, 0.125W	0000M	307-0876-00
A04R108	----				(338 ONLY)		
A04R110	315-0102-00				RES., FXD, CMPSN: 1K OHM, 5%, 0.25W	57668	NTR25JE01K0
A04R112	307-0877-00				RES NTWK, FXD, FI: 8, 510 OHM, 5%, 0.125W	0000M	307-0877-00
A04R113	315-0511-00				RES., FXD, CMPSN: 510 OHM, 5%, 0.25W	01121	CB5115
A04R114	307-0877-00				RES NTWK, FXD, FI: 8, 510 OHM, 5%, 0.125W	0000M	307-0877-00
A04R116	315-0511-00				RES., FXD, CMPSN: 510 OHM, 5%, 0.25W	01121	CB5115
A04R118	307-0877-00				RES NTWK, FXD, FI: 8, 510 OHM, 5%, 0.125W	0000M	307-0877-00
A04R120	315-0512-00				RES., FXD, CMPSN: 5.1K OHM, 5%, 0.25W	57668	NTR25J-E05K1
A04R122	315-0221-00				RES., FXD, CMPSN: 220 OHM, 5%, 0.25W	57668	NTR25J-E220E
A04R124	315-0102-00				RES., FXD, CMPSN: 1K OHM, 5%, 0.25W	57668	NTR25JE01K0
A04R125	315-0510-00				RES., FXD, CMPSN: 51 OHM, 5%, 0.25W	57668	NTR25J-E51E0
A04R126	315-0101-00				RES., FXD, CMPSN: 100 OHM, 5%, 0.25W	57668	NTR25J-E 100E
A04R127	315-0510-00				RES., FXD, CMPSN: 51 OHM, 5%, 0.25W	57668	NTR25J-E51E0
A04R128	315-0101-00				RES., FXD, CMPSN: 100 OHM, 5%, 0.25W	57668	NTR25J-E 100E
A04R129	315-0101-00				RES., FXD, CMPSN: 100 OHM, 5%, 0.25W	57668	NTR25J-E 100E
A04R130	307-0876-00				RES NTWK, FXD, FI: 8, 100 OHM, 5%, 0.125W	0000M	307-0876-00
A04R131	315-0101-00				RES., FXD, CMPSN: 100 OHM, 5%, 0.25W	57668	NTR25J-E 100E
A04R132	315-0510-00				RES., FXD, CMPSN: 51 OHM, 5%, 0.25W	57668	NTR25J-E51E0
A04R133	315-0101-00				RES., FXD, CMPSN: 100 OHM, 5%, 0.25W	57668	NTR25J-E 100E
A04R134	315-0301-00				RES., FXD, CMPSN: 300 OHM, 5%, 0.25W	57668	NTR25J-E300E
A04R136	307-0877-00				RES NTWK, FXD, FI: 8, 510 OHM, 5%, 0.125W	0000M	307-0877-00
A04R138	315-0511-00				RES., FXD, CMPSN: 510 OHM, 5%, 0.25W	01121	CB5115
A04R139	315-0102-00				RES., FXD, CMPSN: 1K OHM, 5%, 0.25W	57668	NTR25JE01K0
A04R140	315-0101-00				RES., FXD, CMPSN: 100 OHM, 5%, 0.25W	57668	NTR25J-E 100E
A04R144	307-0877-00				RES NTWK, FXD, FI: 8, 510 OHM, 5%, 0.125W	0000M	307-0877-00

TM 11-6625-3145-14
Replaceable Electrical Parts-318/338 Service

Component No.	Tektronix	Serial/Model No.		Name & Description	Mfr	
	Part No.	Eff	Dscont		Code	Mfr. Part Number
A04R146	315-0511-00			RES., FXD, CMPSN: 510 OHM, 5%, 0.25W	01121	CB5115
A04TP110	214-0579-00			TERM, TEST POINT: BRS CD PL	80009	214-0579-00
A04TP111	214-0579-00			TERM, TEST POINT: BRS CD PL	80009	214-0579-00
A04TP200	131-2986-00			CONN, RCPT, ELEC: HEADER, RIGHT ANGLE	0000M	131-2986-00
A04U100	156-0368-04	.300101	.300460	MICROCIRCUIT, DI: QUAD TTL TO ECL COMPARATOR	0000M	156-0368-04
A04U100	----			(318 ONLY)		
A04U100	156-0368-00	.300461		MICROCIRCUIT, DI: QUAD TTL TO ECL CONVERTER	04713	MC10124L
A04U100	----			(318 ONLY)		
A04U100	156-0368-04	.300101	.300392	MICROCIRCUIT, DI: QUAD TTL TO ECL COMPARATOR	0000M	156-0368-04
A04U100	----			(338 ONLY)		
A04U100	156-0368-00	.300393		MICROCIRCUIT, DI: QUAD TTL TO ECL CONVERTER	04713	MC10124L
A04U100	----			(338 ONLY)		
A04U102	156-0368-04	.300101	.300460	MICROCIRCUIT, DI: QUAD TTL TO ECL COMPARATOR	0000M	156-0368-04
A04U102	----			(318 ONLY)		
A04U102	156-0368-00	.300461		MICROCIRCUIT, DI: QUAD TTL TO ECL CONVERTER	04713	MC10124L
A04U102	----			(318 ONLY)		
A04U102	156-0368-04	.300101	.300392	MICROCIRCUIT, DI: QUAD TTL TO ECL COMPARATOR	0000M	156-0368-04
A04U102	----			(338 ONLY)		
A04U102	156-0368-00	.300393		MICROCIRCUIT, DI: QUAD TTL TO ECL CONVERTER	04713	MC10124L
A04U102	----			(338 ONLY)		
A04U104	156-0368-04	.300101	.300460	MICROCIRCUIT, DI: QUAD TTL TO ECL COMPARATOR	0000M	156-0368-04
A04U104	----			(318 ONLY)		
A04U104	156-0368-00	.300461		MICROCIRCUIT, DI: QUAD TTL TO ECL CONVERTER	04713	MC10124L
A04U104	----			(318 ONLY)		
A04U104	156-0368-04	.300101	.300392	MICROCIRCUIT, DI: QUAD TTL TO ECL COMPARATOR	0000M	156-0368-04
A04U104	----			(338 ONLY)		
A04U104	156-0368-00	.300393		MICROCIRCUIT, DI: QUAD TTL TO ECL CONVERTER	04713	MC10124L
A04U104	----			(338 ONLY)		
A04U106	156-0368-04	.300101	.300460	MICROCIRCUIT, DI: QUAD TTL TO ECL COMPARATOR	0000M	156-0368-04
A04U106	----			(318 ONLY)		
A04U106	156-0368-00	.300461		MICROCIRCUIT, DI: QUAD TTL TO ECL CONVERTER	04713	MC10124L
A04U106	----			(318 ONLY)		
A04U106	156-0368-04	.300101	.300392	MICROCIRCUIT, DI: QUAD TTL TO ECL COMPARATOR	0000M	156-0368-04
A04U106	----			(338 ONLY)		
A04U106	156-0368-00	.300393		MICROCIRCUIT, DI: QUAD TTL TO ECL CONVERTER	04713	MC10124L
A04U106	----			(338 ONLY)		
A04U108	156-0368-04	.300101	.300460	MICROCIRCUIT, DI: QUAD TTL TO ECL COMPARATOR	0000M	156-0368-04
A04U108	----			(318 ONLY)		
A04U108	156-0368-00	.300461		MICROCIRCUIT, DI: QUAD TTL TO ECL CONVERTER	04713	MC10124L
A04U108	----			(318 ONLY)		
A04U108	156-0368-04	.300101	.300392	MICROCIRCUIT, DI: QUAD TTL TO ECL COMPARATOR	0000M	156-0368-04
A04U108	----			(338 ONLY)		
A04U108	156-0368-00	.300393		MICROCIRCUIT, DI: QUAD TTL TO ECL CONVERTER	04713	MC10124L
A04U108	----			(338 ONLY)		
A04U110	156-0920-00			MICROCIRCUIT, DI: BIN TO 1-8 DECODER	80009	156-0920-00
A04U112	156-0226-03			MICROCIRCUIT, DI: QUAD 2-INPUT	0000M	156-0226-03
A04U114	156-0633-00			MICROCIRCUIT, DI: HEX D MASTER SLAVE F-F	80009	156-0633-00
A04U116	156-1773-00	.300101	.300720	MICROCIRCUIT, DI: 256 WORD X 4 BIT RAM	0000M	156-1773-00
A04U116	----			(318 ONLY)		
A04U116	156-1635-00	.300721		MICROCIRCUIT, DI: 256 X 4 SRAM, 24 PIN DIP, CER	27014	DM10422A
A04U116	----			(318 ONLY)		
A04U116	156-1775-00	.300101	.300745	MICROCIRCUIT, DI: 256 WORD X 4 BIT RAM	0000M	156-1775-00
A04U116	----			(338 ONLY)		
A04U116	156-1635-00	.300746		MICROCIRCUIT, DI: 256 X 4 SRAM, 24 PIN DIP, CER	27014	DM10422A
A04U116	----			(338 ONLY)		

TM 11-6625-3145-14
Replaceable Electrical Parts-318/338 Service

Component No.	Tektronix	Serial/Model No.		Name & Description	Mfr	Mfr. Part Number
	Part No.	Eff	Dscont		Code	
A04U118	156-1773-00	.300101	.300720	MICROCIRCUIT, DI: 256 WORD X 4 BIT RAM	0000M	156-1773-00
A04U118	----			(318 ONLY)		
A04U118	156-1635-00	.300721		MICROCIRCUIT, DI: 256 X 4 SRAM, 24 PIN DIP, CER	27014	DM10422A
A04U118	----			(318 ONLY)		
A04U118	156-1775-00	.300101	.300745	MICROCIRCUIT, DI: 256 WORD X 4 BIT RAM	0000M	156-1775-00
A04U118	----			(338 ONLY)		
A04U118	156-1635-00	.300746		MICROCIRCUIT, DI: 256 X 4 SRAM, 24 PIN DIP, CER	27014	DM10422A
A04U118	----			(338 ONLY)		
A04U120	156-1773-00	.300101	.300720	MICROCIRCUIT, DI: 256 WORD X 4 BIT RAM	0000M	156-1773-00
A04U120	----			(318 ONLY)		
A04U120	156-1635-00	.300721		MICROCIRCUIT, DI: 256 X 4 SRAM, 24 PIN DIP, CER	27014	DM10422A
A04U120	----			(318 ONLY)		
A04U120	156-1775-00	.300101	.300745	MICROCIRCUIT, DI: 256 WORD X 4 BIT RAM	0000M	156-1775-00
A04U120	----			(338 ONLY)		
A04U120	156-1635-00	.300746		MICROCIRCUIT, DI: 256 X 4 SRAM, 24 PIN DIP, CER	27014	DM10422A
A04U120	----			(338 ONLY)		
A04U122	156-1773-00	.300101	.300720	MICROCIRCUIT, DI: 256 WORD X 4 BIT RAM	0000M	156-1773-00
A04U122	----			(318 ONLY)		
A04U122	156-1635-00	.300721		MICROCIRCUIT, DI: 256 X 4 SRAM, 24 PIN DIP, CER	27014	DM10422A
A04U122	----			(318 ONLY)		
A04U122	156-1775-00	.300101	.300745	MICROCIRCUIT, DI: 256 WORD X 4 BIT RAM	0000M	156-1775-00
A04U122	----			(338 ONLY)		
A04U122	156-1635-00	.300746		MICROCIRCUIT, DI: 256 X 4 SRAM, 24 PIN DIP, CER	27014	DM10422A
A04U122	----			(338 ONLY)		
A04U124	156-1773-00	.300101	.300720	MICROCIRCUIT, DI: 256 WORD X 4 BIT RAM	0000M	156-1773-00
A04U124	----			(318 ONLY)		
A04U124	156-1635-00	.300721		MICROCIRCUIT, DI: 256 X 4 SRAM, 24 PIN DIP, CER	27014	DM10422A
A04U124	----			(318 ONLY)		
A04U124	156-1775-00	.300101	.300745	MICROCIRCUIT, DI: 256 WORD X 4 BIT RAM	0000M	156-1775-00
A04U124	----			(338 ONLY)		
A04U124	156-1635-00	.300746		MICROCIRCUIT, DI: 256 X 4 SRAM, 24 PIN DIP, CER	27014	DM10422A
A04U124	----			(338 ONLY)		
A04U126	156-1773-00	.300101	.300720	MICROCIRCUIT, DI: 256 WORD X 4 BIT RAM	0000M	156-1773-00
A04U126	----			(318 ONLY)		
A04U126	156-1635-00	.300721		MICROCIRCUIT, DI: 256 X 4 SRAM, 24 PIN DIP, CER	27014	DM10422A
A04U126	----			(318 ONLY)		
A04U126	156-1775-00	.300101	.300745	MICROCIRCUIT, DI: 256 WORD X 4 BIT RAM	0000M	156-1775-00
A04U126	----			(338 ONLY)		
A04U126	156-1635-00	.300746		MICROCIRCUIT, DI: 256 X 4 SRAM, 24 PIN DIP, CER	27014	DM10422A
A04U126	----			(338 ONLY)		
A04U128	156-1773-00	.300101	.300720	MICROCIRCUIT, DI: 256 WORD X 4 BIT RAM	0000M	156-1773-00
A04U128	----			(318 ONLY)		
A04U128	156-1635-00	.300721		MICROCIRCUIT, DI: 256 X 4 SRAM, 24 PIN DIP, CER	27014	DM10422A
A04U128	----			(318 ONLY)		
A04U128	156-1775-00	.300101	.300745	MICROCIRCUIT, DI: 256 WORD X 4 BIT RAM	0000M	156-1775-00
A04U128	----			(338 ONLY)		
A04U128	156-1635-00	.300746		MICROCIRCUIT, DI: 256 X 4 SRAM, 24 PIN DIP, CER	27014	DM10422A
A04U128	----			(338 ONLY)		
A04U130	156-1773-00	.300101	.300720	MICROCIRCUIT, DI: 256 WORD X 4 BIT RAM	0000M	156-1773-00
A04U130	----			(318 ONLY)		
A04U130	156-1635-00	.300721		MICROCIRCUIT, DI: 256 X 4 SRAM, 24 PIN DIP, CER	27014	DM10422A
A04U130	----			(318 ONLY)		
A04U130	156-1775-00	.300101	.300745	MICROCIRCUIT, DI: 256 WORD X 4 BIT RAM	0000M	156-1775-00
A04U130	----			(338 ONLY)		

TM 11-6625-3145-14
Replaceable Electrical Parts-318/338 Service

Component No.	Tektronix	Serial/Model No.		Name & Description	Mfr	Mfr. Part Number
	Part No.	Eff	Dscont		Code	
A04U130	156-1635-00	.300746		MICROCIRCUIT, DI: 256 X 4 SRAM, 24 PIN DIP, CER	27014	DM10422A
A04U130	----			(338 ONLY)		
A04U132	156-1775-00	.300101	.300720	MICROCIRCUIT, DI: 256 WORD X 4 BIT RAM	0000M	156-1775-00
A04U132	----			(338 ONLY)		
A04U132	156-1635-00	.300721		MICROCIRCUIT, DI: 256 X 4 SRAM, 24 PIN DIP, CER	27014	DM10422A
A04U132	----			(338 ONLY)		
A04U134	156-1775-00	.300101	.300745	MICROCIRCUIT, DI: 256 WORD X 4 BIT RAM	0000M	156-1775-00
A04U134	----			(338 ONLY)		
A04U134	156-1635-00	.300746		MICROCIRCUIT, DI: 256 X 4 SRAM, 24 PIN DIP, CER	27014	DM10422A
A04U134	----			(338 ONLY)		
A04U136	156-1038-00			MICROCIRCUIT, DI: 4 BIT BINARY COUNTER	80009	156-1038-00
A04U138	156-1038-00			MICROCIRCUIT, DI: 4 BIT BINARY COUNTER	80009	156-1038-00
A04U139	156-0230-00			MICROCIRCUIT, DI: DUAL D MA-SLAVE FLIP-FLOP	04713	MC10131 (L OR P)
A04U140	156-1716-00			MICROCIRCUIT, DI: TIME BASE	0000M	156-1716-00
A04U142	156-0746-02			MICROCIRCUIT, DI: QUAD 2-INPUT NON-INV MUX	0000M	156-0746-02
A04U144	156-0746-02			MICROCIRCUIT, DI: QUAD 2-INPUT NON-INV MUX	0000M	156-0746-02
A04U146	156-0316-00			MICROCIRCUIT, DI: QUAD ECL TO TTL CONVERTER	04713	MC10125L
A04U148	156-0316-00			MICROCIRCUIT, DI: QUAD ECL TO TTL CONVERTER	04713	MC10125L
A04U150	156-0316-00			MICROCIRCUIT, DI: QUAD ECL TO TTL CONVERTER	04713	MC10125L
A04U152	156-0956-00	.300101	.300280	MICROCIRCUIT, DI: OCTAL BFR W/3 STATE OUT	01295	SN74LS244NP3
A04U152	----			(318 ONLY)		
A04U152	156-0956-02	.300281		MICROCIRCUIT, DI: OCTAL BFR W/3 STATE OUT	01295	SN74LS244NP3
A04U152	----			(318 ONLY)		
A04U152	156-0956-00	.300101	.300150	MICROCIRCUIT, DI: OCTAL BFR W/3 STATE OUT	01295	SN74LS244NP3
A04U152	----			(338 ONLY)		
A04U152	156-0956-02	.300151		MICROCIRCUIT, DI: OCTAL BFR W/3 STATE OUT	01295	SN74LS244NP3
A04U152	----			(338 ONLY)		
A04U156	156-1126-02			MICROCIRCUIT, LI: COMPARATOR SINGLE W/STROBE	0000M	156-1126-02
A04W118	131-0566-00			BUS CONDUCTOR: DUMMY RES, 2.375, 22 AWG	57668	JWW-0200E0
A04W118	----			(338 ONLY)		
A04Y100	158-0106-01			XTAL UNIT, QTZ: 100MHZ, 0.0015%, SERIES	0000M	158-0106-01

TM 11-6625-3145-14
Replaceable Electrical Parts-318/338 Service

Component No.	Tektronix Serial/Model No.		Name & Description	Mfr	
	Part No.	Eff Dscont		Code	Mfr. Part Number
A05	670-7813-00		CKT BOARD ASSY: ROM/THRESHOLD	80009	670-7813-00
A05	----		(318/338 ONLY)		
A05C070	281-0814-00		CAP., FXD, CER DI: 100PF, 10%, 100V	04222	GC101A101K
A05C072	281-0812-00		CAP., FXD, CER DI: 1000PF, 10%, 100V	04222	MA101C102KAA
A05C080	281-0814-00		CAP., FXD, CER DI: 100PF, 10%, 100V	04222	GC101A101K
A05C082	281-0812-00		CAP., FXD, CER DI: 1000PF, 10%, 100V	04222	MA101C102KAA
A05C300	290-0995-00		CAP., FXD, ELCTLT: 47UF, 20%, 16V	0000M	290-0995-00
A05C301	290-0995-00		CAP., FXD, ELCTLT: 47UF, 20%, 16V	0000M	290-0995-00
A05C350	281-0775-00		CAP., FXD, CER DI: 0.1UF, 20%, 50V	04222	MA205E104MAA
A05C400	290-0995-00		CAP., FXD, ELCTLT: 47UF, 20%, 16V	0000M	290-0995-00
A05C401	281-0775-00		CAP., FXD, CER DI: 0.1UF, 20%, 50V	04222	MA205E104MAA
A05C402	281-0775-00		CAP., FXD, CER DI: 0.1UF, 20%, 50V	04222	MA205E104MAA
A05C403	281-0775-00		CAP., FXD, CER DI: 0.1UF, 20%, 50V	04222	MA205E104MAA
A05C404	281-0775-00		CAP., FXD, CER DI: 0.1UF, 20%, 50V	04222	MA205E104MAA
A05C405	281-0775-00		CAP., FXD, CER DI: 0.1UF, 20%, 50V	04222	MA205E104MAA
A05C406	281-0775-00		CAP., FXD, CER DI: 0.1UF, 20%, 50V	04222	MA205E104MAA
A05C407	281-0775-00		CAP., FXD, CER DI: 0.1UF, 20%, 50V	04222	MA205E104MAA
A05C408	281-0775-00		CAP., FXD, CER DI: 0.1UF, 20%, 50V	04222	MA205E104MAA
A05C409	281-0775-00		CAP., FXD, CER DI: 0.1UF, 20%, 50V	04222	MA205E104MAA
A05C410	281-0775-00		CAP., FXD, CER DI: 0.1UF, 20%, 50V	04222	MA205E104MAA
A05CR070	152-0322-00		SEMICONV DEVICE: SILICON, 15V, HOT CARRIER	50434	5082-2672
A05CR072	152-0322-00		SEMICONV DEVICE: SILICON, 15V, HOT CARRIER	50434	5082-2672
A05CR080	152-0322-00		SEMICONV DEVICE: SILICON, 15V, HOT CARRIER	50434	5082-2672
A05CR082	152-0322-00		SEMICONV DEVICE: SILICON, 15V, HOT CARRIER	50434	5082-2672
A05GND002	214-0579-00		TERM, TEST POINT: BRS CD PL	80009	214-0579-00
A05R026	315-0472-00		RES., FXD, CMPSN: 4.7K OHM, 5%, 0.25W	57668	NTR25J-E04K7
A05R040	307-0750-00		RES, NTWK, FXD, FI: (8)4.7K OHM, 100%, 0.125W	T0191	307-0750-00
A05R060	321-0177-00		RES., FXD, FILM: 681 OHM, 1%, 0.125W	01121	ORD BY DESCOR
A05R062	321-0285-00		RES., FXD, FILM: 9.09K OHM, 1%, 0.125W	91637	MFF1816G90900F
A05R064	311-1741-00		RES., VAR, NONWIR: TRMR, 2K OHM, 20%, 0.5W	0000M	311-1741-00
A05R066	321-0287-00		RES., FXD, FILM: 9.53K OHM, 1%, 0.125W	91637	MFF1816G95300F
A05R068	321-1332-00		RES., FXD, FILM: 28.4K OHM, 1%, 0.125W		
A05R069	321-0245-00		RES., FXD, FILM: 3.48K OHM, 1%, 0.125W	91637	MFF1816G34800F
A05R070	321-0260-01		RES., FXD, FILM: 4.99K OHM, 0.5%, 0.125W	91637	MFF1816G49900D
A05R072	321-0260-01		RES., FXD, FILM: 4.99K OHM, 0.5%, 0.125W	91637	MFF1816G49900D
A05R074	315-0754-00		RES., FXD, CMPSN: 750K OHM, 5%, 0.25W	01121	CB7545
A05R076	315-0103-00		RES., FXD, CMPSN: 10K OHM, 5%, 0.25W	57668	NTR25J-E100K0
A05R078	311-1745-00		RES., VAR, NONWIR: TRMR, 100K OHM, 10%, 0.5W	0000M	311-1745-00
A05R080	321-0260-01		RES., FXD, FILM: 4.99K OHM, 0.5%, 0.125W	91637	MFF1816G49900D
A05R082	321-0260-01		RES., FXD, FILM: 4.99K OHM, 0.5%, 0.125W	91637	MFF1816G49900D
A05R084	315-0754-00		RES., FXD, CMPSN: 750K OHM, 5%, 0.25W	01121	CB7545
A05R086	315-0103-00		RES., FXD, CMPSN: 10K OHM, 5%, 0.25W	57668	NTR25J-E100K0
A05R088	311-1745-00		RES., VAR, NONWIR: TRMR, 100K OHM, 10%, 0.5W	0000M	311-1745-00
A05R100	307-0750-00		RES, NTWK, FXD, FI: (8)4.7K OHM, 100%, 0.125W	T0191	307-0750-00
A05R110	321-0260-01		RES., FXD, FILM: 4.99K OHM, 0.5%, 0.125W	91637	MFF1816G49900D
A05R115	321-0260-01		RES., FXD, FILM: 4.99K OHM, 0.5%, 0.125W	91637	MFF1816G49900D
A05R118	307-0880-00		RES NTWK, FXD, FI: 5, 100K OHM, 10%, 0.25W	0000M	307-0880-00
A05R120	315-0511-00		RES., FXD, CMPSN: 510 OHM, 5%, 0.25W	01121	CB5115
A05R122	315-0511-00		RES., FXD, CMPSN: 510 OHM, 5%, 0.25W	01121	CB5115
A05R125	315-0511-00		RES., FXD, CMPSN: 510 OHM, 5%, 0.25W	01121	CB5115
A05R127	315-0511-00		RES., FXD, CMPSN: 510 OHM, 5%, 0.25W	01121	CB5115
A05R130	315-0511-00		RES., FXD, CMPSN: 510 OHM, 5%, 0.25W	01121	CB5115
A05TP064	214-0579-00		TERM, TEST POINT: BRS CD PL	80009	214-0579-00
A05TP078	214-0579-00		TERM, TEST POINT: BRS CD PL	80009	214-0579-00

TM 11-6625-3145-14
Replaceable Electrical Parts-318/338 Service

Component No.	Tektronix		Serial/Model No.		Name & Description	Mfr	
	Part No.	Eff	Dscont	Code		Mfr. Part Number	
A05TP088	214-0579-00				TERM, TEST POINT: BRS CD PL	80009	214-0579-00
A05U001	156-0541-00	.300101	.300280		MICROCIRCUIT, DI: DUAL 2 TO 4 LINE DCDR	01295	SN74LS139NP3
A05U001	----				(318 ONLY)		
A05U001	156-0541-02	.300281			MICROCIRCUIT, DI: DUAL 2 TO 4 LINE DCDR	01295	SN74LS139NP3
A05U001	----				(318 ONLY)		
A05U001	156-0541-00	.300101	.300150		MICROCIRCUIT, DI: DUAL 2 TO 4 LINE DCDR	01295	SN74LS139NP3
A05U001	----				(338 ONLY)		
A05U001	156-0541-02	.300151			MICROCIRCUIT, DI: DUAL 2 TO 4 LINE DCDR	01295	SN74LS139NP3
A05U001	----				(338 ONLY)		
A05U005	156-0541-00	.300101	.300280		MICROCIRCUIT, DI: DUAL 2 TO 4 LINE DCDR	01295	SN74LS139NP3
A05U005	----				(318 ONLY)		
A05U005	156-0541-02	.300281			MICROCIRCUIT, DI: DUAL 2 TO 4 LINE DCDR	01295	SN74LS139NP3
A05U005	----				(318 ONLY)		
A05U005	156-0541-00	.300101	.300150		MICROCIRCUIT, DI: DUAL 2 TO 4 LINE DCDR	01295	SN74LS139NP3
A05U005	----				(338 ONLY)		
A05U005	156-0541-02	.300151			MICROCIRCUIT, DI: DUAL 2 TO 4 LINE DCDR	01295	SN74LS139NP3
A05U005	----				(338 ONLY)		
A05U020	160-1891-00				MICROCIRCUIT, DI: 16K BYTE MASK ROM, PRGM	0000M	160-1891-00
A05U021	160-1892-00				MICROCIRCUIT, DI: 16K BYTE MASK ROM, PRGM	0000M	160-1892-00
A05U022	160-1893-00				MICROCIRCUIT, DI: 16K BYTE MASK ROM, PRGM	0000M	160-1893-00
A05U023	160-1894-00				MICROCIRCUIT, DI: 16K BYTE MASK ROM, PRGM	0000M	160-1894-00
A05U024	160-1895-00				MICROCIRCUIT, DI: 16K BYTE MASK ROM, PRGM	0000M	160-1895-00
A05U025	160-1896-00				MICROCIRCUIT, DI: 16K BYTE MASK ROM, PRGM	0000M	160-1896-00
A05U026	160-1897-01				MICROCIRCUIT, DI: 8K BYTE EPROM, PRGM	0000M	160-1897-01
A05U045	156-1111-00	.300101	.300280		MICROCIRCUIT, DI: OCTAL BUS TRANSCEIVERS	01295	SN74LS245N3
A05U045	----				(318 ONLY)		
A05U045	156-1111-02	.300281			MICROCIRCUIT, DI: OCTAL BUS TRANSCEIVERS	01295	SN74LS245 N30RJ4
A05U045	----				(318 ONLY)		
A05U045	156-1111-00	.300101	.300150		MICROCIRCUIT, DI: OCTAL BUS TRANSCEIVERS	01295	SN74LS245N3
A05U045	----				(338 ONLY)		
A05U045	156-1111-02	.300151			MICROCIRCUIT, DI: OCTAL BUS TRANSCEIVERS	01295	SN74LS245 N30RJ4
A05U045	----				(338 ONLY)		
A05U050	156-0382-00	.300101	.300280		MICROCIRCUIT, DI: QUAD 2 INP NAND GATE	01295	SN74LS00NP3
A05U050	----				(318 ONLY)		
A05U050	156-0382-02	.300281			MICROCIRCUIT, DI: QUAD 2-INP NAND GATE	01295	SN74LS00
A05U050	----				(318 ONLY)		
A05U050	156-0382-00	.300101	.300150		MICROCIRCUIT, DI: QUAD 2 INP NAND GATE	01295	SN74LS00NP3
A05U050	----				(338 ONLY)		
A05U050	156-0382-02	.300151			MICROCIRCUIT, DI: QUAD 2-INP NAND GATE	01295	SN74LS00
A05U050	----				(338 ONLY)		
A05U070	156-1367-01				MICROCIRCUIT, LI: 8 BIT BUFFERED MULTIPLYING	0000M	156-1367-01
A05U075	156-1771-00				MICROCIRCUIT, LI: DUAL OP-AMP	0000M	156-1771-00
A05U080	156-1367-01				MICROCIRCUIT, LI: 8 BIT BUFFERED MULTIPLYING	0000M	156-1367-01
A05U085	156-1771-00				MICROCIRCUIT, LI: DUAL OP-AMP	0000M	156-1771-00
A05U090	156-0538-00	.300101	.300280		MICROCIRCUIT, DI: LSTTL, DUAL 4-INP NAND GATE	01295	SN74LS22NP3
A05U090	----				(318 ONLY)		
A05U090	156-0538-02	.300281	.300305		MICROCIRCUIT, DI: DUAL 4-INP NAND GATE	27014	DM74LS22
A05U090	----				(318 ONLY)		
A05U090	156-0464-02	.300306			MICROCIRCUIT, DI: DUAL 4 INP NAND GATE	01295	SN74LS20
A05U090	----				(318 ONLY)		
A05U090	156-0538-00	.300101	.300150		MICROCIRCUIT, DI: LSTTL, DUAL 4-INP NAND GATE	01295	SN74LS22NP3
A05U090	----				(338 ONLY)		
A05U090	156-0538-02	.300151	.300460		MICROCIRCUIT, DI: DUAL 4-INP NAND GATE	27014	DM74LS22
A05U090	----				(338 ONLY)		

TM 11-6625-3145-14
Replaceable Electrical Parts-318/338 Service

Component No.	Tektronix	Serial/Model No.		Name & Description	Mfr	
	Part No.	Eff	Dscont		Code	Mfr. Part Number
A05U090	156-0464-02	.300461		MICROCIRCUIT, DI: DUAL 4 INP NAND GATE	01295	SN74LS20
A05U090	----			(338 ONLY)		
A05U092	156-0541-00	.300101	.300280	MICROCIRCUIT, DI: DUAL 2 TO 4 LINE DCDR	01295	SN74LS139NP3
A05U092	----			(318 ONLY)		
A05U092	156-0541-02	.300281		MICROCIRCUIT, DI: DUAL 2 TO 4 LINE DCDR	01295	SN74LS139NP3
A05U092	----			(318 ONLY)		
A05U092	156-0541-00	.300101	.300150	MICROCIRCUIT, DI: DUAL 2 TO 4 LINE DCDR	01295	SN74LS139NP3
A05U092	----			(338 ONLY)		
A05U092	156-0541-02	.300151		MICROCIRCUIT, DI: DUAL 2 TO 4 LINE DCDR	01295	SN74LS139NP3
A05U092	----			(338 ONLY)		
A05U100	156-0391-00	.300101	.300280	MICROCIRCUIT, DI: HEX LATCH W/CLEAR SCRN	01295	SN74LS174
A05U100	----			(318 ONLY)		
A05U100	156-0391-02	.300281		MICROCIRCUIT, DI: HEX LATCH W/CLEAR	01295	SN74LS174
A05U100	----			(318 ONLY)		
A05U100	156-0391-00	.300101	.300150	MICROCIRCUIT, DI: HEX LATCH W/CLEAR SCRN	01295	SN74LS174
A05U100	----			(338 ONLY)		
A05U100	156-0391-02	.300151		MICROCIRCUIT, DI: HEX LATCH W/CLEAR	01295	SN74LS174
A05U100	----			(338 ONLY)		
A05U105	156-1770-00			MICROCIRCUIT, DI: OCTAL D-TYPE W/CLEAR	0000M	156-1770-00
A05U110	156-0514-03			MICROCIRCUIT, DI: DIFF 4-CHANNEL MUX	0000M	156-0514-03
A05U111	156-0514-03			MICROCIRCUIT, DI: DIFF 4-CHANNEL MUX	0000M	156-0514-03
A05U112	156-0514-03			MICROCIRCUIT, DI: DIFF 4-CHANNEL MUX	0000M	156-0514-03
A05U113	156-0514-03			MICROCIRCUIT, DI: DIFF 4-CHANNEL MUX	0000M	156-0514-03
A05U114	156-0514-03			MICROCIRCUIT, DI: DIFF 4-CHANNEL MUX	0000M	156-0514-03
A05U120	156-1771-00			MICROCIRCUIT, LI: DUAL OP-AMP	0000M	156-1771-00
A05U125	156-1771-00			MICROCIRCUIT, LI: DUAL OP-AMP	0000M	156-1771-00
A05U130	156-1771-00			MICROCIRCUIT, LI: DUAL OP-AMP	0000M	156-1771-00
A05U150	156-0383-00	.300101	.300280	MICROCIRCUIT DI: QUAD 2-IMP NOR GATE, SCRN	01295	SN74LS02
A05U150	----			(318 ONLY)		
A05U150	156-0383-02	.300281		MICROCIRCUIT, DI: QUAD 2-INP NOR GATE	01295	SN74LS02
A05U150	----			(318 ONLY)		
A05U150	156-0383-00	.300101	.300150	MICROCIRCUIT DI: QUAD 2-IMP NOR GATE, SCRN	01295	SN74LS02
A05U150	----			(338 ONLY)		
A05U150	156-0383-02	.300151		MICROCIRCUIT, DI: QUAD 2-INP NOR GATE	01295	SN74LS02
A05U 150	----			(338 ONLY)		
A05VR060	152-0461-00			SEMICONV DEVICE: ZENER, 0.4W, 6.2V, 5%	04713	SZG25002K2

TM 11-6625-3145-14
Replaceable Electrical Parts-318/338 Service

Component No.	Tektronix Serial/Model No.		Name & Description	Mfr	
	Part No.	Eff Dscont		Code	Mfr. Part Number
A06	670-7812-00		CKT BOARD ASSY: MPU DISPLAY	80009	670-7812-00
A06	----		(318/338 ONLY)		
A06C100	281-0811-00		CAP., FXD, CER DI: 10PF, 10%, 100V	96733	R2911
A06C106	281-0797-00		CAP., FXD, CER DI: 15PF, 10%, 100V	04222	MA 106A 150KAA
A06C110	281-0811-00		CAP., FXD, CER DI: 10PF, 10%, 100V	96733	R2911
A06C116	281-0797-00		CAP., FXD, CER DI: 15PF, 10%, 100V	04222	MA 106A 150KAA
A06C132	281-0775-00		CAP., FXD, CER DI: 0.1UF, 20%, 50V	04222	MA205E104MAA
A06C202	----		CAP., FXD, CER DI: 10UF, 20%, 50V		
A06C202	----		(P/N NOT AVAILABLE AT THIS PRINTING)		
A06C220	281-0775-00		CAP., FXD, CER DI: 0.1UF, 20%, 50V	04222	MA205E104MAA
A06C320	281-0775-00		CAP., FXD, CER DI: 0.1UF, 20%, 50V	04222	MA205E104MAA
A06C600	290-0995-00		CAP., FXD, ELCTLT: 47UF, 20%, 16V	0000M	290-0995-00
A06C601	281-0775-00		CAP., FXD, CER DI: 0.1UF, 20%, 50V	04222	MA205E104MAA
A06C602	281-0775-00		CAP., FXD, CER DI: 0.1UF, 20%, 50V	04222	MA205E104MAA
A06C603	281-0775-00		CAP., FXD, CER DI: 0.1UF, 20%, 50V	04222	MA205E104MAA
A06C604	281-0775-00		CAP., FXD, CER DI: 0.1UF, 20%, 50V	04222	MA205E104MAA
A06C605	281-0775-00		CAP., FXD, CER DI: 0.1UF, 20%, 50V	04222	MA205E104MAA
A06C606	281-0775-00		CAP., FXD, CER DI: 0.1UF, 20%, 50V	04222	MA205E104MAA
A06C607	281-0775-00		CAP., FXD, CER DI: 0.1UF, 20%, 50V	04222	MA205E104MAA
A06C608	281-0775-00		CAP., FXD, CER DI: 0.1UF, 20%, 50V	04222	MA205E104MAA
A06C609	281-0775-00		CAP., FXD, CER DI: 0.1UF, 20%, 50V	04222	MA205E104MAA
A06C610	281-0775-00		CAP., FXD, CER DI: 0.1UF, 20%, 50V	04222	MA205E104MAA
A06C700	290-0995-00		CAP., FXD, ELCTLT: 47UF, 20%, 16V	0000M	290-0995-00
A06C701	281-0775-00		CAP., FXD, CER DI: 0.1UF, 20%, 50V	04222	MA205E104MAA
A06CR200	152-0327-00		SEMICONV DEVICE: SIG, SI, BAX13	T0191	152-0327-00
406DS700	150-1081-00		LT EMITTING DIO: RED	0000M	150-1081-00
A06GND001	214-0579-00		TERM, TEST POINT: BRS CD PL	80009	214-0579-00
A06GND002	214-0579-00		TERM, TEST POINT: BRS CD PL	80009	214-0579-00
A060550	151-0190-00		TRANSISTOR: NPN, SI, TO-92	04713	SPS7969
A06R100	315-0181-00		RES., FXD, CMPSN: 180 OHM, 5%, 0.25W	57668	NTR25J-E180E
A06R101	315-0271-00		RES., FXD, CMPSN: 270 OHM, 5%, 0.25W	01121	CB2715
A06R102	315-0242-00		RES., FXD, CMPSN: 2.4K OHM, 5%, 0.25W	57668	NTR25J-E02K4
A06R 103	315-0331-00		RES., FXD, CMPSN: 330 OHM, 5%, 0.25W	57668	NTR25J-E330E
A06R110	315-0181-00		RES., FXD, CMPSN: 180 OHM, 5%, 0.25W	57668	NTR25J-E180E
A06R111	315-0271-00		RES., FXD, CMPSN: 270 OHM, 5%, 0.25W	01121	CB2715
A06R112	315-0242-00		RES., FXD, CMPSN: 2.4K OHM, 5%, 0.25W	57668	NTR25J-E02K4
A06R113	315-0331-00		RES., FXD, CMPSN: 330 OHM, 5%, 0.25W	57668	NTR25J-E330E
A06R120	315-0471-00		RES., FXD, CMPSN: 470 OHM, 5%, 0.25W	57668	NTR25J-E470E
A06R130	315-0154-00		RES., FXD, CMPSN: 150K OHM, 5%, 0.25W	57668	NTR25J-E150K
A06R132	315-0334-00		RES., FXD, CMPSN: 330K OHM, 5%, 0.25W	01121	CB3345
A06R200	315-0473-00		RES., FXD, CMPSN: 47K OHM, 5%, 0.25W	57668	NTR25J-E47K0
A06R203	315-0102-00		RES., FXD, CMPSN: 1K OHM, 5%, 0.25W	57668	NTR25J-E01 K0
A06R215	315-0472-00		RES., FXD, CMPSN: 4.7K OHM, 5%, 0.25W	57668	NTR25J-E04K7
A06R216	315-0473-00		RES., FXD, CMPSN: 47K OHM, 5%, 0.25W	57668	NTR25J-E47K0
A06R220	315-0104-00		RES., FXD, CMPSN: 100K OHM, 5%, 0.25W	57668	NTR25J-E100K
A06R221	315-0472-00		RES., FXD, CMPSN: 4.7K OHM, 5%, 0.25W	57668	NTR25J-E04K7
A06R222	307-0883-00		RES NTWK, FXD, FI: 4, 1K OHM, 10%, 0.25W	0000M	307-0883-00
A06R224	307-0881-00		RES NTWK, FXD, FI: 8, 10K OHM, 10%, 0.125W	0000M	307-0881-00
A06R226	307-0883-00		RES NTWK, FXD, FI: 4, 1K OHM, 10%, 0.25W	0000M	307-0883-00
A06R300	307-0729-00		RES NTWK, FXD, FI: (4)10K OHM, 10%, 0.125W	T0191	307-0729-00
A06R302	307-0729-00		RES NTWK, FXD, FI: (4)10K OHM, 10%, 0.125W	T0191	307-0729-00
A06R306	307-0882-00		RES NTWK, FXD, FI: 8, 100K OHM, 10%, 0.125W	0000M	307-0882-00
A06R310	307-0729-00		RES NTWK, FXD, FI: (4)10K OHM, 10%, 0.125W	T0191	307-0729-00
A06R312	307-0729-00		RES NTWK, FXD, FI: (4)10K OHM, 10%, 0.125W	T0191	307-0729-00

TM 11-6625-3145-14
Replaceable Electrical Parts-318/338 Service

Component No.	Tektronix		Serial/Model No.		Name & Description	Mfr Code	Mfr. Part Number
	Part No.	Eff	Dscont				
A06R316	307-0882-00				RES NTWK, FXD, FI: 8, 100K OHM, 10%, 0.125W	0000M	307-0882-00
A06R320	315-0104-00				RES., FXD, CMPSN: 100K OHM, 5%, 0.25W	57668	NTR25J-E100K
A06R322	315-0472-00				RES., FXD, CMPSN: 4.7K OHM, 5%, 0.25W	57668	NTR25J-E04K7
A06R540	321-0147-00				RES., FXD, FILM: 332 OHM, 1%, 0.125W	91637	MFF1816G332R0F
A06R542	321-0105-00				RES., FXD, FILM: 121 OHM, 1%, 0.125W	01121	ORD BY DESCR
A06R544	321-0143-00				RES., FXD, FILM: 301 OHM, 1%, 0.125W	91637	MFF1816G301R0F
A06R545	321-0230-00				RES., FXD, FILM: 2.43K OHM, 1%, 0.125W	91637	MFF1816G24300F
A06R546	321-0260-01				RES., FXD, FILM: 4.99K OHM, 0.5%, 0.125W	91637	MFF1816G49900D
A06R548	321-0260-01				RES., FXD, FILM: 4.99K OHM, 0.5%, 0.125W	91637	MFF1816G49900D
A06R550	315-0750-00				RES., FXD, CMPSN: 75 OHM, 5%, 0.25W	57668	NTR25J-E75E0
A06R555	315-0271-00				RES., FXD, CMPSN: 270 OHM, 5%, 0.25W	01121	CB2715
A06R700	315-0331-00				RES., FXD, CMPSN: 330 OHM, 5%, 0.25W	57668	NTR25J-E330E
A06U100	156-0385-00	.300101	.300280		MICROCIRCUIT, DI: HEX INVERTER, SCRNR, 74LS04	01295	SN74LS04
A06U100	----				(318 ONLY)		
A06U100	156-0385-02	.300281			MICROCIRCUIT, DI: HEX INVERTER	01295	SN74LS04
A06U100	----				(318 ONLY)		
A06U100	156-0385-00	.300101	.300150		MICROCIRCUIT, DI: HEX INVERTER, SCRNR, 74LS04	01295	SN74LS04
A06U100	----				(338 ONLY)		
A06U100	156-0385-02	.300151			MICROCIRCUIT, DI: HEX INVERTER	01295	SN74LS04
A06U100	----				(338 ONLY)		
A06U110	156-1108-00	.300101	.300280		MICROCIRCUIT, DI: DIVIDE BY 12 COUNTER, SCRNR	01295	SN74LS92
A06U110	----				(318 ONLY)		
A06U110	156-1108-02	.300281			MICROCIRCUIT, DI: DIVIDE BY 12 COUNTER, SCRNR	01295	SN74LS92(NP3 OR
A06U110	----				(318 ONLY)		
A06U110	156-1108-00	.300101	.300150		MICROCIRCUIT, DI: DIVIDE BY 12 COUNTER, SCRNR	01295	SN74LS92
A06U110	----				(338 ONLY)		
A06U110	156-1108-02	.300151			MICROCIRCUIT, DI: DIVIDE BY 12 COUNTER, SCRNR	01295	SN74LS92(NP3 OR
A06U110	----				(338 ONLY)		
A06U120	156-0910-00	.300101	.300280		MICROCIRCUIT, DI: DUAL DECADE COUNTER, SCRNR	01295	SN74LS390
A06U120	----				(318 ONLY)		
A06U120	156-0910-02	.300281			MICROCIRCUIT, DI: DUAL DECADE COUNTER	01295	SN74LS390
A06U120	----				(318 ONLY)		
A06U120	156-0910-00	.300101	.300150		MICROCIRCUIT, DI: DUAL DECADE COUNTER, SCRNR	01295	SN74LS390
A06U120	----				(338 ONLY)		
A06U120	156-0910-02	.300151			MICROCIRCUIT, DI: DUAL DECADE COUNTER	01295	SN74LS390
A06U120	----				(338 ONLY)		
A06U130	156-1774-00				MICROCIRCUIT, LI: TV SYNC GENERATOR	0000M	156-1774-00
A06U134	156-0745-02				MICROCIRCUIT, DI: INVERTER HEX	0000M	156-0745-02
A06U138	156-1768-00				MICROCIRCUIT, DI: HEX D-TYPE W/COMM CLEAR	0000M	156-1768-00
A06U200	156-0983-04				MICROCIRCUIT, DI: NMOS, 8 BIT MICROPROCESSOR		
A06U210	156-0956-00	.300101	.300280		MICROCIRCUIT, DI: OCTAL BFR W/3 STATE OUT	01295	SN74LS244NP3
A06U210	----				(318 ONLY)		
A06U210	156-0956-02	.300281			MICROCIRCUIT, DI: OCTAL BFR W/3 STATE OUT	01295	SN74LS244NP3
A06U210	----				(318 ONLY)		
A06U210	156-0956-00	.300101	.300150		MICROCIRCUIT, DI: OCTAL BFR W/3 STATE OUT	01295	SN74LS244NP3
A06U210	----				(338 ONLY)		
A06U210	156-0956-02	.300151			MICROCIRCUIT, DI: OCTAL BFR W/3 STATE OUT	01295	SN74LS244NP3
A06U210	----				(338 ONLY)		
A06U212	156-0956-00	.300101	.300280		MICROCIRCUIT, DI: OCTAL BFR W/3 STATE OUT	01295	SN74LS244NP3
A06U212	----				(318 ONLY)		
A06U212	156-0956-02	.300281			MICROCIRCUIT, DI: OCTAL BFR W/3 STATE OUT	01295	SN74LS244NP3
A06U212	----				(318 ONLY)		
A06U212	156-0956-00	.300101	.300150		MICROCIRCUIT, DI: OCTAL BFR W/3 STATE OUT	01295	SN74LS244NP3
A06U212	----				(338 ONLY)		

TM 11-6625-3145-14
Replaceable Electrical Parts-318/338 Service

Component No.	Tektronix	Serial/Model No.		Name & Description	Mfr	
	Part No.	Eff	Dscont		Code	Mfr. Part Number
A06U212	156-0956-02	.300151		MICROCIRCUIT, DI: OCTAL BFR W/3 STATE OUT	01295	SN74LS244NP3
A06U212	----			(338 ONLY)		
A06U214	156-0914-00	.300101	.300280	MICROCIRCUIT, DI: OCT ST BFR W/3 STATE OUT	01295	SN74LS240
A06U214	----			(318 ONLY)		
A06U214	156-0914-02	.300281		MICROCIRCUIT, DI: OCT ST BFR W/3 STATE OUT	01295	SN74LS240
A06U214	----			(318 ONLY)		
A06U214	156-0914-00	.300101	.300150	MICROCIRCUIT, DI: OCT ST BFR W/3 STATE OUT	01295	SN74LS240
A06U214	----			(338 ONLY)		
A06U214	156-0914-02	.300151		MICROCIRCUIT, DI: OCT ST BFR W/3 STATE OUT	01295	SN74LS240
A06U214	----			(338 ONLY)		
A06U216	156-1111-00	.300101	.300280	MICROCIRCUIT, DI: OCTAL BUS TRANSCEIVERS	01295	SN74LS245N3
A06U216	----			(318 ONLY)		
A06U216	156-1111-02	.300281		MICROCIRCUIT, DI: OCTAL BUS TRANSCEIVERS	01295	SN74LS245 N30RJ4
A06U216	----			(318 ONLY)		
A06U216	156-1111-00	.300101	.300150	MICROCIRCUIT, DI: OCTAL BUS TRANSCEIVERS	01295	SN74LS245N3
A06U216	----			(338 ONLY)		
A06U216	156-1111-02	.300151		MICROCIRCUIT, DI: OCTAL BUS TRANSCEIVERS	01295	SN74LS245 N30RJ4
A06U216	----			(338 ONLY)		
A06U220	156-0961-04			MICROCIRCUIT, DI: QUAD 2-INPUT NAND	0000M	156-0961-04
A06U230	156-1764-00			MICROCIRCUIT, DI: DUAL 4-INPUT NAND	0000M	156-1764-00
A06U300	156-1282-00			MICROCIRCUIT, DI: 8 BIT PRIORITY ENCODER	0000M	156-1282-00
A06U310	156-1282-00			MICROCIRCUIT, DI: 8 BIT PRIORITY ENCODER	0000M	156-1282-00
A06U320	156-1765-00			MICROCIRCUIT, DI: OCTAL BFR W/3-STATE OUT	0000M	156-1765-00
A06U400	156-1781-00			MICROCIRCUIT, DI: 2K BYTE RAM	0000M	156-1781-00
A06U401	156-1781-00			MICROCIRCUIT, DI: 2K BYTE RAM	0000M	156-1781-00
A06U500	156-1776-00			MICROCIRCUIT, DI: DISPLAY CONTROLLER	000CM	156-1776-00
A06U505	156-0382-00	.300101	.300280	MICROCIRCUIT, DI: QUAD 2 INP NAND GATE	01295	SN74LS00NP3
A06U505	----			(318 ONLY)		
A06U505	156-0382-02	.300281		MICROCIRCUIT, DI: QUAD 2-INP NAND GATE	01295	SN74LS00
A06U505	----			(318 ONLY)		
A06U505	156-0382-00	.300101	.300150	MICROCIRCUIT, DI: QUAD 2 INP NAND GATE	01295	SN74LS00NP3
A06U505	----			(338 ONLY)		
A06U505	156-0382-02	.300151		MICROCIRCUIT, DI: QUAD 2-INP NAND GATE	01295	SN74LS00
A06U505	----			(338 ONLY)		
A06U510	156-1766-00			MICROCIRCUIT, DI: QUAD 2-INPUT NAND GATE	0000M	156-1766-00
A06U515	156-1781-00			MICROCIRCUIT, DI: 2K BYTE RAM	0000M	156-1781-00
A06U520	156-1770-00			MICROCIRCUIT, DI: OCTAL D-TYPE W/CLEAR	0000M	156-1770-00
A06U525	156-1767-00			MICROCIRCUIT, DI: OCTAL BUS TRANSCEIVER	0000M	156-1767-00
A06U530	160-1898-00			MICROCIRCUIT, DI: 4K BYTE MASK ROM, CHARACTER	0000M	160-1898-00
A06U540	156-0724-00	.300101	.300280	MICROCIRCUIT, DI: HEX INV W/OC OUT, SCRN	01295	SN74LS05
A06U540	----			(318 ONLY)		
A06U540	156-0724-02	.300281		MICROCIRCUIT, DI: HEX INV W/OC OUT, BURN-IN	01295	SN74LS05
A06U540	----			(318 ONLY)		
A06U540	156-0724-00	.300101	.300150	MICROCIRCUIT, DI: HEX INV W/OC OUT, SCRN	01295	SN74LS05
A06U540	----			(338 ONLY)		
A06U540	156-0724-02	.300151		MICROCIRCUIT, DI: HEX INV W/OC OUT, BURN-IN	01295	SN74LS05
A06U540	----			(338 ONLY)		
A06U542	156-0385-00	.300101	.300280	MICROCIRCUIT, DI: HEX INVERTER, SCRN, 74LS04	01295	SN74LS04
A06U542	----			(318 ONLY)		
A06U542	156-0385-02	.300281		MICROCIRCUIT, DI: HEX INVERTER	01295	SN74LS04
A06U542	----			(318 ONLY)		
A06U542	156-0385-00	.300101	.300150	MICROCIRCUIT, DI: HEX INVERTER, SCRN, 74LS04	01295	SN74LS04
A06U542	----			(338 ONLY)		
A06U542	156-0385-02	.300151		MICROCIRCUIT, DI: HEX INVERTER	01295	SN74LS04
A06U542	----			(338 ONLY)		

TM 11-6625-3145-14
Replaceable Electrical Parts-318/338 Service

Component No.	Tektronix Part No.	Serial/Model No. Eff Dscont	Name & Description	Mfr Code	Mfr. Part Number
A06W500	131-0566-00		BUS CONDUCTOR: DUMMY RES, 2.375, 22 AWG	57668	JWW-0200E0
A06Y105	158-0268-00	.300126	XTAL UNIT, QTZ: 10.227MHZ, 20%, PAR	0000M	158-0268-00
A06Y105	---- ----		(318 ONLY)		
A06Y105	158-0268-00		XTAL UNIT, QTZ: 10.227MHZ, 20%, PAR	0000M	158-0268-00
A06Y105	---- ----		(338 ONLY)		
A06Y115	158-0267-00	.300126	XTAL UNIT, QTZ: 14.746MHZ, 20%, PAR	0000M	158-0267-00
A06Y115	---- ----		(318 ONLY)		
A06Y115	158-0267-00		XTAL UNIT, QTZ: 14.746MHZ, 20%, PAR	0000M	158-0267-00
A06Y115	---- ----		(338 ONLY)		

TM 11-6625-3145-14
Replaceable Electrical Parts-318/338 Service

Component No.	Tektronix		Serial/Model No.		Name & Description	Mfr Code	Mfr. Part Number
	Part No.	Eff	Dscont				
A07	670-7809-00				CKT BOARD ASSY: SERIAL/RS232/NUM (318/338 OPTION 01 ONLY)	80009	670-7809-00
A07	----						
A07BT001	146-0046-00				BATTERY, DRY: 3.4V, 850MA, LITHIUM	0000M	146-0046-00
A07C010	281-0900-00				CAP., VAR, CER DI: 2-12PF, 300V	0000M	281-0900-00
A07C011	281-0772-00				CAP., FXD, CER DI: 0.0047UF, 10%, 100V	04222	GC701C472K
A07C030	283-0059-00				CAP., FXD, CER DI: 1UF, +80-20%, 50V	51642	400050Z5U105Z
A07C031	281-0819-00				CAP., FXD, CER DI: 33PF, 5%, 50V	72982	8035BC0G330
A07C040	281-0768-00				CAP., FXD, CER DI: 470PF, 20%/, 100V	56289	292CC0G471M100B
A07C130	290-0995-00				CAP., FXD, ELCTLT: 47UF, 20%, 16V	0000M	290-0995-00
A07C150	281-0768-00				CAP., FXD, CER DI: 470PF, 20%, 100V	56289	292CC0G471M100B
A07C160	290-0993-00				CAP., FXD, ELCTLT: 100UF, t+5-10%/, 16V	0000M	290-0993-00
A07C200	290-0995-00				CAP. FXD, ELCTLT: 47UF, 20%/, 16V	0000M	290-0995-00
A07C201	281-0775-00				CAP., FXD, CER DI: 0.1UF, 20%, 50V	04222	MA205E104MAA
A07C300	281-0775-00				CAP., FXD, CER DI: 0.1UF, 20%, 50V	04222	MA205E104MAA
A07C301	281-0775-00				CAP., FXD, CER DI: 0.1UF, 20%, 50V	04222	MA205E104MAA
A07C302	281-0775-00				CAP., FXD, CER DI: 0.1UF, 20%, 50V	04222	MA205E104MAA
A07C310	281-0775-00				CAP., FXD, CER DI: 0.1UF, 20%, 50V	04222	MA205E104MAA
A07C311	281-0775-00				CAP., FXD, CER DI: 0.1UF, 20%, 50V	04222	MA205E104MAA
A07C320	281-0775-00				CAP., FXD, CER DI: 0.1UF, 20%, 50V	04222	MA205E104MAA
A07C321	281-0775-00				CAP., FXD, CER DI: 0.1UF, 20%, 50V	04222	MA205E104MAA
A07CR010	152-0323-03				SEMICONV DEVICE: SIG, SI, BAX 13	0000M	152-0323-03
A07CR011	152-0323-03				SEMICONV DEVICE: SIG, SI, BAX 13	0000M	152-0323-03
A07CR120	152-0327-00				SEMICONV DEVICE: SIG, SI, BAX13	T0191	152-0327-00
A07CR130	152-0327-00				SEMICONV DEVICE: SIG, SI., BAX13	T0191	152-0327-00
A07CR170	152-0327-00				SEMICONV DEVICE: SIG, SI, BAX13	T0191	152-0327-00
A07J100	131-2942-01				CONN, RCPT, ELEC: HEADER, ANGLE, 2 X 13	0000M	131-2942-01
A07Q120	151-0188-00				TRANSISTOR: PNP, SI, TO-92	T0058	2N3906
A07Q140	151-0188-00				TRANSISTOR: PNP, SI, TO-92	T0058	2N3906
A07Q141	151-0190-00				TRANSISTOR: NPN, SI, TO-92	04713	SPS7969
A07Q150	151-0190-00				TRANSISTOR: NPN, SI, TO-92	04713	SPS7969
A07Q170	151-0188-00				TRANSISTOR: PNP, SI, TO-92	T0058	2N3906
A07R010	321-0481-04				RES., FXD, FILM: 1M OHM, 0.1%, 0.125W	91637	CMF55116D10003B
A07R011	315-0474-00				RES., FXD, CMPSN: 470K OHM, 5, %, 0.25W	57668	NTR25J-E470K
A07R023	311-1616-00				RES., VAR, NONWWW: 25K OHM, 20%, 0.5W	0000M	311-1616-00
A07R030	315-0202-00				RES., FXD, CMPSN: 2K OHM, 5%, 0.25W	57668	NTR25J-E02K0
A07R033	----				(PART NUMBER NOT AVLBL AT THIS PRINTING)		
A07R034	321-0603-07				RES., FXD, FILM: 15K OHM, 0.10, 0.125W	91637	MFF1816C15001B
A07R040	315-0181-00				RES., FXD, CMPSN: 180 OHM, 5%, 0.25W	57668	NTR25J-E180E
A07R041	315-0111-00				RES., FXD, CMPSN: 110 OHM, 5%, 0.25W	57668	NTR25J-E110E
A07R045	315-0392-00				RES., FXD, CMPSN: 3.9K OHM, 5%, 0.25W	57668	NTR25J-E03K9
A07R046	315-0132-00				RES., FXD, CMPSN: 1.3K OHM, 5%, 0.25W	57668	NTR25J-E001K3
A07R050	307-0637-00				RES NTWK, FXD, FI: 5, 2K OHM, 2, %, 0.125W	01121	206A202
A07R060	307-0884-00				RES NTWK, FXD, FI: 6, 10K OHM, 5%, 0.25W	0000M	307-0884-00
A07R061	307-0884-00				RES NTWK, FXD, FI: 6, 10K OHM, 5%, 0.25W	0000M	307-0884-00
A07R070	307-0885-00				RES NTWK, FXD, FI: 5, 100K OHM, 5%, 0.125W	0000M	307-0885-00
A07R100	315-0202-00				RES., FXD, CMPSN: 2K OHM, 5%, 0.25W	57668	NTR25J-E02K0
A07R101	311-1615-00				RES., VAR, NONWWW: 2K OHM, 20%, 0.5W	0000M	311-1615-00
A07R102	315-0681-00				RES., FXD, CMPSN: 680 OHM, 5%, 0.25W	57668	NTR25J-E680E
A07R112	315-0821-00				RES., FXD, CMPSN: 820 OHM, 5%, 0.25W	57668	NTR25J-E 820E
A07R120	315-0471-00				RES., FXD, CMPSN: 470 OHM, 5%, 0.25W	57668	NTR25J-E470E
A07R121	315-0202-00				RES., FXD, CMPSN: 2K OHM, 5%, 0.25W	57668	NTR25J-E02K0
A07R122	315-0202-00				RES., FXD, CMPSN: 2K OHM, 5%, 0.25W	57668	NTR25J-E02K0
A07R123	315-0511-00				RES., FXD, CMPSN: 510 OHM, 5%, 0.25W	01121	CB5115
A07R130	315-0102-00				RES., FXD, CMPSN: 1K OHM, 5%, 0.25W	57668	NTR25JE01K0

TM 11-6625-3145-14
Replaceable Electrical Parts-318/338 Service

Component No.	Tektronix	Serial/Model No.		Name & Description	Mfr	Mfr. Part Number
	Part No.	Eff	Dscont		Code	
A07R131	315-0104-00			RES., FXD, CMPSN: 100K OHM, 5%, 0.25W	57668	NTR25J-E100K
A07R140	315-0622-00			RES., FXD, CMPSN: 6.2K OHM, 5%, 0.25W	01121	CB6225
A07R141	315-0152-00			RES., FXD, CMPSN: 1.5K OHM, 5%, 0.25W	57668	NTR25J-E01K5
A07R150	315-0510-00			RES., FXD, CMPSN: 51 OHM, 5%, 0.25W	57668	NTR25J-E51E0
A07R151	315-0511-00	.300161		RES., FXD, CMPSN: 510 OHM, 5%, 0.25W	01121	CB5115
A07R160	315-0202-00			RES., FXD, CMPSN: 2K OHM, 5%, 0.25W	57668	NTR25J-E02K0
A07R170	315-0104-00			RES., FXD, CMPSN: 100K OHM, 5%, 0.25W	57668	NTR25J-E100K
A07R171	315-0392-00			RES., FXD, CMPSN: 3.9K OHM, 5%, 0.25W	57668	NTR25J-E03K9
A07R175	315-0332-00			RES., FXD, CMPSN: 3.3K OHM, 5%, 0.25W	57668	NTR25J-E03K3
A07R180	315-0202-00			RES., FXD, CMPSN: 2K OHM, 5%, 0.25W	57668	NTR25J-E02K0
A07R181	315-0332-00			RES., FXD, CMPSN: 3.3K OHM, 5%, 0.25W	57668	NTR25J-E03K3
A07TP010	214-0579-00			TERM, TEST POINT: BRS CD PL	80009	214-0579-00
A07TP011	214-0579-00			TERM, TEST POINT: BRS CD PL	80009	214-0579-00
A07TP100	214-0579-00			TERM, TEST POINT: BRS CD PL	80009	214-0579-00
A07TP101	214-0579-00			TERM, TEST POINT: BRS CD PL	80009	214-0579-00
A07TP200	214-0579-00			TERM, TEST POINT: BRS CD PL	80009	214-0579-00
A07TP201	214-0579-00			TERM, TEST POINT: BRS CD PL	80009	214-0579-00
A07U001	156-1781-00			MICROCIRCUIT, DI: 2K BYTE RAM	0000M	156-1781-00
A07U002	156-1424-02			MICROCIRCUIT, DI: SERIAL I/O	0000M	156-1424-02
A07U005	156-0850-00	.300101	.300280	MICROCIRCUIT, DI: PRGM BIT RATE GEN SCRN	07263	4702BDCQR
A07U005	----			(318 ONLY)		
A07U005	156-0850-02	.300281		MICROCIRCUIT, DI: PRGM BIT RATE GEN SCRN	07263	4702BDCQR
A07U005	----			(318 ONLY)		
A07U005	156-0850-00	.300101	.300150	MICROCIRCUIT, DI: PRGM BIT RATE GEN SCRN	07263	4702BDCQR
A07U005	----			(338 ONLY)		
A07U005	156-0850-02	.300151		MICROCIRCUIT, DI: PRGM BIT RATE GEN SCRN	07263	4702BDCQR
A07U005	----			(338 ONLY)		
A07U006	156-0850-00	.300101	.300280	MICROCIRCUIT, DI: PRGM BIT RATE GEN SCRN	07263	4702BDCQR
A07U006	----			(318 ONLY)		
A07U006	156-0850002	.300281		MICROCIRCUIT, DI: PRGM BIT RATE GEN SCRN	07263	4702BDCQR
A07U006	----			(318 ONLY)		
A07U006	156-0850-00	.300101	.300150	MICROCIRCUIT, DI: PRGM BIT RATE GEN SCRN	07263	4702BDCQR
A07U006	----			(338 ONLY)		
A071J006	156-0850-02	.300151		MICROCIRCUIT, DI: PRGM BIT RATE GEN SCRN	07263	4702BDCQR
A07U006	----			(338 ONLY)		
A07U012	156-0381-00	.300101	.300280	MICROCIRCUIT, DI: QUAD 2-INP EXCL OR GATE	01295	SN74LS86
A07U012	----			(318 ONLY)		
A07U012	156-0381-02	.300281		MICROCIRCUIT, DI: QUAD 2-INP EXCL OR GATE	01295	SN74LS86
A07U012	----			(318 ONLY)		
A07U012	156-0381-00	.300101	.300150	MICROCIRCUIT, DI: QUAD 2-INP EXCL OR GATE	01295	SN74LS86
A07U012	----			(338 ONLY)		
A07U012	156-0381-02	.300151		MICROCIRCUIT, DI: QUAD 2-INP EXCL OR GATE	01295	SN74LS86
A07U012	----			(338 ONLY)		
A07U013	156-0383-00	.300101	.300280	MICROCIRCUIT DI: QUAD 2-IMP NOR GATE, SCRN	01295	SN74LS02
A07U013	----			(318 ONLY)		
A07U013	156-0383-02	.300281		MICROCIRCUIT, DI: QUAD 2-INP NOR GATE	01295	SN74LS02
A07U013	----			(318 ONLY)		
A07U013	156-0383-00	.300101	.300150	MICROCIRCUIT DI: QUAD 2-IMP NOR GATE, SCRN	01295	SN74LS02
A07U013	----			(338 ONLY)		
A07U013	156-0383-02	.300151		MICROCIRCUIT, DI: QUAD 2-INP NOR GATE	01295	SN74LS02
A07U013	----			(338 ONLY)		
A07U020	156-0385-00	.300101	.300280	MICROCIRCUIT, DI: HEX INVERTER, SCRN, 74LS04	01295	SN74LS04
A07U020	----			(318 ONLY)		
A07U020	156-0385-02	.300281		MICROCIRCUIT, DI: HEX INVERTER	01295	SN74LS04
A07U020	----			(318 ONLY)		

TM 11-6625-3145-14
Replaceable Electrical Parts-318/338 Service

Component No.	Tektronix	Serial/Model No.		Name & Description	Mfr	Mfr. Part Number
	Part No.	Eff	Dscont		Code	
A07U020	156-0385-00	.300101	.300150	MICROCIRCUIT, DI: HEX INVERTER, SCRNM, 74LS04	01295	SN74LS04
A07U020	----			(338 ONLY)		
A07U020	156-0385-02	.300151		MICROCIRCUIT, DI: HEX INVERTER	01295	SN74LS04
A07U020	----			(338 ONLY)		
A07U021	156-0481-00	.300101	.300280	MICROCIRCUIT, DI: TRIPLE 3-INP & GATE, SCRNM	01295	SN74LS11
A07U021	----			(318 ONLY)		
A07U021	156-0481-02	.300281		MICROCIRCUIT, DI: TRIPLE 3 INP & GATE	27014	DM74LS11NA+
A07U021	----			(318 ONLY)		
A07U021	156-0481-00	.300101	.300150	MICROCIRCUIT, DI: TRIPLE 3-INP & GATE, SCRNM	01295	SN74LS11
A07U021	----			(338 ONLY)		
A07U021	156-0481-02	.300151		MICROCIRCUIT, DI: TRIPLE 3 INP & GATE	27014	DM74LS11NA+
A07U021	----			(338 ONLY)		
A07U022	156-0388-00	.300101	.300280	MICROCIRCUIT, DI: DUAL D FLIP-FLOP, SCRNM	01295	SN74LS74A
A07U022	----			(318 ONLY)		
A07U022	156-0388-03	.300281		MICROCIRCUIT, DI: DUAL D FLIP-FLOP	07263	74LS74A
A07U022	----			(318 ONLY)		
A07U022	156-0388-00	.300101	.300150	MICROCIRCUIT, DI: DUAL D FLIP-FLOP, SCRNM	01295	SN74LS74A
A07U022	----			(338 ONLY)		
A07U022	156-0388-03	.300151		MICROCIRCUIT, DI: DUAL D FLIP-FLOP	07263	74LS74A
A07U022	----			(338 ONLY)		
A07U025	156-1111-00	.300101	.300280	MICROCIRCUIT, DI: OCTAL BUS TRANSCEIVERS	01295	SN74LS245N3
A07U025	----			(318 ONLY)		
A07U025	156-1111-02	.300281		MICROCIRCUIT, DI: OCTAL BUS TRANSCEIVERS	01295	SN74LS245 N30RJ4
A07U025	----			(318 ONLY)		
A07U025	156-1111-00	.300101	.300150	MICROCIRCUIT, DI: OCTAL BUS TRANSCEIVERS	01295	SN74LS245N3
A07U025	----			(338 ONLY)		
A07U025	156-1111-02	.300151		MICROCIRCUIT, DI: OCTAL BUS TRANSCEIVERS	01295	SN74LS245 N30RJ4
A07U025	----			(338 ONLY)		
A07U030	156-0469-00	.300101	.300280	MICROCIRCUIT, DI: 3/8 LINE DCNR, SCRNM	01295	SN74LS138
A07U030	----			(318 ONLY)		
A07U030	156-0469-02	.300281		MICROCIRCUIT, DI: 3/8 LINE DCNR	01295	SN74LS138NP3
A07U030	----			(318 ONLY)		
A07U030	156-0469-00	.300101	.300150	MICROCIRCUIT, DI: 3/8 LINE DCNR, SCRNM	01295	SN74LS138
A07U030	----			(338 ONLY)		
A07U030	156-0469-02	.300151		MICROCIRCUIT, DI: 3/8 LINE DCNR	01295	SN74LS138NP3
A07U030	----			(338 ONLY)		
A07U031	156-0391-00	.300101	.300280	MICROCIRCUIT, DI: HEX LATCH W/CLEAR, SCRNM	01295	SN74LS174
A07U031	----			(318 ONLY)		
A07U031	156-0391-02	.300281		MICROCIRCUIT, DI: HEX LATCH W/CLEAR	01295	SN74LS174
A07U031	----			(318 ONLY)		
A07U031	156-0391-00	.300101	.300150	MICROCIRCUIT, DI: HEX LATCH W/CLEAR, SCRNM	01295	SN74LS174
A07U031	----			(338 ONLY)		
A07U031	156-0391-02	.300151		MICROCIRCUIT, DI: HEX LATCH W/CLEAR	01295	SN74LS174
A07U031	----			(338 ONLY)		
A07U032	156-1373-01			MICROCIRCUIT, DI: QUAD BUS BFR GATES W/3	01295	SN74LS125N3
A07U040	156-0878-02			MICROCIRCUIT, DI: QUAD RS232 LINE RCVR	0000M	156-0878-02
A07U041	156-0879-02			MICROCIRCUIT, DI: QUAD RS232 LINE RCVR	0000M	156-0879-02
A07U045	156-0391-00	.300101	.300280	MICROCIRCUIT, DI: HEX LATCH W/CLEAR, SCRNM	01295	SN74LS174
A07U045	----			(318 ONLY)		
A07U045	156-0391-02	.300281		MICROCIRCUIT, DI: HEX LATCH W/CLEAR	01295	SN74LS174
A07U045	----			(318 ONLY)		
A07U045	156-0391-00	.300101	.300150	MICROCIRCUIT, DI: HEX LATCH W/CLEAR, SCRNM	01295	SN74LS174
A07U045	----			(338 ONLY)		
A07U045	156-0391-02	.300151		MICROCIRCUIT, DI: HEX LATCH W/CLEAR	01295	SN74LS174
P045				(338 ONLY)		

Component No.	Tektronix Part No.	Serial/Model No. Eff Dscont	Name & Description	Mfr Code	Mfr. Part Number
A07U100	156-1156-01		MICROCIRCUIT, LI: OPERATIONAL AMPL	27014	LF356N/A +
A07U110	156-1126-02		MICROCIRCUIT, LI: COMPARATOR SINGLE W/STROBE	0000M	156-1126-02
A07U111	156-1126-02		MICROCIRCUIT, LI: COMPARATOR SINGLE W/STROBE	0000M	156-1126-02
A07U120	156-1126-02		MICROCIRCUIT, LI: COMPARATOR SINGLE W/STROBE	0000M	156-1126-02
A07VR100	152-0813-00		SEMICONV DEVICE: ZENER, SI, 3.0V, 5, %, 5W	0000M	152-0813-00
A07W100	175-0142-00		CA ASSY, SP, ELEC: 26 AWG, 20CM	0000M	175-0142-00

TM 11-6625-3145-14
Replaceable Electrical Parts-318/338 Service

Component No.	Tektronix	Serial/Model No.		Name & Description	Mfr	Mfr. Part Number
	Part No.	Eff	Dscont		Code	
A08	670-7811-00			CKT BOARD ASSY: MOTHER	80009	670-7811-00
A08	----			(318/338 ONLY)		
A08J001	131-3065-00	.300126		CONN, RCPT, ELEC: EDGE CARD, 50 FEMALE	0000M	131-3065-00
A08J001	----			(318 ONLY)		
A08J001	131-3065-00			CONN, RCPT, ELEC: EDGE CARD, 50 FEMALE	0000M	131-3065-00
A08J001	----			(338 ONLY)		
A08J002	131-3065-00	.300126		CONN, RCPT, ELEC: EDGE CARD, 50 FEMALE	0000M	131-3065-00
A08J002	----			(318 ONLY)		
A08J002	131-3065-00			CONN, RCPT, ELEC: EDGE CARD, 50 FEMALE	0000M	131-3065-00
A08J002	----			(338 ONLY)		
A08J003	131-3065-00	.300126		CONN, RCPT, ELEC: EDGE CARD, 50 FEMALE	0000M	131-3065-00
A08J003	----			(318 ONLY)		
A08J003	131-3065-00			CONN, RCPT, ELEC: EDGE CARD, 50 FEMALE	0000M	131-3065-00
A08J003	----			(338 ONLY)		
A08J004	131-3065-00	.300126		CONN, RCPT, ELEC: EDGE CARD, 50 FEMALE	0000M	131-3065-00
A08J004	----			(318 ONLY)		
A08J004	131-3065-00			CONN, RCPT, ELEC: EDGE CARD, 50 FEMALE	0000M	131-3065-00
A08J004	----			(338 ONLY)		
A08J005	131-3065-00	.300126		CONN, RCPT, ELEC: EDGE CARD, 50 FEMALE	0000M	131-3065-00
A08J005	----			(318 ONLY)		
A08J005	131-3065-00			CONN, RCPT, ELEC: EDGE CARD, 50 FEMALE	0000M	131-3065-00
A08J005	----			(338 ONLY)		
A08J006	131-3065-00	.300126		CONN, RCPT, ELEC: EDGE CARD, 50 FEMALE	0000M	131-3065-00
A08J006	----			(318 ONLY)		
A08J006	131-3065-00			CONN, RCPT, ELEC: EDGE CARD, 50 FEMALE	0000M	131-3065-00
408J006	----			(338 ONLY)		
A08J007	131-3064-00	.300126		CONN, RCPT, ELEC: EDGE CARD, 25 FEMALE	0000M	131-3064-00
A08J007	----			(318 ONLY)		
A08J007	131-3064-00			CONN, RCPT, ELEC: EDGE CARD, 25 FEMALE	0000M	131-3064-00
A08J007	----			(338 ONLY)		
A08J050	131-3062-00	.300126		CONN, RCPT, ELEC: CKT BD, 5 MALE	0000M	131-3062-00
A08J050	----			(318 ONLY)		
A08J050	131-3062-00			CONN, RCPT, ELEC: CKT BD, 5 MALE	0000M	131-3062-00
A08J050	----			(338 ONLY)		
A08J051	131-3063-00	.300126		CONN, RCPT, ELEC: CKT BD, 10 MALE	0000M	131-3063-00
A08J051	----			(318 ONLY)		
A08J051	131-3063-00			CONN, RCPT, ELEC: CKT BD, 10 MALE	0000M	131-3063-00
A08J051	----			(338 ONLY)		
A08J100	175-0049-00			CA ASSY, SP, ELEC: 16, 28 AWG, 20CM	0000M	175-0049-00

TM 11-6625-3145-14
Replaceable Electrical Parts-318/338 Service

Component No.	Tektronix Part No.	Serial/Model No. Eff Dscont	Name & Description	Mfr Code	Mfr. Part Number
A09	260-2133-00		SWITCH PB ASSY: KEYBOARD	80009	260-2133-00
A09DS010	150-1057-00		LT EMITTING DIO: GREEN, 20MA	0000M	150-1057-00
A09J010	131-2230-01		CONN, RCPT, ELEC: HEADER, 2 X 8, 2.54 SPACING		
A09R010	316-0331-00		RES., FXD, CMPSN: 330 OHM, 10%, 0.25W	01121	CB3311
A09R020	----		(PART NUMBER NOT AVLBL AT THIS PRINTING)		

TM 11-6625-3145-14
Replaceable Electrical Parts-318/338 Service

Component No.	Tektronix Serial/Model No.		Name & Description	Mfr	
	Part No.	Eff Dscont		Code	Mfr. Part Number
A10	670-7810-00		CKT BOARD ASSY: CRT CIRCUIT	80009	670-7810-00
A10	----		(318/338 ONLY)		
A10C001	290-0536-00		CAP., FXD, ELCTLT: 10UF, 20%, 25V	90201	TDC106M025FL
A10C005	290-0536-00		CAP., FXD, ELCTLT: 10UF, 20%, 25V	90201	TDC106M025FL
A10C010	290-0512-00		CAP., FXD, ELCTLT: 22UF, 20%, 15V	56289	196D226X0015KA1
A10C015	290-0512-00		CAP., FXD, ELCTLT: 22UF, 20 15V	56289	196D226X0015KA1
A10C020	290-0536-00		CAP., FXD, ELCTLT: 10UF, 20%, 25V	90201	TDC106M025FL
A10C030	290-0746-00		CAP., FXD, ELCTLT: 47UF, - 50-10%, 16V	55680	ULA1C470TEA
A10C035	290-0991-00		CAP., FXD, ELCTLT: 2200UF, - 50-10%, 16V	0000M	290-0991-00
A10C040	290-0746-00		CAP., FXD, ELCTLT: 47UF, + 50-10%, 16V	55680	ULA1C470TEA
A10C050	281 0775-00		CAP., .FXD, CER DI: 0.1UF, 20%, 50V	04222	MA205E104MAA
A10C103	290-0861-00		CAP. .FXD, ELCTLT: 200UF, + 30-10%, 16V	0000M	290-0861-00
A10C120	281-0814-00		CAP., FXD, CER DI: 100PF, 10%, 100V	04222	GC101A101K
A10C200	281-0809-00		CAP., FXD, CER DI: 200PF, 5%, 100V	04222	GC101A201J
A10C210	290-0854-00		CAP., FXD, ELCTLT: 1UF, +75-10%, 50V	0000M	290-0854-00
A10C230	281-0774-00		CAP., FXD, CER DI: 0.022UF, 20%, 100V	12969	CGE223MEZ
A10C235	290-0992-00		CAP., FXD, ELCTLT: 470UF, + 50-10%, 16V	0000M	290-0992-00
A10C240	290-0957-00		CAP., FXD, ELCTLT: 47UF, +85-40%, 63V	0000M	290-0957-00
A10C245	281-0773-00		CAP., FXD, CER DI: 0.1UF, 20%, 50V	04222	MA201C103KAA
A10C250	283-0002-00		CAP., FXD, CER DI: 0.01UF, + 80-20%, 500V	59821	SDDH69L103Z
A10C270	290-0861-00		CAP., FXD, ELCTLT: 200UF, + 30-10%, 16V	0000M	290-0861-00
A10C275	290-0861-00		CAP. .FXD, ELCTLT: 200UF, + 30-10%, 16V	0000M	290-0861-00
A10C280	290-0861-00		CAP., FXD, ELCTLT: 200UF, + 30-10%, 16V	0000M	290-0861-00
A10C285	281-0775-00		CAP., FXD, CER DI: 0.1UF, 20%, 50V	04222	MA205E104MAA
A10C290	290-0862-00		CAP., FXD, ELCTLT: 470UF, - 30-10%, 10V	0000M	290-0862-00
A10CR220	152-0327-00		SEMICONV DEVICE: SIG, SI, BAX13	T0191	152-0327-00
A10CR230	152-0414-00		SEMICONV DEVICE: SILICON, 200V, 0.75A	12969	UTR308
A10CR240	152-0776-00		SEMICONV DEVICE: SILICON, 600V, 800MA	0000M	152-0776-00
A10CR250	152-0776-00		SEMICONV DEVICE: SILICON, 600V, 800MA	0000M	152-0776-00
A10GND001	214-0579-00		TERM, TEST POINT: BRS CD PL	80009	214-0579-00
A10L116	108-1064-00		COIL, RF: FIXED, 68UH	0000M	108-1064-00
A10L140	108-1667-00		COIL, RF: FIXED, 68UF	0000M	108-1667-00
A10L150	119-1059-00		COIL, TUBE DEFL: FIXED, DEFLECTION YOKE	0000M	119-1059-00
A10Q100	151-0702-01		TRANSISTOR: NPN		
A10Q110	151-0702-01		TRANSISTOR: NPN		
A10Q120	151-0190-00		TRANSISTOR: NPN, SI, TO-92	04713	SPS7969
A10Q200	151-0190-00		TRANSISTOR: NPN, SI, TO-92	04713	SPS7969
A10Q220	151-0601-00		TRANSISTOR: SILICON, NPN	0000M	151-0601-00
A10R001	315-0102-00		RES., FXD, CMPSN: 1K OHM, 5%, 0.25W	57668	NTR25JE01K0
A10R002	315-0302-00		RES., FXD, CMPSN: 3K OHM, 5%, 0.25W	57668	NTR25J-E03K0
A10R005	315-0433-00		RES., FXD, CMPSN: 43K OHM, 5%, 0.25W	57668	NTR25J-E043K
A10R010	315-0682-00		RES., FXD, CMPSN: 6.8K OHM, 5%, 0.25W	57668	NTR25J-E06K8
A10R015	311-1613-00		RES., VAR, NONWW: 20K OHM, 20%, 0.5W	0000M	311-1613-00
A10R030	315-0101-00		RES., FXD, CMPSN: 100 OHM, 5%, 0.25W	57668	NTR25J-E 100E
A10R031	311-1614-00		RES., VAR, NONWW: 1K OHM, 20%, 0.5W	0000M	311-1614-00
A10R035	307-0053-00		RES., FXD, CMPSN: 3 30HM.5%, 0.50W	01121	EB33G5
A10R100	315-0681-00		RES., FXD, CMPSN: 680 OHM, 5%, 0.25W	57668	NTR25J-E680E
A10R105	315-0362-00		RES., FXD, CMPSN: 3.6K OHM, 5%, 0.25W	01121	CB3625
A10R110	315-0102-00		RES., FXD, CMPSN: 1K OHM, 5%, 0.25W	57668	NTR25JE01K0
A10R112	301-0122-00		RES., FXD, CMPSN: 1.2K OHM, 5%, 0.5W	01121	EB1225
A10R116	301-0122-00		RES., FXD, CMPSN: 1.2K OHM, 5%, 0.5W	01121	EB1225
A10R120	315-0183-00		RES., FXD, CMPSN: 18K OHM, 5%, 0.25W	01121	CB1835
A10R122	315-0202-00		RES., FXD, CMPSN: 2K OHM, 59%, 0.25W	57668	NTR25J-E02K0
A10R124	315-0472-00		RES., FXD, CMPSN: 4.7K OHM, 5%, 0.25W	57668	NTR25J-E04K7

Replaceable Electrical Parts-318/338 Service

Component No.	Tektronix	Serial/Model No.		Name & Description	Mfr.	Mfr. Part Number
	Part No.	Eff	Dscont		Code	
A10R130	315-0362-00			RES., FXD, CMPSN:3.6K OHM, 5%, 0.25W	01121	CB3625
A10R135	315-0132-00			RES., FXD, CMPSN:1.3K OHM, 5%, 0.25W	57668	NTR25J-E01K3
A10R140	315-0102-00			RES., FXD, CMPSN:1K OHM, 5%, 0.25W	57668	NTR25JE01K0
A10R200	315-0472-00			RES., FXD, CMPSN:4.7K OHM, 5%, 0.25W	57668	NTR25J-E04K7
A10R202	315-0242-00			RES., FXD, CMPSN:2.4K OHM, 5%, 0.25W	57668	NTR25J-E02K4
A10R210	315-0271-00			RES., FXD, CMPSN:270 OHM, 5%, 0.25W	01121	CB2715
A10R240	315-0334-00			RES., FXD, CMPSN:330K OHM, 5%, 0.25W	01121	CB3345
A10R245	311-1619-00			RES., VAR, NONWW:100K OHM, 20%, 0, 5W	0000M	311-1619-00
A10R247	311-1618-00			RES., VAR, NONWW:500K OHM, 20%, 0.5W	0000M	311-1618-00
A10R250	315-0303-00			RES., FXD, CMPSN:30K OHM, 5%, 0.25W	01121	CB3035
A10R253	315-0205-00	.300101	.300374	RES., FXD, CMPSN:2M OHM, 5%, 0.25W	01121	CB2055
A10R253	-----			(318 ONLY)		
A10R253	315-0105-00	.300375		RES., FXD, CMPSN:1M OHM, 5%, 0.25W	01121	CB1055
A10R253	-----			(318 ONLY)		
A10R253	315-0205-00	.300101	.300244	RES., FXD, CMPSN:2M OHM, 5%, 0.25W	01121	CB2055
A10R253	-----			(338 ONLY)		
A10R253	315-0105-00	.300245		RES., FXD, CMPSN:1M OHM, 5%, 0.25W	01121	CB1055
A10R253	-----			(338 ONLY)		
A10R255	311-1617-00			RES., VAR, NONWW:2M OHM, 20%, 0.5W	0000M	311-1617-00
A10R280	307-0023-00			RES., FXD, CMPSN:4.7 OHM, 10%, 0.50W	01121	EB47G1
A10T230	120-1205-00			TRANSFORMER, RF:FLYBACK	0000M	120-1205-00
A10TP140	214-0579-00			TERM, TEST POINT:BRS CD PL	80009	214-0579-00
A10TP145	214-0579-00			TERM, TEST POINT:BRS CD PL	80009	214-0579-00
A10U001	156-1779-00			MICROCIRCUIT, LI:V OSC & DRIVE	0000M	156-1779-00
A10U280	156-1224-00			MICROCIRCUIT, LI:3 TERM POS	0000M	156-1224-00
				VOLTAGE REG		
A10V200	154-0867-00			ELECTRON TUBE:CRT	0000M	154-0867-00

Replaceable Electrical Parts-318/338 Service

Component No.	Tektronix Part No.	Serial/Model No. Eff Dscont	Name & Description	Mfr Code	Mfr. Part Number
A11	670-7821-00		CKT BOARD ASSY:INVERTER	80009	670-7821-00
A11	-----		(318/338 ONLY)		
A1C102	285-1272-00		CAP., FXD, PLASTIC:0.22UF, 20%, 250V	0000M	285-1272-00
A1C105	285-1273-00		CAP., FXD, PLASTIC:0.0022UF, 20%, 250V	0000M	285-1273-00
A11C106	285-1273-00		CAP., FXD, PLASTIC:0.0022UF, 20%, 250V	0000M	285-1273-00
A11C121	290-0998-00		CAP., FXD, ELCTLT:330UF, 20%, 200V	0000M	290-0998-00
A11C122	290-0998-00		CAP., FXD, ELCTLT:330UF, 20%, 200V	0000M	290-0998-00
A11C123	283-0496-00		CAP., FXD, CER DI:330PF, 10%, 1KV	0000M	283-0496-00
A11C124	285-1263-00		CAP., FXD, MTLZD:0.01UF, 10%, 630V	0000M	285-1263-00
A11C132	285-1264-00		CAP., FXD, MTLZD:0.22UF, 10%, 63V	0000M	285-1264-00
A11C143	285-1265-00		CAP., FXD, PLASTIC:0.033UF, 10%, 50V	0000M	285-1265-00
A11C147	285-1266-00		CAP., FXD, MTLZD:0.1UF, 10%, 250V	0000M	285-1266-00
A11C150	283-0494-00		CAP., FXD, CER DI:470PF, 10%, 1KV	0000M	283-0494-00
A11C151	285-1269-00		CAP., FXD, PLASTIC:0.01UF, 10%, 250V	0000M	285-1269-00
A11C152	285-1269-00		CAP., FXD, PLASTIC:0.01UF, 10%, 250V	0000M	285-1269-00
A11C153	285-1270-00		CAP., FXD, PLASTIC:0.0047UF, 10%, 250V	0000M	285-1270-00
A11C154	285-1268-00		CAP., FXD, PLASTIC:0.0022UF, 10%, 250V	0000M	285-1268-00
A11C155	290-1001-00		CAP., FXD, ELCTLT:100UF, 20%, 35V	0000M	290-1001-00
A11C156	285-1277-00		CAP., FXD, PLASTIC:0.0033UF, 10%, 250V	0000M	285-1277-00
A11CR101	152-0605-00		SEMICONV DEVICE:RECT, SI, 600V, 4A	0000M	152-0605-00
A11CR123	152-0603-00		SEMICONV DEVICE:RECT, SI, 1KV, 1A	0000M	152-0603-00
A11CR125	152-0603-00		SEMICONV DEVICE:RECT, SI, 1KV, 1A	0000M	152-0603-00
A11CR135	152-0333-03		SEMICONV DEVICE:SILICON, 50V, 200MA	0000M	152-0333-03
A11CR136	152-0333-03		SEMICONV DEVICE:SILICON, 50V, 200MA	0000M	152-0333-03
A11CR137	152-0333-03		SEMICONV DEVICE:SILICON, 50V, 200MA	0000M	152-0333-03
A11CR138	152-0333-03		SEMICONV DEVICE:SILICON, 50V, 200MA	0000M	152-0333-03
A11CR142	152-0333-03		SEMICONV DEVICE:SILICON, 50V, 200MA	0000M	152-0333-03
A11CR145	152-0603-00		SEMICONV DEVICE:RECT, SI, 1KV, 1A	0000M	152-0603-00
A11CR146	152-0333-03		SEMICONV DEVICE:SILICON, 50V, 200MA	0000M	152-0333-03
A11CR147	152-0333-03		SEMICONV DEVICE:SILICON, 50V, 200MA	0000M	152-0333-03
A11CR148	152-0586-02		SEMICONV DEVICE:RECT, SI, 600V, 0.5A	0000M	152-0586-02
A11CR149	152-0333-03		SEMICONV DEVICE:SILICON, 50V, 200MA	0000M	152-0333-03
A11CR151	152-0815-00		SEMICONV DEVICE:SCHOTTKY, SI, 40V, 16A	0000M	152-0815-00
A11CR152	152-0815-00		SEMICONV DEVICE:SCHOTTKY, SI, 40V, 16A	0000M	152-0815-00
A11CR153	152-0815-00		SEMICONV DEVICE:SCHOTTKY, SI, 40V, 16A	0000M	152-0815-00
A11CR154	152-0604-00		SEMICONV DEVICE:RECT, SI, 140V, 8A	0000M	152-0604-00
A11CR155	152-0586-02		SEMICONV DEVICE:RECT, SI, 600V, 0.5A	0000M	152-0586-02
A11CR156	152-0333-03		SEMICONV DEVICE:SILICON, 50V, 200MA	0000M	152-0333-03
A11E123	276-0015-00		CORE, EM:FERRITE	0000M	276-0015-00
A11E124	276-0015-00		CORE, EM:FERRITE	0000M	276-0015-00
A11J004	131-2988-00		CONN, RCPT, ELEC:2, MALE, CONTACT	0000M	131-2988-00
A11J005	131-2988-00		CONN, RCPT, ELEC:2, MALE, CONTACT	0000M	131-2988-00
A11J008	131-2983-00		CONN, RCPT, ELEC:CONTACT, 8 MALE	0000M	131-2983-00
A11J010	131-2983-00		CONN, RCPT, ELEC:CONTACT, 8 MALE	0000M	131-2983-00
A11J011	131-2988-00		CONN, RCPT, ELEC:2, MALE, CONTACT	0000M	131-2988-00
A11L101	108-1184-00		COIL, RF:6.8UH	0000M	108-1184-00
A11L102	108-1180-00		COIL, RF:120UH	0000M	108-1180-00
A11L103	108-1180-00		COIL, RF:120UH	0000M	108-1180-00
A11PS001	620-0315-00		POWER SUPPLY:	0000M	620-0315-00
A11Q131	151-0769-00		TRANSISTOR:SILICON, NPN	0000M	151-0769-00
A11Q134	151-0767-00		TRANSISTOR:SILICON, PNP	0000M	151-0767-00
A11Q135	151-0764-00		TRANSISTOR: SILICON, NPN	0000M	151-0764-00
A11Q139	151-0765-00		TRANSISTOR: SILICON, NPN	0000M	151-0765-00
A11Q140	151-0764-00		TRANSISTOR: SILICON, NPN	0000M	151-0764-00

TM 11-6625-3145-14
Replaceable Electrical Parts-318/338 Service

Component No.	Tektronix	Serial/Model No.		Name & Description	Mfr.	Mfr. Part Number
	Part No.	Eff	Dscont		Code	
A11Q141	151-0764-00			TRANSISTOR:SILICON, NPN	0000M	151-0764-00
A11Q149	151-0766-00			TRANSISTOR:SILICON, NPN	0000M	151-0766-00
A11R121	301-0224-00			RES., FXD, CMPSN:220K OHM, 5%, 0.5W	01121	EB2245
A11R122	301-0224-00			RES., FXD, CMPSN:220K OHM, 5%, 0.5W	01121	EB2245
A11R124	305-0104-01			RES., FXD, CMPSN:100K OHM, 5%, 2W	0000M	305-0104-01
A11R131	301-0664-00			RES., FXD, CMPSN:680K OHM, 5%, 0.50W	01121	EB6845
A11R132	322-1607-00			RES., FXD, FILM:6.2K OHM, 1%, 0.25W	0000M	322-1607-00
A11R134	315-0102-00			RES., FXD, CMPSN:1K OHM, 5%, 0.25W	57668	NTR25JE01K0
A11R135	315-0472-00			RES., FXD, CMPSN:4.7K OHM, 5%, 0.25W	57668	NTR25J-E04K7
A11R137	315-0271-00			RES., FXD, CMPSN:270 OHM, 5%, 0.25W	01121	CB2715
A11R138	315-0332-00			RES., FXD, CMPSN:3.3K OHM, 5%, 0.25W	57668	NTR25J-E03K3
A11R139	315-0561-00			RES., FXD, CMPSN:560 OHM, 5%, 0.25W	01121	CB5615
A11R140	315-0102-00			RES., FXD, CMPSN:1K OHM, 5%, 0.25W	57668	NTR25JE01K
A11R141	315-0102-00			RES., FXD, CMPSN:1K OHM, 5%, 0.25W	57668	NTR25JE01K0
A11R142	315-0102-00			RES., FXD, CMPSN:1K OHM, 5%, 0.25W	57668	NTR25JE01K0
A11R143	315-0682-00			RES., FXD, CMPSN:6.8K OHM, 5%, 0.25W	57668	NTR25J-E06K8
A11R145	301-0100-00			RES., FXD, CMPSN:10 OHM, 5%, 0.50W	01121	EB1005
A11R147	307-0040-00			RES., FXD, CMPSN:4.7 OHM, 5%, 1W	0000M	307-0040-00
A11R149	303-0220-00			RES., FXD, CMPSN:22 OHM, 5%, 1W	01121	GB2205
A11R151	301-0100-00			RES., FXD, CMPSN:10 OHM, 5%, 0.50W	01121	EB1005
A11R152	301-0100-00			RES., FXD, CMPSN:10 OHM, 5%, 0.50W	01121	EB1005
A11R154	301-0100-00			RES., FXD, CMPSN:10 OHM, 5%, 0.50W	01121	EB1005
A11RT101	307-0917-00			RES THERMAL:5 OHM, 20%	0000M	307-0917-00
A11RT102	307-0917-00			RES THERMAL:5 OHM, 20%	0000M	307-0917-00
A11S002	260-1967-00			SWITCH, SLIDE:DPDT, 5A/250V	000FJ	4021.0512
A11S003	260-0638-00			SW, THERMOSTATIC:10A, 240V, OPEN 75 DEG C	93410	430-364
A11T101	120-1117-00			TRANSFORMER, RF:COMMON MODE	0000M	120-1117-00
A11T102	120-1117-00			TRANSFORMER, RF:COMMON MODE	0000M	120-1117-00
A11T120	120-1500-00			TRANSFORMER, RF:CONVERTER	0000M	120-1500-00
A11T140	120-1501-00			TRANSFORMER, RF:BASE DRIVER	0000M	120-1501-00
A11VR101	-----			(P/N NOT AVAILABLE AT THIS PRINTING)		
A11VR102	-----			(P/N NOT AVAILABLE AT THIS PRINTING)		
A11VR131	152-0816-00			SEMICONV DEVICE:ZEN, SI, 12V, 5%, 0.4W	0000M	152-0816-00
A11VR135	152-0817-00			SEMICONV DEVICE:ZEN, SI, 15V, 5%, 0.4W	0000M	152-0817-00
A11VR138	152-0821-00			SEMICONV DEVICE:ZEN, SI, 6.8V, 5, 0.4W	0000M	152-0821-00
A11VR149	152-0818-00			SEMICONV DEVICE:ZEN, SI, 3.9V, 5%, 0.4W	0000M	152-0818-00

Replaceable Electrical Parts-318/338 Service

Component No.	Tektronix Part No.	Serial/Model No. Eff Dscont	Name & Description	Mfr Code	Mfr. Part Number
A12	670-7820-00		CKT BOARD ASSY:REGULATOR	80009	670-7820-00
A12	-----		(318/338 ONLY)		
A12C003	285-1269-00		CAP., FXD, PLASTIC:0.01UF, 10%, 250V	0000M	285-1269-00
A12C004	290-0999-00		CAP., FXD, ELCTLT:2200UF, 20%, 10V	0000M	290-0999-00
A12C005	290-1000-00		CAP., FXD, ELCTLT:330UF, 20%, 10V	0000M	290-1000-00
A12C006	285-1267-00		CAP., FXD, MTLZD:1UF, 10%, 100V	0000M	285-1267-00
A12C007	285-1267-00		CAP., FXD, MTLZD:1UF, 10%, 100V	0000M	285-1267-00
A12C009	285-1274-00		CAP., FXD, PLASTIC:0.01 UF, 10%, 50V	0000M	285-1274-00
A12C012	283-0497-00		CAP., FXD, CER DI:0.047UF, 20%, 25V	0000M	283-0497-00
A12C017	285-1274-00		CAP., FXD, PLASTIC:0.01UF, 10%, 50V	0000M	285-1274-00
A12C022	285-1267-00		CAP., FXD, MTLZD:1UF, 10%, 100V	0000M	285-1267-00
A12C028	285-1271-00		CAP., FXD, PLASTIC:0.001UF, 1%, 100V	0000M	285-1271-00
A12C029	283-0497-00		CAP., FXD, CER DI:0.047UF, 20%, 25V	0000M	283-0497-00
A12C036	290-1001-00		CAP., FXD, ELCTLT:100UF, 20%, 35V	0000M	290-1001-00
A12C050	283-0497-00		CAP., FXD, CER DI:0.047UF, 20%, 25V	0000M	283-0497-00
A12C051	283-0497-00		CAP., FXD, CER DI:0.047UF, 20%, 25V	0000M	283-0497-00
A12C053	290-1002-00		CAP., FXD, ELCTLT:330UF, 20%, 16V	0000M	290-1002-00
A12C058	290-1003-00		CAP., FXD, ELCTLT:33UF, 20%, 35V	0000M	290-1003-00
A12C065	290-1004-00		CAP., FXD, ELCTLT:330UF, 20%, 25V	0000M	290-1004-00
A12C066	290-1005-00		CAP., FXD, ELCTLT:100UF, 20%, 25V	0000M	290-1005-00
A12C067	283-0498-00		CAP., FXD, CER DI:100PF, 5%, 50V	0000M	283-0498-00
A12C069	283-0497-00		CAP., FXD, CER DI:0.047UF, 20%, 25V	0000M	283-0497-00
A12C070	285-1275-00		CAP., FXD, PLASTIC:0.015UF, 10%, 50V	0000M	285-1275-00
A12C071	283-0497-00		CAP., FXD, CER DI:0.047UF, 20%, 25V	0000M	283-0497-00
A12C072	285-1276-00		CAP., FXD, PLASTIC:0.0015UF, 10%, 50V	0000M	285-1276-00
A12C073	283-0497-00		CAP., FXD, CER DI:0.047UF, 20%, 25V	0000M	283-0497-00
A12C074	290-1000-00		CAP., FXD, ELCTLT:330UF, 20%, 10V	0000M	290-1000-00
A12C075	290-1000-00		CAP., FXD, ELCTLT:330UF, 20%, 10V	0000M	290-1000-00
A12C076	285-1267-00		CAP., FXD, MTLZD: 1 UF, 10%, 100V	0000M	285-1267-00
A12C077	285-1267-00		CAP., FXD, MTLZD: 1 UF, 10%, 100V	0000M	285-1267-00
A12C078	283-0499-00		CAP., FXD, CER DI:220PF, 10%, 1KV	0000M	283-0499-00
A12C081	283-0499-00		CAP., FXD, CER DI:220PF, 10%, 1KV	0000M	283-0499-00
A12C082	290-0999-00		CAP., FXD, ELCTLT:2200UF, 20%, 10V	0000M	290-0999-00
A12C083	290-0999-00		CAP., FXD, ELCTLT:2200UF, 20%, 10V	0000M	290-0999-00
A12C084	290-0999-00		CAP., FXD, ELCTLT:2200UF, 20%, 10V	0000M	290-0999-00
A12C085	290-0999-00		CAP., FXD, ELCTLT:2200UF, 20%, 10V	0000M	290-0999-00
A12C086	290-0999-00		CAP., FXD, ELCTLT:2200UF, 20%, 10V	0000M	290-0999-00
A12C087	285-1267-00		CAP., FXD, MTLZD:1 UF, 10%, 100V	0000M	285-1267-00
A12C088	285-1267-00		CAP., FXD, MTLZD:1 UF, 10%, 100V	0000M	285-1267-00
A12C089	285-1267-00		CAP., FXD, MTLZD:1 UF, 10%, 100V	0000M	285-1267-00
A12C090	285-1267-00		CAP., FXD, MTLZD:1 UF, 10%, 100V	0000M	285-1267-00
A12C091	290-1005-00		CAP., FXD, ELCTLT:100UF, 20%, 25V	0000M	290-1005-00
A12C092	290-1005-00		CAP., FXD, ELCTLT:100UF, 20%, 25V	0000M	290-1005-00
A12C093	290-1005-00		CAP., FXD, ELCTLT:100UF, 20%, 25V	0000M	290-1005-00
A12C094	290-1005-00		CAP., FXD, ELCTLT:100UF, 20%, 25V	0000M	290-1005-00
A12C095	285-1267-00		CAP., FXD, MTLZD:1 UF, 10%, 100V	0000M	285-1267-00
A12C096	285-1267-00		CAP., FXD, MTLZD:1 UF, 10%, 100V	0000M	285-1267-00
A12C097	285-1267-00		CAP., FXD, MTLZD:1 UF, 10%, 100V	0000M	285-1267-00
A12C098	285-1267-00		CAP., FXD, MTLZD:1 UF, 10%, 100V	0000M	285-1267-00
A12C099	285-1267-00		CAP., FXD, MTLZD:1 UF, 10%, 100V	0000M	285-1267-00
A12CR001	152-0066-04		SEMICONV DEVICE:RECT, SI, 400V, 1A	0000M	152-0066-04
A12CR002	152-0815-00		SEMICONV DEVICE:SCHOTTKY, SI, 40V, 16A	0000M	152-0815-00
A12CR005	152-0333-03		SEMICONV DEVICE:SILICON, 50V, 200MA	0000M	152-0333-03
A12CR006	152-0333-03		SEMICONV DEVICE:SILICON, 50V, 200MA	0000M	152-0333-03

Replaceable Electrical Parts-318/338 Service

Component No.	Tektronix Part No.	Serial/Model No. Eff Dscont	Name & Description	Mfr. Code	Mfr. Part Number
A12CR007	152-0333-03		SEMICONV DEVICE:SILICON, 50V, 200MA	0000M	152-0333-03
A12CR034	152-0333-03		SEMICONV DEVICE:SILICON, 50V, 200MA	0000M	152-0333-03
A12CR035	152-0333-03		SEMICONV DEVICE:SILICON, 50V, 200MA	0000M	152-0333-03
A12CR036	152-0333-03		SEMICONV DEVICE:SILICON, 50V, 200MA	0000M	152-0333-03
A12CR044	152-0333-03		SEMICONV DEVICE:SILICON, 50V, 200MA	0000M	152-0333-03
A12CR045	152-0333-03		SEMICONV DEVICE:SILICON, 50V, 200MA	0000M	152-0333-03
A12CR046	152-0333-03		SEMICONV DEVICE:SILICON, 50V, 200MA	0000M	152-0333-03
A12CR049	152-0333-03		SEMICONV DEVICE:SILICON, 50V, 200MA	0000M	152-0333-03
A12CR053	152-0333-03		SEMICONV DEVICE:SILICON, 50V, 200MA	0000M	152-0333-03
A12CR054	152-0333-03		SEMICONV DEVICE:SILICON, 50V, 200MA	0000M	152-0333-03
A12CR061	152-0333-03		SEMICONV DEVICE:SILICON, 50V, 200MA	0000M	152-0333-03
A12CR062	152-0333-03		SEMICONV DEVICE:SILICON, 50V, 200MA	0000M	152-0333-03
A12CR063	152-0333-03		SEMICONV DEVICE:SILICON, 50V,200MA	0000M	152-0333-03
A12CR064	152-0333-03		SEMICONV DEVICE:SILICON, 50V, 200MA	0000M	152-0333-03
A12CR065	152-0333-03		SEMICONV DEVICE:SILICON, 50V, 200MA	0000M	152-0333-03
A12CR066	152-0333-03		SEMICONV DEVICE:SILICON, 50V, 200MA	0000M	152-0333-03
A12CR071	152-0333-03		SEMICONV DEVICE:SILICON, 50V, 200MA	0000M	152-0333-03
A12CR072	152-0333-03		SEMICONV DEVICE:SILICON, 50V, 200MA	0000M	152-0333-03
A12CR073	152-0333-03		SEMICONV DEVICE:SILICON, 50V, 200MA	0000M	152-0333-03
A12CR074	152-0333-03		SEMICONV DEVICE:SILICON, 50V, 200MA	0000M	152-0333-03
A12CR075	152-0333-03		SEMICONV DEVICE:SILICON, 50V, 200MA	0000M	152-0333-03
A12CR076	152-0333-03		SEMICONV DEVICE:SILICON, 50V, 200MA	0000M	152-0333-03
A12CR091	152-0586-02		SEMICONV DEVICE:RECT.SI, 600V, 0.5A	0000M	152-0586-02
A12CR092	152-0586-02		SEMICONV DEVICE:RECT, SI, 600V, 0.5A	0000M	152-0586-02
A12FL001	119-0420-03		FILTER, RFI:3A, 250VAC, 400HZ	0000M	119-0420-03
A12J001	131-2984-00		CONN, RCPT, ELEC:CONTACT, 15 MALE	0000M	131-2984-00
A12J002	131-2988-00		CONN, RCPT, ELEC:2, MALE, CONTACT	0000M	131-2988-00
A12J003	131-2988-00		CONN, RCPT, ELEC:2, MALE, CONTACT	0000M	131-2988-00
A12J006	131-2989-00		CONN, RCPT, ELEC:2, MALE, CONTACT	0000M	131-2989-00
A12J007	131-2983-00		CONN, RCPT, ELEC:CONTACT, 8 MALE	0000M	131-2983-00
A12J009	131-2983-00		CONN, RCPT, ELEC:CONTACT, 8 MALE	0000M	131-2983-00
A12L001	108-1181-00		COIL, RF:FIXED.330UH	0000M	108-1181-00
A12L002	108-1182-00		COIL, RF:FIXED, 6UH	0000M	108-1182-00
A12L071	108-1182-00		COIL, RF:FIXED, 6UH	0000M	108-1182-00
A12L082	108-1182-00		COIL, RF:FIXED, 6UH	0000M	108-1182-00
A12L083	108-1183-00		COIL, RF:FIXED, 3.3UH	0000M	108-1183-00
A12Q001	151-0738-00		TRANSISTOR:SILICON, NPN	0000M	151-0738-00
A12Q005	151-0765-00		TRANSISTOR:SILICON, NPN	0000M	151-0765-00
A12Q032	151-0764-00		TRANSISTOR:SILICON, NPN	0000M	151-0764-00
A12Q033	151-0764-00		TRANSISTOR:SILICON, NPN	0000M	151-0764-00
A12Q034	151-0765-00		TRANSISTOR:SILICON, NPN	0000M	151-0765-00
A12Q035	151-0764-00		TRANSISTOR:SILICON, NPN	0000M	151-0764-00
A12Q036	151-0768-00		TRANSISTOR:SILICON, NPN	0000M	151-0768-00
A12Q057	151-0764-00		TRANSISTOR:SILICON, NPN	0000M	151-0764-00
A12Q058	151-0764-00		TRANSISTOR:SILICON, NPN	0000M	151-0764-00
A12Q059	151-0764-00		TRANSISTOR:SILICON, NPN	0000M	151-0764-00
A12Q065	151-0635-00		TRANSISTOR:SILICON, PNP	0000M	151-0635-00
A12Q071	151-0764-00		TRANSISTOR:SILICON, NPN	0000M	151-0764-00
A12Q072	151-0765-00		TRANSISTOR:SILICON, NPN	0000M	151-0765-00
A12Q073	151-0735-00		TRANSISTOR:SILICON, NPN	0000M	151-0735-00
A12R001	301-0220-00		RES., FXD, CMPSN:22 OHM, 5%, 0.5W	57668	TR50J-E22E
A12R002	307-0053-00		RES., FXD, CMPSN:3.3 OHM, 5%, 0.50W	01121	EB33G5
A12R003	301-0100-00		RES., FXD, CMPSN:10 OHM, 5%, 0.50W	01121	EB1005
A12R004	308-0849-00		RES., FXD, WW:30M OHM, 10%, 2W	0000M	308-0849-00

Replaceable Electrical Parts-318/338 Service

Component No.	Tektronix Part No.	Serial/Model No. Eff	Dscont	Name & Description	Mfr. Code	Mfr. Part Number
A12R005	315-0122-00			RES., FXD, CMPSN:1.2K OHM, 5%, 0.25W	57668	NTR25J-E01K2
A12R006	315-0102-00			RES., FXD, CMPSN:1K OHM, 5%, 0.25W	57668	NTR25JE01K0
A12R007	321-0097-00			RES., FXD, FILM:100 OHM, 1%, 0.125W	91637	MFF1816G100R0F
A12R008	315-0820-00			RES., FXD, CMPSN:82 OHM, 5%, 0.25W	57668	NTR25J-E82E0
A12R009	315-0222-00			RES., FXD, CMPSN:2.2K OHM, 5%, 0.25W	57668	NTR25J-E02K2
A12R010	315-0122-00			RES., FXD, CMPSN:1.2K OHM, 5%, 0.25W	57668	NTR25J-E01K2
A12R011	311-1611-00			RES., VAR, NONWWW:TRMR, 2K OHM, 20%, 0.5W	0000M	311-1611-00
A12R012	315-0473-00			RES., FXD, CMPSN:47K OHM, 5%, 0.25W	57668	NTR25J-E47K0
A12R013	315-0222-00			RES., FXD, CMPSN:2.2K OHM, 5%, 0.25W	57668	NTR25J-E02K2
A12R014	315-0104-00			RES., FXD, CMPSN:100K OHM, 5%, 0.25W	57668	NTR25J-E100K
A12R015	322-0472-01			RES., FXD, FILM:4.7K OHM, 1%, 0.25W	0000M	322-0472-01
A12R016	315-0222-00			RES., FXD, CMPSN:2.2K OHM, 5%, 0.25W	57668	NTR25J-E02K2
A12R017	315-0562-00			RES., FXD, CMPSN:5.6K OHM, 5%, 0.25W	57668	NTR25J-E05K6
A12R018	311-1611-00			RES., VAR, NONWWW:TRMR, 2K OHM, 20%, 0.5W	0000M	311-1611-00
A12R019	315-0473-00			RES., FXD, CMPSN:47K OHM, 5%, 0.25W	57668	NTR25J-E47K0
A12R020	315-0222-00			RES., FXD, CMPSN:2.2K OHM, 5%, 0.25W	57668	NTR25J-E02K2
A12R021	315-0222-00			RES., FXD, CMPSN:2.2K OHM, 5%, 0.25W	57668	NTR25J-E02K2
A12R022	322-1615-00			RES., FXD, FILM:22K OHM, 10%, 0.25W	0000M	322-1615-00
A12R023	315-0222-00			RES., FXD, CMPSN:2.2K OHM, 5%, 0.25W	57668	NTR25J-E02K2
A12R024	315-0104-00			RES., FXD, CMPSN:100K OHM, 5%, 0.25W	57668	NTR25J-E100K
A12R025	322-0472-01			RES., FXD, FILM:4.7K OHM, 1%, 0.25W	0000M	322-0472-01
A12R026	315-0470-00			RES., FXD, CMPSN:47 OHM, 5%, 0.25W	57668	NTR25J-E47E0
A12R027	322-1614-00			RES., FXD, FILM:1K OHM, 10%, 0.25W	0000M	322-1614-00
A12R028	322-1615-00			RES., FXD, FILM:22K OHM, 10%, 0.25W	0000M	322-1615-00
A12R029	322-0289-01			RES., FXD, FILM:10K OHM, 1%, 0.25W	0000M	322-0289-01
A12R030	315-0472-00			RES., FXD, CMPSN:4.7K OHM, 5%, 0.25W	57668	NTR25J-E04K7
A12R031	315-0472-00			RES., FXD, CMPSN:4.7K OHM, 5%, 0.25W	57668	NTR25J-E04K7
A12R032	315-0272-00			RES., FXD, CMPSN:2.7K OHM, 5%, 0.25W	57668	NTR25J-E02K7
A12R033	315-0102-00			RES., FXD, CMPSN:1K OHM, 5%, 0.25W	57668	NTR25JE01K0
A12R034	315-0681-00			RES., FXD, CMPSN:680 OHM, 5%, 0.25W	57668	NTR25J-E680E
A12R035	315-0102-00			RES., FXD, CMPSN:1K OHM, 5%, 0.25W	57668	NTR25JE01K0
A12R036	315-0471-00			RES., FXD, CMPSN:470 OHM, 5%, 0.25W	57668	NTR25J-E470E
A12R037	307-0915-00			RES NTWK, FXD, FI:4, 3.3K OHM, 5%, 0.125W	0000M	307-0915-00
A12R038	307-0915-00			RES NTWK, FXD, FI:4, 3.3K OHM, 5%, 0.125W	0000M	307-0915-00
A12R039	307-0915-00			RES NTWK, FXD, FI:4, 3.3K OHM, 5%, 0.125W	0000M	307-0915-00
A12R040	322-0293-01			RES., FXD, FILM: 11K OHM, 1%, 0.25W	0000M	322-0293-01
A12R041	322-1613-00			RES., FXD, FILM:9.1K OHM, 1%, 0.25W	0000M	322-1613-00
A12R042	322-1615-00			RES., FXD, FILM:22K OHM, 1%, 0.25W	0000M	322-1615-00
A12R043	322-1612-00			RES., FXD, FILM:24K OHM, 1%, 0.25W	0000M	322-1612-00
A12R044	315-0103-00			RES., FXD, CMPSN:10K OHM, 5%, 0.25W	57668	NTR25J-100K0
A12R045	322-1611-00			RES., FXD, FILM:13K OHM, 1%, 0.25W	0000M	322-1611-00
A12R046	322-0289-01			RES., FXD, FILM:10K OHM, 1%, 0.25W	0000M	322-0289-01
A12R047	322-0289-01			RES., FXD, FILM:10K OHM, 1%, 0.25W	0000M	322-0289-01
A12R048	322-0289-01			RES., FXD, FILM:10K OHM, 1%, 0.25W	0000M	322-0289-01
A12R049	322-1611-00			RES., FXD, FILM:13K OHM, 1%, 0.25W	0000M	322-1611-00
A12R050	315-0102-00			RES., FXD, CMPSN:1K OHM, 5%, 0.25W	57668	NTR25JE001K0
A12R051	322-1610-00			RES., FXD, FILM:2.2K OHM, 1%, 0.25W	0000M	322-1610-00
A12R052	322-1610-00			RES., FXD, FILM:2.2K OHM, 1%, 0.25W	0000M	322-1610-00
A12R053	315-0331-00			RES., FXD, CMPSN:330 OHM, 5%, 0.25W	57668	NTR25J-E330E
A12R054	315-0393-00			RES., FXD, CMPSN:39K OHM, 5%, 0.25W	57668	NTR25J-E39K0
A12R055	315-0472-00			RES., FXD, CMPSN:4.7K OHM, 5%, 0.25W	57668	NTR25J-E04K7
A12R056	315-0472-00			RES., FXD, CMPSN:4.7K OHM, 5%, 0.25W	57668	NTR25J-E04K7
A12R057	315-0682-00			RES., FXD, CMPSN:6.8K OHM, 5%, 0.25W	57668	NTR25J-E06K8
A12R058	315-0273-00			RES., FXD, CMPSN:27K OHM, 5%, 0.25W	57668	NTR25J-E27K0

Replaceable Electrical Parts-318/338 Service

Component No.	Tektronix Part No.	Serial/Model No. Eff Dscont	Name & Description	Mfr. Code	Mfr. Part Number
A12R059	315-0683-00		RES., FXD, CMPSN:68K OHM, 5%, 0.25W	57668	NTR25J-E68K0
A12R060	315-0183-00		RES., FXD, CMPSN:18K OHM, 56%, 0.25W	01121	CB1835
A12R061	315-0103-00		RES., FXD, CMPSN:10K OHM, 5%, .25W	57668	NTR25J-E10K0
A12R062	307-0916-00		RES NTWK, FXD, FI:4, 4.7K OHM, 5%, 0.125W	0000M	307-0916-00
A12R063	301-0221-00		RES., FXD, CMPSN:220 OHM, 5%, 0.5W	57668	TR50J-E220E
A12R064	315-0102-00		RES., FXD, CMPSN:1K OHM, 5%, 0.25W	57668	NTR25JE01K0
A12R065	315-0102-00		RES., FXD, CMPSN:1K OHM, 5%, 0.25W	57668	NTR25JE01K0
A12R066	322-1608-00		RES., FXD, FILM:680 OHM, 1%, 0.25W	0000M	32-1608-00
A12R067	321-0114-00		RES., FXD, FILM:150 OHM, 1, 0.125W	91637	MFF1816G150R0F
A12R068	322-1609-00		RES., FXD, FILM:4.3K OHM, 1%, 0.25W	0000M	322-1609-00
A12R069	315-0471-00		RES., FXD, CMPSN:470 OHM, 5%, 0.25W	57668	NTR25J-E470E
A12R070	315-0102-00		RES., FXD, CMPSN:1K OHM, 5%, 0.25W	57668	NTR25JEO01K0
A12R071	315-0822-00		RES., FXD, CMPSN:8.2K OHM, 5%, 0.25W	01121	CB8225
A12R072	311-1611-00		RES., VAR, NONWW:TRMR, 2K OHM, 20%, 0.5W	0000M	311-1611-00
A12R073	315-0122-00		RES., FXD, CMPSN:1.2K OHM, 5%, 0.25W	57668	NTR25J-E01K2
A12R074	315-0472-00		RES., FXD, CMPSN:4.7K OHM, 5%, 0.25W	57668	NTR25J-E04K7
A12R075	315-0222-00		RES., FXD, CMPSN:2.2K OHM, 5%, 0.25W	57668	NTR25J-E02K2
A12R076	315-0103-00		RES., FXD, CMPSN:10K OHM, 5%, 0.25W	57668	NTR25J-E100K0
A12R077	315-0100-00		RES., FXD, CMPSN:10 OHM, 5%, 0.25W	57668	NTR25J-E10E0
A12R078	315-0472-00		RES., FXD, CMPSN:4.7K OHM, 5%, 0.25W	57658	NTR25J-E04K7
A12R079	315-0820-00		RES., FXD, CMPSN:82 OHM, 5%, 0.25W	57668	NTR25J-E82E0
A12R080	325-0392-00		RES., FXD, FILM:0.56 OHM, 5c., 1W	0000M	325-0392-00
A12R081	325-0392-00		RES., FXD, FILM:0.56 OHM, 5c., 1W	0000M	325-0392-00
A12R082	315-0680-00		RES., FXD, CMPSN:68 OHM, 5%, 0.25W	57668	NTR25J-E68E0
A12R083	315-0222-00		RES., FXD, CMPSN:2.2K OHM, 5%, 0.25W	57668	NTR25J-E02K2
A12R084	315-0102-00		RES., FXD, CMPSN:1K OHM, 5%, 0.25W	57668	NTR25JE01K0
A12R085	308-0848-00		RES., FXD, WW:7M OHM, 10%	0000M	308-0848-00
A12R086	308-0848-00		RES., FXD, WW:7M OHM, 10%	0000M	308-0848-00
A12R087	315-0470-00		RES., FXD, CMPSN:47 OHM, 5%, 0.25W	57668	NTR25J-E47E0
A12R088	315-0121-00		RES., FXD, CMPSN:120 OHM, 5%, 0.25W	01121	CB1215
A12R091	307-0659-00		RES., FXD, FILM:2.2 OHM, 5%, 0.25W	19701	5043CX2R200J
A12R092	307-0659-00		RES., FXD, FILM:2.2 OHM, 5%, 0.25W	19701	5043CX2R200J
A12R093	315-0222-00		RES., FXD, CMPSN:2.2K OHM, 5%, 0.25W	57668	NTR25J-E02K2
A12R094	315-0222-00		RES., FXD, CMPSN:2.2K OHM, 5%, 0.25W	57668	NTR25J-E02K2
A12RT065	307-0918-00		RES THERMAL:2.5K OHM, 10%, 5V	0000M	307-0918-00
A12S001	260-1849-00		SWITCH, PUSH:DPDT, 4A, 250VAC	31918	NE15/F2U1003EE
A12T001	120-1498-00		TRANSFORMER, RF:BASE DRIVER	0000M	120-1498-00
A12T081	120-1499-00		TRANSFORMER, RF:REGULATOR	0000M	120-1499-00
A12TP001	131-3066-00		TERMINAL, PIN:12.6MM L X 0.64MM SQ	0000M	131-3066-00
A12TP002	131-3066-00		TERMINAL, PIN:12.6MM L X 0.64MM SO	0000M	131-3066-00
A12TP003	131-3066-00		TERMINAL, PIN:12.6MM L X 0.64MM SO	0000M	131-3066-00
A12U001	156-1848-00		MICROCIRCUIT, LI:PWR SUPPLY, SW RGLTR CONT	0000M	156-1848-00
A12U021	156-1848-00		MICROCIRCUIT, LI:PWR SUPPLY, SW RGLTR CONT	0000M	156-1848-00
A12U041	156-1631-00		MICROCIRCUIT, LI:ADJ SHUNT REGULATOR	01295	TL431C-LP
A12U042	156-1631-00		MICROCIRCUIT, LI:ADJ SHUNT REGULATOR	01295	TL431C-LP
A12U051	156-1847-00		MICROCIRCUIT, LI:OUAD OPERATIONAL AMP	0000M	156-1847-00
A12U052	156-1631-00		MICROCIRCUIT, LI:ADJ SHUNT REGULATOR	01295	TL431C-LP
A12U065	156-1846-00		MICROCIRCUIT, LI:VOLTAGE REGULATOR	0000M	156-1846-00
A12U071	156-1846-00		MICROCIRCUIT, LI:VOLTAGE REGULATOR	0000M	156-1846-00
A12U091	156-1160-02		MICROCIRCUIT, LI:VOLTAGE REGULATOR	0000M	156-1160-02
A12U092	156-1160-02		MICROCIRCUIT, LI:VOLTAGE REGULATOR	0000M	156-1160-02
A12VR032	152-0127-02		SEMICONV DEVICE:ZEN, SI, 7.5V, 5%, 0.4W	0000M	152-0127-02
A12VR036	152-0055-02		SEMICONV DEVICE:ZEN, SI, 11V, 5%, 0.4W	0000M	152-0055-02
A12VR037	152-0724-01		SEMICONV DEVICE:ZEN, SI, 4.7V, 5%, 0.4W	0000M	152-0724-01

Replaceable Electrical Parts-318/338 Service

Component No.	Tektronix	Serial/Model No.		Name & Description	Mfr.	Mfr. Part Number
	Part No.	Eff	Dscont		Code	
A12VR038	152-0819-00			SEMICONV DEVICE:ZEN, SI, 2.7V, 5%, 0.4W	0000M	152-0819-00
A12VR039	152-0816-00			SEMICONV DEVICE:ZEN, SI, 12V, 5%, 0.4W	0000M	152-0816-00
A12VR040	152-0217-01			SEMICONV DEVICE:ZEN, SI, 8.2V, 5%, 0.4W	0000M	152-0217-01
A12VR041	152-0821-00			SEMICONV DEVICE:ZEN, SI, 6.8V, 5%, 0.4W	0000M	152-0821-00
A12VR042	152-0724-01			SEMICONV DEVICE:ZEN, SI, 4.7V, 5%, 0.4W	0000M	152-0724-01
A12VR043	152-0820-00			SEMICONV DEVICE:ZEN, SI, 13V, 5%, 0.4W	0000M	152-0820-00
A12VR044	152-0175-02			SEMICONV DEVICE:ZEN, SI, 15.6V, 5%, 0.4W	0000M	152-0175-02
A12VR045	152-0822-00			SEMICONV DEVICE:ZEN, SI, 18V, 5%, 0.4W	0000M	152-0822-00
A12VR046	152-0306-02			SEMICONV DEVICE:ZEN, SI, 9.1V, 5%, 0.4W	0000M	152-0306-02
A12VR058	152-0823-00			SEMICONV DEVICE:ZEN, SI, 6.2V, 5%, 0.4W	0000M	152-0823-00
A12VR068	152-0127-02			SEMICONV DEVICE:ZEN, SI, 7.V, 5%.0.4W	0000M	152-0127-02

Replaceable Electrical Parts-318/338 Service

Component No.	Tektronix Part No.	Serial/Model No.		Name & Description	Mfr. Code	Mfr. Part Number
		Eff	Dscont			
B001	119-1648-01			CHASSIS PARTS		
F1	159-0032-00			FAN, TUBEAXIAL:1 2VDC, 3-8W, 53300RPM	0000M	119-1648-01
				FUSE, CARTRIDGE:3AG, 0.5A, 250V, SLOW-BLOW	71400	MDL 1/2
F001	159-0015-02			FUSE, CARTRIDGE:3AG, 3A, 250V, FAST	0000M	159-0015-02
FL1	119-0420-03	300101	.300598	FILTER, RFI:3A, 250VAC, 400HZ	0000M	119-0420-03
FL1	-----			(318 ONLY)		
FL1	119-1536-00	300599		FILTER, RFI:3A, 250VAC, 50/60 HZ	54583	ZUB2203-000
FL1	-----			(318 ONLY)		
FL1	119-0420-03	300101	.300490	FILTER, RFI:3A, 250VAC, 400HZ	0000M	119-0420-03
FL1	-----			(338 ONLY)		
FL1	119-1536-00	300491		FILTER, RFI:3A, 250VAC, 50/60 HZ	54583	ZUB2203-000
FL1	-----			(338 ONLY)		
L150	119-1059-00			COIL, TUBE DEFL:FIXED, DEFLECTION YOKE	0000M	119-1059-00
S2	260-1967-00			SWITCH, SLIDE:DPDT, 5A/250V	000FJ	4021.0512
V200	154-0867-00			ELECTRON TUBE:CRT	0000M	154-0867-00
WI002	175-8470-00			STRD, 18 AWG, 600V, BLACK, UL10	0000M	175-8470-00

8-47/(8-48 blank)

DIAGRAMS AND CIRCUIT BOARD ILLUSTRATIONS

Symbols

Graphic symbols and class designation letters are based on ANSI Standard Y32.2-1975.

Logic symbology is based on ANSI Y32.14-1973 in terms of positive logic. Logic symbols depict the logic function performed and may differ from the manufacturer's data.

Active low signals are indicated by an (L) following the signal name or by a horizontal line above the signal name (e.g., \overline{TRQ}). Signal names without indicators are considered active-high. Some active-high signals are indicated by an (H) following the signal name.

Abbreviations are based on ANSI Y1.1-1972.

Other ANSI standards that are used in the preparation of diagrams by Tektronix, Inc. are:

Y14.15, 1966 Drafting Practices.

Y14.2, 1973 Line Conventions and Lettering.

Y10.5, 1968 Letter Symbols for Quantities Used in Electrical Science and Electrical Engineering.

American National Standard Institute
1430 Broadway
New York, New York 10018

Component Values

Electrical components shown on the diagrams are in the following units unless noted otherwise:

Capacitors = Values one or greater are in picofarads (pF). Values less than one are in microfarads (μF).

Resistors = Ohms (Ω).

_____The information and special symbols below may appear in this manual. _____

Assembly Numbers and Grid Coordinates

Each assembly in the instrument is assigned an assembly number (e.g., A20). The assembly number appears on the circuit board outline on the diagram, in the title for the circuit board component location illustration, and in the lookup table for the schematic diagram and corresponding component locator illustration. The Replaceable Parts list is arranged by assemblies in numerical sequence; the components are listed by component number *(see following illustration for constructing a component number).

The schematic diagram and circuit board component location illustration have grids. A lookup table with the grid coordinates is provided for ease of locating the component. Only the components illustrated on the facing diagram are listed in the lookup table. When more than one schematic diagram is used to illustrate the circuitry on a circuit board, the circuit board illustration may only appear opposite the first diagram on which it was illustrated; the lookup table will list the diagram number of other diagrams that the circuitry of the circuit board appears on.

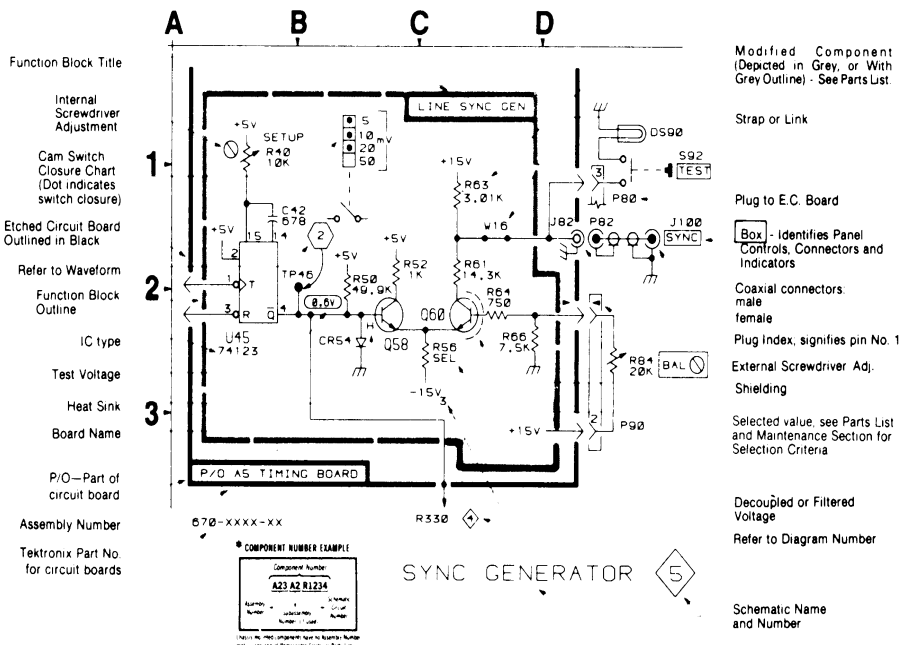


Table 9-1
IC PIN INFORMATION

Device Type	VCC or VDD	GND	Device Type	VCC or VDD	GND
10016	1, 16	8	74LS20	14	7
10101	1, 16	8	74LS74	14	7
10102	1, 16	8	74LS86	14	7
10109	1, 16	8	74LS92	5	10
10115	1, 16	8	74LS125	14	7
10116	1, 16	8	74LS138	16	8
10124	16	8	74LS139	16	8
10125	16	8	74LS164	14	7
10131	1, 16	8	74LS174	16	8
10133	1, 16	8	74LS240	20	10
10158	16	8	74LS244	20	10
10161	1, 16	8	74LS245	20	10
10162	1, 16	8	74LS273	20	10
10173	16	8	74LS390	16	8
10176	1, 16	8	74LS393	14	7
10197	1, 16	8	AD7524	14	3
10211	1, 15, 16	8	HD44007A	24	12
10231	1, 16	8	HM10422	1, 24	12
10422	1, 24	12	HM6116P	24	12
1488	1, 14	7	HN613128P	28	14
1489	14	7	LF356	7	-
2332	24	12	LSI-A	69, 71, 75 77(-3.3V)	70, 73 76, 79
2764	28	14	LSI-B	69, 71, 75 77(-3.3V)	70, 73 76, 79
40H000	14	7	M218	13	4
40H020	14	7	MB62110	47	40, 54
40H174	16	8	MBM10422	1, 24	12
40H244	20	10	MC1662	1, 16	8
40H273	20	10	SIO	9	31
4052	16	6, 8	SP9687	11	3, 4
4069	14	7	uPC311	8	1
4093	14	7	uPC319C	1	-
4532	16	8	uPC339C	3	-
4702	16	8	uPC393C	8	-
74LS00	14	7	uPD339C	3	-
74LS02	14	7	uPD446	24	12
74LS04	14	7	Z80A	11	29
7405(S)	14	7			
74LS11	14	7			

**REPLACEABLE
MECHANICAL PARTS**

PARTS ORDERING INFORMATION

Replacement parts are available from or through your local Tektronix Inc. Field Office or representative

Changes to Tektronix Instruments are sometimes made to accommodate improved components as they become available and to give you the benefit of the latest circuit improvements developed in our engineering department It is therefore important when ordering parts, to include the following information in your order Part number instrument type or number serial number, and modification number if applicable

If a part you have ordered has been replaced with a new or improved part, your local Tektronix, Inc. Field Office or representative will contact you concerning any change in part number

Change information if any is located at the rear of this manual

ITEM NAME

In the Parts List an Item Name is separated from the description by a colon (:). Because of space limitations, an Item Name may sometimes appear as incomplete For further Item Name Identification the U S Federal Cataloging Handbook H6-1 can be utilized where possible

FIGURE AND INDEX NUMBERS

Items in this section are referenced by figure and index numbers to the illustrations

INDENTATION SYSTEM

This mechanical parts list is indented to indicate item relationships Following is an example of the indentation system used in the description column

```

1 2 3 4 5      Name & Description
Assembly and or Component
Attaching parts for Assembly and or Component
    ---*---
Detail Part of Assembly and or Component
Attaching parts for Detail Part
    ---*---
Parts of Detail Part
Attaching parts for Parts of Detail Part
    ---*---
    
```

Attaching Parts always appear in the same indentation as the item it mounts. while the detail parts are indented to the right indented Items are part of, and included with, the next higher indentation The separation symbol - - * - - indicates the end of attaching parts

Attaching parts must be purchased separately, unless otherwise specified.

ABBREVIATIONS

"	INCH	ELCTRN	ELECTRON	IN	NCH	SE	SINGLE END
#	NUMBER SIZE	ELEC	ELECTRICA:	INCAND	NCANDESCENT	SECT	SECTION
ACTR	ACTUATOR	ELCTLT	ELECTROLYTIC	INSUL	INSULATOR	SEMICOND	
	SEMICONDUCTOR						
ADPTR	ADAPTER	ELEM	ELEMENT	INTL	INTERNAL	SHLD	SHIELD
ALIGN	ALIGNMENT	EPL	ELECTRICAL PARTS LIST		L.PHLDR	LAMPHOLDER	SHLDR
	SHOULDERED						
AL	ALUMINUM,	EQPT	EQUIPMENT	MACH	MACHINE	SKT	SOCKET
ASSEM	ASSEMBLED	EXT	EXTERNAL	MECH	MECHANICAL	SL	SLIDE
ASSY	ASSEMBLY	FIL	FILLISTER HEAD	MTG	MOUNTING	SLFLKG	SELF-LOCKING
ATTEN	ATTENUATOR	FLEX	FLEXIBLE	NIP	NIPPLE	SLVG	SLEEVING
AWG	AMERICAN WIRE GAGE	FLH	FLAT HEAD	NON WIRE	NOT WIRE WOUND	SPR	SPRING
HO	BOARD	FLTR	FILTER	ORD	ORDER BY DESCRIPTION	SO	SQUARE
BRKT	BRACKET	FR	FRAME or, FRONT	OD	OUTSIDE DIAMETER	SST	STAINLESS
	STEEL						
BRS	BRASS	FSTNR	FASTENER	OVH	OVAL HEAD	STL	STEEL
HRZ	BRONZE	FT	FOOT	PH BRZ	PHOSPHOR BRONZE	SW	SWITCH
RSHG	BUSHING	FXD	FIXED	PL	PLAIN or PLATE	T	TUBE
'AB	CABINET	GSKT	GASKET	PLSTC	PLASTIC	TERM	TERMINAL
CAP	CAPACITOR	HDL	HANDLE	PN	PART NUMBER	THD	THREAD
CER	CERAMIC	HEX	HEXAGON	PNH	PAN HEAD	THK	THICK
SHAS	CHASSIS	HEX HD	HEXAGONAL HEAD	PWR	POWER	TNSN	TENSION
CKT	CIRCUIT	HEX SOC	HEXAGONAL SOCKET	RCPT	RECEPTACLE	TPG	TAPPING
COMP	COMPOSITION	HLCPS	HELICAL COMPRESSION	RES	RESISTOR	TRH	TRUSS
HEAD							
CONN	CONNECTOR	HLEXT	HELICAL EXTENSION	ROGD	RIGID	V	VOLTAGE
COV	COVER	HV	HIGH VOLTAGE	RLF	RELIEF	VAR	VARIABLE
CPLG	COUPLING	IC	INTEGRATED CIRCUIT	RTNR	RETAINER	W	WITH
CRT	CATHODE RAY TUBE	ID	INSIDE DIAMETER	SCH	SOCKET HEAD	WSHR	WASHER
DEG	DEGREE	IDENT	IDENTIFICATION	SCOPE	OSCILLOSCOPE	XFMR	TRANSFORMER
DVVR	DRAWER	IMPLR	MPELLER	SCR	SCREW	XSTR	TRANSISTOR

CROSS INDEX-MFR. CODE NUMBER TO MANUFACTURER

Mfr Code	Manufacturer	Address	City, State. Zip
0000M	SONY TEKTRONIX CORPORATION	P O BOX 14, HANEDA AIRPORT	TOKYO 149, JAPAN
000BK	STAUFFER SUPPLY	105 SE TAYLOR	PORTLAND, OR 97214
000JA	J. PHILLIP INDUSTRIES INC.	5713 NORTHWEST HIGHWAY	CHICAGO, ILL 60646
00779	AMP, INC.	P.O. BOX 3608	HARRISBURG, PA 17105
09922	BURNDY CORPORATION	RICHARDS AVENUE	NORWALK, CT 06852
12327	FREEWAY CORPORATION	9301 ALLEN DRIVE	CLEVELAND, OH 44125
13511	AMPHENOL CARDRE DIV., BUNKER RAMO CORP.		LOS GATOS, CA 95030
22526	BERG ELECTRONICS, INC.	YOUK EXPRESSWAY	NEW CUMBERLAND. PA 17070
24931	SPECIALITY CONNECTOR CO., INC.	2620 ENDRESS PLACE	GREENWOOD, IN 46142
70903	BELDEN CORP.	2000 S BATAVIA AVENUE	GENEVA, IL 60134
71279	CAMBRIDGE THERMIONIC CORP.	445 CONCORD AVE.	CAMBRIDGE, MA 02138
73743	FISCHER SPECIAL MFG. CO.	446 MORGAN ST.	CINCINNATI, OH 45206
78189	ILLINOIS TOOL WORKS, INC. SHAKEPROOF DIVISION	ST. CHARLES ROAD	ELGIN, IL 60120
80009	TEKTRONIX, INC.	P O BOX 500	BEAVERTON, OR 97077
83385	CENTRAL SCREW CO.	2530 CRESCENT DR.	BROADVIEW, IL 60153
98159	RUBBER TECK, INC.	19115 HAMILTON AVE., P O BOX 389	GARDENA, CA 90247
S3109	C'O PANEL COMPONENTS CORP.	P.O. BOX 6626	SANTA ROSA, CA 95406
S3629	PANEL COMPONENTS CORP.	2015 SECOND ST.	BERKELEY, CA 94170
T1105	J PHILLIP INDUSTRIES INC	5713 NORTHWEST HIGHWAY	CHICAGO, IL 60646

TM 11-6625-3145-14
Replaceable Mechanical Parts-318/338 Service

Fig. & Index No.	Tektronix Part No.	Serial/Model No.		Qty	1 2 3 4 5	Name & Description	Mfr. Code	Mfr Part Number
		Eff	Dscont					
2-1	333-2999-00 ----- 333-2999-01 ----- 333-2998-00 ----- 333-2998-01 -----	300101	.300260 .300261 .300125 .300126			PANEL, FRONT:318 (318 ONLY) PANEL, FRONT:318 (318 ONLY) PANEL FRONT:338 (338 ONLY) PANEL, FRONT:338 (338 ONLY) ***** (ATTACHING PARTS)*****	0000M 0000M 0000M 0000M	333-2999-00 333-2999-01 333-2998-00 333-2998-01
-2	211-0680-00 ----- 211-0342-00 ----- 211-0680-00 ----- 211-0342-00 ----- 361-1266-00 ----- 198-5297-00 ----- 210-0202-00	.300101	.300510 .300511 .300425 .300426	4 4 4 4		SCREW, MACHINE:2-56 X 0.138 L, TRUSS, STL (318 ONLY) SCREW, CAP:2-56 X 0.177, HEX SOCKET (318 ONLY) SCREW, MACHINE:2-56 X 0.138 L, TRUSS, STL (338 ONLY) SCREW, CAP:2-56 X 0.177, HEX SOCKET (338 ONLY) SPACER, RING:0.7 L X 2.4 ID MM ***** (END ATTACHING PARTS)***** WIRE SET, ELEC:FRONT PANEL, 318 TERMINAL, LUG:0.146 ID, LOCKING, BRZ, TIN PL ***** (ATTACHING PARTS)*****	0000M 0000M 0000M 0000M	211-0680-00 211-0680-00 361-1266-00 198-5297-00 2104-06-00-2520N
-3	211-0503-00			1		SCREW, MACHINE:6-32 X 0.188 INCH, PNH STL ***** (END ATTACHING PARTS)*****	83385	ORD BY DESCR
-4	343-0787-01 ----- 343-0787-03 ----- 343-0787-01 ----- 343-0787-03 ----- 348-0818-00 ----- 348-0818-00 ----- 348-0817-00 ----- 348-0817-00 -----	.300101 .300561 .300101 .300491	300560 300490	1 1 1 1 1 1		RETAINER, CRT: (318 ONLY) RETAINER, CRT:318/1338 (318 ONLY) RETAINER, CRT: (338 ONLY) RETAINER, CRT:3181338 (338 ONLY) CUSHION, RUBBER:RIGHT (318 ONLY) CUSHION, RUBBER:RIGHT (338 ONLY) CUSHION, RUBBER:LEFT (318 ONLY) CUSHION, RUBBER:LEFT (338 ONLY) ***** (ATTACHING PARTS)*****	0000M 0000M 0000M 0000M 0000M 0000M	343-0787-01 343-0787-03 343-0787-01 343-0787-03 348-0818-00 348-0818-00 348-0817-00 348-0817-00
-5	211-0661-00			2		SCREW, MACHINE:4-40 X 0.25 INCH, PNH, STL ***** (END ATTACHING PARTS)*****	78189	ORD BY DESCR
-6	337-2600-00			1		SHIELD, CRT:	0000M	337-2600-00
-7	366-2032-01			1		PUSH BUTTON:IVORY GRAY, 1	0000M	366-2032-01
-8	366-2032-02			1		PUSH BUTTON:IVORY GRAY, 2	0000M	366-2032-02
	366-2032-03			1		PUSH BUTTON:IVORY GRAY, 3	0000M	366-2032-03
	366-2032-04			1		PUSH BUTTON:IVORY GRAY, 4	0000M	366-2032-04
	366-2032-05			1		PUSH BUTTON:IVORY GRAY, 5	0000M	366-2032-05
	366-2032-06			1		PUSH BUTTON:IVORY GRAY, 6	0000M	366-2032-06
	366-2032-07			1		PUSH BUTTON:IVORY GRAY, 7	0000M	366-2032-07
	366-2032-08			1		PUSH BUTTON:IVORY GRAY, 8	0000M	366-2032-08
	366-2032-09			1		PUSH BUTTON:IVORY GRAY, 9	0000M	366-2032-09
	366-2032-10			1		PUSH BUTTON:IVORY GRAY, 0	0000M	366-2032-10
	366-2032-11			1		PUSH BUTTON:IVORY GRAY, A	0000M	366-2032-11
	366-2032-12			1		PUSH BUTTON:IVORY GRAY, B	0000M	366-2032-12
	366-2032-13			1		PUSH BUTTON:IVORY GRAY, C	0000M	366-2032-13
	366-2032-14			1		PUSH BUTTON:IVORY GRAY, D	0000M	366-2032-14
	366-2032-15			1		PUSH BUTTON:IVORY GRAY, E	0000M	366-2032-15
	366-2032-16			1		PUSH BUTTON:IVORY GRAY, F	0000M	366-2032-16
	366-2032-17			1		PUSH BUTTON:IVORY GRAY, X	0000M	366-2032-17
	366-2029-00			6		PUSH BUTTON:DOVE GRAY, 0.45 X 0.275	0000M	366-2029-00
	366-2029-20			4		PUSH BUTTON:GRAY, UP ARROW	0000M	366-2029-20
	366-2029-21			2		PUSH BUTTON:GRAY, RIGHT ARROW	0000M	366-2029-21
	366-2031-00			2		PUSH BUTTON:SLATE GRAY, 0.45 X 0.275	0000M	366-2031-00

Replaceable Mechanical Parts-318/338 Service

Fig. & Index No.	Tektronix Part No.	Serial/Model No. Eff	Dscont	Qty	1 2 3 4 5	Name & Description	Mfr. Code	Mfr Part Number
2-9	-----			1		CKT BOARD ASSY:KEY(SEE A09 REPL) ***** (ATTACHING PARTS) *****		
-10	211-0012-00			5		SCREW, MACHINE:4-40 X 0.375, PNH STL CD PL	83385	ORD BY DESCR
-11	210-0054-00			5		WASHER, LOCK:#4 SPLIT, 0.025 THK STL CD P	83385	ORD BY DESCR
-12	211-0661-00			1		SCREW, MACHINE:4-40 X 0.25 INCH, PNH, STL ***** (END ATTACHING PARTS) *****	78189	ORD BY DESCR
	-----			-		.CKT BOARD ASSY INCLUDES:		
-13	-----			1		.SWITCH ASSY:(SEE A09 REPL)		
-14	-----			1		.CONNECTOR:(SEE A09J010 REPL)		
	198-5297-00			1		.WIRE SET, ELEC:FRONT PANEL, 318	0000M	198-5297-00
-15	334-3360-00			1		MARKER, IDENT:MARKED WARNING	0000M	334-3360-00
-16	386-4962-00			1		SUBPANEL, FRONT: ***** (ATTACHING PARTS) *****	0000M	386-4962-00
-17	211-0105-00			2		SCREW, MACHINE:4-40 X 0.188, 100 DEG, FLH ST	83385	ORD BY DESCR
-18	211-0538-00			2		SCREW, MACHINE:6-32 X 0.312"100 DEG, FLH ***** (END ATTACHING PARTS) *****	83385	ORD BY DESCR
-19	337-2599-00			1		SHIELD, CRT: 0000M 337-2599-00 ***** (ATTACHING PARTS) *****		
-20	211-0101-00			1		SCREW, MACHINE.4-40 X 0.25, FLH, 100 DEG, STL	83385	ORD BY DESCR
-21	210-0586-00			1		NUT, PL, ASSEM WA:4-40 X 0.25, STL, CD PL	78189	211-041800-00
-22	211-0538-00			2		SCREW, MACHINE:6-32 X 0.312"100 DEG, FLH ***** (END ATTACHING PARTS) *****	83385	ORD BY DESCR
-23	210-0202-00			1		TERMINAL, LUG:0.146 ID, LOCKING, BRZ, TIN PL ***** (ATTACHING PARTS) *****	78189	2104-06-00-2520N
-24	210-0457-00			1		NUT, PL, ASSEM WA:6-32 X 0.312, STL CD PL ***** (END ATTACHING PARTS) *****	83385	ORD BY DESCR
-25	441-1662-00	.300101	.300280	1		CHAS, LGC ANALY:LEFT 318/338	0000M	441-1662-00
	-----			-		(318 ONLY)		
	441-1662-01	.300281		1		CHAS, LGC ANALY:LEFT 318/338	0000M	441-1662-01
	-----			-		(318 ONLY)		
	441-1662-00	.300101	.300145	1		CHAS, LGC ANALY:LEFT 318/338	0000M	441-1662-00
	-----			-		(338 ONLY)		
	441-1662-01	.300146		1		CHAS, LGC ANALY:LEFT 318/338	0000M	441-1662-01
	-----			-		(338 ONLY)		
						***** (ATTACHING PARTS) *****		
-26	211-0105-00			5		SCREW, MACHINE:4-40 X 0.188, 100 DEG, FLH S ***** (END ATTACHING PARTS) *****	83385	ORD BY DESCR
-27	351-0705-00			1		GUIDE, EXT SHAFT:	0000M	351-0705-00
-28	214-3420-00			1		SPRING, HLCPS:10.0MM OD X 9.5MM L	0000M	214-3420-00
-29	384-1660-00			1		EXTENSION SHAFT:248.9MM L X 12.0MM OD	0000M	384-1660-00
-30	366-1767-01			1		PUSH BUTTON:BLACK, GREEN INDICATOR	0000M	366-1767-01
-31	441-1661-00			1		CHAS, LGC ANALY:RIGHT ***** (ATTACHING PARTS) *****	0000M	441-1661-00
-32	211-0101-00			2		SCREW, MACHINE:4-40 X 0.25, FLH, 100 DEG, STL	83385	ORD BY DESCR
-33	211-0105-00			2		SCREW, MACHINE:4-40 X 0.188, 100 DEG, FLH ST ***** (END ATTACHING PARTS) *****	83385	ORD BY DESCR
-34	-----			1		CKT BOARD ASSY:MOTHER(SEE A08 REPL) ***** (ATTACHING PARTS) *****		
-35	211-0661-00			7		SCREW.MACHINE:4-40 X 0.25 INCH, PNH, STL ***** (END ATTACHING PARTS) *****	78189	ORD BY DESCR
	-----			-		.CKTBOARD ASSY INCLUDES:		
-36	-----			2		.CONNECTOR:(SEE A08J50, A08J51 REPL)		
-37	-----			6		.CONN, RCPT, ELEC:(SEE A08J01, J02, J03, J04, J0 - .J06 REPL)		
-38	-----			1		.CONN, RCPT, ELEC:(SEE A08J07 REPL)		
-39	131-0608-00			2		.TERMINAL, PIN:0.365 L X 0.025 PH BRZ GOLD	22526	48283-036
-40	198-5292-00			1		WIRE SET, ELEC:	0000M	198-5292-00
-41	352-0165-01			1		.HLDR, TERM CONN:7 WIRE, BROWN	80009	352-0165-01
-42	175-0049-00			1		CA ASSY, SP, ELEC:16.28 AWG, 20CM	0000M	175-0049-00
-43	386-4965-00			1		PLATE, HOLDER:CIRCUIT BOARD ***** (ATTACHING PARTS) *****	0000M	386-4965-00
-44	211-0101-00			3		SCREW, MACHINE:4-40 X 0.25, FLH, 100 DEG, STL ***** (END ATTACHING PARTS) *****	83385	ORD BY DESCR

TM 11-6625-3145-14
Replaceable Mechanical Parts-318/338 Service

Fig. & Index No.	Tektronix Part No.	Serial/Model No.		Qty	1 2 3 4 5	Name & Description	Mfr.	
		Eff	Dscont				Code	Mfr Part Number
2-45	386-4059-00			1		SUPPORT, CRT.BLACK PLASTIC	0000M	386-4059-00
-46	-----			1		ELECTRON TUBE:(SEE V200 REPL)		
-47	198-5293-00			1		WIRE SET, ELEC:	0000M	198-5293-00
-48	352-0162-00			1		HLDR, TERM CONN:4 WIRE BLACK	80009	352-0162-00
-49	-----			1		TUBE DEFL:(SEE L150 REPL)		
-50	198-5294-00			1		WIRE SET, ELEC:	0000M	198-5294-00
-51	352-0166-00			1		HLDR, TERM CONN:8 WIRE, BLACK	80009	352-0166-00
-52	136-0777-00			1		SKT, PL-IN ELEK:CRT, 6 PIN, BLACK	0000M	136-0777-00
-53	386-4963-00			1		SUBPANEL, SIDE:LEFT	0000M	386-4963-00
						***** (ATTACHING PARTS) *****		
-54	211-0109-00			4		SCREW, MACHINE:4-40 X 0.875"100 DEG, FLH ST	83385	ORD BY DESCR
						***** (END ATTACHING PARTS) *****		
-55	134-0170-00			1		BUTTON, PLUG:12.7MM DIA, POLYCARBONATE	0000M	134-0170-00
	-----			-		(STANDARD ONLY)		
-56	134-0171-00			1		BUTTON, PLUG:56.6MM DIA, POLYCARBONATE	0000M	134-0171-00
	-----			-		(STANDARD ONLY)		
-57	131-0955-00			2		CONN.RCPT, ELEC:BNC.FEMALE	13511	31-279
	-----			-		(OPTION 01 ONLY)		
-58	210-0255-00			2		TERMINAL, LUG:0.391 ID, LOCKING, BRS CD PL	80009	210-0255-00
	-----			-		(OPTION 01 ONLY)		
	210-0255-00			2		TERMINAL, LUG:0.391 ID, LOCKING, BRS CD PL	80009	210-0255-00
	-----			-		(STANDARD ONLY)		
-59	131-0955-00			2		CONN, RCPT, ELEC:BNC, FEMALE	13511	31-279
-60	210-0255-00			1		TERMINAL, LUG:0.391 ID, LOCKING.BRS CD PL	80009	210-0255-00
	-----			-		(STANDARD ONLY)		
-61	386-4960-00			1		PANEL, SIDE:LEFT	0000M	386-4960-00
-62	386-4964-00			1		PLATE, ELEC SHLD:LEFT	0000M	386-4964-00
-63	175-0142-00			1		CA ASSY, SP, ELEC:26, 28 AWG, 20CM	0000M	175-0142-00
-64	198-5295-00			1		WIRE SET, ELEC:	0000M	198-5295-00
-65	352-0169-00			1		HLDR, TERM CONN:2 WIRE, BLACK	80009	352-0169-00
-66	198-5298-00			1		WIRE SET, ELEC:	0000M	198-5298-00
	-----			-		(OPTION 01 ONLY)		
-67	352-0169-00			1		HLDR.TERM CONN:2 WIRE, BLACK	80009	352-0169-00
	-----			-		(OPTION 01 ONLY)		
-68	-----			1		CKT BOARD ASSY:CRT(SEE A10 REPL)		
						***** (ATTACHING PARTS) *****		
-69	211-0661-00			3		SCREW, MACHINE:4-40 X 0.25 INCH, PNH, STL	78189	ORD BY DESCR
	-----			-		***** (END ATTACHING PARTS) *****		
						.CKT BOARD ASSY INCLUDES:		
-70	352-0686-00			2		.HOLDER, CKT BD:BRASS	0000M	352-0686-00
						***** (ATTACHING PARTS) *****		
-71	211-0661-00			2		.SCREW, MACHINE:4-40 X 0.25 INCH, PNH, STL	78189	ORD BY DESCR
						***** (END ATTACHING PARTS) *****		
-72	-----			1		.MICROCIRCUIT, LI:(SEE A10U280 REPL)		
						***** (ATTACHING PARTS) *****		
-73	211-0244-00			1		.SCR, ASSEM WSHR:4-40 X 0.312 INCH, PNH STL	78189	ORD BY DESCR
-74	210-0551-00			1		.NUT.PLAIN, HEX.:4-40 X 0 25 INCH, STL	000BK	ORD BY DESCR
						***** (END ATTACHING PARTS) *****		
-75	-----			3		.TERM, TEST POINT:(SEE A10TP140, TP145,		
	-----			-		.GND001 REPL)		
-76	131-0608-00			17		.TERMINAL, PIN:0.365 L X 0.025 PH BRZ GOLD	22526	48283-036
-77	-----			1		.TRANSFORMER:(SEE A10T230 REPL)		
-78	386-4966-00			1		SUBPANEL, SIDE:RIGHT	0000M	386-4966-00
	-----			-		(318 ONLY)		
	386-4968-00			1		SUBPANEL, SIDE:RIGHT	0000M	386-4968-00
	-----			-		(338 ONLY)		
						***** (ATTACHING PARTS) *****		
-79	211-0101-00			1		SCREW, MACHINE:4-40 X 0.25, FLH, 100 DEG, STL	83385	ORD BY DESCR
						***** (END ATTACHING PARTS) *****		
-80	131-0955-00			1		CONN, RCPT, ELEC:BNC, FEMALE	13511	31-279
-81	210-0255-00			1		TERMINAL, LUG:0.391 ID, LOCKING, BRS CD PL	80009	210-0255-00
-82	386-4961-00			1		PANEL, SIDE:RIGHT	0000M	386-4961-00
-83	337-3083-00			1		SHIELD, ELEC:EMI	0000M	337-3083-00
-84	136-0387-01			1		JACK, TIP:BLACK	71279	450-4252-01-0310
-85	136-0387-00			1		JACK, TIP:GRAY	71279	450-4352-01-0318

TM 11-6625-3145-14
Replaceable Mechanical Parts-318/338 Service

Fig. & Index No.	Tektronix Part No.	Serial/Model No. Eff Dscont	Qty	1 2 3 4 5	Name & Description	Mfr. Code	Mfr Part Number
2-86	198-5296-00		1		WIRE SET, ELEC:INPUT BRACKET	0000M	198-5296-00
-87	352-0162-00		1		.HLDR, TERM CONN:4 WIRE BLACK	80009	352-0162-00
-88	-----		1		CKT BOARD ASSY:(SEE A01 REPL) ***** (ATTACHING PARTS) *****		
-89	211-0661-00		4		SCREW.MACHINE:4-40 X 0.25 INCH, PNH, STL ***** (END ATTACHING PARTS) *****	78189	ORD BY DESCR
	-----		-		.CKT BOARD ASSY INCLUDES:		
-90	-----		5		.TERM, TEST POINT:(SEE A01TP100, TP102 REPL)		
-91	131-0608-00		12		.TERMINAL, PIN:0.365 L X 0.025 PH BRZ GOLD	22526	48283-036
	-----		-		.(318 ONLY)		
-92	131-0993-00		1		.BUS, CONDUCTOR:2 WIRE BLACK	00779	850100-01
	-----		-		.(318 ONLY)		
-93	131-0589-00		4		.TERMINAL, PIN:0.46 L X 0.025 SQ	22526	48283-029
	-----		-		.(318 ONLY)		
-94	131-0589-00		4		.TERMINAL, PIN:0.46 L X 0.025 SQ	22526	48283-029
	-----		-		.(318 ONLY)		
	131-0589-00		8		.TERMINAL.PIN:0.46 L X 0.025 SQ	22526	48283-029
	-----		-		.(338 ONLY)		
-95	-----		1		.CONNECTOR:(SEE A01J100 REPL)		
-96	-----		1		.CONNECTOR:(SEE A01J106 OR J104 REPL)		
-97	129-0996-00		3		.SPACER, POST:9MM, 4-40 BRASS, 4.775 HEX	0000M	129-0996-00
-98	129-0995-00		2		SPACER.POST:12.9MM, 4-40 BRASS, 4.775 HEX	0000M	129-0995-00
-99	-----		1		CKT BOARD ASSY:INPUT B(SEE A02 REPL) ***** (ATTACHING PARTS) *****		
-100	211-0661-00		4		SCREW, MACHINE:4-40 X 0.25 INCH, PNH, STL ***** (END ATTACHING PARTS) *****	78189	ORD BY DESCR
	-----		-		.CKT BOARD ASSY INCLUDES:		
-101	-----		5		.TERM, TEST POINT:(SEE A02TP202, TP204, TP206 .TP300, TP302 REPL)		
	-----		-				
102	131-0589-00		2		.TERMINAL, PIN:0.46 L X 0.025 SO	22526	48283-029
-103	-----		1		.CONNECTOR:(SEE A02J200 OR J210 REPL)		
-104	131-0993-00		2		.BUS.CONDUCTOR:2 WIRE BLACK	00779	850100-01
-105	-----		1		.CONNECTOR:(SEE A02J206 OR J220 REPL)		
-106	361-0955-00		1		.SPACER, CONN:0.433 THK, POLYCARBONATE	0000M	361-0955-00
	-----		-		.(318 ONLY)		
	361-0955-00		2		.SPACER, CONN:0.433 THK, POLYCARBONATE	0000M	361-0955-00
	-----		-		.(338 ONLY)		
-107	-----		4		.CONNECTOR:(SEE A02J200.J202, J204, J206 REP		
-108	-----		1		CKT BOARD ASSY:ACQ CONTROL(SEE A03 REPL) ***** (ATTACHING PARTS) *****		
-109	211-0661-00		4		SCREW, MACHINE:4-40 X 0.25 INCH, PNH.STL ***** (END ATTACHING PARTS) *****	78189	ORD BY DESCR
	-----		-		.CKT BOARD ASSY INCLUDES:		
-110	-----		2		.TEST POINT:(SEE A03TP100, TP200 REPL)		
-111	131-0993-00		7		.BUS, CONDUCTOR:2 WIRE BLACK	00779	850100-01
	-----		-		.(318 ONLY)		
	131-0993-00		3		.BUS.CONDUCTOR:2 WIRE BLACK	00779	850100-01
	-----		-		.(338 ONLY)		
-112	-----		1		.CONNECTOR:(SEE A03J050 REPL)		
-113	-----		1		.CONNECTOR:(SEE A03J200 REPL)		
-114	-----		2		.CONNECTOR:(SEE A03J300, J400 REPL)		
-115	214-3419-00		1		.HEAT SINK:MSL	0000M	214-3419-00
-116	131-0589-00		6		.TERMINAL, PIN:0.46 L X 0.025 SO	22526	48283-029
-117	131-2939-01		1		.CONN.RCPT, ELEC:FEMALE, 2 X 20	0000M	131-2939-01
-118	129-0997-00		4		SPACER, POST:9.8MM W/4-40 THD, BRASS	0000M	129-0997-00
-119	-----		1		CKT BOARD ASSY:ACQ MEMORY(SEE A04 REPL) ***** (ATTACHING PARTS) *****		
-120	211-0661-00		4		SCREW.MACHINE:4-40 X 0.25 INCH, PNH, STL ***** (END ATTACHING PARTS) *****	78189	ORD BY DESCR
	-----		-		.CKT BOARD ASSY INCLUDES:		
-121	-----		2		.TEST POINT:(SEE A04TP110, TP111 REPL)		
-122	131-0589-00		40		.TERMINAL, PIN:0.46 L X 0.025 SQ	22526	48283-029
-123	-----		1		.CONNECTOR:(SEE A04J200 REPL)		
124	346-0032-00		1		.STRAP, RTNING:0.075 DIA X 4.0 L, MLD RBR	98159	2859-75-4
125	214-3419-00		1		.HEAT SINK:MSL	0000M	214-3419-00

TM 11-6625-3145-14
Replaceable Mechanical Parts-318/338 Service

Fig. & Index No.	Tektronix Part No.	Serial/Model No.		Qty	1 2 3 4 5	Name & Description	Mfr. Code	Mfr Part Number
		Eff	Dscont					
2-126	-----			1		CKT BOARD ASSY:ROM/THRSHLD(SEE A05 REPL)		
-127	136-0694-00			1		.SKT, PL-IN ELEK:MICROCIRCUIT, 28 CONTACT	09922	DILB28P-108
-128	131-0608-00			2		.TERMINAL, PIN:0.365 L X 0.025 PH BRZ GOLD	22526	48283-036
-129	131-0993-00			1		.BUS, CONDUCTOR:2 WIRE BLACK	00779	850100-01
-130	-----			3		.TEST POINT:(SEE A05TP64, TP78, TP88 REPL)		
-131	-----			1		CKT BOARD ASSY:MPU/DISPLAY(SEE A06 REPL)		
-132	-----			2		.TEST POINT:(SEE A06GND 1, 2 REPL)		
-133	136-0623-00	300101	.300330	1		.SOCKET, PLUG-IN:40 DIP, LOW PROFILE	09922	DILB40P-108
	-----			-		.(318 ONLY)		
	136-0623-00	.300101	300200	1		.SOCKET, PLUG-IN:40 DIP, LOW PROFILE	09922	DILB40P-108
	-----			-		.(338 ONLY)		
-134	131-0608-00			7		.TERMINAL, PIN:0.365 L X 0.025 PH BRZ GOLD	22526	48283-036
-135	131-0993-00			2		.BUS, CONDUCTOR:2 WIRE BLACK	00779	850100-01
-136	-----			1		CKT BOARD ASSY:SERIRS232C/NVM(SEE A07 REPL		
	-----					(OPTION 01 ONLY)		
-137	-----			1		.CONNECTOR:(SEE A07J100 REPL)		
	-----					.(OPTION 01 ONLY)		
-138	346-0032-00			1		.STRAP, RTNING:0.075 DIA X 4.0 L, MLD RBR	98159	2859-75-4
	-----					(OPTION 01 ONLY)		
-139	131-2935-00			2		.CONN, RCPT, ELEC:HEADER, ANGLE, 1 X 2	0000M	131-2935-00
	-----					.(OPTION 01 ONLY)		
-140	-----			6		.TEST POINT:(SEE A07TP010, TP011, TP100, TP10		
	-----			-		.TP200, TP201 REPL, OPTION 01 ONLY)		

TM 11-6625-3145-14
Replaceable Mechanical Parts-318/338 Service

Fig. & Index No.	Tektronix Part No.	Serial/Model No.		Qty	1 2 3 4 5	Name & Description	Mfr.	
		Eff	Dscont				Code	Mfr Part Number
3-1	441-1663-00	.300101	.300280	1		CHAS, PWR SUPPLY:318/338	0000M	441-1663-00
	-----			-		(318 ONLY)		
	441-1663-01	.300281		1		CHAS, PWR SUPPLY:318/338	0000M	441-1663-01
	-----			-		(318 ONLY)		
	441-1663-00	.300101	.300145	1		CHAS, PWR SUPPLY:318/338	0000M	441-1663-00
	-----			-		(338 ONLY)		
	441-1663-01	.300146		1		CHAS, PWR SUPPLY:318/338	0000M	441-1663-01
	-----			-		(338 ONLY)		
-2	334-3379-00			1		MARKER, IDENT:MARKED GROUND SYMBOL	80009	334-3379-00
-3	210-0202-00			1		TERMINAL.LUG:0.146 ID, LOCKING, BRZ, TIN PL	78189	2104-06-00-2520N
						***** (ATTACHING PARTS) *****		
-4	210-0457-00			1		NUT, PL, ASSEM WA:6-32 X 0.312, STL CD PL	83385	ORD BY DESCR
						***** (END ATTACHING PARTS) *****		
-5	361-1235-00			1		SPACER, FILTER:4.6MM THK, POLYCARBONATE	0000M	361-1235-00
-6	-----			1		FILTER:(SEE FL1 REPL)		
						***** (ATTACHING PARTS) *****		
-7	210-0586-00			2		NUT, PL, ASSEM WA:4-40 X 0.25, STL, CD PL	78189	211-041800-00
						***** (END ATTACHING PARTS) *****		
-8	-----			1		SWITCH, SLIDE:(SEE S2 REPL)		
						***** (ATTACHING PARTS) *****		
-9	210-0406-00			2		NUT, PLAIN, HEX:4-40 X 0, 188, BRS, CD PL	73743	12161-50
-10	210-0004-00			2		WASHER, LOCK:#4 INTL, 0.015 THK, STL CD PL	000BK	ORD BY DESCR
						***** (END ATTACHING PARTS) *****		
-11	200-2264-00			1		CAP., FUSEHOLDER:3AG FUSES	S3629	FEK 031 1666
-12	204-0833-00			1		BODY, FUSEHOLDER:3AG & 5 X 20MM FUSES	S3629	031.1653(MDLFEU)
-13	210-1039-00			1		WASHER, LOCK:INT, 0.521 ID X 0.625 INCH O	24931	ORD BY DESCR
-14	200-2820-00			1		COVER, FAN:COPPER	0000M	200-2820-00
-15	-----			1		FAN ASSY:(SEE B1 REPL)		
						***** (ATTACHING PARTS) *****		
-16	211-0020-00			4		SCREW, MACHINE:4-40 X 1.125 INCH, PNH STL	83385	ORD BY DESCR
-17	210-0004-00			4		WASHER, LOCK:#4 INTL, 0.015 THK, STL CD PL	000BK	ORD BY DESCR
						***** (END ATTACHING PARTS)" *****		
				-		.FAN ASSY INCLUDES:		
-18	352-0371-00			1		.HLDR, TERM CONN:2, FEMALE	000 M	352-0371-00
-19	200-2822-00			1		COVER, PWR SPLY:BOTTOM, ALUMINUM	0000M	200-2822-00
	-----					***** (ATTACHING PARTS) *****		
-20	211-0105-00			1		SCREW, MACHINE:4-40 X 0.188, 100 DEG, FLH ST	83385	ORD BY DESCR
						***** (END ATTACHING PARTS) *****		
-21	342-0627-00			1		INSULATOR, PLATE:BOTTOM, POLYCARBONATE	0000M	342-0628-00
-22	200-2821-00			1		COVER, PWR SUPPLY:TOP, ALUMINUM	0000M	200-2821-00
						***** (ATTACHING PARTS) *****		
-23	211-0105-00			1		SCREW.MACHINE:4-40 X 0.188, 100 DEG, FLH ST	83385	ORD BY DESCR
						***** (END ATTACHING PARTS) *****		
-24	342-0628-00			1		INSULATOR, PLATE:TOP, POLYCARBONATE	0000M	342-0628-00
-25	333-2969-00	.300101	.300280	1		PANEL, REAR:318/338	0000M	333-2969-00
	-----			-		(318 ONLY)		
	333-2969-01	.300281		1		PANEL, REAR:318/338	0000M	333-2969-01
	-----			-		(318 ONLY)		
	333-2969-00	.300101	.300145	1		PANEL, REAR:318/1338	0000M	333-2969-00
	-----			-		(338 ONLY)		
	333-2969-01	.300146		1		PANEL, REAR:318/338	0000M	333-2969-01
	-----			-		(338 ONLY)		
						***** (ATTACHING PARTS) *****		
-26	211-0510-00			2		SCREW, MACHINE:6-32 X 0.375, PNH, STL, CD PL	83385	ORD BY DESCR
						***** (END ATTACHING PARTS) *****		
-27	334-4911-00			1		MARKER, IDENT:CAUTION 0000M 334-4911-00		
-28	-----			1		CKT BOARD ASSY:INVERTER(SEE A11 REPL)		
						***** (ATTACHING PARTS) *****		
-29	211-0661-00			4		SCREW, MACHINE:4-40 X 0.25 INCH, PNH, STL	78189	ORD BY DESCR
						***** (END ATTACHING PARTS) *****		
	..-----			-		.CKT BOARD ASSY INCLUDES:		
-30	352-0686-00			2		. HOLDER, CKT BD:BRASS 0000M 352-0686-00		
						***** (ATTACHING PARTS) *****		
31	211-0661-00			2		.SCREW, MACHINE:4-40 X 0.25 INCH, PNH, STL	78189	ORD BY DESCR
						***** (END ATTACHING PARTS) *****		

TM 11-6625-3145-14
Replaceable Mechanical Parts-318/338 Service

Fig. & Index No.	Tektronix Part No.	Serial/Model No.		Qty	1 2 3 4 5	Name & Description	Mfr.	
		Eff	Dscont				Code	Mfr Part Number
3-32	-----			1		.DIODE:(SEE A11CR151 REPL) ***** (ATTACHING PARTS) *****		
-33	211-0121-00			1		.SCR, ASSEM WSHR:4-40 X 0.438 INCH, PNH BRS ***** (END ATTACHING PARTS) *****	83385	ORD BY DESCR
-34	214-2063-00			1		.HEAT SINK, DIODE:(2) ALUMINUM ***** (ATTACHING PARTS) *****	0000M	214-2063-00
-35	211-0661-00			2		.SCREW, MACHINE:4-40 X 0.25 INCH, PNH, STL ***** (END ATTACHING PARTS) *****	78189	ORD BY DESCR
-36	-----			1		.DIODE:(SEE A11CR153 REPL) ***** (ATTACHING PARTS) *****		
-37	211-0121-00			1		.SCR, ASSEM WSHR:4-40 X 0.438 INCH, PNH BRS ***** (END ATTACHING PARTS) *****	83385	ORD BY DESCR
-38	----			1		.DIODE:(SEE A11CR152 REPL) ***** (ATTACHING PARTS) *****		
-39	211-0121-00			1		.SCR, ASSEM WSHR:4-40 X 0.438 INCH, PNH BRS ***** (END ATTACHING PARTS) *****	83385	ORD BY DESCR
-40	214-2048-00			1		.HEAT SINK, DIODE:(1)ALUMINUM ***** (ATTACHING PARTS) *****	DDDDM	214-2048-00
-41	211-0661-00			2		.SCREW, MACHINE:4-40 X 0.25 INCH, PNH, STL ***** (END ATTACHING PARTS) *****	78189	ORD BY DESCR
-42	-----			1		.TRANSISTOR:(SEE A11 Q149 REPL) ***** (ATTACHING PARTS) *****		
-43	211-0121-00			1		.SCR, ASSEM WSHR:4-40 X 0.438 INCH, PNH BRS ***** (END ATTACHING PARTS) *****	83385	ORD BY DESCR
-44	-----			1		.THERMOSTATIC:(SEE A11 S3 REPL) ***** (ATTACHING PARTS) *****		
-45	211-0661-00			2		.SCREW, MACHINE:4-40 X 0.25 INCH, PNH, STL ***** (END ATTACHING PARTS) *****	78189	ORD BY DESCR
-46	214-2064-00			1		.HEAT SINK, XSTR:TO-218, ALUMINUM ***** (ATTACHING PARTS) *****	0000M	214-2064-00
-47	211-0661-00			2		.SCREW, MACHINE:4-40 X 0.25 INCH, PNH, STL ***** (END ATTACHING PARTS) *****	78189	ORD BY DESCR
-48	-----			3		.CONNECTOR:(SEE A11J4, J5, J11 REPL)		
-49	-----			2		.CONNECTOR:(SEE A11J8, J10 REPL)		
-50	-----			1		CKT BOARD ASSY:REGULATOR(SEE A12 REPL) ***** (ATTACHING PARTS) *****		
-51	211-0661-00			4		SCREW, MACHINE:4-40 X 0.25 INCH, PNH, STL ***** (END ATTACHING PARTS) *****	78189	ORD BY DESCR
	-----					.CKT BOARD ASSY INCLUDES:		
-52	-----			2		.CONNECTOR:(SEE A12J7, J9 REPL)		
-53	-----			1		.CONNECTOR:(SEE A12J6 REPL)		
-54	-----			1		.TERM, TEST:(SEE A12TP1, TP2, TP3 REPL)		
-55	131-2994-00			1		.BUS, CONDUCTOR:5 CONDUCTOR, 73MM L	0000M	131-2994-00
-56	-----			1		.CONNECTOR:(SEE A12J1 REPL)		
-57	-----			2		.CONNECTOR:(SEE A12J2, J3 REPL)		
	175-8753-00			1		CA ASSY, SP, ELEC:ECB PWR SUPPLY	0000M	175-8753-00
-58	175-8464-00			2		.CA ASSY, SP, ELEC:7, 22 AWG, 105MM L, RIBBON	0000M	175-8464-00
-59	175-8748-00			1		.CA ASSY, SP, ELEC:2, 18 AWG, 14 CM, O-N, 9-N	0000M	175-8748-00
-60	352-0370-00			2		..HLDR, TERM CONN:2, FEMALE	0000M	352-0370-00
-61	175-8749-00			1		.LEAD ASSY, ELEC:1, 18 AWG, 7CM, 9-N	0000M	175-8749-00
-62	175-8750-00			1		.LEAD ASSY, ELEC:2, 20 AWG, 13CM, 9-N	0000M	175-8750-00
-63	352-0370-00			1		..HLDR, TERM CONN:2, FEMALE	0000M	352-0370-00
-64	175-8751-00			1		.LEAD ASSY, ELEC:2, 20 AWG, 13CM, 9-N	0000M	175-8751-00
-65	352-0370-00			1		..HLDR, TERM CONN:2, FEMALE	0000M	352-0370-00
	175-8752-00			1		CA ASSY, SP, ELEC:3, 18 AWG.14CM, 4-5, 2-N	0000M	175-8752-00

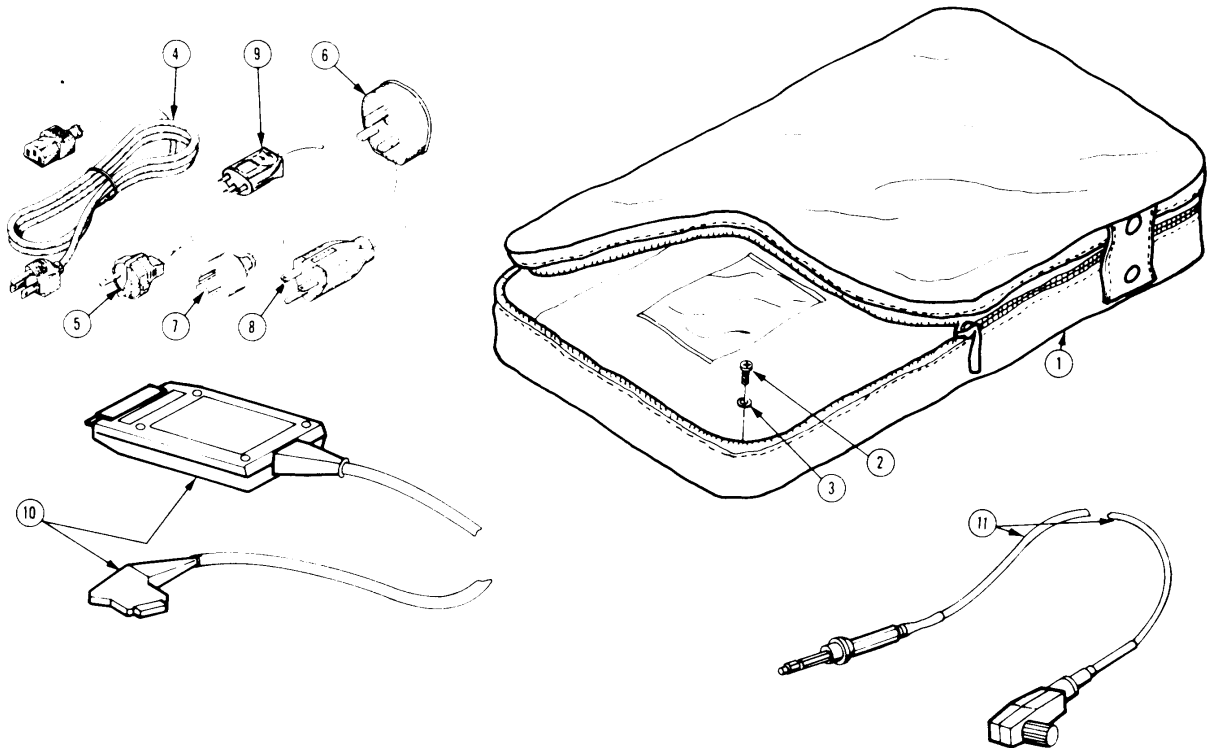


Fig. &
Index
No.

Tektronix
Part No.

Serial/Model No.
Eff Dscnt

Qty 1 2 3 4 5

Name & Description

Mfr.
Code

Mfr Part Number

STANDARD ACCESSORIES

4-	070-4433-00		1	MANUAL, TECH:OPERATORS	80009	070-4433-00
	070-4435-00		1	GUIDE, TECHNICAL:OPR REF	80009	070-4435-00
-1	016-0697-00		1	ACCESSORY POUCH: ***** (ATTACHING PARTS) *****	0000M	016-0697-00
-2	211-0007-00		4	SCREW, MACHINE:4-40 X 0.188 INCH, PNH STL	83385	ORD BY DESCR
-3	210-0851-00		4	WASHER, FLAT:0.119 ID X 0.375 INCH OD, ST ***** (END ATTACHING PARTS) *****	12327	ORD BY DESCR
-4	161-0104-00		1	CABLE ASSY, PWR, :3 WIRE, 98.0 L, W/RTANG CONN	S3109	ORD BY
DESCR	-----		-	(STANDARD ONLY)		
-5	161-0104-06		1	CABLE ASSY, PWR:3 X 0.75MM SQ, 220V, 98.0L	S3109	ORD BY DESCR
	-----		-	(OPTION A1-EUROPEAN ONLY)		
-6	161-0104-07		1	CABLE ASSY, PWR:3 X 0.75MM SQ, 240V, 98.0 L	S3109	ORD BY DESCR
	-----		-	(OPTION A2-UNITED KINGDOM ONLY)		
-7	161-0104-05		1	CABLE ASSY, PWR:3, 18 AWG, 240V, 98.0 L	S3109	ORD BY DESCR
	-----		-	(OPTION A3-AUSTALIAN ONLY)		
-8	161-0104-08		1	CABLE ASSY, PWR:3, 18 AWG, 240V, 98.0 L	TI105	ORD BY DESCR
	-----		-	(OPTION A4-NORTH AMERICAN ONLY)		
-9	161-0154-00		1	CABLE ASSY, PWR:3, 0.75MM SQ, 240V, 6A, 2.5M L	000JA	A25SW
	-----		-	(OPTION AS-SWITZERLAND ONLY)		
-10	010-6451-07		2	LEAD, TEST:MULTI LEAD, W/ACCESS	80009	010-6451-07
-11	010-6107-03		1	PROBE, VOLTAGE:10 X, 2 METER	80009	010-6107-03

OPTIONAL ACCESSORIES

012-0757-00	1	CABLE, INTCON:180.0 L	80009	012-0757-00
067-1159-00	1	FIXTURE, CAL:SERVICE MAINTENANCE	0000M	067-1159-00
070-4434-00	1	MANUAL, TECH:SERVICE	80009	070-4434-00

APPENDIX A REFERENCES

DA Pam 310-1	Consolidated Index of Army Publications and Blank Forms.
DA Pam 738-750	The Army Maintenance Management System (TAMMS)
TM 11-6625-3145-24P	Organization, Direct Support, and General Support Maintenance, including Depot Maintenance Repair Parts and Special Tools Lists for Logic Analyzer, TEK Models 318/338
TM 7520-244-2	Procedures for Destruction of Electronics Materiel to Prevent Enemy Use (Electronics Command)

A-1/(A-2 blank)

**APPENDIX B
COMPONENTS OF END ITEM LIST
SECTION I. INTRODUCTION**

B-1. Scope

The appendix lists integral components of and basic issue items for Logic Analyzer, TEK Models 318/338 to help you inventory items required for safe and efficient operation.

B-2. General

This Components of End Item List is divided into the following sections:

a. SECTION II. Integral Components of End Item. These items, when assembled, comprise the Logic Analyzer, TEK Models 318/338. These components must accompany the End Item whenever it is transferred or turned in. The illustrations referenced will help you identify these items.

b. SECTION III. Basic Issue Items. Not applicable.

B-3. SECTION II. Integral Components of End Item. Explanation of Column Entries.

a. Column 1, Illustration. This column is divided as follows:

- (1) Column A, Figure Number. Indicates the figure number of the illustration on which the item is shown.
- (2) Column B, Item Number. The number used to identify the item called out in the illustration.

b. Column 2, National Stock Number. Indicates the National Stock Number assigned to the item, the number will be used for requisitioning.

c. Column 3, Description. Indicates the Federal item name and, if required, gives a minimum description to identify the item. The Part Number indicated is the primary number used by the manufacturer, which controls the design and characteristics of the item by means of its engineering drawings, specification, standards, and inspection requirements to identify an item or range of items. Following the Part Number, the Federal Supply Code for Manufacturers (FSCM) is shown in parentheses.

d. Column 4, Location. The physical location of each item listed is given, The lists are designed to inventory all items in one area of the major item before moving into an adjacent area.

- e. Column 5, Usable on Code. Not applicable.
- f. Column 6, Quantity Required (Qty Regd). This column lists the quantity of each item required for a complete major item.
- g. Column 7, Quantity. This column is divided into two columns. In the Received (Rcvd) column, list the quantity actually received on your major item. The Date column is left blank for later use during inventory of the major item.

SECTION II INTEGRAL COMPONENTS OF END ITEM

(1) ILLUSTRATION (A) FIG. NO. (B) ITEM NO.		(2) NATIONAL STOCK NUMBER	(3) DESCRIPTION PART NUMBER (FSCM)		(4) LOCATION	(5) USUABLE ON CODE	(6) QTY REQD	(7) QUANTITY RCVD DATE	
			LOGIC ANALYZER, TEKTRONIX MODEL 31851 (FSCM)	(80009)					

APPENDIX C
ERROR AND ACQUISITION STATUS MESSAGES

The following table lists the error and acquisition status messages which may appear on the screen. The messages are listed in alphabetical order.

Message	Description
COMM ERR:CD COMM ERR:CTS COMM ERR:DSR <SETUP CHANGED> NO RESPONSE REMOTE START REMOTE STOP PRESS STOP USE SELECT USE EXECUTE USE INCR/DECR USE 0-1, X USE 0-7, X USE 0-9, X USE 0-F, X USE A, B, X USE O-D, X <SLOW CLOCK> <ST:SETUP CHANGED> <ST:NO ACQ> <ST:NO TRIG> <ST:T=-1000W> <ST:NO ACQ> <T=255W> <T=-100> TRYING TO LINK <WAITING TRIG>	REMOTE MODE message. These messages appear when the 318/338 detects a modem or communication line error. This message appears when you change the hardware setup during data acquisition. REMOTE MODE message. Link message time out. Communication link is complete. Start remote control. Remote mode is closed. Some fields require you to press the STOP key when instructed. These messages appear when you use the wrong key when trying to select a field value. The messages list the valid keys. This messages appears when external clock interval is longer than 25 mS. These messages (except <ST:NO ACQ>) appear when you press the STOP key during data acquisition. <ST:NO ACQ> appears when you press the STOP key during hardware setup in the single acquisition mode or the first cycle of the repeat acquisition mode. These messages appear when the 318/338 has finished acquiring data; the numbers included in these messages indicate the trigger position. REMOTE MODE message. The 318/338 is waiting for a link message from the terminal. This message means that the 318/338 is waiting for a trigger word. This message appears just before the 318/338 starts an acquisition.

APPENDIX D**MAINTENANCE ALLOCATION****SECTION 1. INTRODUCTION****D-1. General**

This appendix provides a summary of the maintenance operations for Logic Analyzer, TEK Models 318/338. It authorizes categories of maintenance for specific maintenance functions on repairable items and components and the tools and equipment required to perform each function. This appendix may be used as an aid in planning maintenance operations.

D-2. Maintenance

Function Maintenance functions will be limited to and defined as follows:

a. Inspect. To determine the serviceability of an item by comparing its physical, mechanical, and/or electrical characteristics with established standards through examination.

b. Test. To verify serviceability and to detect incipient failure by measuring the mechanical or electrical characteristics of an item and comparing those characteristics with prescribed standards.

c. Service. Operations required periodically to keep an item in proper operating condition; i.e., to clean (decontaminate), to preserve, to drain, to paint, or to replenish fuel, lubricants, hydraulic fluids, or compressed air supplies.

d. Adjust. To maintain, within prescribed limits, by bringing into proper or exact position, or setting the operating characteristics to specified parameters.

e. Align. To adjust specified variable elements of an item to bring about optimum or desired performance.

f. Calibrate. To determine and cause corrections to be made or to be adjusted in instruments or test

measuring and diagnostics equipments use in precision measurement. Consists of comparison of two instruments, one in which is a certified standard of know accuracy of the instrument being compared.

g. Install. The act of emplacing, seating, or fixing into position an item, part, module (component or assembly) in a manner to allow the proper functioning of the equipment or system.

h. Replace. The application of maintenance services (inspect, test, service, adjust, aline, calibrate, replace) or other maintenance actions (welding, grinding, riveting, straightening, facing, remachining, or resurfacing) to restore serviceability to an item by correction specific damage, fault, malfunction, or failure in a part, subassembly, module (component or assembly), end item, or system. This function does not include the trail and error replacement of running spare type items such as fuses, lamps, or electron tubes.

i. Overhaul. That maintenance effort (service/action) necessary to restore an item to a completely serviceable/operational condition as prescribed by maintenance standards (i.e., DMWR) in appropriate technical publications. Overhaul is normally the highest degree of maintenance performed by the Army. Overhaul does not normally return an item to like new condition.

k. Rebuild. Consists of those services/actions necessary for the restoration of unserviceable equipment to a like new condition in accordance with original manufacturing standards. Rebuild is the highest degree of materiel maintenance applied to Army equipment. The rebuild operation includes the act of returning to zero those age measurements (hours, miles, etc.) considered in classifying Army equipment/ components.

D-3. SECTION II. Maintenance Allocation Chart. Explanation of Column Entries

a. Column 1, Group Number. This column lists group numbers, the purpose of which is to identify components, assemblies, subassemblies.

and modules with the next higher assembly.

b. Column 2, Component/Assembly. Indicates the noun names of components, assemblies, subassemblies, and modules for which maintenance is authorized.

c. Column 3, Maintenance Function. Lists the functions to be performed on the item listed column 2. When items are listed without maintenance functions. This is done solely for the purpose of having the group numbers in the MAC and RPSTL coincide.

d. Column 4, Maintenance Category. Specifies, by the listing of a "work time" figure in the appropriate subcolumn(s), the lowest level of maintenance authorized to perform the function listed in column 3. This figure represents the active time required to perform that maintenance function at the indicated category of maintenance. If the number or complexity of the tasks within the listed maintenance function varies at different maintenance categories, appropriate "work time" figures will be shown for each category. The number of task-hours specified by the "work time" figure represents the average time required to restore an item (assembly, subassembly, components, module, end item or system) to a serviceable condition under typical field operating conditions. This time includes preparation time, troubleshooting time, and quality assurance/quality control time in addition to the time required to perform the specific tasks identified for the maintenance function authorized in the maintenance allocation chart. Subcolumns of column 4 are as follows:

C = Operator/Crew
O = Organizational
F = Direct Support
H = General Support
D = Depot

e. Column 5, Tools and Equipment. Specifies by code, shown in Section III, those common tools sets (not individual tools), special tools, and test and support equipment required to perform the designated function.

f. Column 6, Remarks. Contains an alphabetic code which refers to the applicable remark in Section IV.

D-4. SECTION III. Tool and Test Equipment Requirements.

a. Tool or Test Equipment Reference Code. The numbers in this column coincide with the numbers used in the tools and equipment column of the MAC. The numbers indicate the applicable tool or test equipment for the maintenance functions.

b. Maintenance Category. The codes in this column indicate the maintenance category allocated the tool or test equipment.

c. Nomenclature. This column lists the noun name and nomenclature of the tools and test functions.

d. National/NATO Stock Number. This column lists the National/ NATO Stock Number of the specific tool or test equipment.

e. Tool Number. This column lists the manufacturer's Part Number of the tool and is followed by the Federal Supply Code for Manufacturers (FSCM) (5 digits) in parentheses.

D-5. Section IV. Remarks

a. Reference Code. This code refers to the appropriate item in Section II, column 6.

b. Remarks. This column provides the required explanatory information necessary to clarify items appearing in Section II.

**SECTION II MAINTENANCE ALLOCATION CHART
FOR
LOGIC ANALYZER 318S1**

(1) GROUP NUMBER	(2) COMPONENT ASSEMBLY	(3) MAINTENANCE FUNCTION	(4) MAINTENANCE LEVEL					(5) TOOLS AND EQUIPMENT	(6) REMARKS
			C	O	F	H	D		
00	LOGIC ANALYZER 318S1 (80009)	Inspect			0.5			1-9	A, B, C
		Test				1.0			
		Test					3.0		
		Service			0.5			1-9	
		Replace			0.3				
		Repair				2.0			
01	DATA INPUT A CCA 670-7819-00	Repair					4.0		
		Inspect				0.1		3.0	
A1		Test					3.0		
		Replace					0.3		
		Repair					4.0		
02	DATA INPUT B CCA 670-7818-00	Inspect					0.1		
		Test						3.0	
A2		Replace					0.3		
		Repair					4.0		
03	ACQ CONTROL CCA 670-7815-00	Inspect					0.1		
		Test						3.0	
A3		Replace					0.3		
		Repair					4.0		
04	ACQ MEMORY CCA 670-7814-00	Inspect					0.1		
		Test						3.0	
A4		Replace					0.3		
		Repair					4.0		
05	ROM/THRESHOLD CCA 670-7813-00	Inspect					0.1		
		Test						3.0	
A5		Replace					0.3		
		Repair					4.0		
06	MPU DISPLAY CCA 670-7812-00	Inspect					0.1		
		Test						3.0	
A6		Replace					0.3		
		Repair					4.0		
07	SERIAL/RS232/NUM 670-7809-00	Inspect					0.1		
		Test						3.0	
A7		Replace					0.3		
		Repair					4.0		
08	MOTHER BOARD CCA 670-7811-00	Inspect						0.5	
		Test						1.0	
A8		Replace					1.0		
		Repair					4.0		
09	CRT CIRCUIT CCA 670-7810-00	Inspect					0.1		
		Test						3.0	
A10		Replace					0.3		
		Repair					4.0		
10	INVERTER CCA 670-7821-00 A11	Inspect					0.1		
		Test						3.0	
		Replace					0.3		
		Repair					4.0		
11	REGULATOR CCA 670-7820-00	Inspect					0.1		
		Test						3.0	
A12		Replace					0.3		
		Repair					4.0		
		D-5							

**SECTION III TOOL AND TEST EQUIPMENT REQUIREMENTS
FOR
LOGIC ANALYZER 318S1**

TOOL OR TEST EQUIPMENT REF CODE	MAINTENANCE CATEGORY	NOMENCLATURE	NATIONAL/NATO STOCK NUMBER	TOOL NUMBER
1	H	DUAL TRACE OSCILLOSCOPE OS261C/U		TEK475 (80009)
2	H	POWER MODULE OS261C/U		TM503 (80009)
3	H	PULSE GENERATOR SG-1205/U	6625-01-137-5369	
4	H	DIGITAL MULTIMETER AN/USM-486	6625-01-145-2430	
5	H	DIGITAL DELAY DD501		
6	H	POWER SUPPLY		(80009) PS501
7	H	MAINTENANCE KIT		(80009) 067-1159-00
8		COMPUTER TERMINAL		(80009) 4025
9		GENERATOR		(80009) 834
				(80009)

SECTION IV. REMARKS

REFERENCE CODE	REMARKS
<p>A B C</p>	<p>TEST AND REPAIR BY USATSG AT GENERAL SUPPORT LEVEL. CONSISTS OF REPLACEMENT OF CCA'S, SUBASSEMBLIES, AND MAINFRAME COMPONENTS AS REQUIRED. ASSEMBLY A9 IS A THROW-AWAY ITEM.</p>

**APPENDIX E
ERROR CODES**

**Table E-1
ERROR CODES IN SELF TEST**

Code	Description
00	ROM U1 (00 TO 3FFF) MAY BE DAMAGED.
01	ROM U2 (4000 TO 7FFF) MAY BE DAMAGED.
02	ROM U3 (PAGE 1: 8000 TO BFFF) MAY BE DAMAGED.
03	ROM U4 (PAGE 2: 8000 TO BFFF) MAY BE DAMAGED.
04	ROM U5 (PAGE 3: 8000 TO BFFF) MAY BE DAMAGED.
05	ROM U6 (PAGE 4: 8000 TO BFFF) MAY BE DAMAGED.
06	ROM U7 (C000 TO DFFF) MAY BE DAMAGED.
10	DISPLAY RAM (E800 TO EFFF) MAY BE DAMAGED.
11	SYSTEM RAM (F000 TO FFFF) MAY BE DAMAGED.
KBD	SOME KEYS MAY BE DEPRESSED.
TIME BASE	TIMER OR SOME OF SYSTEM CLOCK MAY BE DAMAGED.
T/H	SOME ERRORS ARE DETECTED IN $V3=(V1 +V2)^2$ TEST.
WR	THE WORD RECOGNIZER RAMS (WRO AND WR1) MAY BE DAMAGED.
ACQ	HIGH SPEED RAM MAY BE DAMAGED.
SQRAM	SEQUENCER RAM MAY BE DAMAGED.
NDL	EVENT/DELAY CARRY FLAG IS NOT SET.
SEQ	SOME TRIGGER SEQUENCE FLAGS MAY BE DAMAGED.
SER	SIO FOR SERIAL ACQUISITION MAY BE DAMAGED.
RMT	SIO FOR REMOTE CONTROL MAY BE DAMAGED.
NVM	NON VOLATILE MEMORY MAY BE DAMAGED.

Table E-2
ERROR CODES OF PARALLEL TESTS IN DIAGNOSTICS MENU

Code	Description
20	CAN NOT WRITE WORD "55" INTO WRO, OR CAN NOT READ DATA FROM HIGH SPEED RAM.
21	CAN NOT WRITE WORD "AA" INTO WRO, OR CAN NOT READ DATA FROM HIGH SPEED RAM.
22	CAN NOT WRITE WORD "55" INTO WR1, OR CAN NOT READ DATA FROM SPEED RAM.
23	CAN NOT WRITE WORD "AA" INTO WR1, OR CAN NOT READ DATA FROM SPEED RAM.
30	CAN NOT WRITE "55H" INTO HIGH SPEED RAM, OR CAN NOT READ DATA FROM HIGH SPEED RAM.
31	ADDRESS COUNTER CARRY FLAG IS NOT SET.
32	CAN NOT WRITE "OAAH" INTO HIGH SPEED RAM, OR READ DATA FROM HIGH SPEED RAM.
33	ADDRESS COUNTER CARRY FLAG IS NOT SET.
40	CAN NOT WRITE "55H" INTO SGRAM, OR CAN NOT READ DATA FROM HIGH SPEED DATA.
41	CAN NOT WRITE "OAAH" INTO SGRAM, OR CAN NOT READ DATA FROM HIGH SPEED DATA.
50	N-FLAG IS NOT SET.
51	TRIG'D FLAG IS NOT SET.
52	STOP FLAG IS NOT SET.
53	ACQUIRED DATA IS NOT EQUAL TO EXPECTED DATA.

**Table E-3
ERROR CODES OF SERIAL TESTS IN DIAGNOSTICS MENU**

Code	Description
B4	SERIAL STATUS REGISTER READ ERROR
B5	SERIAL RECEIVE READY NOT OFF
B6	SERIAL ERROR REGISTER READ ERROR
B7	SERIAL FRAMING-ERR BIT NOT OFF
B8	SERIAL OVER RUN-ERR BIT NOT OFF
B9	SERIAL PARITY-ERR BIT NOT OFF
BA	EXT-TRIG BIT NOT OFF
BB	EXT-TRIG BIT NOT ON
BC	DATA LOOP-BACK TEST ERROR AT 75 BAUD
BD	(FROM RS232 OUTPUT TO SERIAL INPUT) " " " 200 BAUD
BE	" " " 2400 BAUD
BF	" " " 1800 BAUD
C0	" " " 1200 BAUD
C1	" " " 4800 BAUD
C2	" " " 110 BAUD
C3	" " " 9600 BAUD

Table E-4
ERROR CODES OF REMOTE TESTS IN DIAGNOSTICS MENU

Code	Description
96	RTS NOT ON
97	CTS NOT ON
98	CD NOT ON
99	RTS NOT OFF
9A	CTS NOT OFF
9B	CD NOT OFF
9C	DTR NOT ON
9D	DSR NOT ON
9E	RS232 STATUS REGISTER READ ERROR
9F	RS232 RECEIVE READY FLAG NOT OFF
A0	RS232 TRANSMIT EMPTY FLAG NOT ON
A2	RS232 ERROR REGISTER READ ERROR
A3	RS232 FRAMING ERROR FLAG NOT OFF
A4	RS232 OVER RUN ERROR FLAG NOT OFF
A5	RS232 PARITY ERROR FLAG NOT OFF
AA	INCREMENT PATTERN DATA LOOP BACK TEST (FROM RS232 OUTPUT TO RS232 INPUT) ERROR AT 110 BAUD
AB	" " " 150 BAUD
AC	" " " 300 BAUD
AD	" " " 600 BAUD
AE	" " " 1200 BAUD
AF	" " " 2400 BAUD
B0	" " " 4800 BAUD
B1	" " " 9600 BAUD
B2	INTERRUPT MODE DATA LOOPBACK TEST ERROR AT 9600 BAUD

Table E-5
ERROR CODES OF NVM TESTS IN DIAGNOSTICS MENU

Code	Description
C8	DATA ERROR WHEN DATA PATTERN IS FF
C9	00
CA	01
CB	02
CC	04
CD	08
CE	10
CF	20
DO	40
D1	80
D2	MARCHING PATTERN
D3	INCREMENTING PATTERN

E-5/(E-6 blank)

By Order of the Secretary of the Army:

Official:

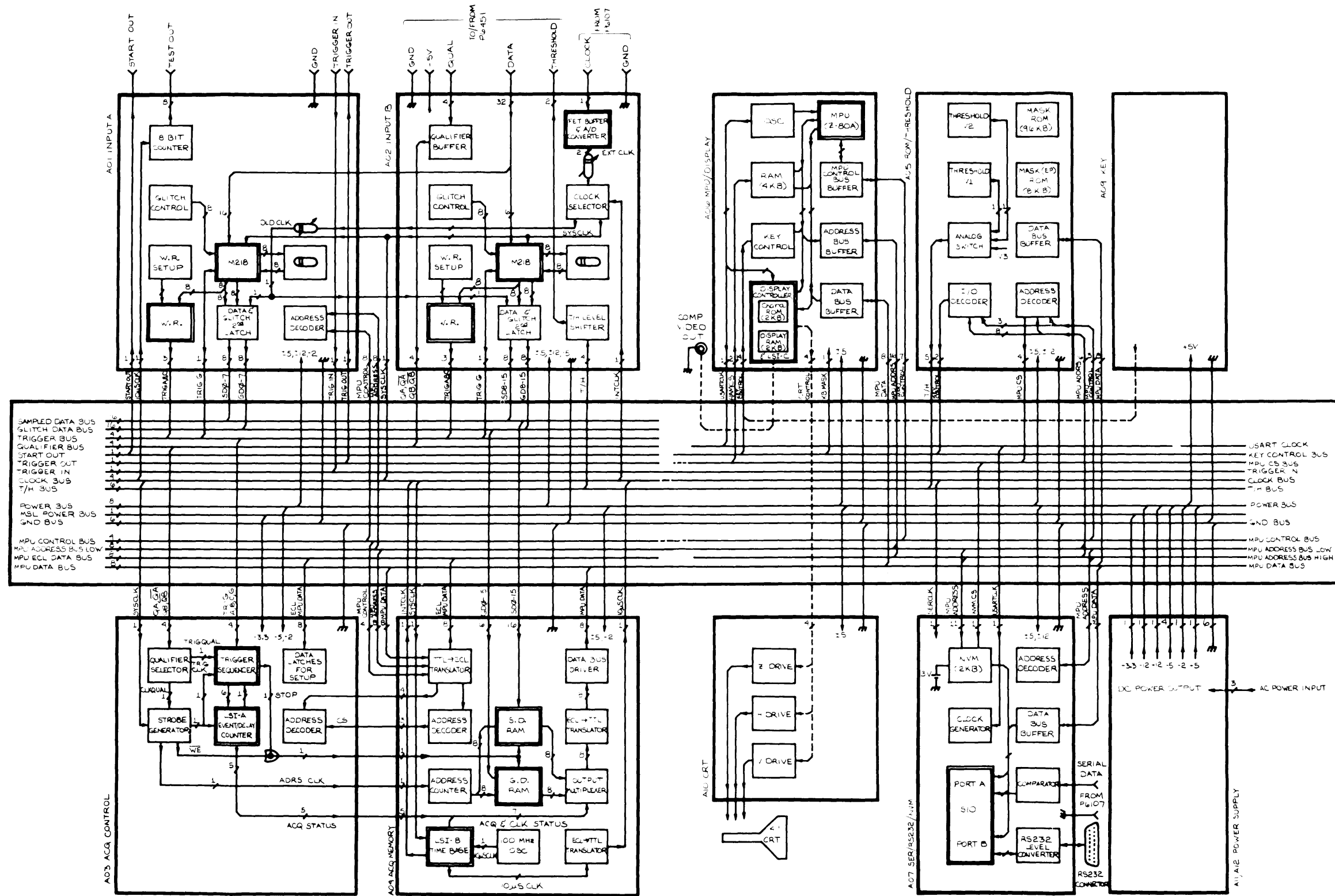
JOHN A. WICKHAM JR.
General, United States Army
Chief of Staff

DONALD J. DELANDRO
Brigadier General, United States Army
The Adjutant General

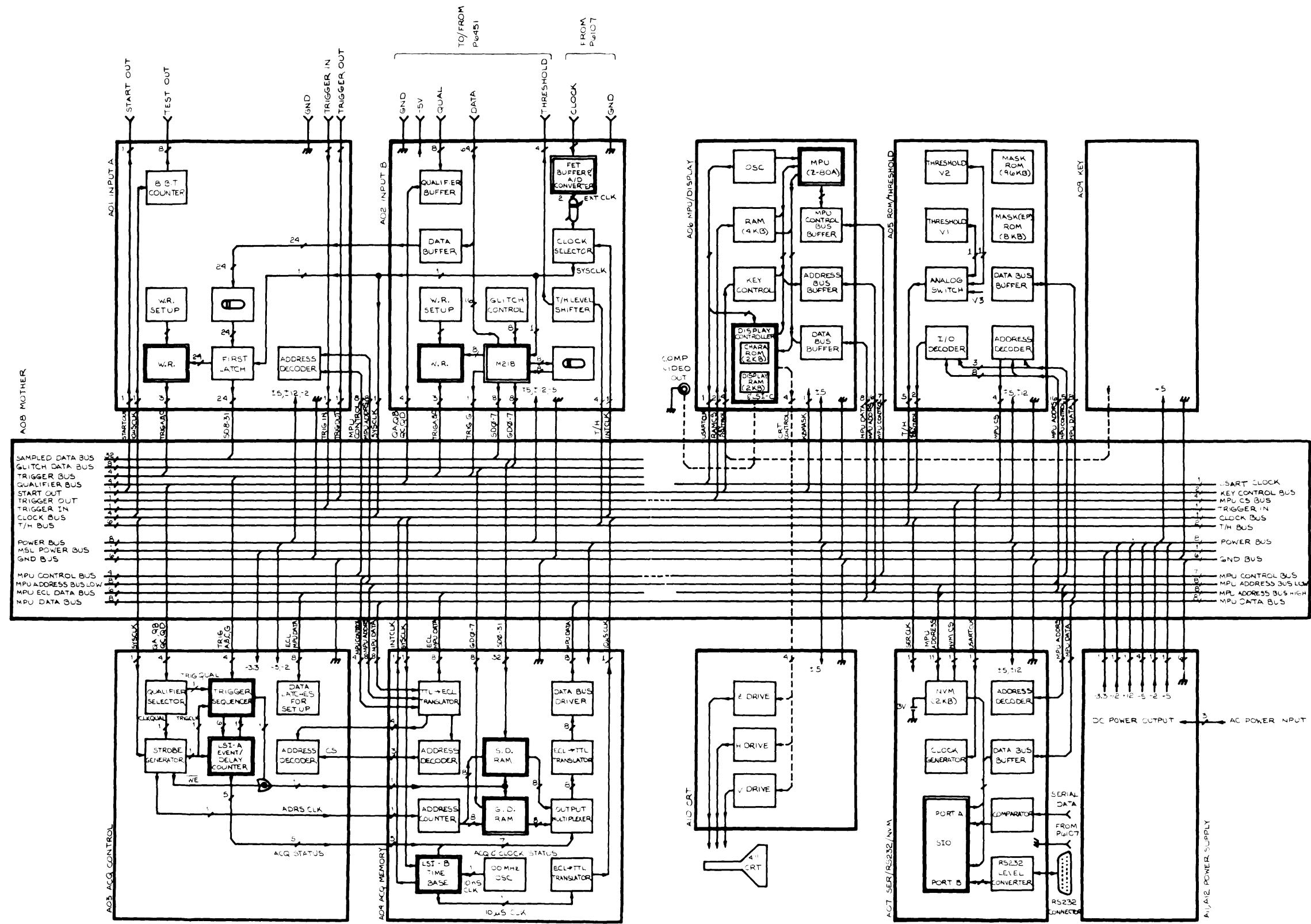
Distribution:

To be distributed in accordance with special list.

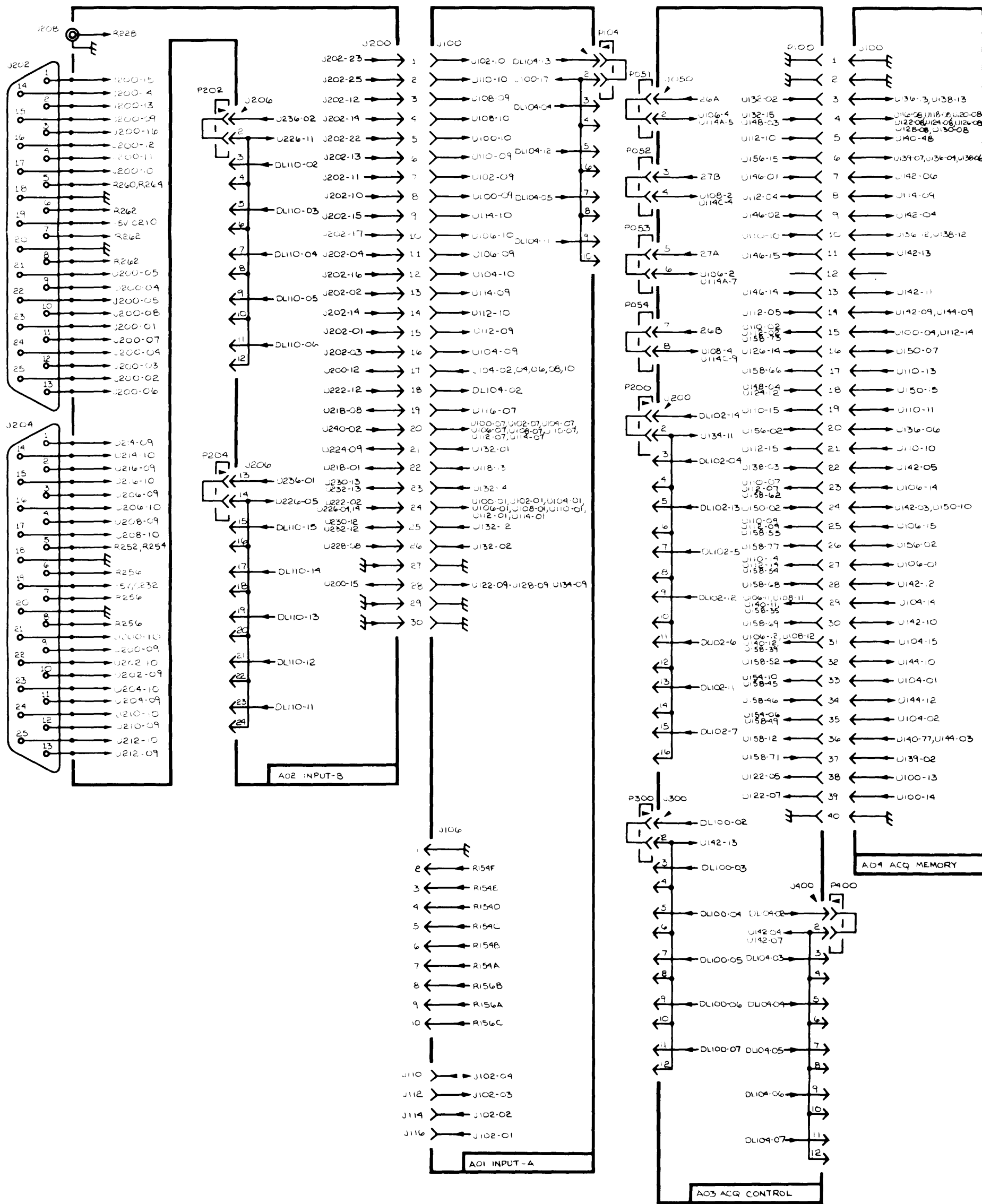
* U.S. GOVERNMENT PRINTING OFFICE: 1985-515-085:20165



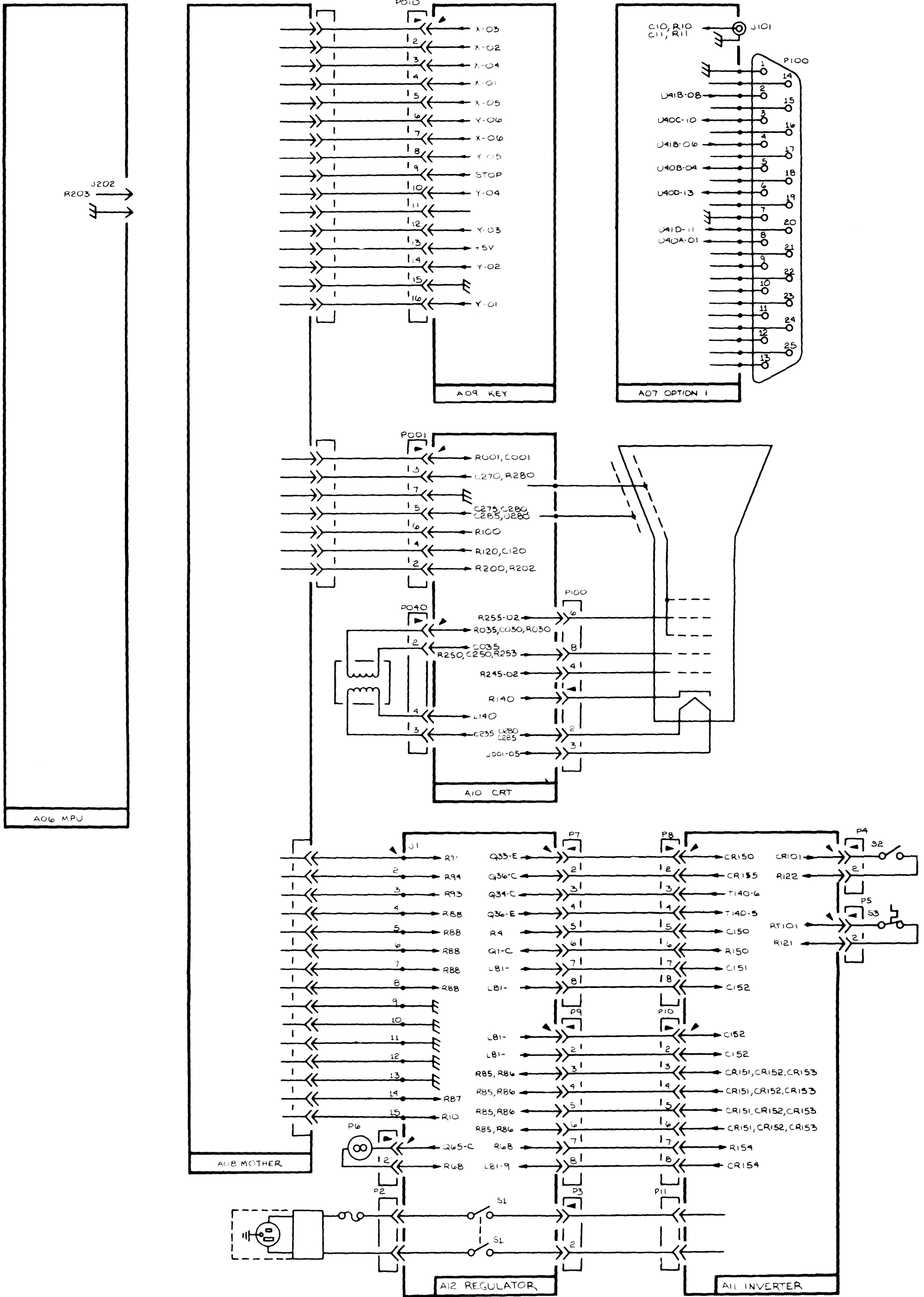
318 Block Diagram



338 Block Diagram



318 Acquisition Module Wiring Diagram



318/338 Mainframe Wiring Diagram

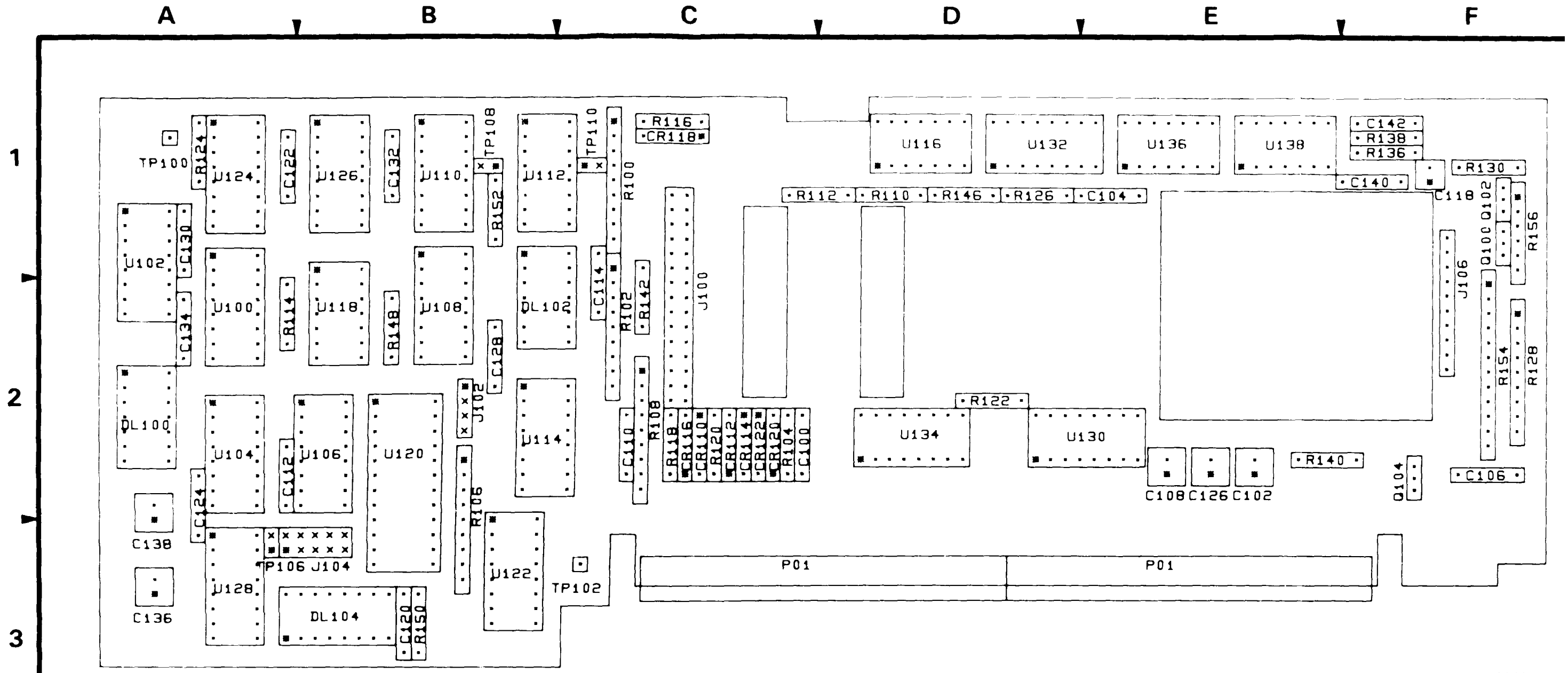
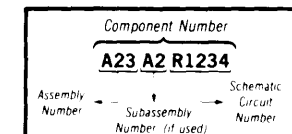


Figure 9-1. 318 A01 Input-A Board Component Locations.

4434-928

 Static Sensitive Devices
See Maintenance Section

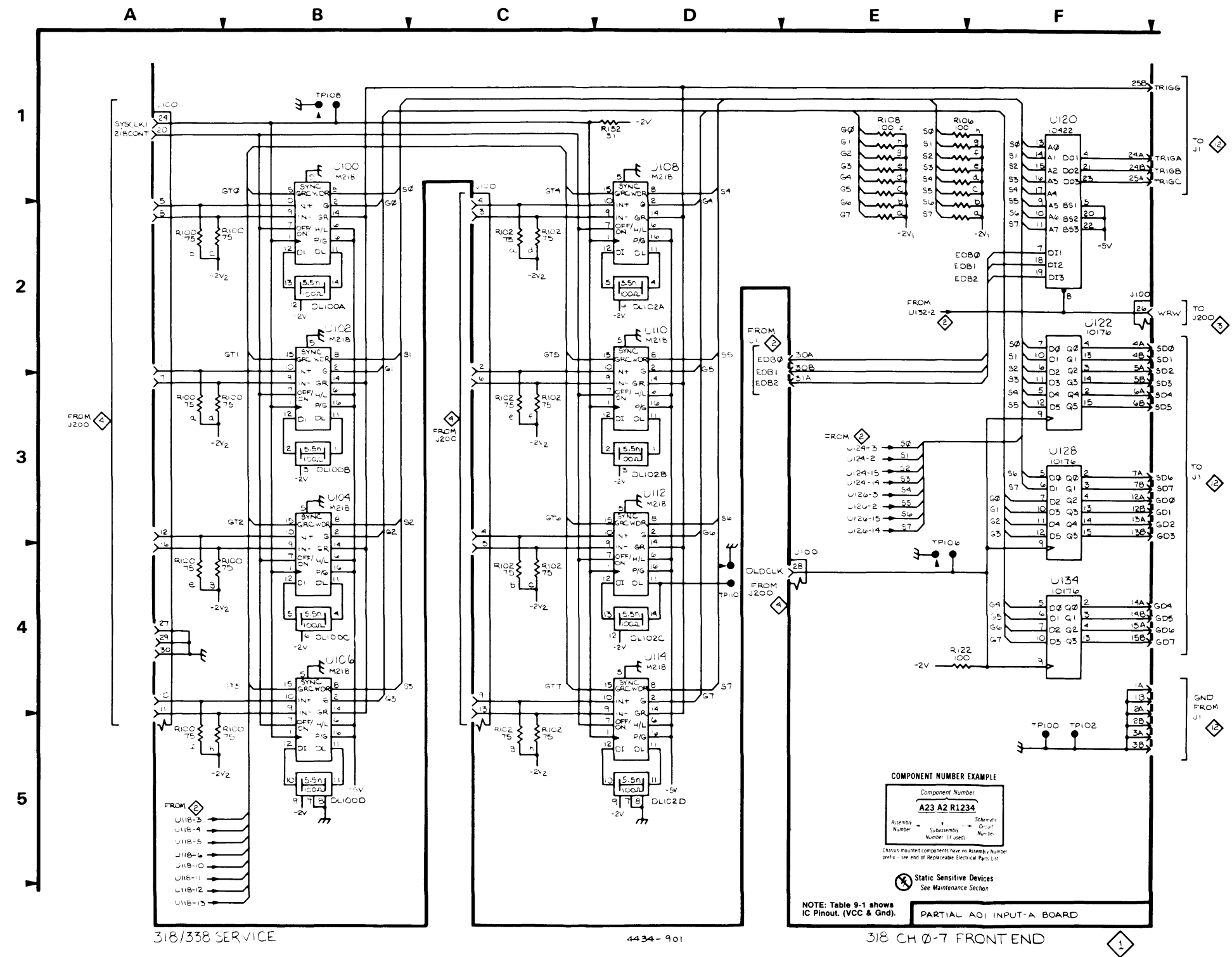
COMPONENT NUMBER EXAMPLE



Chassis-mounted components have no Assembly Number
prefix—see end of Replaceable Electrical Parts List

Table 9-2
318 CH 0-7 FRONT END -<1> INPUT-A BOARD, ASSEMBLY A01

CIRCUIT NUMBER	SCHEMATIC LOCATION	BOARD LOCATION	CIRCUIT NUMBER	SCHEMATIC LOCATION	BOARD LOCATION
DL100 A	B2	A2	R106E	E1	B2
DL100B	B3	A2	R 106F	E1	B2
DL100C	B4	A2	R106G	E1	B2
DL100D	B5	A2	R106H	E1	B2
DL102A	D2	B2	R108B	E1	C2
DL102B	D3	B2	R108C	E1	C2
DL102C	D4	B2	R108C	E1	C2
DL102D	D5	B2	R108D	E1	C2
J100	A1	C2	R108E	E1	C2
J100	E4	C2	R108F	E1	C2
J100	C1	C2	R108G	E1	C2
J100	F2	C2	R108H	E1	C2
R100A	A3	C1	R122	E4	D2
R100B	A2	C1	R152	D1	B1
R100C	A2	C1	TP100	F5	A1
R100D	A3	C1	TP102	F5	C3
R100E	A4	C1	TP106	E4	A3
R100OF	A5	C1	TP108	B1	B1
R100G	A4	C1	TP110	D4	C1
R100H	A5	C1	U100	B2	A2
R102A	C2	C2	U102	B3	A1
R102B	C4	C2	U104	B4	A2
R 102C	C4	C2	U106	B5	B2
R102D	C2	C2	U108	D2	B2
R102E	C3	C2	U110	D3	B1
R102F	C3	C2	U112	D4	B1
R102G	C5	C2	U114	D5	B2
R102H	C5	C2	U120	F1	B2
R106A	E1	B2	U122	F2	B3
R 106B	E1	B2	U128	F3	A3
R106C	E1	B2	U134	F4	D2
R 106D	E1	B2			



318/358 SERVICE

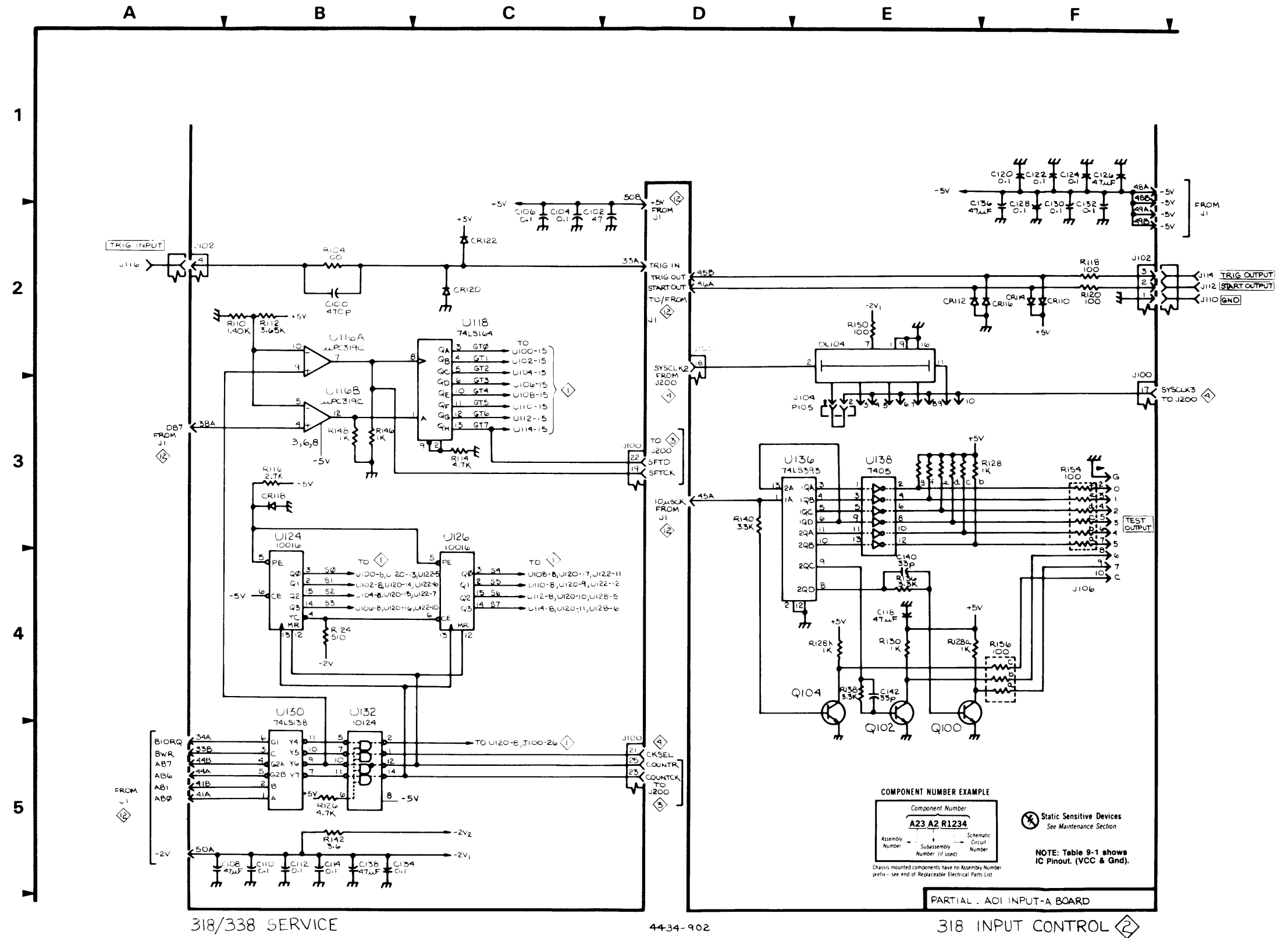
4434-901

318 CH 0-7 FRONT END

Table 9-3

318 INPUT CONTROL - INPUT-A BOARD, ASSEMBLY A01

CIRCUIT NUMBER	SCHEMATIC LOCATION	BOARD LOCATION	CIRCUIT NUMBER	SCHEMATIC LOCATION	BOARD LOCATION
C100	B2	C2	Q100	E4	F1
C102	D2	E2	Q102	E4	F1
C104	C2	E1	Q104	E4	F2
C106	C2	F2	R104	B2	C2
C108	B5	E2	R110	B2	D1
C110	B5	C2	R112	B2	C1
C112	B5	A2	R114	C3	A2
C114	B5	C1	R116	B3	C1
C118	E4	F1	R118	F2	C2
C120	F1	B3	R120	F2	C2
C122	F1	A1	R124	B4	A1
C124	F1	A2	R126	B5	D1
C126	F1	E2	R128A	E4	F2
C128	F1	B2	R128B	E3	F2
C130	F1	A1	R128C	E3	F2
C132	F1	B1	R128D	E3	F2
C134	B5	A2	R128E	E3	F2
C136	F1	A3	R128F	E3	F2
C138	B5	A3	R128G	E3	F2
C140	E4	F1	R130	E4	F1
C142	E4	F1	R136	E4	F1
CR110	F2	C2	R138	E4	F1
CR112	E2	C2	R140	D3	E2
CR114	F2	C2	R142	B5	C2
CR116	F2	C2	R146	B3	D1
CR118	B3	C1	R148	B3	B2
CR120	C2	C2	R150	E2	B3
CR122	C2	C2	R154	F3	F2
DL104	E2	B3	R156A	F4	F1
J100	D3	C2	R156B	F4	F1
J100	D5	C2	R156C	F4	F1
J100	F2	C2	U116A	B2	D1
J100	D2	C2	U116B	B3	D1
J102	A2	B2	U118	C3	B2
J102	F2	B2	U124	B4	A1
J104	E3	B3	U126	C4	B1
J106	F4	F2	U130	B5	E2
P105	E3	Harmonica to J104	U132	B5	D1
			U136	E3	E1
			U138	E3	E1



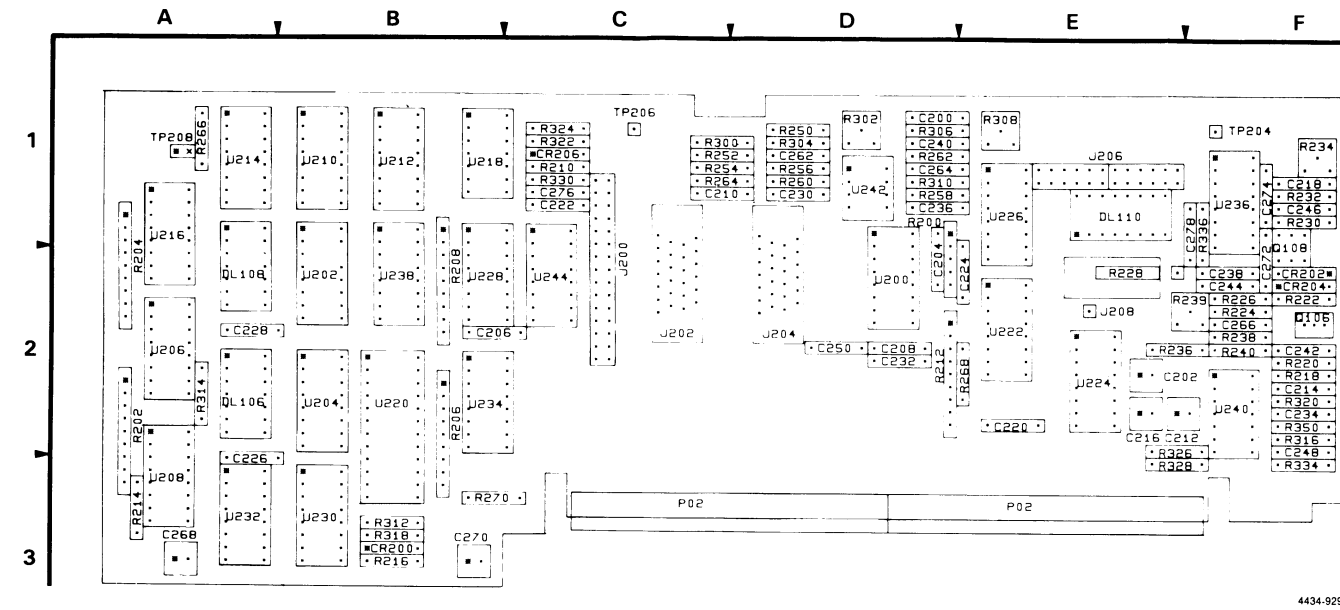
318/338 SERVICE

44-34-902

318 INPUT CONTROL

Table 9-4
318 CH 8-15 FRONT END <3> -INPUT -B BOARD, ASSEMBLY A02

CIRCUIT NUMBER	SCHEMATIC LOCATION	BOARD LOCATION	CIRCUIT NUMBER	SCHEMATIC LOCATION	BOARD LOCATION
C200	A1	D1	R206D	E2	B2
C202	D5	F2	R206E	E2	B2
C204	D5	D2	R206F	E2	B2
C206	E5	B2	R206G	E2	B2
C208	E5	D2	R206H	E2	B2
C270	E5	B3	R208A	E2	B2
C276	E5	C1	R208B	E2	B2
DL106A	B2	A2	R208C	E2	B2
DL106B	B3	A2	R208D	E2	B2
DL106C	B4	A2	R208E	E2	B2
DL106D	B5	A2	R208F	E2	B2
DL108A	C2	A2	R208G	E2	B2
DL108B	C3	A2	R208H	E2	B2
DL108C	C4	A2	R210	E3	C1
DL108D	C5	A2	R212F	D4	D2
J200	B5	C2	R212G	D4	D2
J200	D3	C2	R266	E5	A1
J200	D2	C2	R270	F3	B3
J200	D4	C2	R312	F2	B3
J204	C1	D2	R314	C5	A2
J204	A1	D2	R138	E4	B3
R202A	A2	A2	R326	A1	E2
R202B	A2	A2	TP204	F4	F1
R202C	A3	A2	TP206	F4	C1
R202D	A3	A2	TP208	D2	A1
R202E	A4	A2	U202	B2	B2
R202F	A4	A2	U204	B2	B2
R202G	A5	A2	U206	B3	A2
R202H	A5	A2	U208	B4	A3
R204A	C2	A2	U210	C2	B1
R204B	C2	A2	U212	C3	B1
R204C	C3	A2	U213	C3	A1
R204D	C3	A2	U216	C4	A1
R204E	C4	A2	U218	E3	B1
R204F	C4	A2	U220	F1	B2
R20G	C5	A2	U228	F3	B2
R204H	C5	A2	U230	E4	B3
R206A	E2	B2	U232	E4	A3
R206B	E2	B2	U234	F3	B2
R206C	E2	B2	U238	F4	B2



4434-929

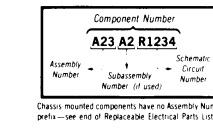
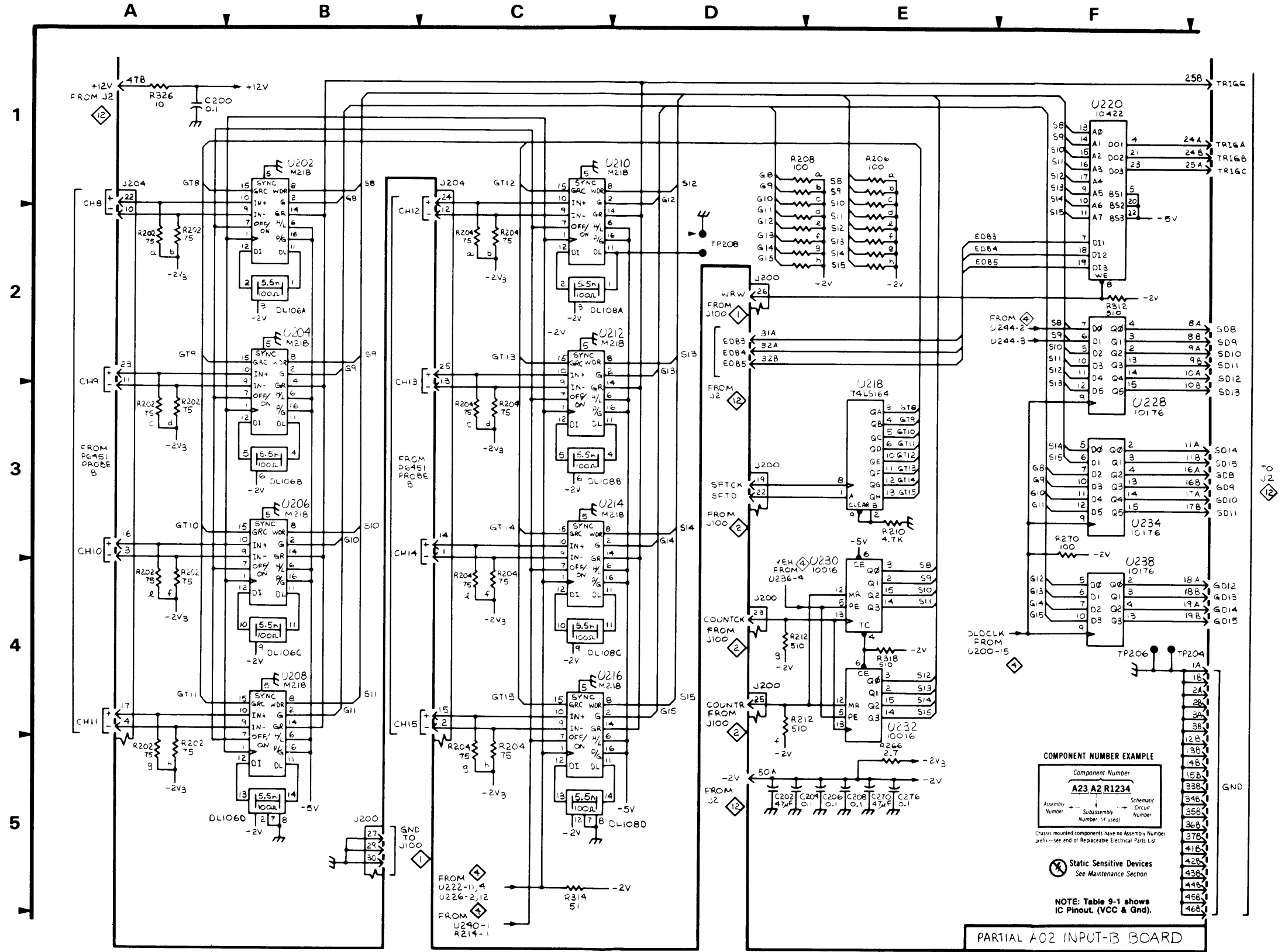


Figure 9-2. 318 A02 Input-B Board Component Locations

Figure 9-2. 318 A02 Input-B Board Component Locations.



318/338 SERVICE

4434-903

318 CH 8-15 FRONT END

COMPONENT NUMBER EXAMPLE

Component Number
A23 A2 R1234
Assembly Number
Subassembly Number (if used)
Circuit Number
Number (if used)

Chassis mounted components have no Assembly Number prefix - see end of Replaceable Electrical Parts List

Static Sensitive Devices See Maintenance Section

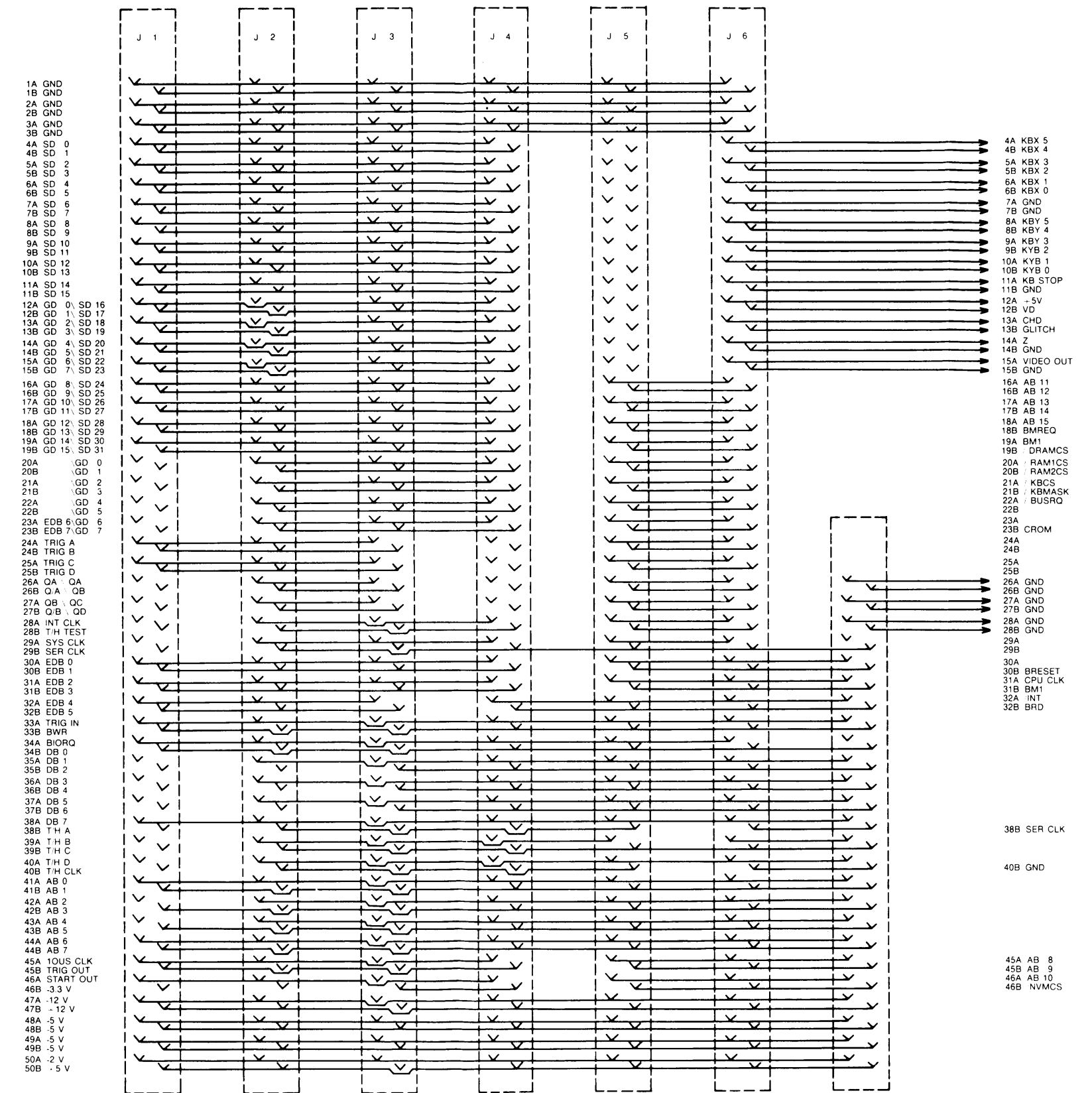
NOTE: Table 9-1 shows IC Pinout. (VCC & Gnd).

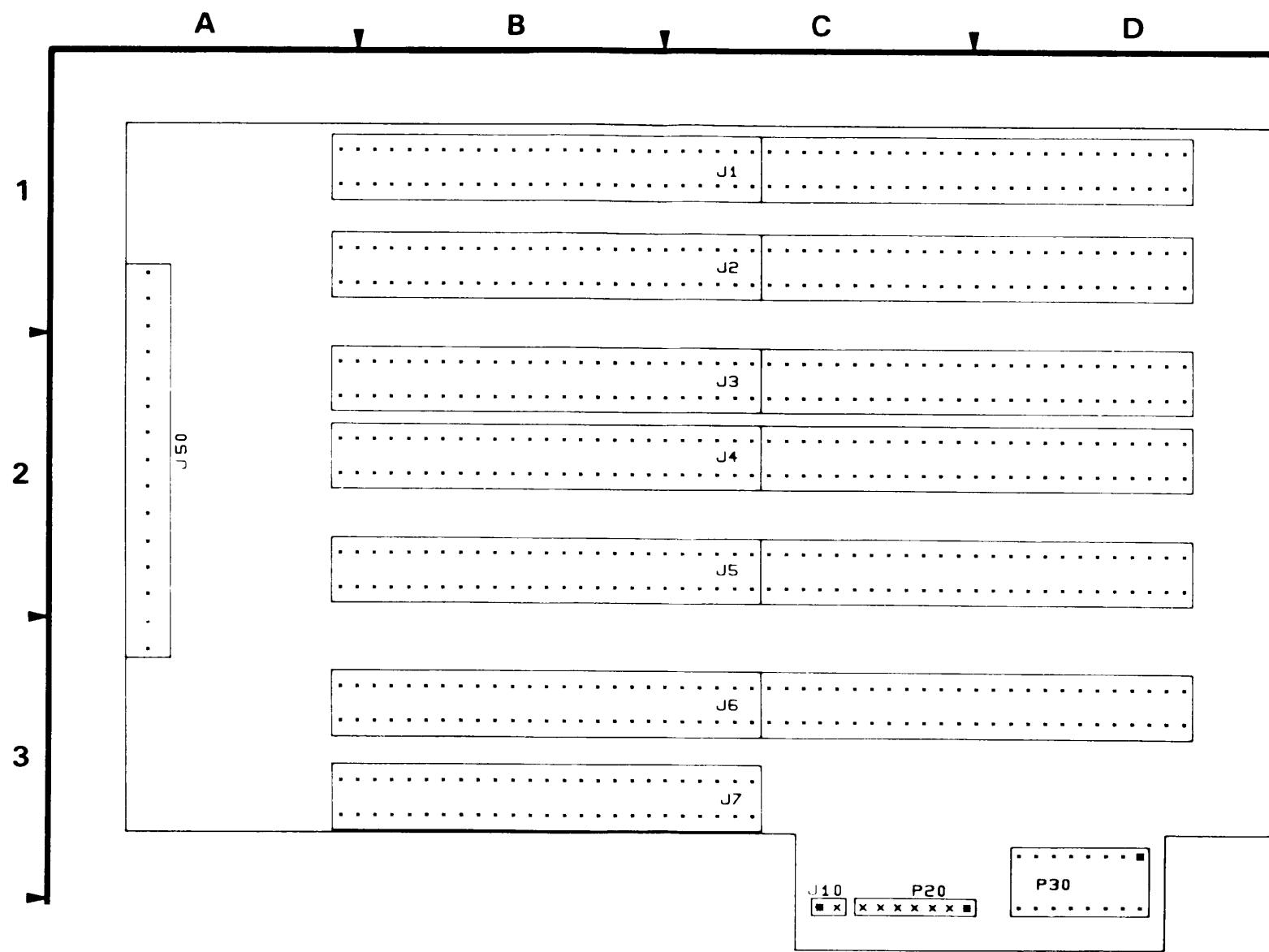
PARTIAL A02 INPUT-B BOARD

Table 9-5

318 EXT CLOCK CIRCUIT O			INPUT-B BOARD, ASSEMBLY A02		
CIRCUIT NUMBER	SCHEMATIC LOCATION	BOARD LOCATION	CIRCUIT NUMBER	SCHEMATIC LOCATION	BOARD LOCATION
C210	A2	C1	R212D	C2	D2
C212	A5	E2	R212E	D5	D2
C214	A5	F2	R212H	B3	D2
C216	C2	E2	R214	D2	A3
C218	C2	F1	R216	C3	B3
C220	C2	E2	R218	B3	F2
C222	C2	C1	R220	B3	F2
C224	C2	E2	R222	B4	F2
C226	C2	A3	R224	B4	F2
C228	D2	A2	R226	B4	F2
C230	A5	D1	R228	A4	E2
C232	F2	D2	R230	B4	F1
C234	B5	F2	R232	B4	F1
C236	F3	D1	R234	B5	F1
C238	C5	F2	R236	B5	E2
C240	F4	D1	R238	B5	F2
C242	B3	F2	R239	B5	F2
C244	B4	F2	R240	B5	F2
C246	B4	F1	R250	F3	D1
C248	C5	F2	R252	F3	C1
C250	A2	D2	R254	E3	C1
C262	F2	D1	R256	F3	D1
C264	F4	D1	R258	F4	D1
C268	D2	A3	R260	F4	D1
C272	B4	F2	R262	F4	D1
C274	B5	F1	R268	D3	E2
*C278	C4	F1	R300	F3	C1
*C300	C5	F1	R302	F3	D1
CR200	C3	B3	R304	F2	D1
CR202	B4	F2	R306	F4	D1
CR204	B4	F2	R308	F4	E1
CR206	D5	C1	R310	F4	D1
DL110	D4	E1	R316	B5	F2
J200	A3	C2	R320	D2	F2
J200	B1	C2	R322	D5	C1
J200	E2	C2	*R324	D5	C1
J200	E4	C2	R328	A5	E3
J200	E3	C2	R330	D3	C1
J200	E1	C2	R334	C5	F2
J202	E4	C2	R336	C4	F1
J202	F4	C2	R338	B4	F1
J202	A1	C2	R350	B5	F2
J204	E3	D2	U200A	F5	D2
J204	F2	D2	U200B	F3	D2
J206	C4	E1	U200C	F2	D2
J208	A4	E2	U222B	E3	E2
P202	C4	Harmonica	U224	C3	E2
		to DL110	U226A	E4	E1
P204	C4	Harmonica	U226B	E5	E1
		to DL110	U236A	C4	F1
Q106	B3	F2	U236B	C5	F1
Q108A	B4	F1	U240A	D2	F2
Q108B	B4	F1	U240B	D2	F2
R200A	F5	D1	U240C	D5	F2
R200B	F5	D1	U242A	F3	D1
R200C	F3	D1	U242B	F4	D1
R200D	F3	D1	U244A	E3	C2
R212A	D3	D2	U244B	E5	C2
R212B	D3	D2	U244C	E5	C2
R212C	D3	D2		D2	

*SEE PARTS LIST FOR SERIAL NUMBER RANGES.



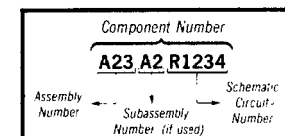


4434-934

Figure 9-3. 318/338 A03 ACQ Control Board Component Locations.

⊗ Static Sensitive Devices
See Maintenance Section

COMPONENT NUMBER EXAMPLE

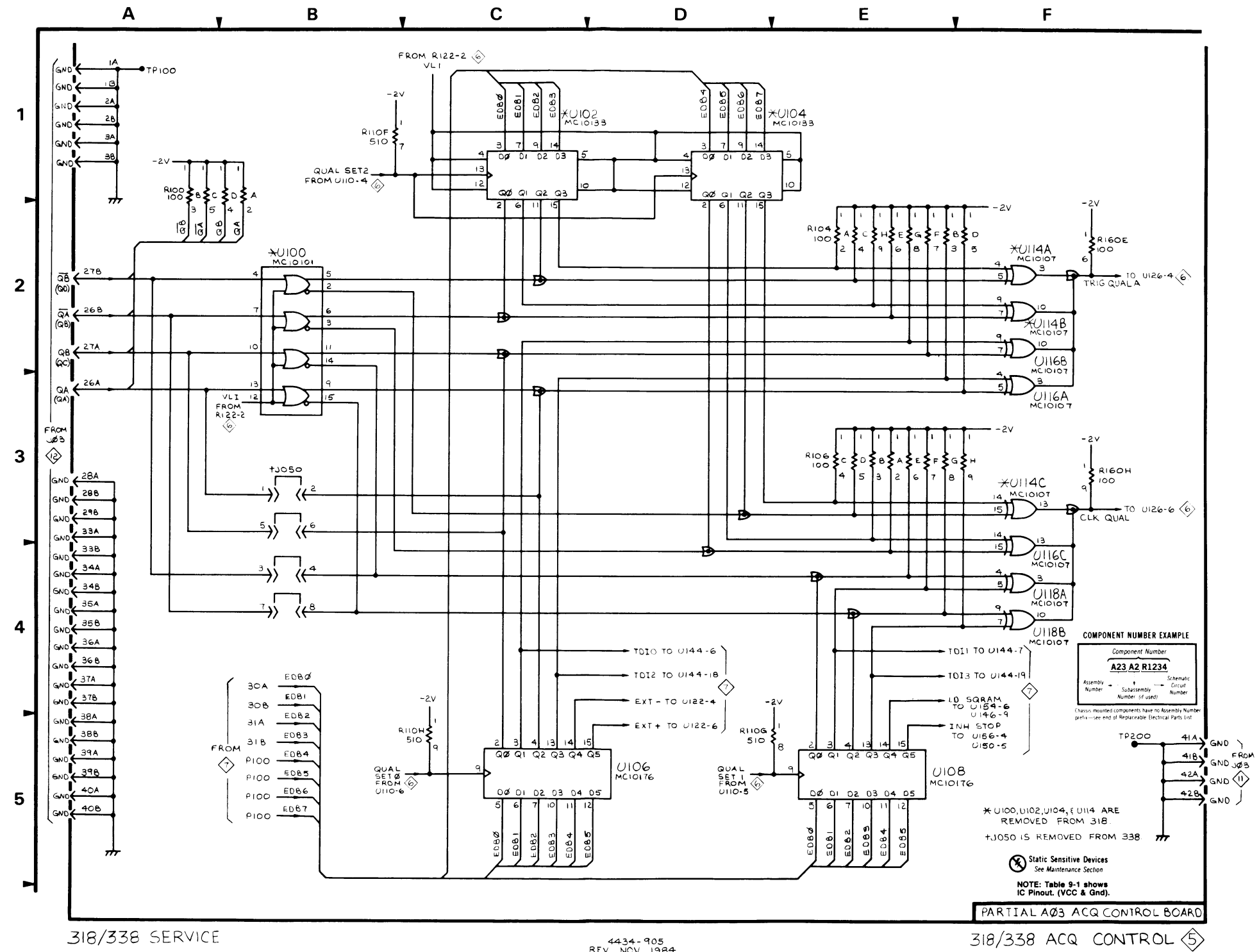


Chassis-mounted components have no Assembly Number prefix - see end of Replaceable Electrical Parts List

Table 9-6
318/338 ACQUISITION CONTROL BOARD <5> - ASSEMBLY A03

CIRCUIT NUMBER	SCHEMATIC LOCATION	BOARD LOCATION	CIRCUIT NUMBER	SCHEMATIC LOCATION	BOARD LOCATION
J050 *	B3	D2	R110F	B1	E1
R100A	A1	D2	R110G	E5	E1
R100B	A1	D2	R110H	C5	E1
R100C	A1	D2	R160E	F2	E1
R100D	A1	D2	R160H	F3	E1
R104A	E2	E2	TP100	A1	E1
R104B	E2	E2	TP200	F5	C1
R104C	E2	E2	U100**	B2	D2
R104	E2	E2	U103**	C1	F1
R104E	E2	E2	U104**	D1	F2
R104F	E2	E2	U106	C5	F2
R104G	E2	E2	U108	E5	F2
R104H	E2	E2	U114A**	F2	E2
R106A	E3	E2	U114B**	F2	E2
R106B	E3	E2	U114C**	F3	E2
R106C	E3	E2	U116A	F2	E2
R106D	E3	E2	U116B	F2	E2
R106E	E3	E2	U116C	F3	E2
R106F	E3	E2	U118A	F4	E2
R106G	E3	E2	U118B	F4	E2
R106H	E3	E2			

* 318 only
** 318 only



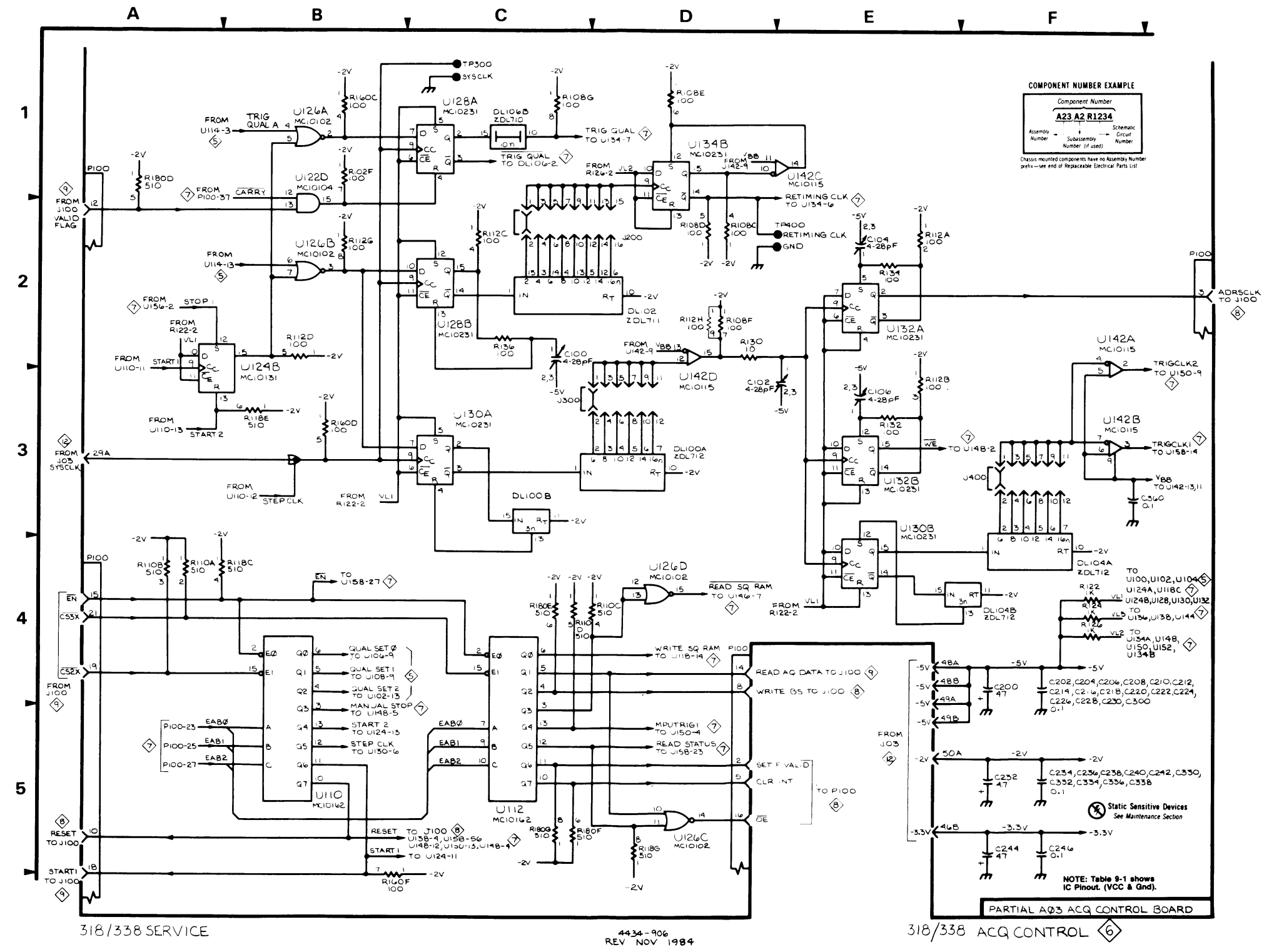
318/338 SERVICE

4434-905
REV NOV 1984

318/338 ACQ CONTROL

Table 9-7
318/338 ACQUISITION CONTROL BOARD <6> - ASSEMBLY A03

CIRCUIT NUMBER	SCHEMATIC LOCATION	BOARD NUMBER	CIRCUIT LOCATION	SCHEMATIC LOCATION	BOARD NUMBER
C100	C2	D1	R108E	D1	C2
C102	E3	D1	R108F	D2	C2
C104	E2	C1	R108G	C1	C2
C106	E3	C1	R110A	A4	E1
C200	F4	E2	R2110B	A4	E1
C202	F4	E2	R110C	D4	E1
C204	F4	E2	R110D	C4	E1
C206	F4	E1	R112A	E2	D2
C208	F4	E2	R112B	E3	D2
C210	F4	E1	R112C	C2	D2
C212	F4	D2	R112D	B2	D2
C214	F4	F1	R112G	B2	D2
C216	F4	F1	R118C	B4	D2
C218	F4	C1	R118E	B3	D2
C220	F4	B1	R118G	D5	D2
C222	F4	B3	R122	F4	E1
C224	F4	C1	R124	F4	B2
C226	F4	B2	R126	F4	B2
C228	F4	C1	R130	D2	C1
C230	F4	A1	R132	E3	C1
C232	F5	E2	R134	E2	C1
C234	F5	E2	R136	C2	C1
C236	F5	A2	R160C	B1	E1
C238	F5	C2	R160D	B3	E1
C240	F5	B1	R160F	B5	E1
C242	F5	A1	R180D	A1	B2
C244	F5	E2	R180E	C4	B2
C246	F5	B3	R180E	C5	B2
C300	F4	D1	R180G	C5	B2
C330	F5	B2	TP300	C1	E1
C332	F5	C2	TP400	E2	C1
C334	F5	D2	U110	B5	E1
C336	F5	E1	U112	C5	F1
C338	F5	C2	U122D	B1	C1
C360	F3	B3	U124D	A2	D1
DL100A	D3	D2	U126A	B1	E1
DL100B	C3	D2	U126B	B2	E1
DL102	D2	D1	U126C	D5	E1
DL104A	F4	C2	U126D	D4	E1
DL104B	F4	C2	U128A	C1	D1
DL106B	C1	C2	U128B	C2	D1
J200	D2	D1	U130A	C3	D2
J300	C3	C2	U130B	E4	D2
J400	F3	C2	U132A	E2	C1
P100	A1	B1	U132B	E3	C1
P100	F2	B1	U134	D1	C2
P100	A4	B1	U142A	F2	B3
R102F	B1	C2	U142B	F3	B3
R108C	D2	C2	U142C	E1	B3
R108D	D2	C2	U142D	D3	B3

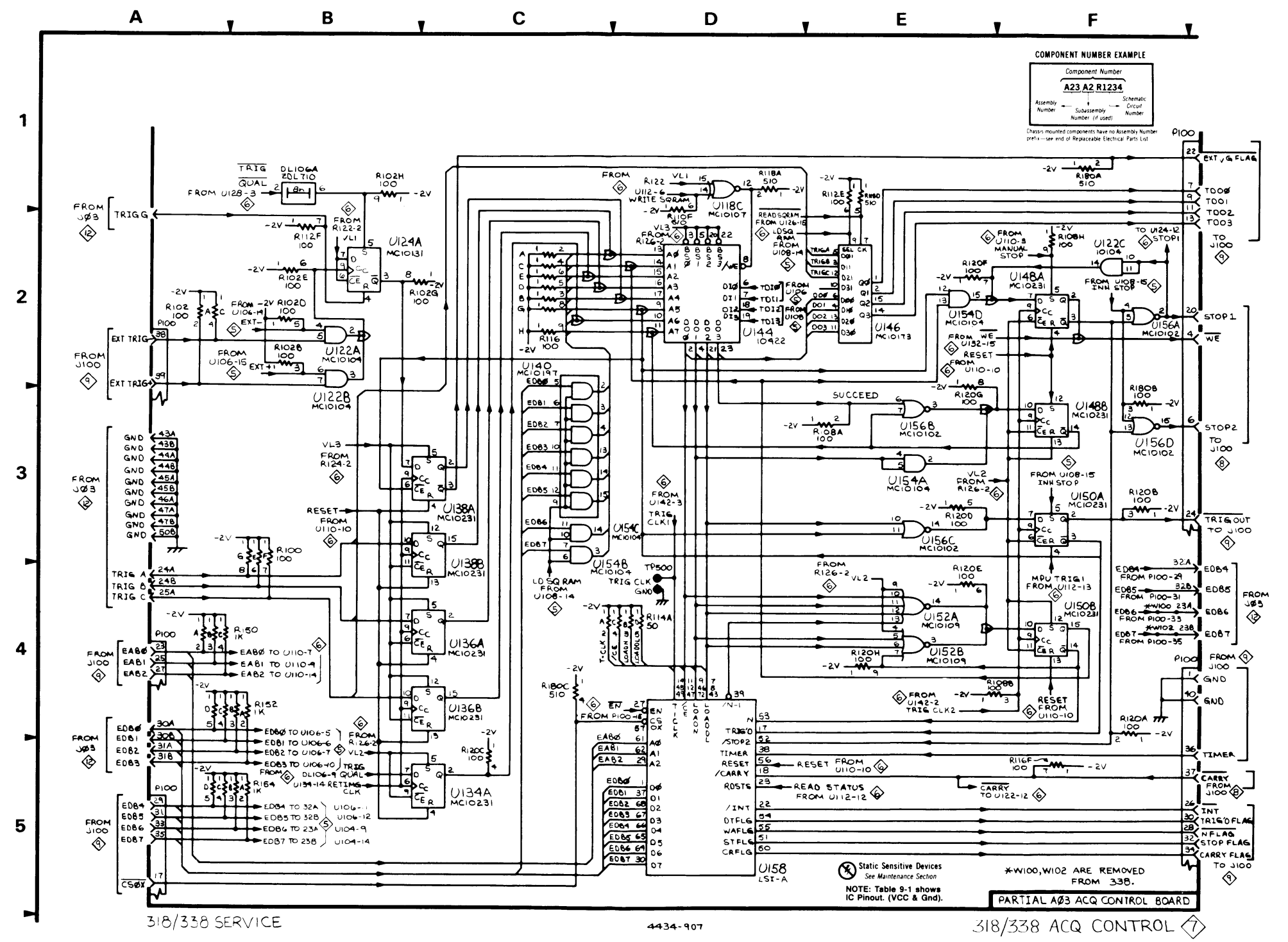


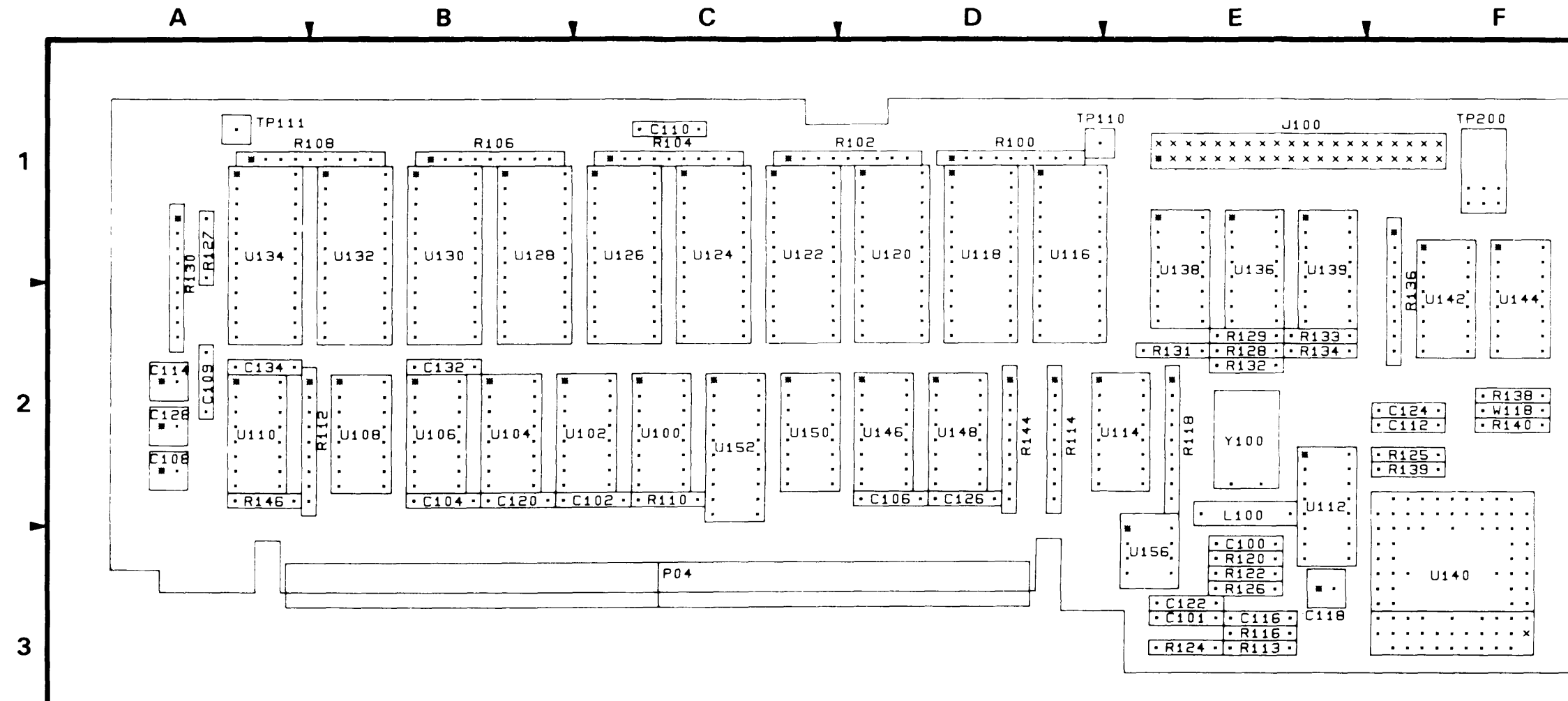
318/338 ACQ CONTROL

Table 9-8
318/338 ACQUISITION CONTROL BOARD <7> - ASSEMBLY A03

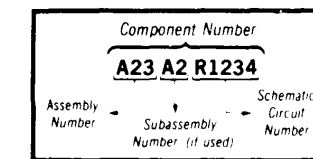
CIRCUIT NUMBER	SCHEMATIC LOCATION	BOARD LOCATION	CIRCUIT NUMBER	SCHEMATIC LOCATION	BOARD LOCATION
DL106A	B1	C2	R150B	A4	A2
P100	A4	B1	R150C	A4	A2
P100	F1	B1	R152A	A4	E2
P100	A5	B1	R152B	A4	E2
P100	F4	B1	R152C	A4	E2
P100	A2	B1	R152D	A4	E2
R100E	B3	D2	R154A	A5	E2
R100F	B3	D2	R154B	A5	E2
R100G	B3	D2	R154C	A5	E2
R102A	B2	C2	R154D	A5	E2
R102B	B2	C2	R180A	F1	B2
R102C	A2	C2	R180B	F3	B2
R102D	B2	C2	R180C	C4	B2
R102E	B2	C2	TP500	D4	A1
R102G	B2	C2	U118C	D1	E2
R102H	B1	C2	U122A	B2	C1
R108A	F3	C2	U122B	B2	C1
R108B	F4	C2	U122C	F2	C1
R108H	F2	C2	U134A	C5	C2
R110F	D2	E1	U136A	C4	B1
R112E	E1	D2	U136B	C4	B1
R112F	B2	D2	U138A	C3	B1
R114A	D4	A2	U138B	C3	B1
R114B	D4	A2	U140	C3	A2
R114C	D4	A2	U144	D2	B2
R114D	D4	A2	U146	E2	C1
R116A	C2	A2	U148A	F2	B2
R116B	C2	A2	U148B	F3	B2
R116C	C2	A2	U150A	F3	B3
R116D	C2	A2	U150B	F4	B3
R116E	C2	A2	U152A	E4	B3
R116F	F5	A2	U152B	E4	B3
R116H	C2	A2	U154A	F3	A2
R118A	D1	D2	U154B	C3	A2
R118D	E1	D2	U154C	C3	A2
R120A	F4	B2	U154D	E2	A2
R120B	F3	B2	U156A	F2	B2
R120C	C5	B2	U156B	F3	B2
R120D	F3	B2	U156C	F3	B2
R120E	E4	B2	U156D	F3	B2
R120F	E2	B2	U158	D5	A2
R120G	E2	B2	W100 *	F3	D2
R120H	E4	B2	W102 *	F3	D2
R150A	A4	A2			

* 318 only





4434-931

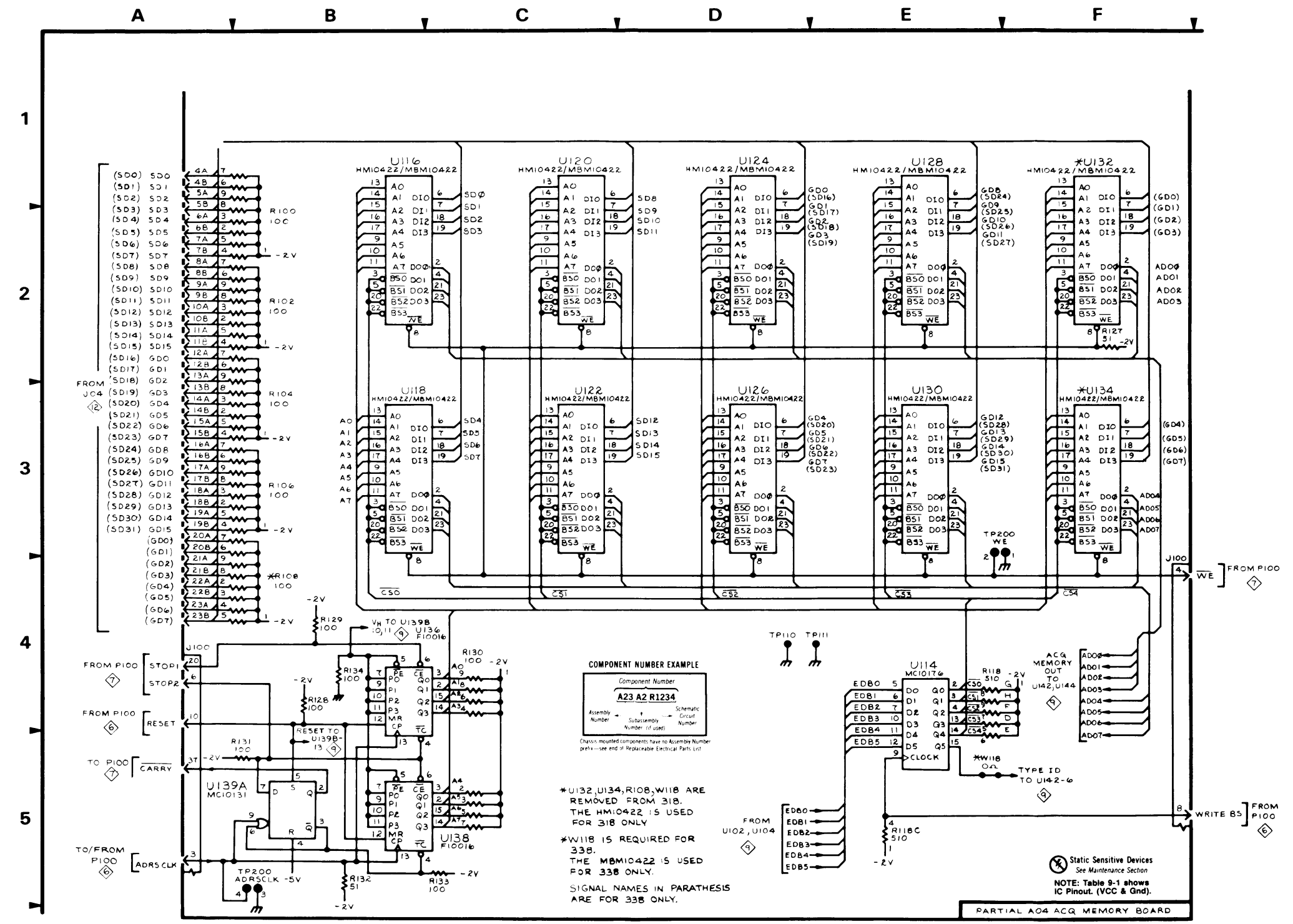


Chassis mounted components have no Assembly Number prefix—see end of Replaceable Electrical Parts List

Table 9-9
318/338 ACQUISITION MEMORY BOARD <8> - ASSEMBLY A04

CIRCUIT NUMBER	SCHEMATIC LOCATION	BOARD LOCATION	CIRCUIT NUMBER	SCHEMATIC LOCATION	BOARD LOCATION
J100	F4	E1	R134	B4	E2
J100	A4	E1	TP110	D4	D1
R100	B2	D1	TP111	E4	A1
R102	B2	D1	TP200	E3	F1
R104	B3	C1	U114	E4	E2
R106	B3	B1	U116	B2	D1
R108 *	B4	A1	U118	B3	D1
R118C	E5	E2	U120	C2	D1
R118D	E4	E2	U122	C3	C1
R118E	E4	E2	U124	D2	C1
R118F	E4	E2	U126	D3	C1
R118G	E4	E2	U128	E2	B1
R118H	E4	E2	U130	E3	B1
R127	F2	A1	U132 *	F2	B1
R128	B4	E2	U134 *	F3	A1
R129	B4	E2	U136	B4	E1
R130	C4	A1	U138	B5	E1
R131	B5	E2	U139A	B5	E1
R132	B5	E2	W118 *	E5	F2
R133	C5	E2			

* 338 only



318/338 SERVICE

4434-908

318/338 ACQUISITION MEMORY & ADDRESS COUNTER <8>

Table 9-10
318/338 ACQUISITION MEMORY BOARD <9> - ASSEMBLY A04

CIRCUIT NUMBER	SCHEMATIC LOCATION	BOARD LOCATION	CIRCUIT NUMBER	SCHEMATIC LOCATION	BOARD LOCATION
C100	A1	E3	R122	B1	E3
C101	A1	E3	R124	B1	E3
C102	F1	C2	R125	B1	F2
C104	F1	B2	R126	B1	E3
C106	F1	D2	R136	D2	F2
C108	F1	A2	R138	E3	F2
C109	F2	A2	R139	D3	F2
C110	F2	C1	R140	D3	F2
C112	F2	F2	R144A	E2	D2
C114	F2	A2	R144B	E2	D2
C116	F2	E3	R144C	E2	D2
C118	F2	E3	R144D	E2	D2
C120	F1	B2	R144E	E3	D2
C122	F1	E3	R144F	E3	D2
C124	F1	F2	R144G	E3	D2
C126	F1	D2	R144H	E3	D2
C128	F1	A2	R146	E4	A2
C132	F1	B2	TP200	F4	F1
C134	F1	A2	U100	A2	C2
J100	C2	E1	U102	A3	C2
J100	D3	E1	U104	A4	B1
J100	D4	E1	U106	A4	B1
J100	C3	E1	U108	A5	B1
L100	A1	E2	U110	B5	A2
R110	A2	C2	U112A	B1	E2
R112A	B5	B2	U112B	B1	E2
R112B	B5	B2	U112C	B2	E2
R112C	B5	B2	U112D	F4	E2
R112D	B5	B2	U139B	E5	E1
R112E	B4	B2	U140	D4	F3
R112F	B4	B2	U142	E2	F2
R112G	B4	B2	U144	E3	F2
R122H	B4	B2	U146	F2	D2
R113	B5	E3	U148	F4	D2
R114	B3	D2	U150	F4	C2
R116	B2	E3	U152	F2	C2
R118A	B2	E2	U156	F5	E3
R118B	B2	E2	Y100	B1	E2
R120	A1	E3			

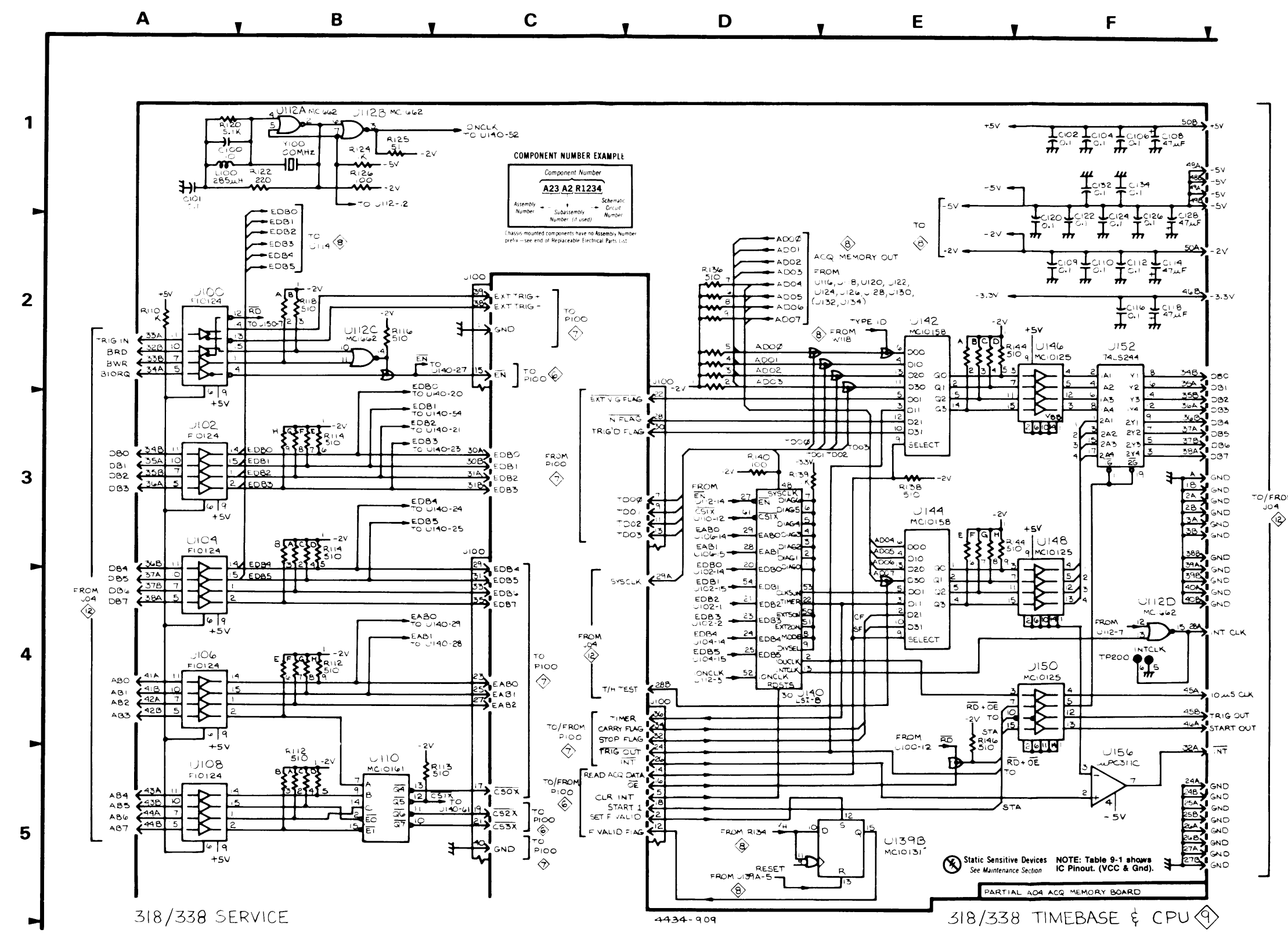


Table 9-11
318/338 ROM/THRESHOLD BOARD <10> - ASSEMBLY A05

CIRCUIT NUMBER	SCHEMATIC LOCATION	BOARD LOCATION	CIRCUIT NUMBER	SCHEMATIC LOCATION	BOARD LOCATION
C070	D3	E1	R118	F2	E3
C072	D3	E1	R120	F2	E3
C082	D5	E1	R125	F4	F3
C300	B5	F2	R127	F4	F3
C301	B5	F3	R130	F5	F1
C350	E5	E3	R40	A3	B2
C400	B5	A2	TP064	B4	F1
C401	B5	A1	TP078	E2	E1
C402	B5	B1	TP088	E4	E1
C403	B5	C1	U001A	B1	C2
C404	B5	D1	U001B	B1	C2
C405	B5	E1	U005A	B2	C2
C406	B5	E1	U005B	B2	C2
C407	B5	F1	U020	C1	A1
C408	B5	E3	U021	D1	B1
C409	B5	A2	U022	D1	B1
C410	B5	C2	U023	E1	B1
CR70	C3	E1	U024	E1	C1
CR72	D3	E1	U025	F1	C1
CR80	C5	E1	U026	F1	D1
CR82	D5	E1	U045	A4	B2
J26	F1	D1	U050A	B3	C2
P26	F1	Harmonica to J26	U050B	B4	C2
			U050C	B4	C2
R026	F1	D1	U070	C3	D1
R060	B4	F1	U075A	D3	E1
R062	B4	F1	U074B	D3	E1
R064	B4	F1	U080	C5	E1
R066	B4	F1	U085A	D5	F1
R068	C4	F1	U085B	D5	F1
R069	C4	F1	*U090A	C4	D2
R070	D3	E1	*U090B	D3	D2
R072	D3	E1	U092A	D4	D2
R074	C3	E1	U092B	D4	D2
R076	C4	E1	U100	E3	E2
R078	C4	E1	U105	E5	D2
R080	D5	E1	U105D	A1	D2
R082	D5	E1	U110	F2	E2
R084	C5	E1	U111	F3	E2
R086	C5	E1	U112	F4	E2
R088	C5	E1	U113	F4	F2
R100A	E2	D2	U114	F5	F2
R100B	E2	D2	U120	F2	E3
R100C	E4	D2	U125	F4	E3
R100D	E4	D2	U130A	F5	F1
R100E	E4	D2	U130B	B4	F1
R100F	C4	D2	U150B	B4	B2
R100G	E3	D2	U150C	B4	B2
R110	E3	E1	VR60	B4	F1
R115	E4	E2			

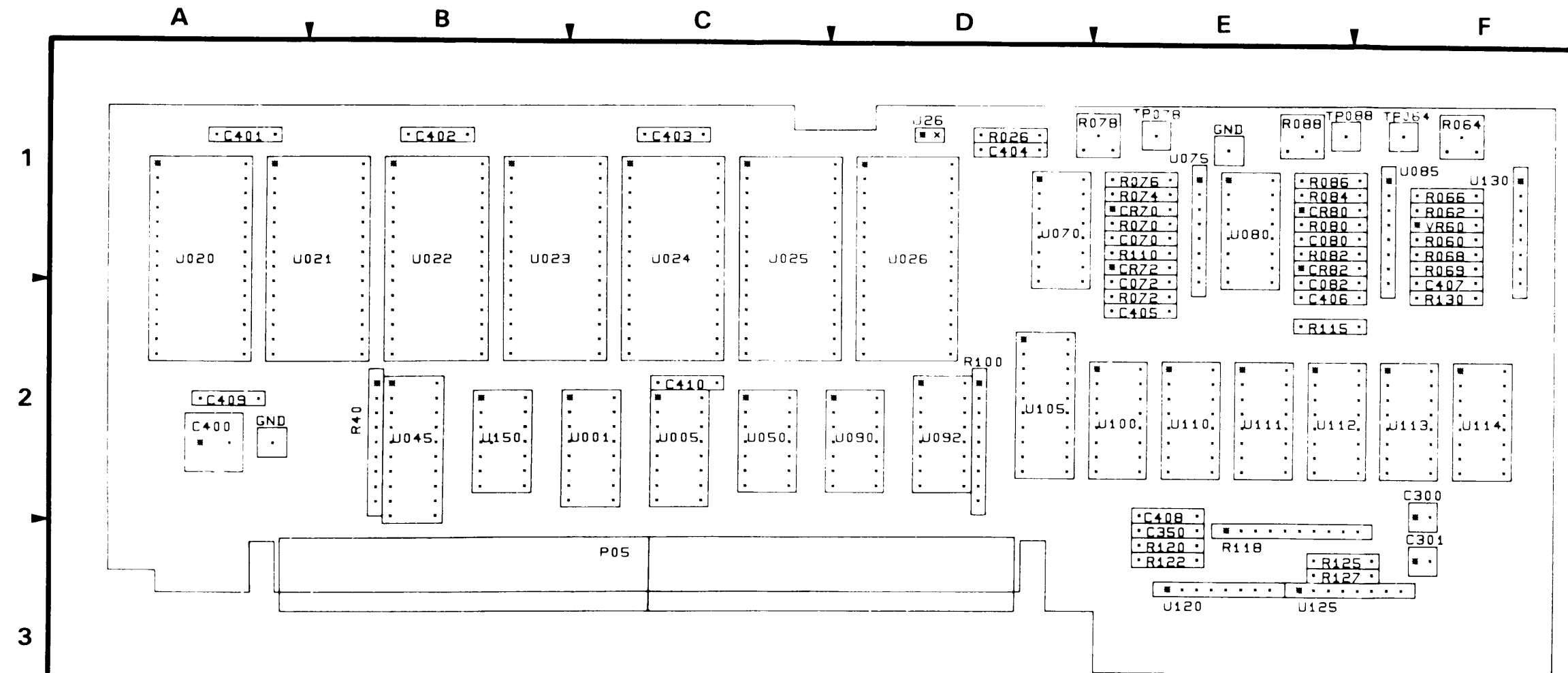
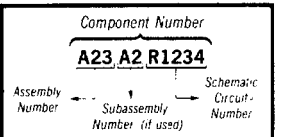


Figure 9-5. 318/338 A05 ROM/Threshold Board Component Locations

⊗ Static Sensitive Devices
See Maintenance Section

COMPONENT NUMBER EXAMPLE



Chassis-mounted components have no Assembly Number prefix - see end of Replaceable Electrical Parts List

*SEE PARTS LIST FOR SERIAL NUMBER RANGES

Table 9-12
318/338 MUP/DISPLAY <11> - ASSEMBLY A06

CIRCUIT NUMBER	SCHEMATIC LOCATION	BOARD LOCATION	CIRCUIT NUMBER	SCHEMATIC LOCATION	BOARD LOCATION
C100	A1	A1	R548	F3	D1
C106	A2	A1	R550	F3	D1
C110	A2	A2	R555	F3	D2
C116	A2	A2	R700	E3	A3
C132	C2	A2	TP100	B1	A1
C202	A5	E1	TP110	B2	B2
C220	C4	D2	U100A	A1	B1
C320	D4	D1	U100B	B1	B1
C600	F3	D1	U100C	B1	B1
C601	F3	A1	U100D	A2	B1
C602	F3	A2	U100E	B2	B1
C603	F3	B3	U100F	B2	B1
C604	F3	D1	U110A	B2	B2
C605	F32	E1	U110B	B2	B2
C606	E3	F1	U120A	B1	B2
C607	F3	F3	U120B	B1	B2
C608	F3	B1	U120C	B2	B2
C609	F3	C1	U130	C1	A3
C610	E3	C1	U134A	C2	A3
C700	F3	D1	U134D	C2	A3
C701	F3	D1	U134E	F1	A3
CR200	B5	E1	U134F	C1	A3
DS700	E3	A3	U138	C1	B3
J202	A5	E1	U200	B3	E1
P202	A5	Harmonica to J202	U210	A3	F2
Q550	F2		U212	A4	D2
R100	A1	A1	U214	B5	E2
R101	B1	A1	U216	F4	F2
R102	A1	A1	U220	B4	D2
R103	B1	A1	U230	F5	E2
R110	A2	A2	U300	E4	C2
R111	B2	A2	U310	D4	C2
R112	A2	A2	U320	D4	D2
R113	B2	A2	U400	B3	F1
R120	B2	A2	U401	C3	F1
R130	C2	A2	U500	F1	B2
R132	C2	A2	U505A	D2	C1
R200	A5	E1	U505B	E2	C1
R203	A5	E1	U505C	F2	C1
R215	A3	E2	U505D	E2	C1
R216	A3	E2	U510	D2	B1
R220	C5	D2	U515	D3	B1
R221	C4	D2	U520	E2	B1
R222	C5	D2	U525	D3	C1
R224	D5	D2	U530	E2	C2
R226	C5	D2	U540A	F1	B3
R300	E5	D2	U540B	F2	B3
R302	E5	D2	U540C	F2	B3
R306	F5	D2	U540D	F2	B3
R310	D5	C2	U540E	F2	B3
R312	D5	C2	U540F	F2	B3
R316	E5	C2	U542A	F2	C1
R320	D4	D1	U542B	F2	C1
R322	C4	D1	U542C	A5	C1
R540	F2	B3	U542D	D1	C1
R542	F2	B3	U542E	A4	C1
R544	F2	B3	U542F	D2	C1
R545	F3	B3	W500	E2	C1
R546	F2	D1	Y105	B2	A1
			Y115	B2	A2

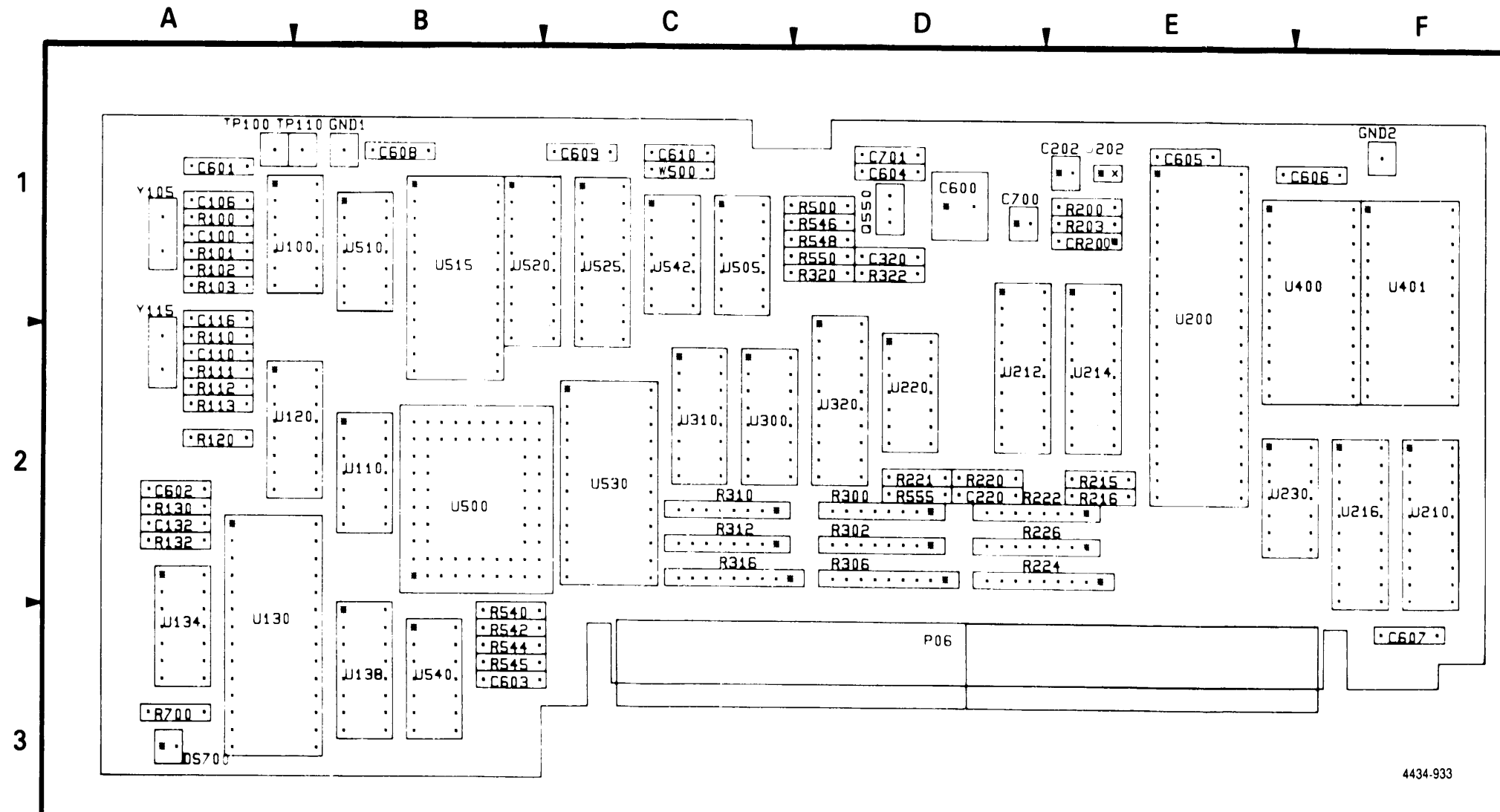
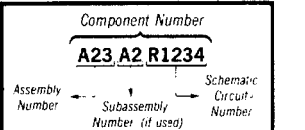


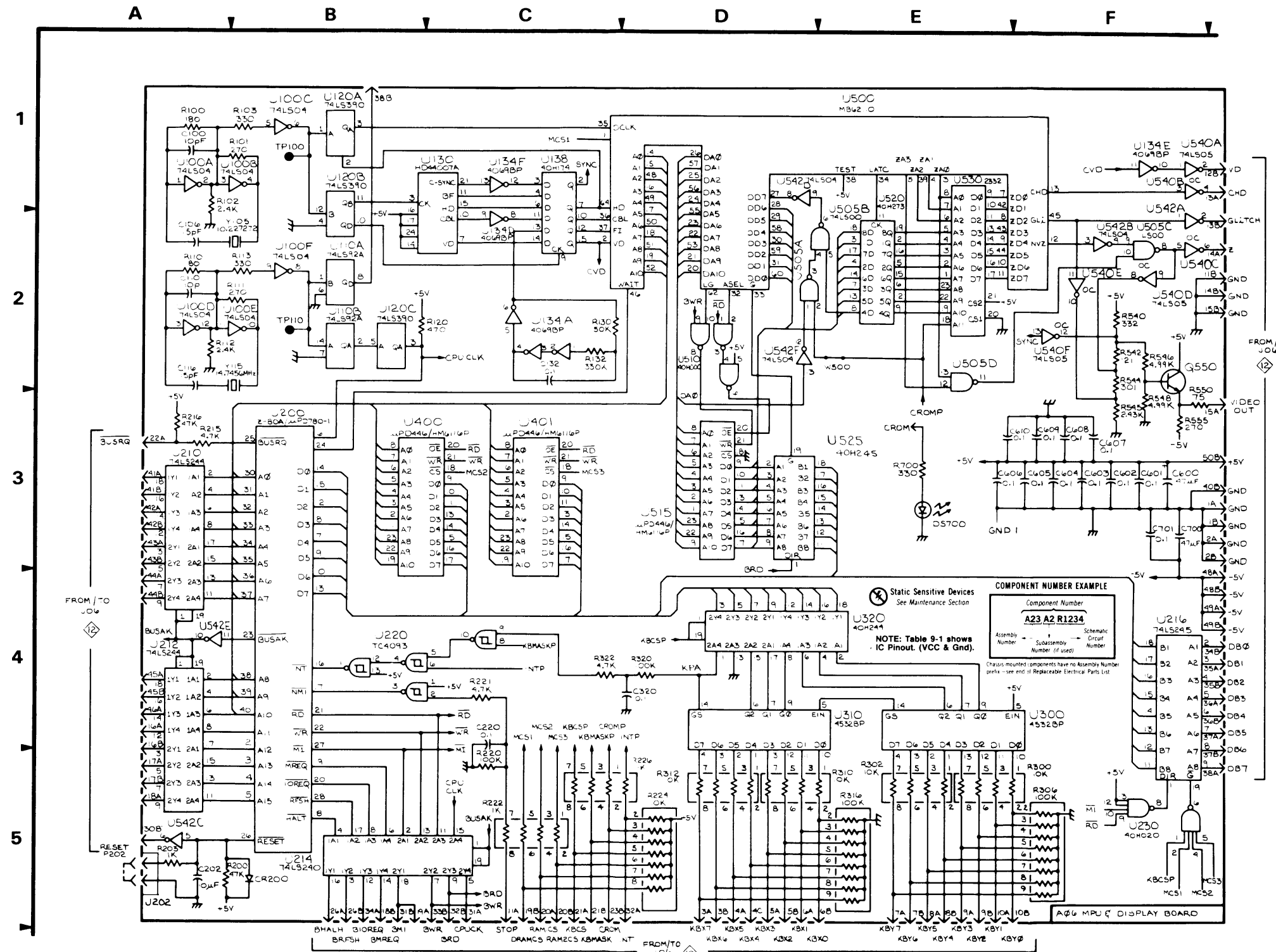
Figure 9-6. 318/338 A06 MPU/Display Board Component Locations.

Static Sensitive Devices
See Maintenance Section

COMPONENT NUMBER EXAMPLE

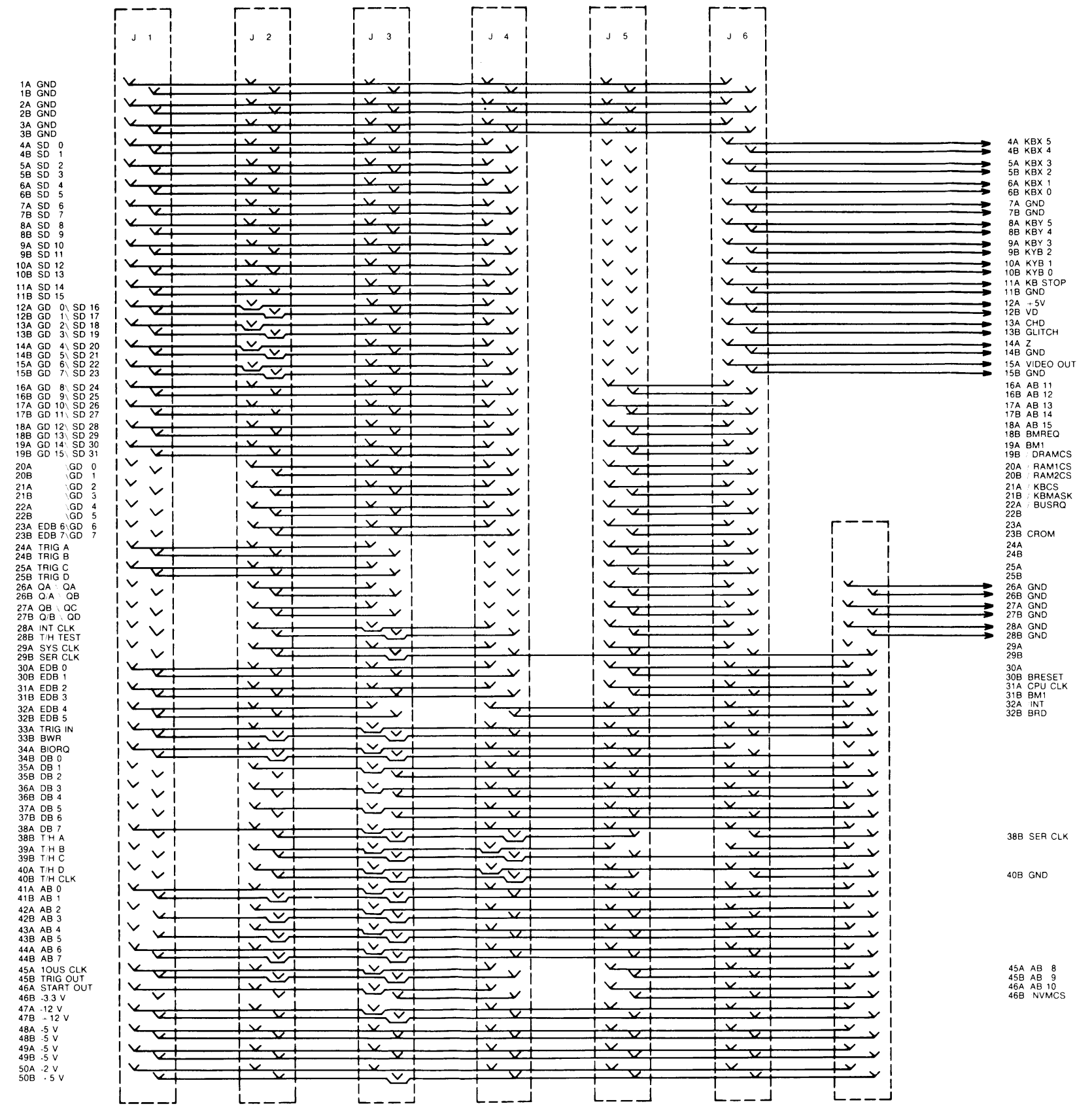


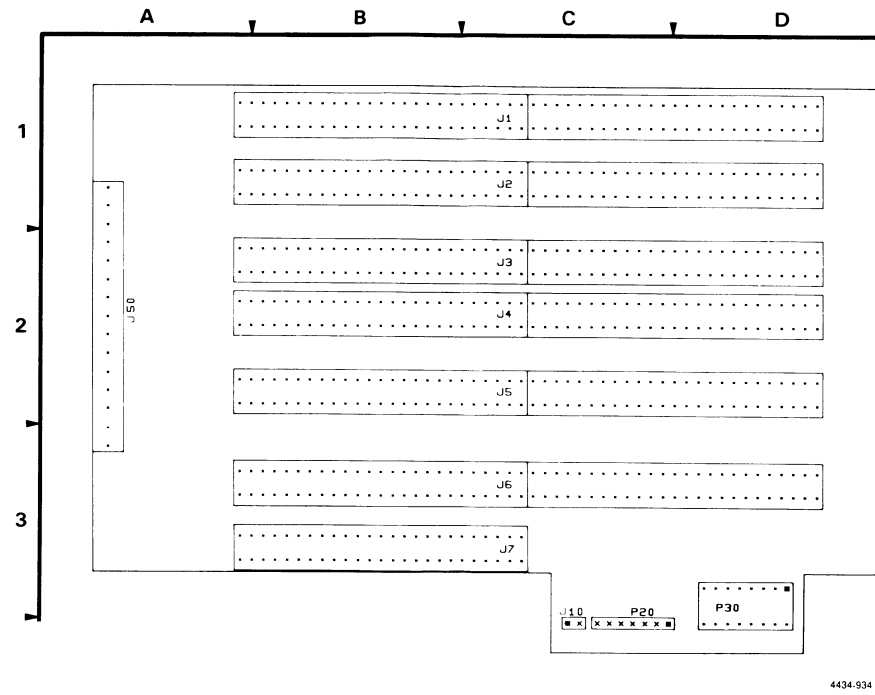
Chassis-mounted components have no Assembly Number prefix - see end of Replaceable Electrical Parts List



318/338 SERVICE

318/338 MPU & DISPLAY CKT.

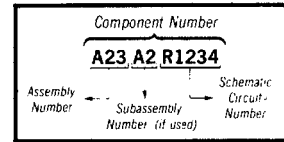




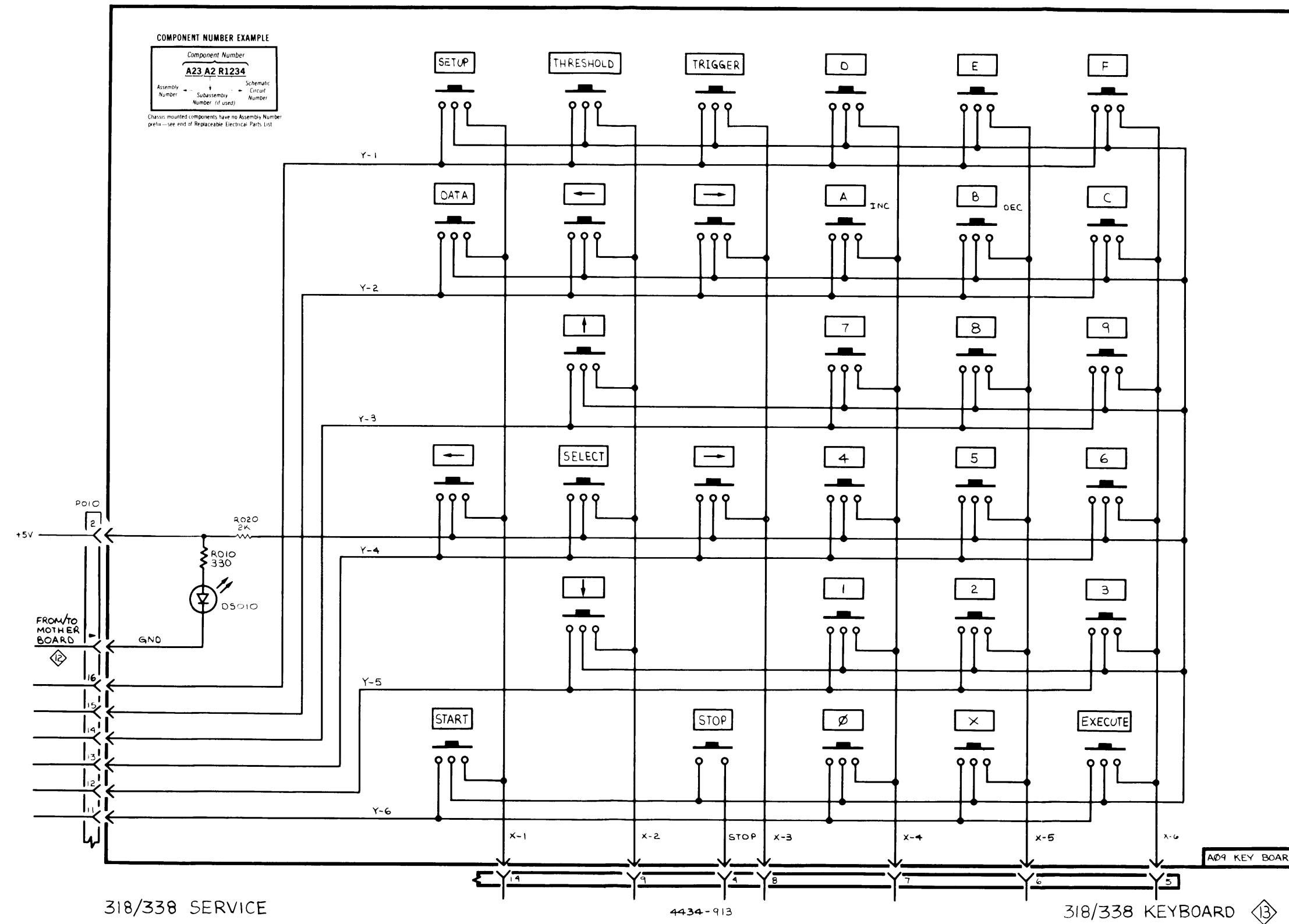
4434-934

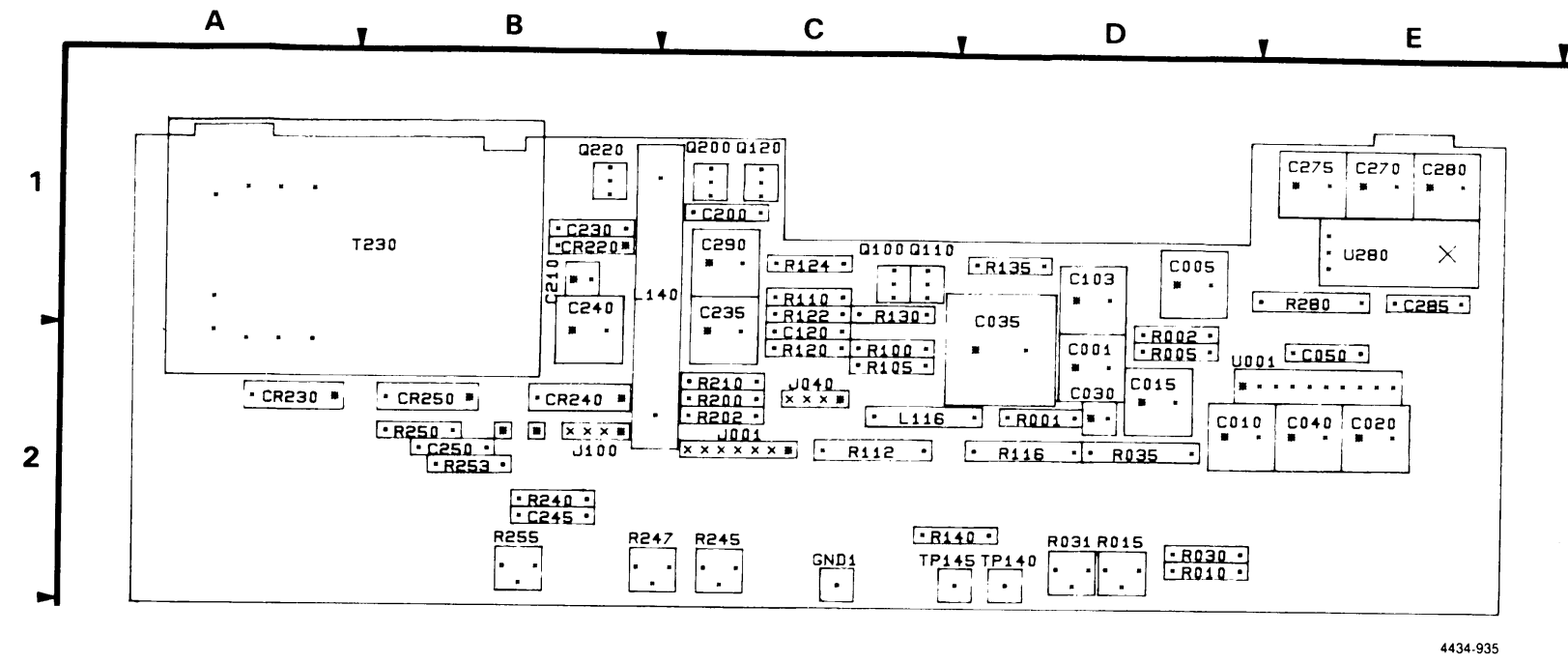
 **Static Sensitive Devices**
See Maintenance Section

COMPONENT NUMBER EXAMPLE



Chassis-mounted components have no Assembly Number prefix - see end of Replaceable Electrical Parts List





4434-935

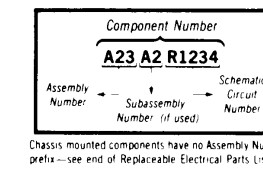


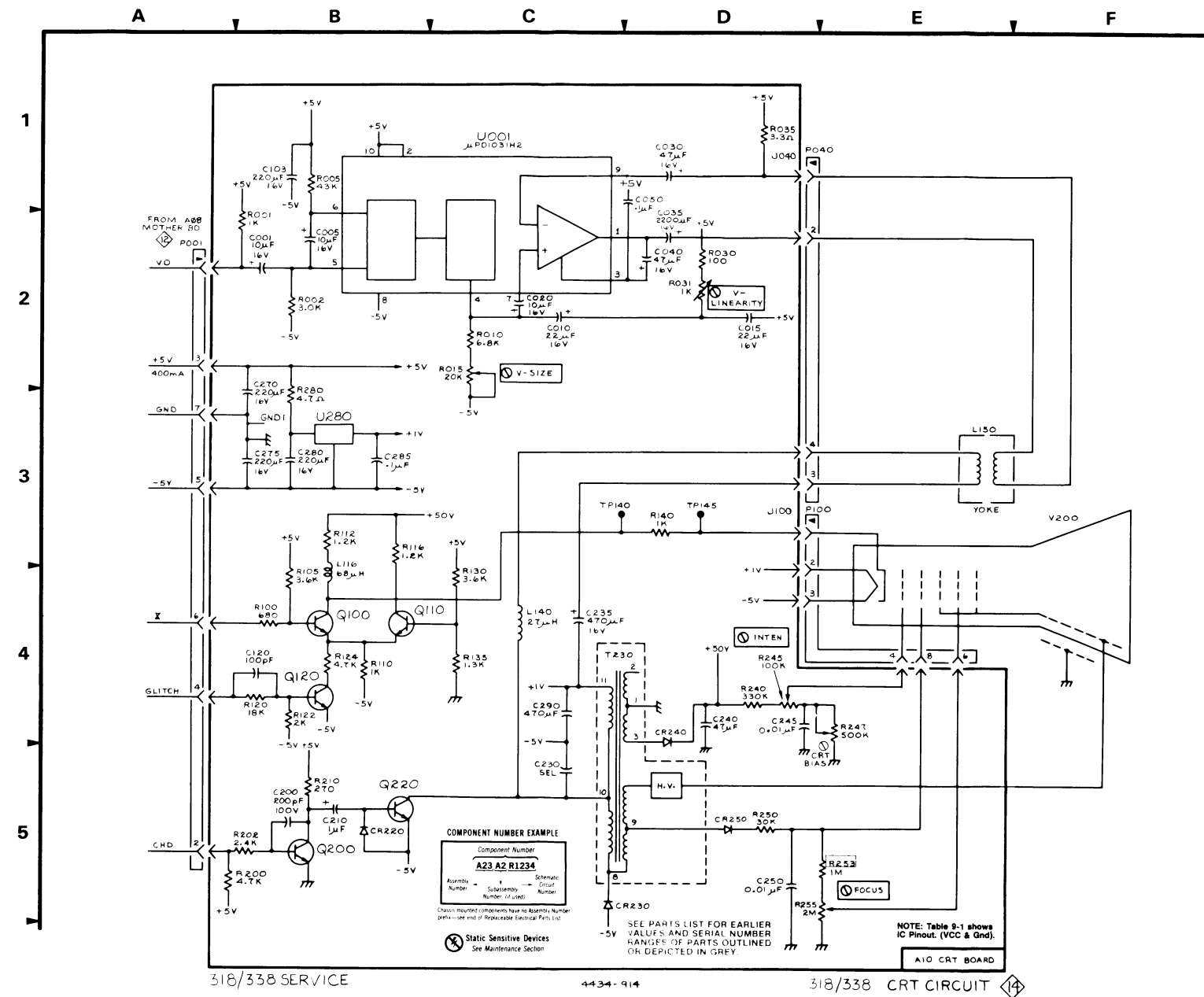
Figure 9-8. 318/338 A10 CRT Board Component Locations.

Table 9-13
318/338 CRT BOARD<14> ASSEMBLY A10

TM 11-6625-3145-14

CIRCUIT NUMBER	SCHEMATIC LOCATION	BOARD LOCATION	CIRCUIT NUMBER	SCHEMATIC LOCATION	BOARD LOCATION
C001	B2	D2	Q120	B4	C1
C005	B2	D1	Q200	B5	C1
C010	C2	D2	Q220	B5	B1
C015	D2	D2	R001	B2	D2
C020	C2	E2	R002	B2	D2
C030	D1	D2	R005	B1	D2
C035	D2	D1	R010	C2	D2
C040	D2	E2	R015	C2	D2
C050	D1	E2	R030	D2	Q2
C103	B1	D1	R031	D2	D2
C120	B4	C2	R035	D1	D2
C200	B5	C1	R100	B4	C2
C210	B5	B1	R105	B4	C2
C230	C5	B1	R110	B4	C1
C235	C4	C1	R112	B3	C2
C240	D4	B1	R116	B3	D2
C245	D4	B2	R120	B4	C2
C250	D5	B2	R122	B4	C1
C270	B3	E1	R124	B4	C1
C275	B3	E1	R130	C4	C1
C280	B3	E1	R135	C4	D1
C285	B3	E1	R140	D3	C2
C290	C4	C1	R200	B5	C2
CR220	B5	B1	R202	B5	C2
CR230	C5	A2	R210	B5	C2
CR240	D4	B2	R240	D4	B2
CR250	D5	B2	R245	D4	C2
J001	A2	C2	R247	E4	B2
J040	D1	C2	R250	D5	B2
J100	D3	B2	*R253	E5	B2
L116	B4	C2	R255	E5	B2
L140	C4	B1	R280	B3	E1
L150	E3	Off Board	T230	C4	B1
P001	A2	Off Board	TP140	C3	D2
P040	D1	Off Board	TP145	D3	D2
P100	D3	Off Board	U001	C1	E2
Q100	B4	C1	U280	B3	E1
Q110	B4	C1	V200	F3	Off Board

*SEE PARTS LIST FOR SERIAL NUMBER RANGES.



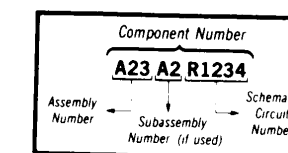
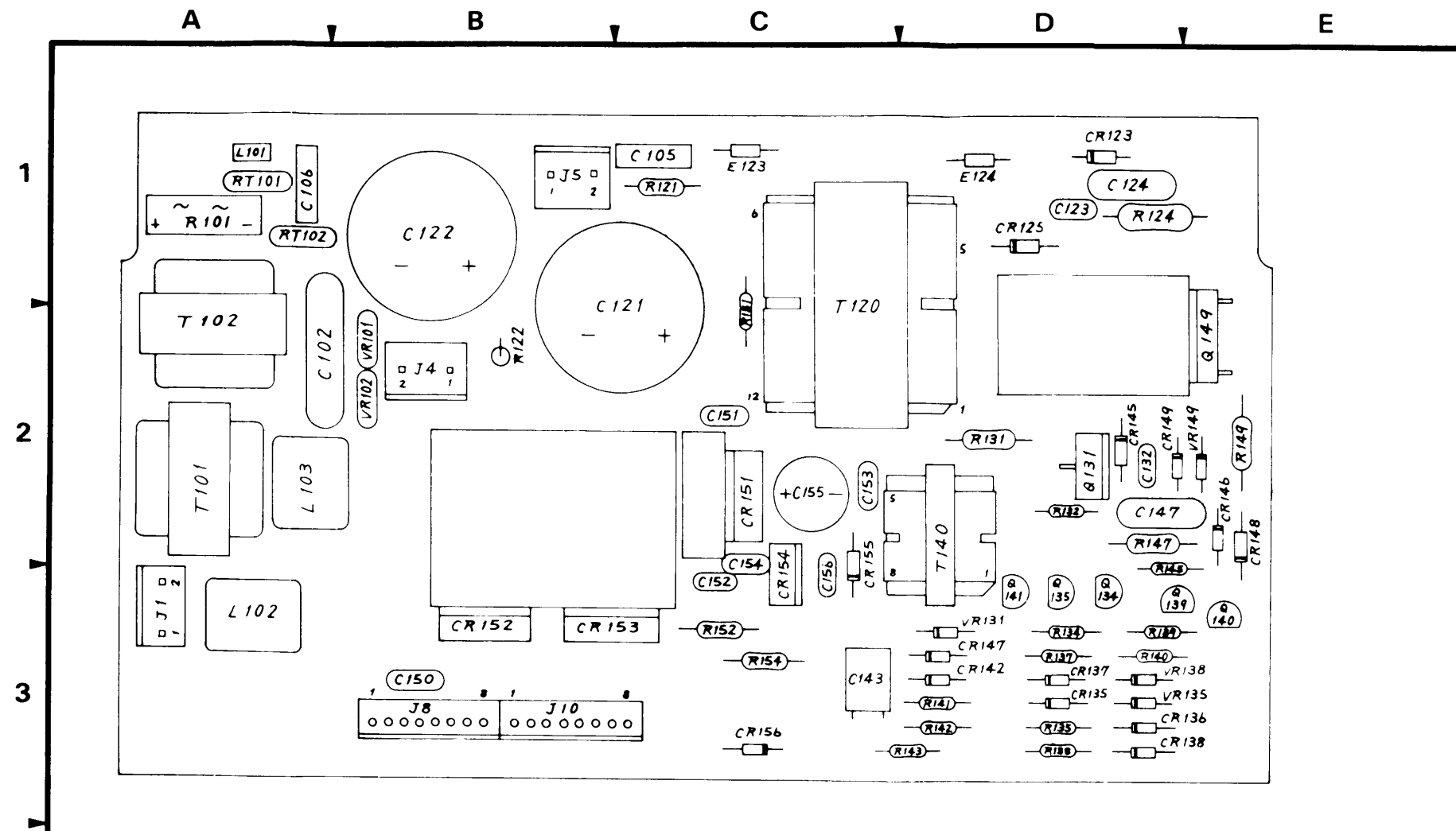
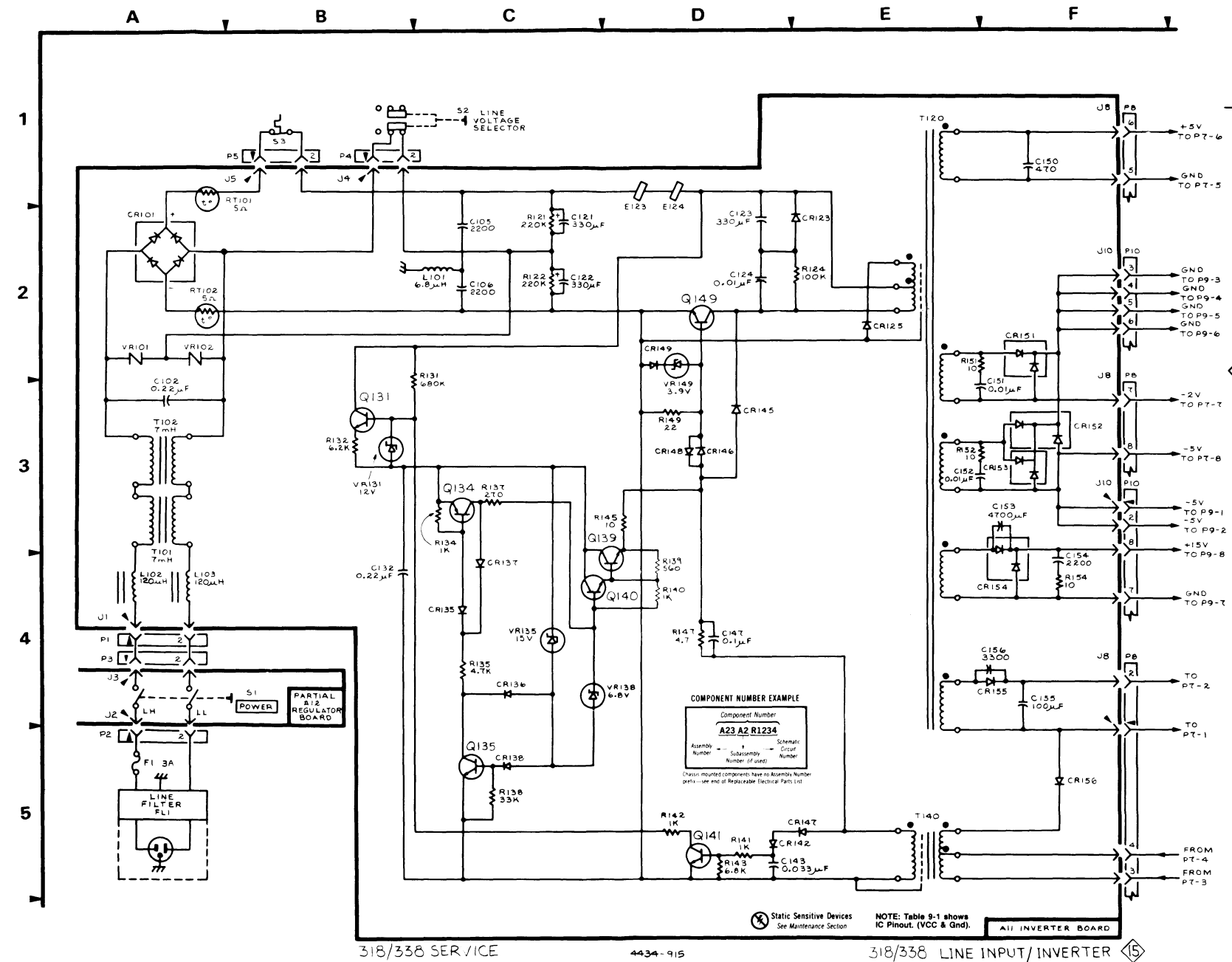
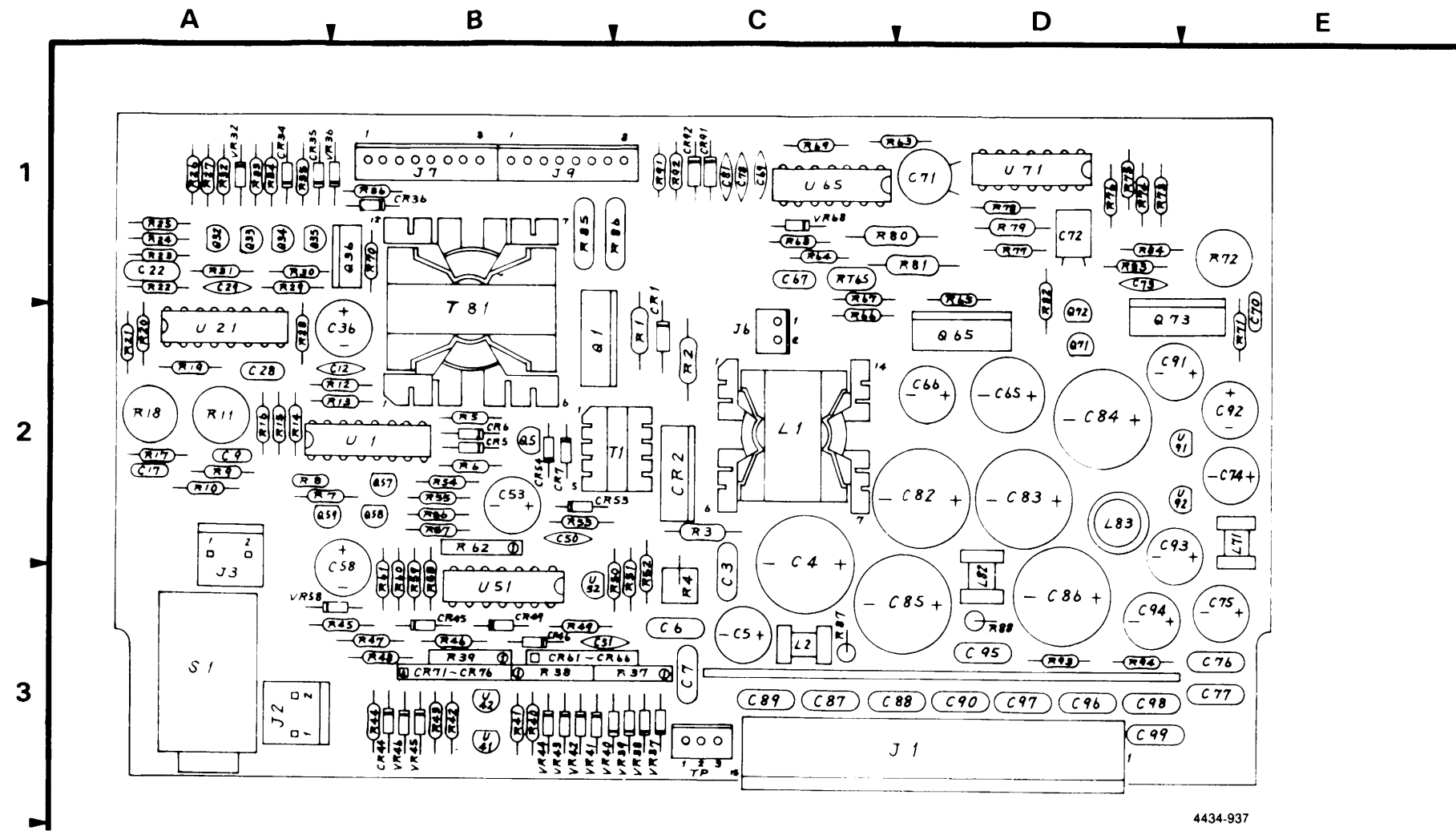


Figure 9-9. 318/338 A11 Inverter Board component Locations.

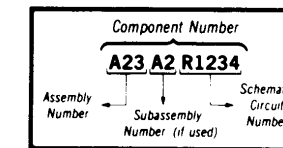
Table 9-14
318/338 INVERTER BOARD <15> - ASSEMBLY A11

CIRCUIT NUMBER	SCHEMATIC LOCATION	BOARD LOCATION	CIRCUIT NUMBER	SCHEMATIC LOCATION	BOARD LOCATION
C102	A3	A2	J8	F3	B3
C105	C2	C1	J8	F1	B3
C106	C2	A1	J8	F4	B3
C121	C2	C1	L101	C2	A1
C122	C2	B1	L102	A4	A3
C123	D2	D1	L103	A4	A2
C124	D2	D1	Q131	B3	D2
C132	B4	D2	0134	C3	D3
C143	D5	C3	Q135	C5	D3
C147	D4	D2	0139	D4	D3
C150	F1	B3	0140	C3	E3
C151	F3	C2	0141	D5	D3
C152	F3	C3	0149	D2	E2
C153	F3	C2	R121	C2	C1
C154	F4	C2	R122	C2	B2
C155	F4	C2	R124	E2	D1
C156	F4	C3	R131	C2	D2
CR101	A2	A1	R132	B3	D2
CR123	E2	D1	R134	C3	D3
CR125	E2	D1	R135	C4	D3
CR135	C4	D3	R137	C3	D3
CR136	C4	D3	R138	C5	D3
CR137	C4	D3	R139	D4	D3
CR138	C5	D3	R140	D4	D3
CR142	D5	D3	R141	D5	D3
CR145	D3	D2	R142	D5	D3
CR146	D3	E2	R143	D5	D3
CR147	E5	D3	R145	D3	D2
CR148	D3	E2	R147	D4	D2
CR149	D2	D2	R149	D3	E2
CR151	F2	C2	R151	F2	C2
CR152	F3	B3	R152	F3	C3
CR153	F3	B3	R154	F4	C3
CR154	F4	C3	RT101	A1	A1
CR155	F4	C2	RT102	A2	A1
CR156	F5	C3	S1	A4	Part of A12
E123	D2	C1	T101	A3	A2
E124	D2	D1	T102	A3	A2
F1	A5	Off Board	T120	E1	C1
J1	A4	A3	T140	E5	D2
J10	F2	B3	VR101	A2	B2
J10	F3	B3	VR102	A2	B2
J2	A4	Part of A12	VR131	B3	D3
J3	A4	Part of A12	VR135	C4	D3
J4	B1	B2	VR138	C4	D3
J5	B1	B1	VR149	D3	E2





4434-937

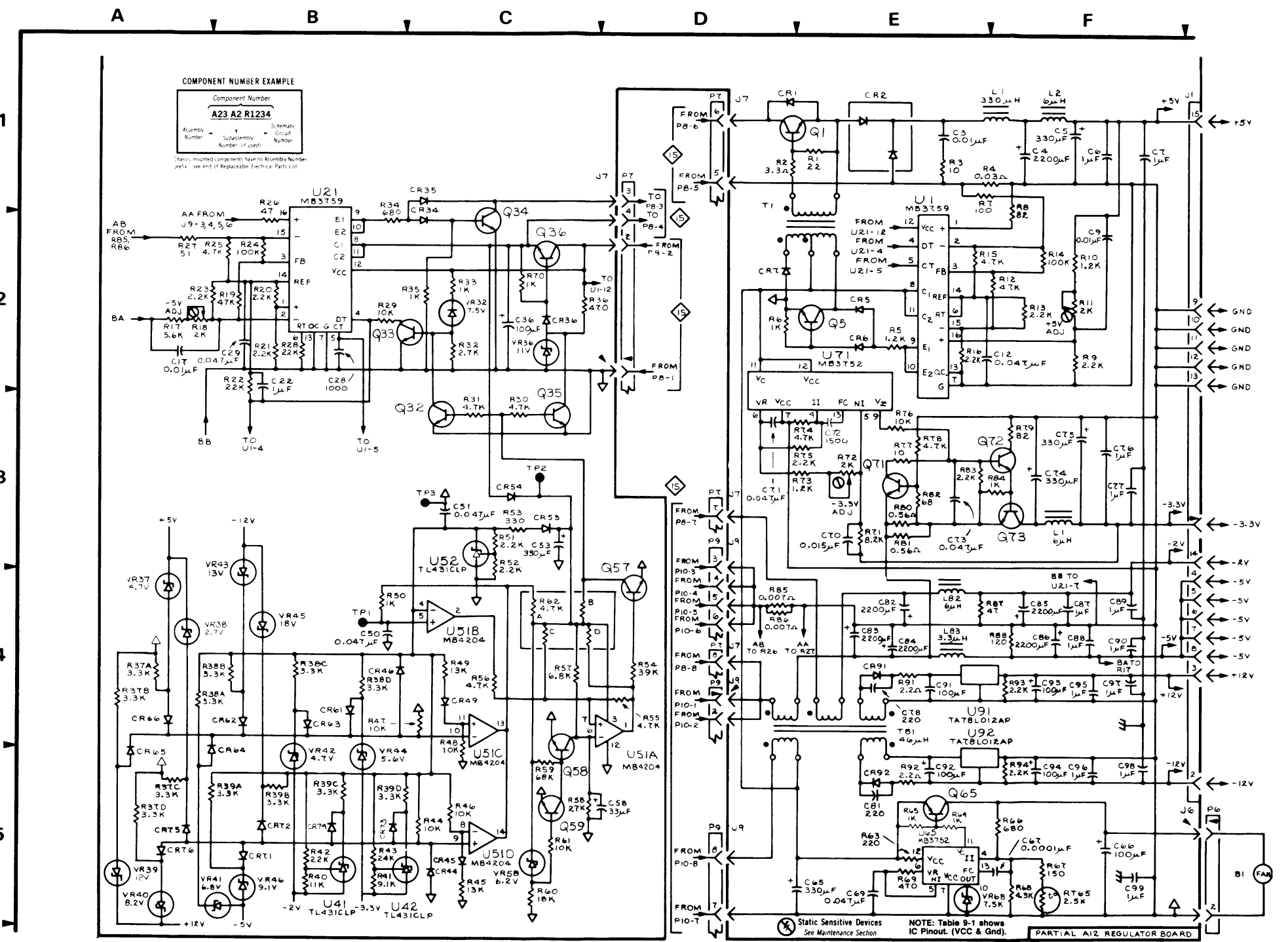


Chassis mounted components have no Assembly Number
prefix—see end of Replaceable Electrical Parts List

Figure 9-10. 318/338 A12 Regulator Board Component Locations.

Table 9-15
318/338 REGULATOR BOARD <16>- ASSEMBLY A12

CIRCUIT NUMBER	SCHEMATIC LOCATION	BOARD LOCATION	CIRCUIT NUMBER	SCHEMATIC LOCATION	BOARD LOCATION	CIRCUIT NUMBER	SCHEMATIC LOCATION	BOARD LOCATION
C12	F2	B2	J7	D4	B1	R53	C3	B2
C17	A2	A2	J7	D1	B1	R54	D4	B2
C22	B2	A1	J9	D4	B1	R55	D4	B2
C28	B2	A2	J9	D3	B1	R56	C4	B3
C29	B2	A1	J9	D5	B1	R57	C4	B3
C3	E1	C3	L1	F1	C2	R58	C5	B3
C36	C2	B2	L2	F1	C3	R59	C5	B3
C4	F1	C2	L71	F3	E2	R6	D2	B2
C5	F1	C3	L82	E4	D3	R60	C5	B3
C50	B4	B3	L83	E4	D2	R61	C5	B3
C51	C3	B3	Q1	E1	B2	R62A	C4	B2
C53	C3	B3	Q32	C3	A1	R62B	C4	B2
C58	D5	B3	Q33	C2	A1	R62C	C4	B2
C6	F1	C3	Q34	C2	A1	R62D	C4	B2
C65	E5	D2	Q35	C3	A1	R63	E5	D1
C66	F5	D2	Q36	C2	B1	R64	E5	C1
C67	F5	C1	Q5	E2	B2	R65	E5	D1
C69	E5	C1	Q57	D4	B2	R66	F5	C2
C7	F1	C3	Q58	C4	B2	R67	F5	C1
C70	E3	E2	Q59	C5	B3	R68	F5	C1
C71	D3	D1	Q65	E5	D2	R69	E5	C1
C72	E3	D1	Q71	E3	D2	R7	E1	A2
C73	E3	D1	Q72	F2	D2	R70	C2	B1
C74	F3	E2	Q73	F3	D2	R71	E3	E2
C75	F3	E3	R1	E1	C2	R72	E3	E1
C76	F3	E3	R10	F2	A2	R73	E3	D1
C77	F3	E3	R11	F2	A2	R74	E3	D1
C78	E4	C1	R12	F2	B2	R75	E3	D1
C81	E5	C1	R13	F2	B2	R76	E3	D1
C82	E4	D2	R14	F2	A2	R77	E3	D1
C83	E4	D2	R15	E2	A2	R78	E3	D1
C84	E4	D2	R16	E2	A2	R79	F3	D1
C85	F4	D3	R17	A2	A2	R8	F1	A2
C86	F4	D3	R18	A2	A2	R80	E3	C1
C87	F4	C3	R19	B2	A2	R81	E3	D1
C88	F4	D3	R2	D1	C2	R82	E3	D1
C89	F4	C3	R20	B2	A2	R83	E3	D1
C9	F2	A2	R21	B2	A2	R84	F3	D1
C90	F4	D3	R22	B2	A1	R85	D4	B1
C91	E4	D2	R23	A2	A1	R86	D4	C1
C92	E5	E2	R24	B2	A1	R87	E4	C3
C93	F4	D2	R25	B2	A1	R88	F4	D3
C94	F5	D3	R26	B2	A1	R9	F2	A2
C95	F4	D3	R27	A2	A1	R91	E4	C1
C96	F5	D3	R28	B2	A2	R92	E5	C1
C97	F4	D3	R29	B2	A1	R93	F4	D3
C98	F5	D3	R3	E1	C2	R94	F5	D3
C99	F5	D3	R30	C3	A1	RT65	F5	C1
CR1	D1	C2	R31	C3	A1	S1	On D1a. 15	A3
CR2	E1	C2	R32	C2	A1	T1	D1	C2
CR34	C2	A1	R33	C2	A1	T81	E4	B2
CR35	C1	A1	R34	B2	A1	TP1	B4	C3
CR36	C2	B1	R35	C2	A1	TP2	C3	C3
CR44	C5	B3	R36	C2	B1	TP3	C3	C3
CR45	C5	B3	R37A	A4	C3	U1	E2	B2
CR46	B4	B3	R37B	A4	C3	U21	B2	A2
CR49	C4	B3	R37C	A5	C3	U41	B5	B3
CR5	E2	B2	R37D	A5	C3	U42	C5	B3
CR53	C3	B3	R38A	A4	B3	U51A	D4	B3
CR54	C3	B3	R38B	B4	B3	U51B	C4	B3
CR6	E2	B2	R38C	B4	B3	U51C	C4	B3
CR61	B4	B3	R38D	B4	B3	U51D	C5	B3
CR62	B4	B3	R39A	B5	B3	U52	C3	B3
CR63	B4	B3	R39B	B5	B3	U65	E5	C1
CR64	B5	B3	R39C	B5	B3	U71	E2	D1
CR65	A5	B3	R39D	C5	B3	U91	E4	E2
CR66	A4	B3	R4	E1	C3	U92	E4	E2
CR7	D2	B3	R40	B5	B3	VR32	C2	A1
CR71	B5	B3	R41	B5	B3	VR36	C2	B1
CR72	B5	B3	R42	B5	B3	VR37	A4	C3
CR73	B5	B3	R43	B5	B3	VR38	A4	C3
CR74	B5	B3	R44	C5	B3	VR39	A5	C3
CR75	A5	B3	R45	C5	B3	VR40	A5	B3
CR76	A5	B3	R46	C5	B3	VR41	B5	B3
CR91	E4	C1	R47	C4	B3	VR42	B5	B3
CR92	E5	C1	R48	C5	B3	VR43	B4	B3
J1	F1	D3	R49	C4	B3	VR44	B5	B3
J2	On D1a. 15	A3	R5	E2	B2	VR45	B4	B3
J3	On D1a. 15	A2	R50	B4	B3	VR46	B5	B3
J6	F5	C2	R51	C3	C3	VR58	C5	B3
J7	D3	B1	R52	C3	C3	VR68	E5	C1



318/338 INVERTER CONTROL/REGULATOR

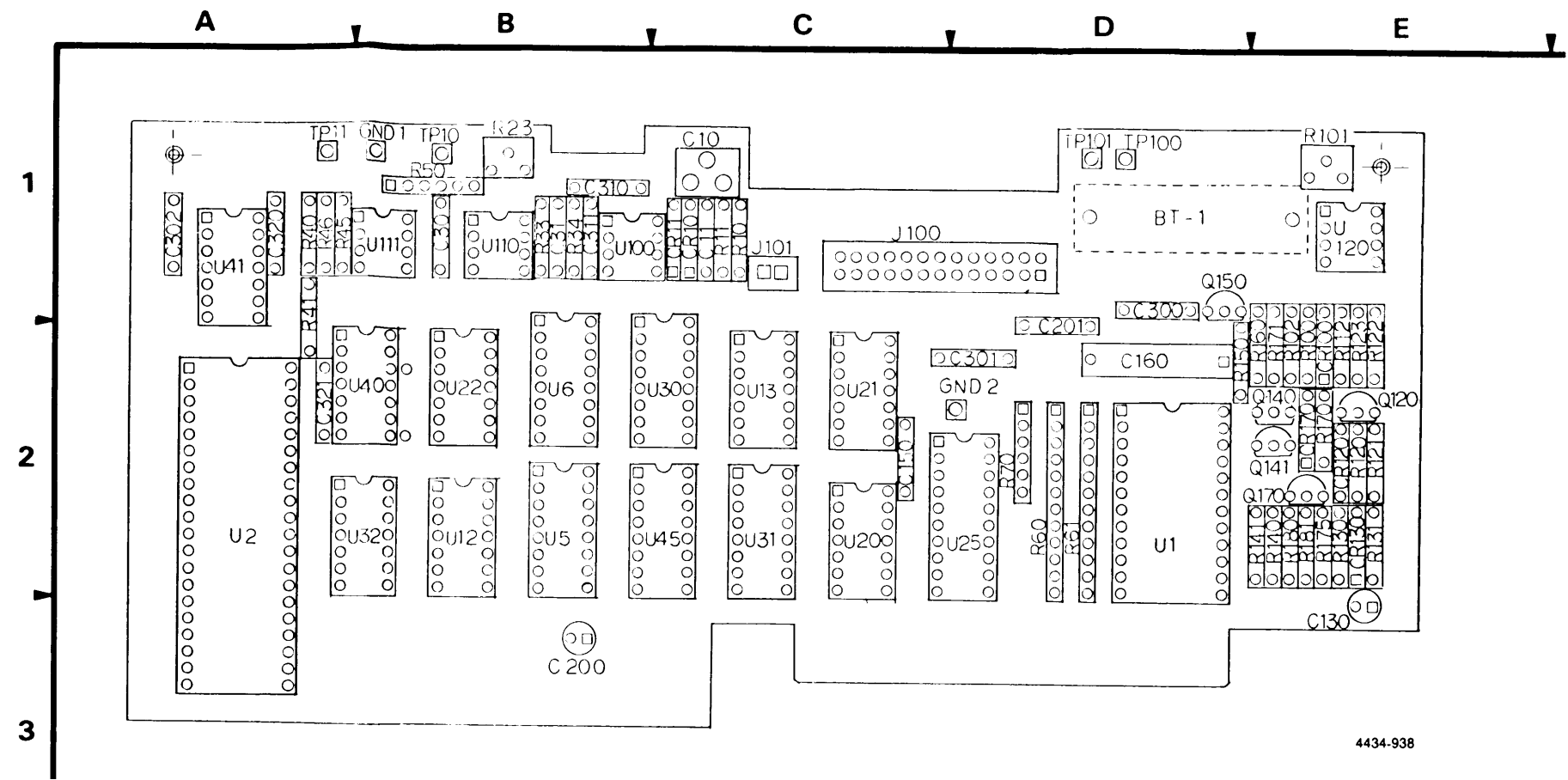
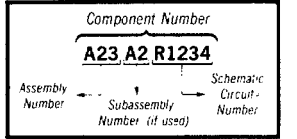


Figure 9-11. 318S1/338S1 A07 Serial/RS232/Non-Volatile Memory Board Component Locations.

⊗ Static Sensitive Devices
See Maintenance Section

COMPONENT NUMBER EXAMPLE

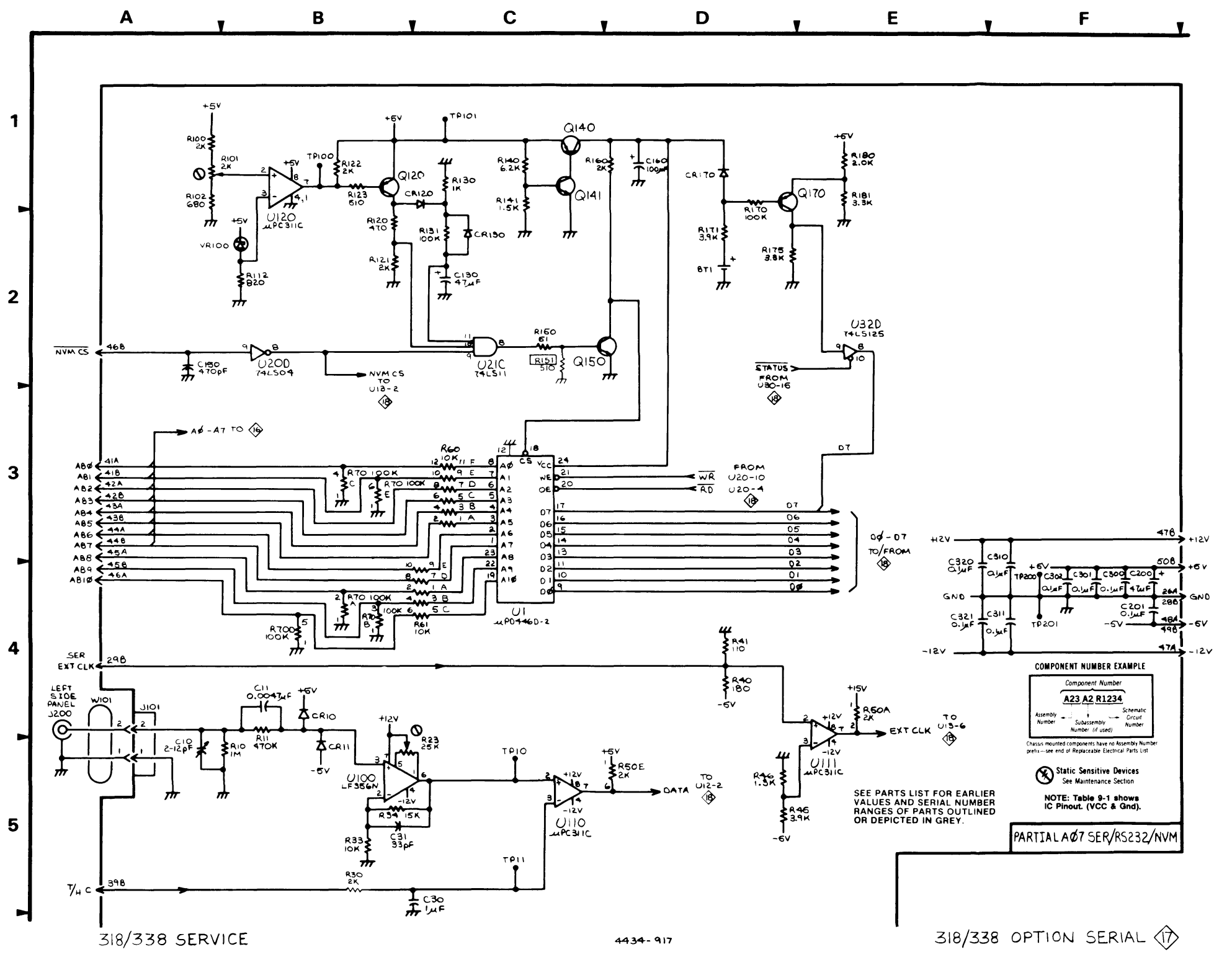


Chassis-mounted components have no Assembly Number prefix - see end of Replaceable Electrical Parts list

Table 9-16
318S1/338S1 OPTION SERIAL <17> SERIAL/RS232/NON-VOLATILE MEMORY BD.
ASSEMBLY A07

CIRCUIT NUMBER	SCHEMATIC LOCATION	BOARD LOCATION	CIRCUIT NUMBER	SCHEMATIC LOCATION	BOARD LOCATION
BT1	D2	D1	R141	C1	E2
C10	A5	C1	R150	C2	D2
C11	B4	C1	*R151	C2	E2
C130	C2	E2	R161	C1	E2
C150	A2	D1	R170	D1	E2
C160	D1	D2	R171	D2	E2
C200	F4	B3	R175	D2	E2
C201	F4	D1	R180	E1	E2
C30	B5	B1	R181	E1	E2
C300	F4	D1	R23	B5	B1
C301	F4	D2	R30	B5	B1
C302	F4	A1	R33	B5	B1
C31	B5	B1	R34	B5	B1
C310	F4	B1	R40	D4	A1
C311	F4	B1	R41	D4	A1
C320	E2	A1	R45	D5	A1
C321	E2	A2	R46	D5	A1
CR10	B4	C1	R50A	E2	B1
CR11	B5	C1	R50E	D5	B1
CR120	C1	E2	R60	C3	D2
CR130	C2	E2	R61	C4	D2
CR170	D1	E2	R70A	B4	D2
J101	A4	C1	R70B	B4	D2
J200	A4	BNC to side panel	R70C	B3	D2
			R70D	B4	D2
			R70E	B3	D2
Q120	B1	E2	TP10	C5	B1
Q140	C1	E2	TP100	B1	D1
Q141	C1	E2	TP101	C1	D1
Q150	C2	D1	TP11	C5	A1
Q170	D1	E2	U1	C3	D2
R10	B5	C1	U100	B5	B1
R100	A1	E2	U110	C5	B1
R101	A1	E1	U111	E2	B1
R102	A1	E2	U120	B1	E1
R11	B4	C1	U20D	B2	C2
R112	B2	E2	U21C	C2	C2
R120	B2	E2	U32B	E2	B2
R121	B2	E2	VR100	B2	E2
R122	B1	E2	W101	A4	Off Board
R123	B1	E2			
R130	C1	E2			
R131	C2	E2			
R140	C1	E2			

*SEE PARTS LIST FOR SERIAL NUMBER RANGES.



Component Number Example			
Component Number	A23 A2 R1234		
Assembly Number	Subassembly Number	Schematic Number	
1	2	3	

Chassis mounted components have no Assembly Number prefix - see end of Replaceable Electrical Parts List
See Maintenance Section

Static Sensitive Devices
See Maintenance Section

NOTE: Table 9-1 shows IC Pinout, (VCC & Gnd).

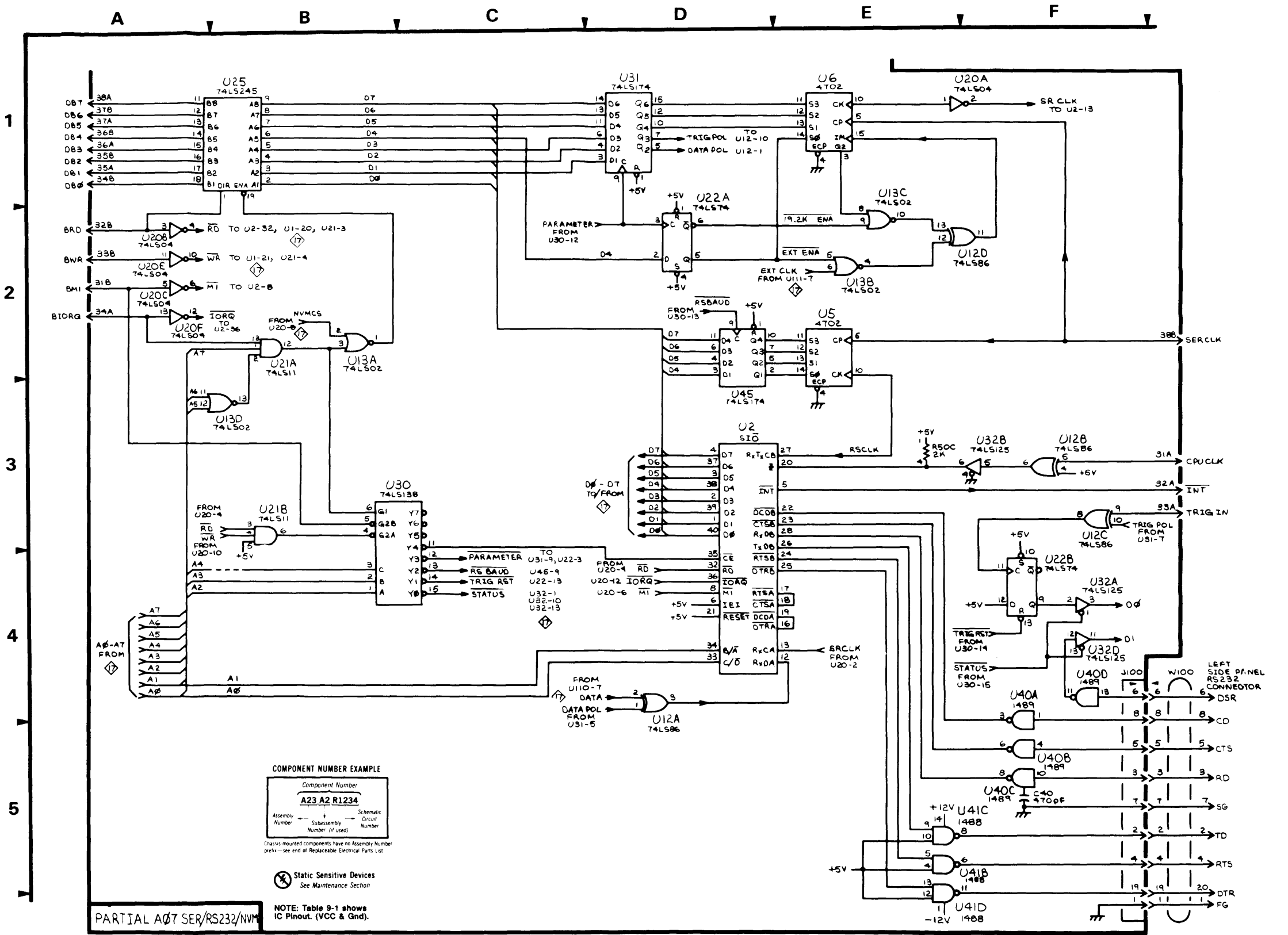
318/338 SERVICE

4434-917

318/338 OPTION SERIAL <17>

Table 9-17
318S1/338S1 SERIAL ACQ/RS232 <18> SER/RS232/NON-VOLATILE MEMORY BD.
ASSEMBLY A07

CIRCUIT NUMBER	SCHEMATIC LOCATION	BOARD LOCATION	CIRCUIT NUMBER	SCHEMATIC LOCATION	BOARD LOCATION
C40	F5	B2	U22A	D2	B2
J100	F4	C1	U22B	F4	B2
R50C	E3	B1	U25	B1	D2
U12A	D4	B2	U30	C3	C2
U12B	F3	D1	U31	B2	C2
U12C	F3	B2	U32A	F4	B2
U12D	F2	B2	U32B	F3	B2
U13A	B2	C2	U32E	F4	B2
U13B	E2	C2	U40A	F4	B2
U13C	E2	C2	U40B	F5	B2
U13D	B3	C2	U40C	F5	B2
U2	D4	A2	U40D	F4	B2
U20A	E1	C2	U41B	E5	A1
U20B	A2	C2	U41C	E5	A1
U20C	A2	C2	U41D	E5	A1
U20E	A2	C2	U45	D2	C2
U20F	A2	C2	U5	E2	B2
U21A	B2	C2	U6	E1	B2
U21B	B3	C2	W100	F4	Off Board



318/338 SERVICE

4434-918

318/338 SERIAL ACQ/RS-232

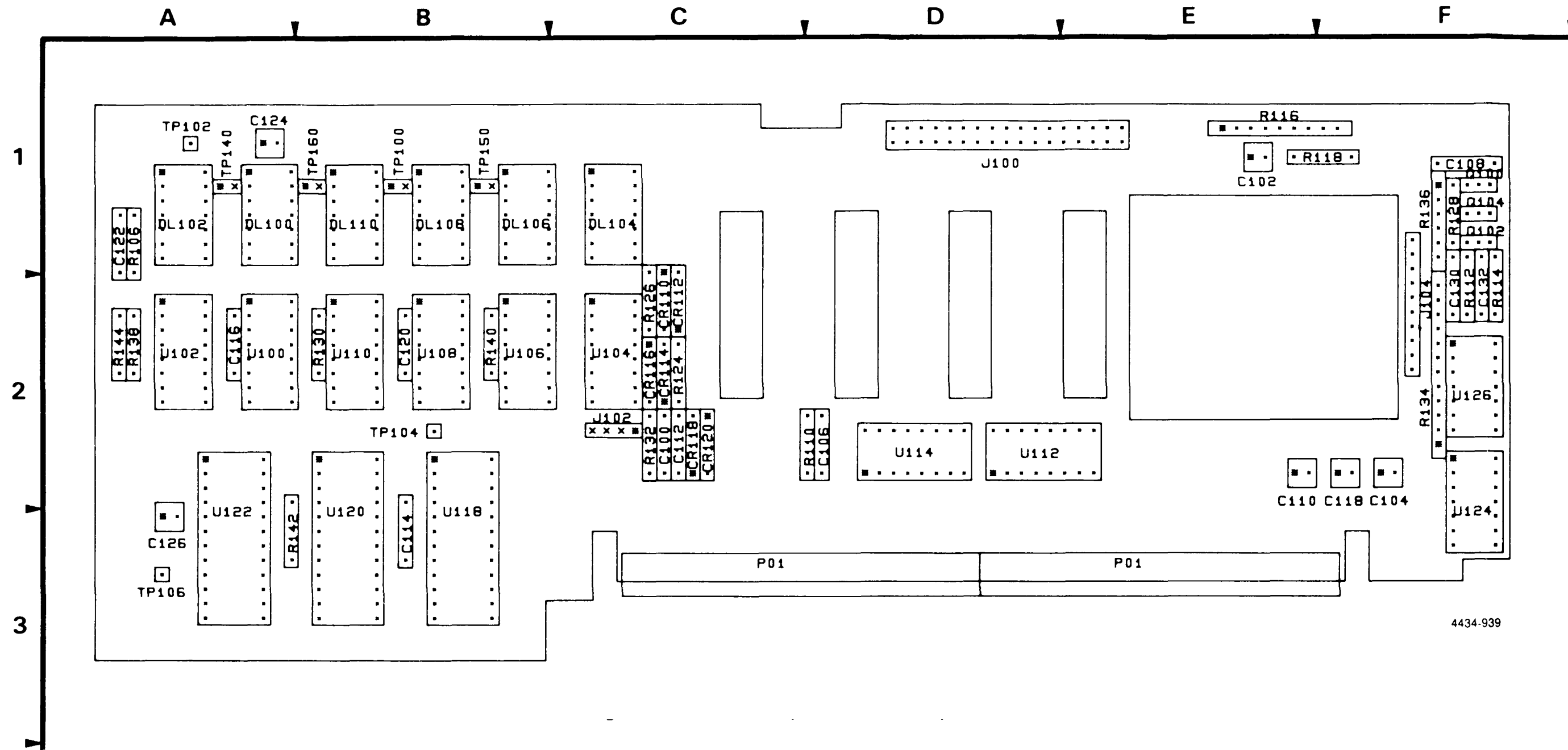
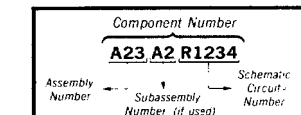


Figure 9-12. 338 A01 Input-A Board Component Locations.

⊗ Static Sensitive Devices
See Maintenance Section

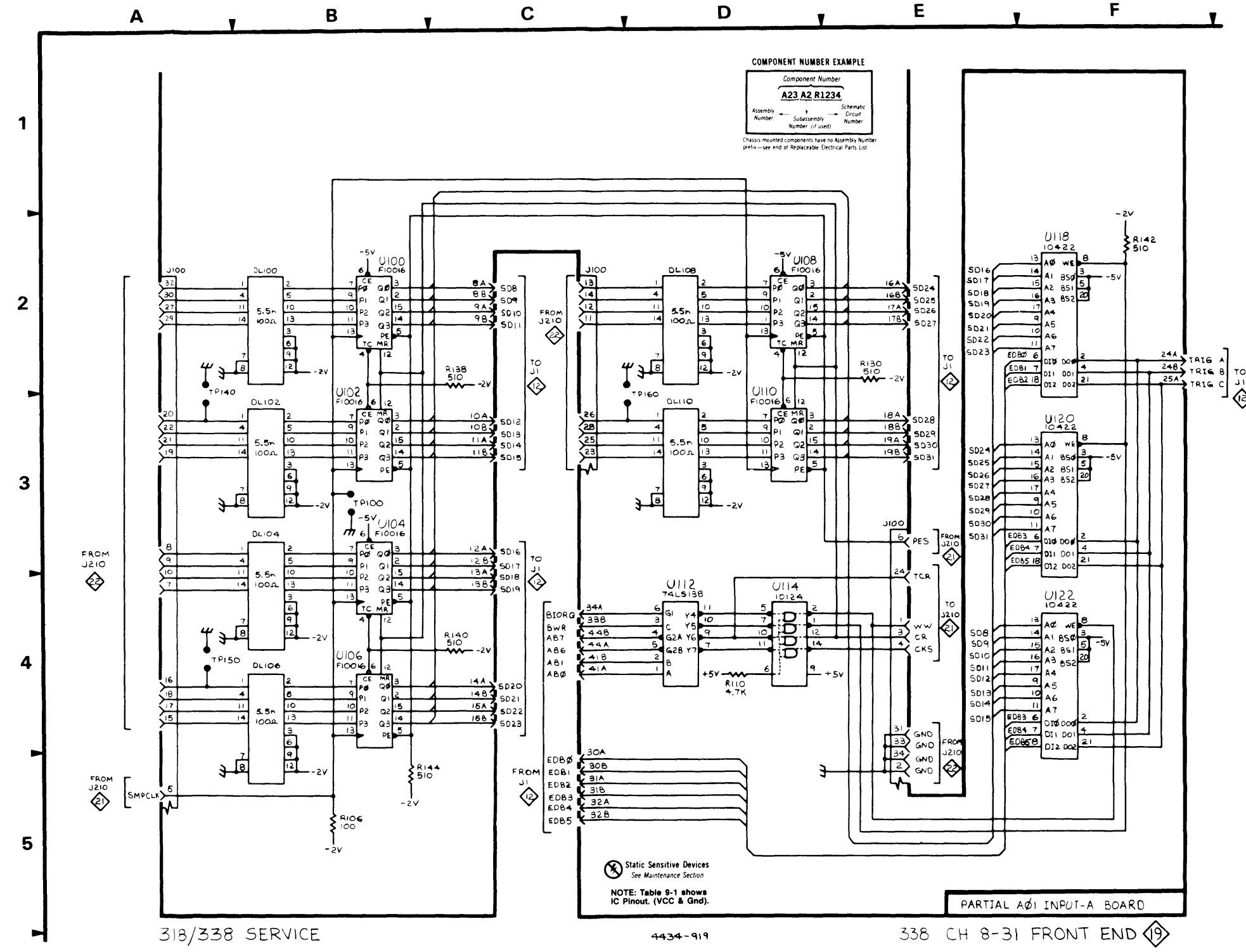
COMPONENT NUMBER EXAMPLE

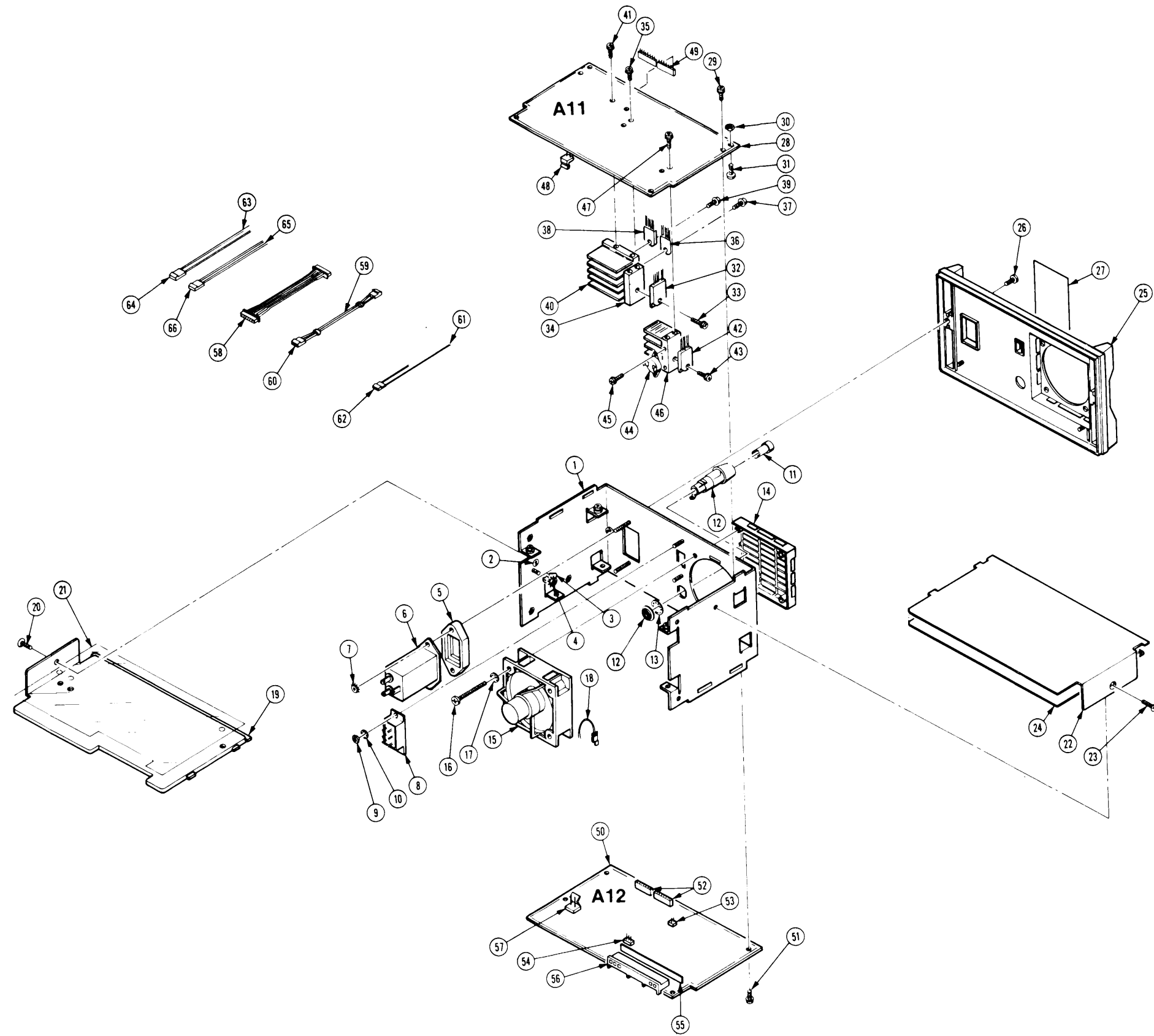


Chassis-mounted components have no Assembly Number prefix - see end of Replaceable Electrical Parts List

Table 9-18
338 CH 8-31 FRONT END <19> - INPUT-A BOARD, ASSEMBLY A01

CIRCUIT NUMBER	SCHEMATIC LOCATION	BOARD LOCATION	CIRCUIT NUMBER	SCHEMATIC LOCATION	BOARD LOCATION
DL100	B2	A1	TP100	B3	B1
DL102	B3	A1	TP140	A2	A1
DL104	B4	C1	TP150	A4	B1
DL106	B4	B1	TP160	D3	B1
DL108	D2	B1	U100	B2	A2
J100	E3	D1	U102	B3	A2
J100	A2	D1	U104	B4	C2
J100	C2	D1	U106	B4	B2
R106	B5	A1	U108	D2	B2
R110	D4	D2	U110	D3	B2
R130	E2	B2	U112	D4	D2
R138	C2	A2	U114	D4	D2
R140	C4	B2	U118	F2	B3
R142	F2	B3	U120	F3	B3
R144	B5	A2	U122	F4	A3





RECOMMENDED CHANGES TO EQUIPMENT TECHNICAL PUBLICATIONS



THEN... JOT DOWN THE DOPE ABOUT IT ON THIS FORM. CAREFULLY TEAR IT OUT, FOLD IT AND DROP IT IN THE MAIL!

SOMETHING WRONG WITH THIS PUBLICATION?

FROM: (PRINT YOUR UNIT'S COMPLETE ADDRESS)

DATE SENT

PUBLICATION NUMBER PUBLICATION DATE PUBLICATION TITLE

BE EXACT... PIN-POINT WHERE IT IS				IN THIS SPACE TELL WHAT IS WRONG AND WHAT SHOULD BE DONE ABOUT IT:
PAGE NO.	PARA-GRAPH	FIGURE NO.	TABLE NO.	

PRINTED NAME, GRADE OR TITLE, AND TELEPHONE NUMBER

SIGN HERE:

DA FORM 2028-2
1 JUL 79

PREVIOUS EDITIONS ARE OBSOLETE.

P.S.—IF YOUR OUTFIT WANTS TO KNOW ABOUT YOUR RECOMMENDATION MAKE A CARBON COPY OF THIS AND GIVE IT TO YOUR HEADQUARTERS.

TEAR ALONG PERFORATED LINE

PIN: 058584